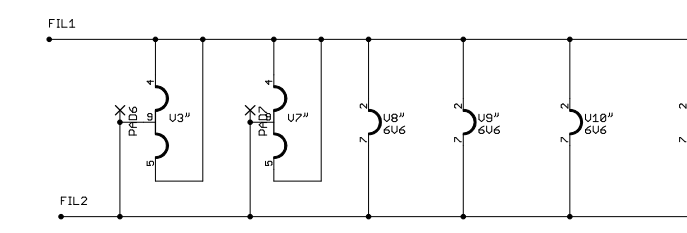
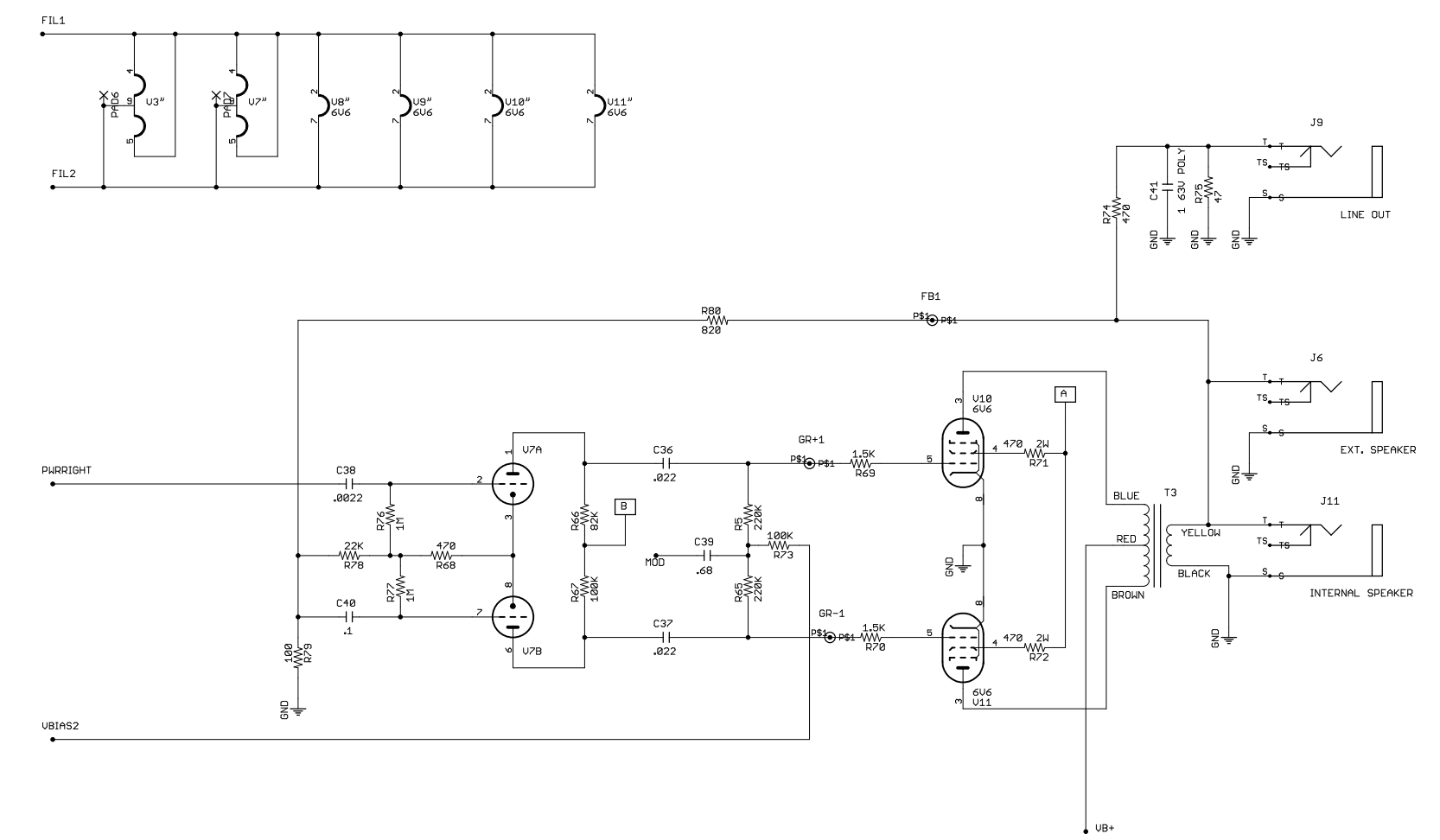
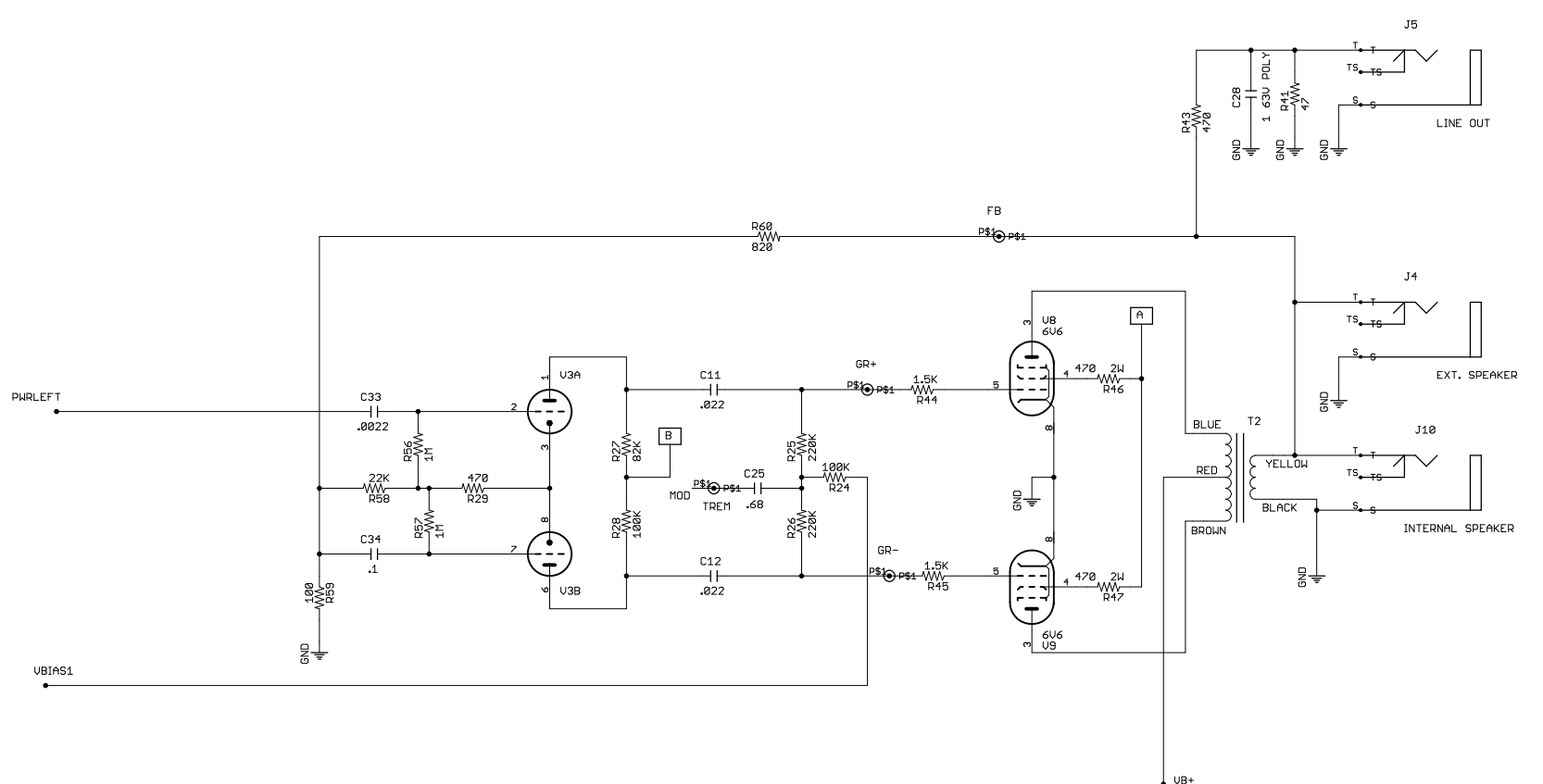


PCB 06-102-02
 ASSY 07-102-02

JUNE 9, 2015

MAGNATONE	
TITLE: 07S102 Twilighter Stereo schematic rev 2	
Document Number:	REV: 3
Date: 6/17/2015 7:40:50 PM	Sheet: 1/3



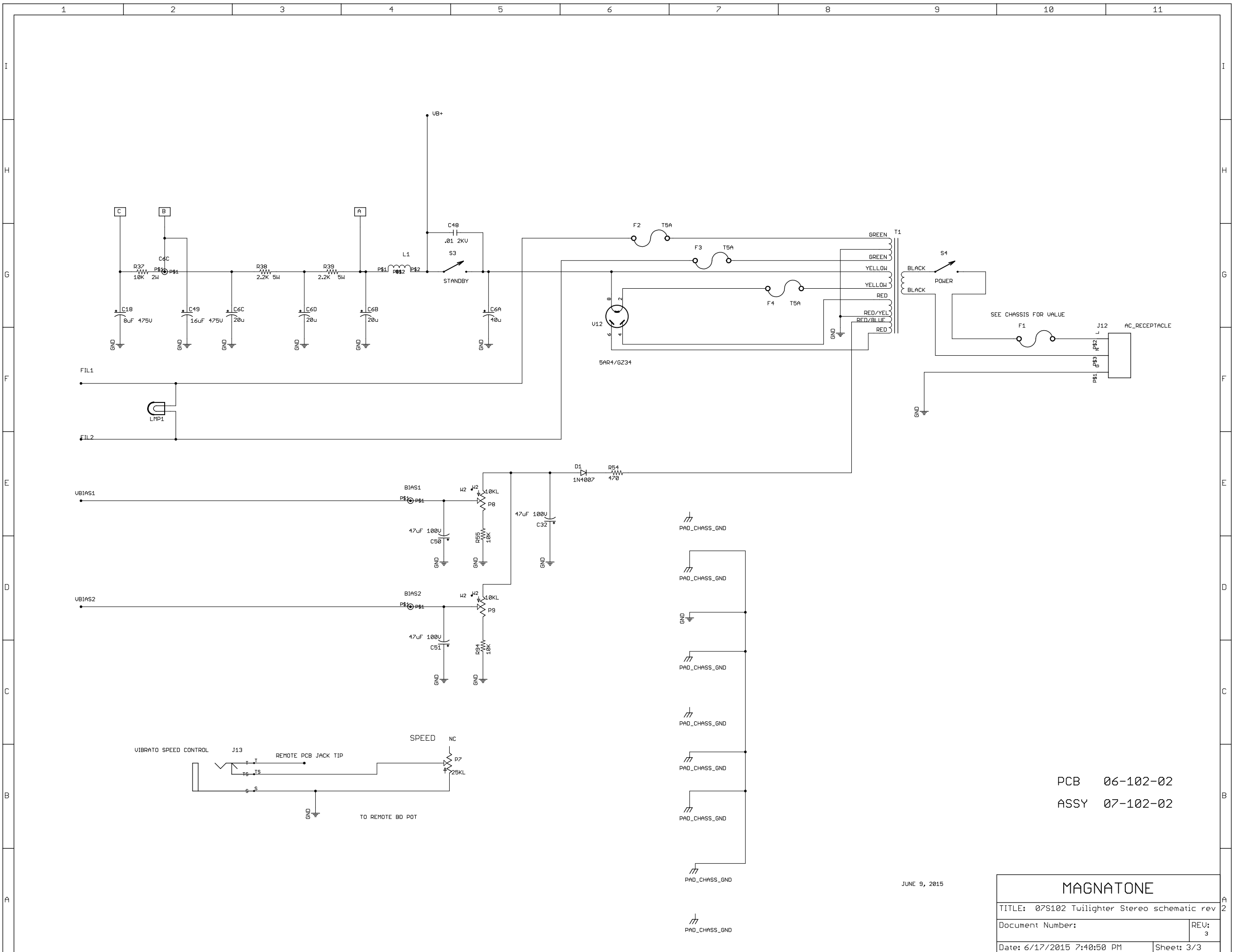
NOTE: FOR HEAD VERSION SHORT J4 TIP SWITCH TO SLEEVE

NOTE: FOR HEAD VERSION SHORT J6 TIP SWITCH TO SLEEVE

PCB 06-102-02
ASSY 07-102-02

JUNE 9, 2015

MAGNATONE	
TITLE: 07S102 Twilighter Stereo schematic rev 2	
Document Number:	REV: 3
Date: 6/17/2015 7:40:50 PM	Sheet: 2/3



PCB 06-102-02
 ASSY 07-102-02

JUNE 9, 2015

MAGNATONE	
TITLE: 07S102 Twilighter Stereo schematic rev 2	
Document Number:	REV: 3
Date: 6/17/2015 7:40:50 PM	Sheet: 3/3