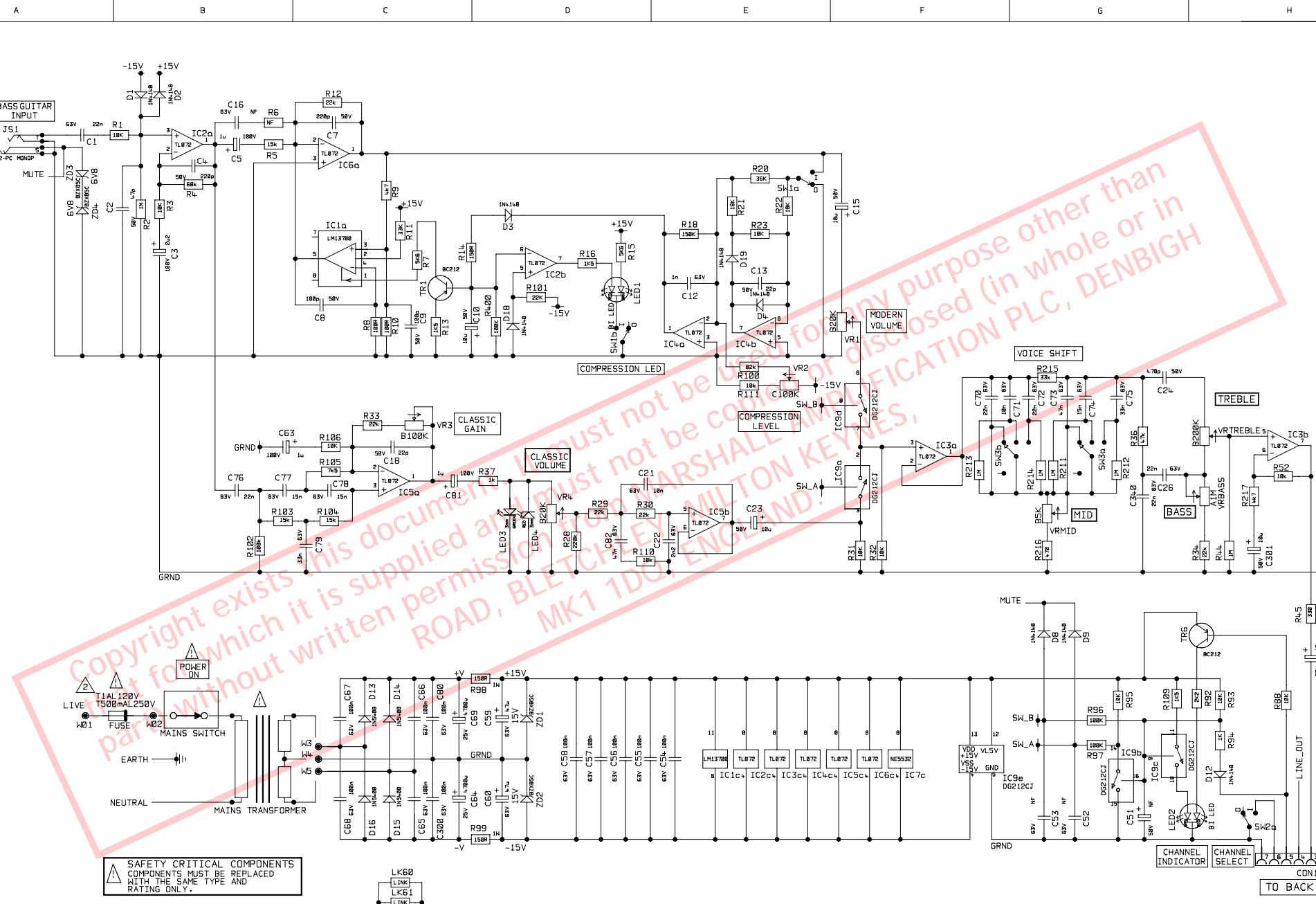
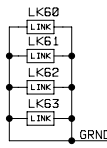


1
2
3
4
5
6



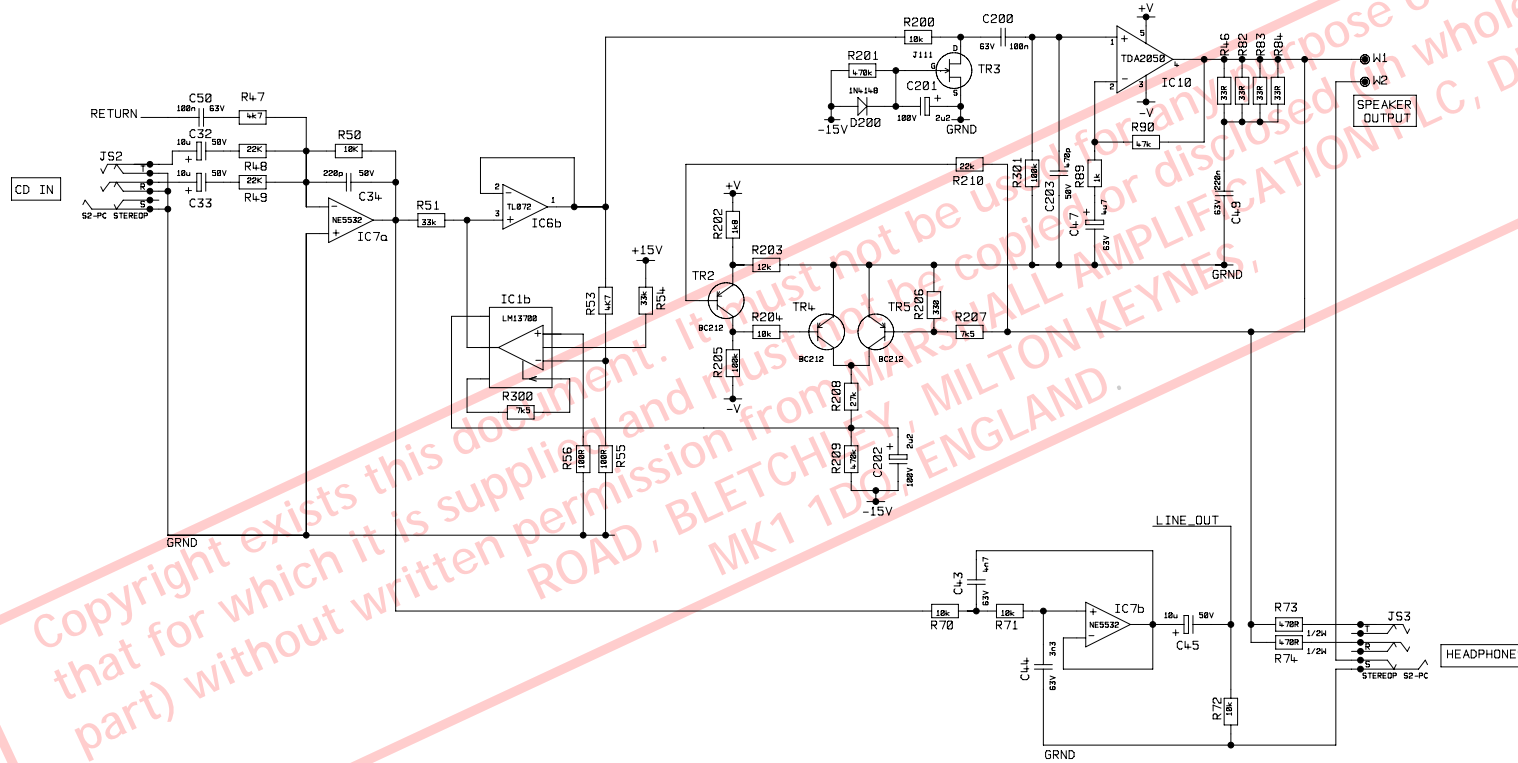
SAFETY CRITICAL COMPONENTS MUST BE REPLACED WITH THE SAME TYPE AND RATING ONLY.



DRAWN	S. A.	DATE	30-03-04		
MODEL	MB30			3	ECO2773
				2	FUSE RATINGS UPDATED
ISS		ECO NUMBER			DATE

Marshall
 MARSHALL AMPLIFICATION PLC
 DENBIGH ROAD, BLETCHLEY, MILTON KEYNES, MK1
 TEL (01908) 375411 FAX (01908) 376118

TITLE	PREAMP	SHT 1 OF 2
DXG.No	MB30-60-02	ISS 3



Copyright exists in this document. It must not be used for any purpose other than that for which it is supplied and must not be copied or disclosed in whole or in part) without written permission from MARSHALL AMPLIFICATION PLC, DENBIGH ROAD, BLETCHLEY, MILTON KEYNES, MK1 1DY, ENGLAND.

DRAWN	S.A.	DATE	30-03-04
MODEL	MB30		
		3	ECO2773
		2	FUSE RATINGS UPDATED
		ISS	ECO NUMBER
			DATE

Marshall

© MARSHALL AMPLIFICATION PLC
 DENBIGH ROAD, BLETCHLEY, MILTON KEYNES, MK1
 TEL (01908) 375411 FAX (01908) 376118

TITLE	POWER AMP
DWG. No	MB30-60-02
ISS	3

SHIT 2 OF 2