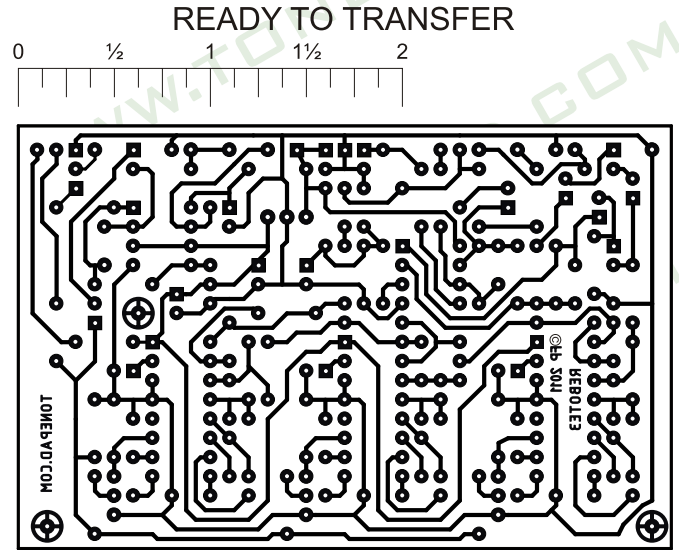
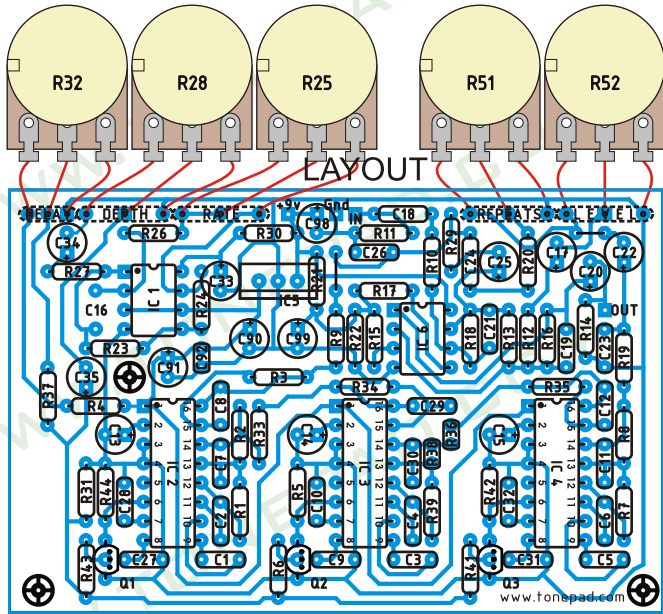


# REBOTE DELAY 3

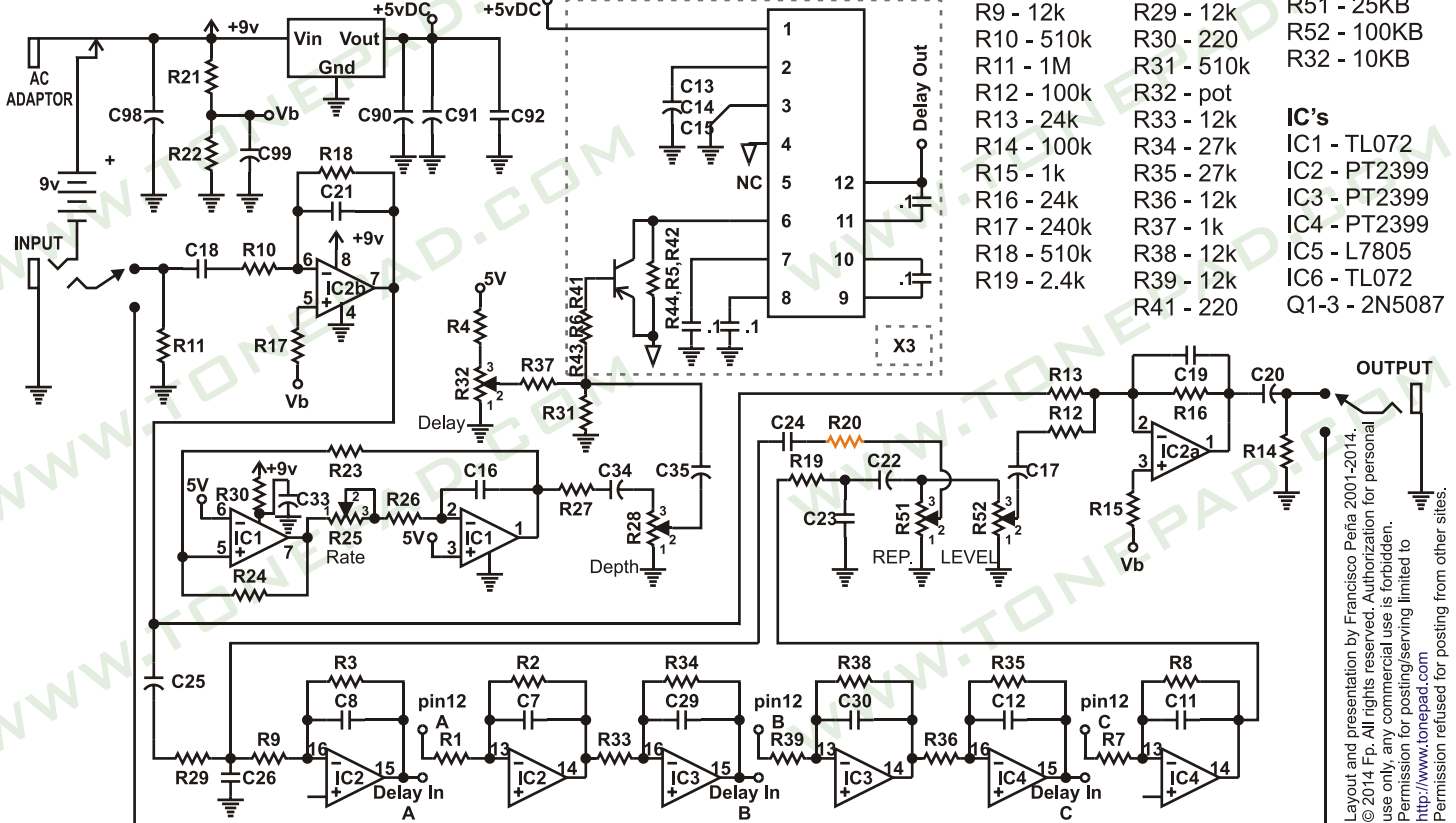
Rev.2.May.30.2014

Build a Rebote3 delay with three times more delay than the previous Rebote offerings and modulation. Off board components except for the potentiometers are not shown on the layout. Trademarks are property of their owners. Visit [tonepad.com](http://www.tonepad.com) for more!



<b>Capacitors</b>	C8 - 0.0047uF	C16 - 1uF (N/P)	C24 - 0.1uF	C32 - 0.1uF	<b>Resistors</b>	R20 - 27k	R42 - 100k
	C1 - 0.1uF	C9 - 0.1uF	C25 - 1uF	C33 - 47uF		R21 - 12k	R43 - 220
	C2 - 0.1uF	C10 - 0.1uF	C26 - 0.001uF	C34 - 10uF		R22 - 12k	R44 - 100k
	C3 - 0.1uF	C11 - 0.01uF	C27 - 0.1uF	C35 - 10uF		R23 - 680k	R51 - pot
	C4 - 0.1uF	C12 - 0.001uF	C28 - 0.1uF	C90 - 47uF		R24 - 1.5M	R52 - pot
	C5 - 0.1uF	C13 - 47uF	C29 - 0.0047uF	C91 - 47uF		R25 - pot	<b>Pots</b>
	C6 - 0.1uF	C14 - 47uF	C30 - 0.0047uF	C92 - 0.1uF		R6 - 220	R26 - 27k
	C7 - 0.0047uF	C15 - 47uF	C31 - 0.1uF	C98 - 47uF		R7 - 27k	R27 - 240k
				C99 - 47uF		R8 - 12k	R28 - pot
						R9 - 12k	R29 - 12k
						R10 - 510k	R30 - 220
						R11 - 1M	R31 - 510k
						R12 - 100k	R32 - pot
						R13 - 24k	R33 - 12k
						R14 - 100k	R34 - 27k
						R15 - 1k	R35 - 27k
						R16 - 24k	R36 - 12k
						R17 - 240k	R37 - 1k
						R18 - 510k	R38 - 12k
						R19 - 2.4k	R39 - 12k
							R41 - 220
							<b>IC's</b>
							IC1 - TL072
							IC2 - PT2399
							IC3 - PT2399
							IC4 - PT2399
							IC5 - L7805
							IC6 - TL072
							Q1-3 - 2N5087

## Schematic



Layout and presentation by Francisco Peña 2001-2014.  
 © 2014 Fp. All rights reserved. Authorization for personal use only, any commercial use is forbidden.  
 Permission for posting/serving limited to <http://www.tonepad.com>  
 Permission refused for posting from other sites.