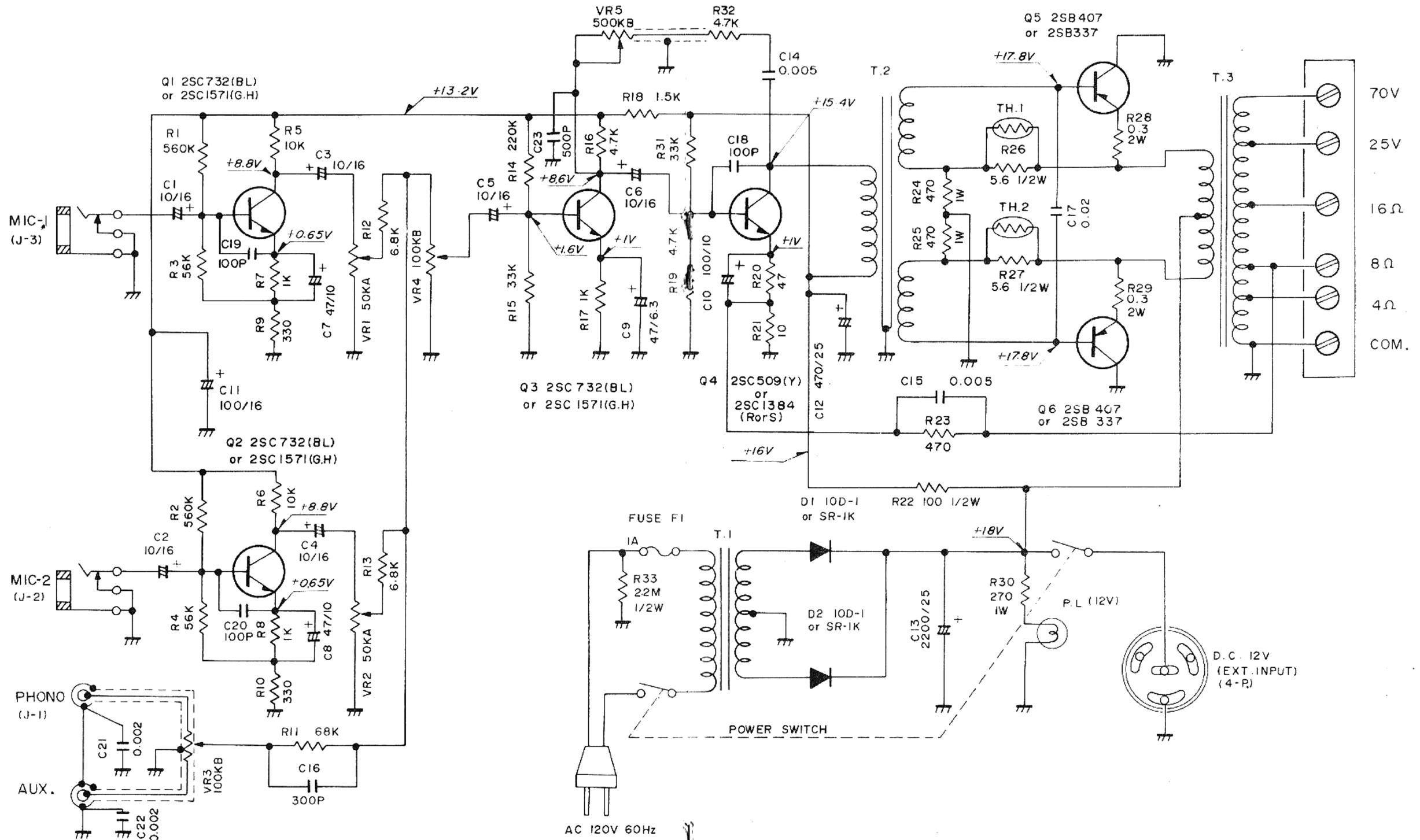


CIRCUIT DIAGRAM



FOR EUROPEAN MODEL

FOR AUSTRALIAN MODEL

FOR CSA MODEL

NOTE:—

- 1 ALL RESISTANCE VALUES ARE INDICATED IN OHMS UNLESS OTHERWISE SPECIFIED (K=10³ OHM, M=10⁶ OHM).
- 2 ALL CAPACITANCE VALUES ARE INDICATED IN μ F UNLESS OTHERWISE NOTED (P=10⁻⁶ μ F)
- 3 ALL VOLTAGES ARE MEASURED WITH NO INPUT.
- 4 VOLTAGES ARE MEASURED TO CHASSIS GROUND WITH A VOLTMETER (10K OHM/V).

