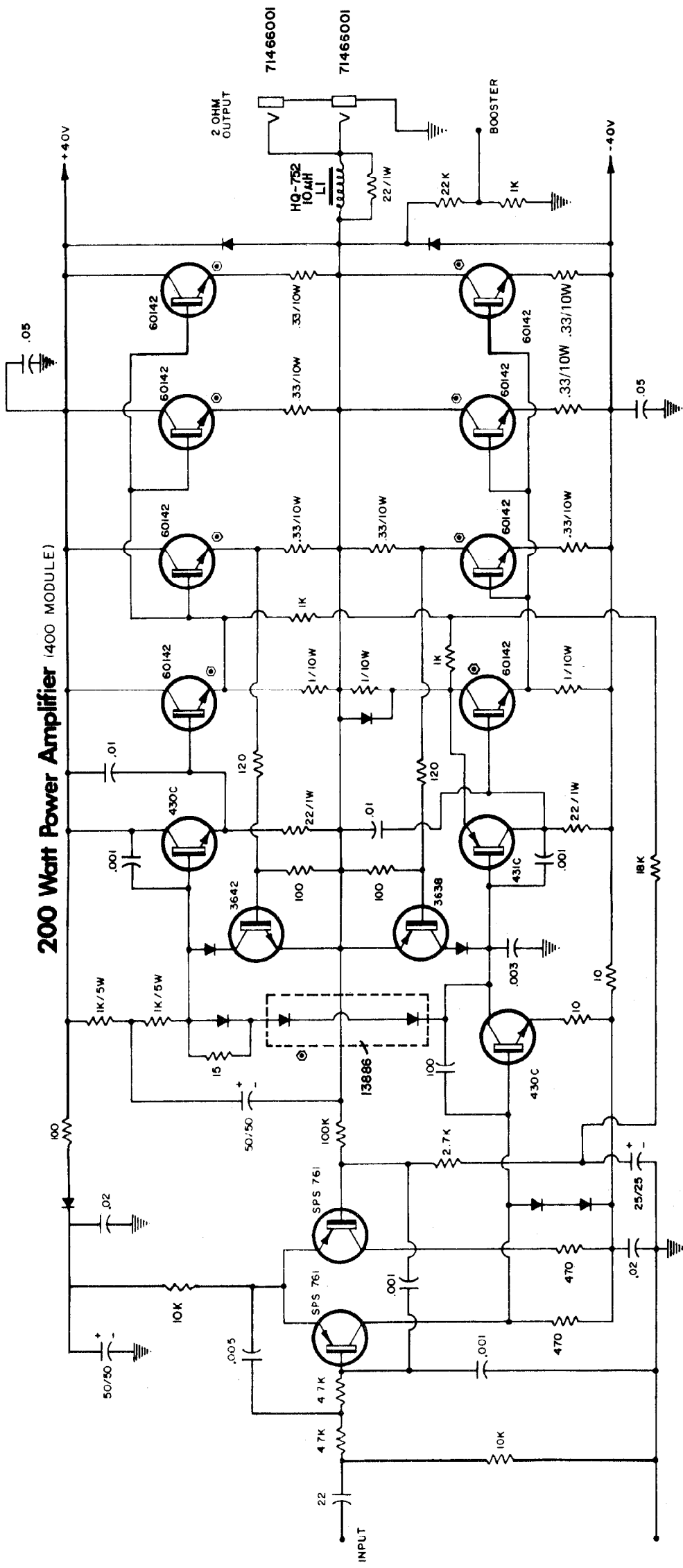


200 Watt Power Amplifier (400 MODULE)

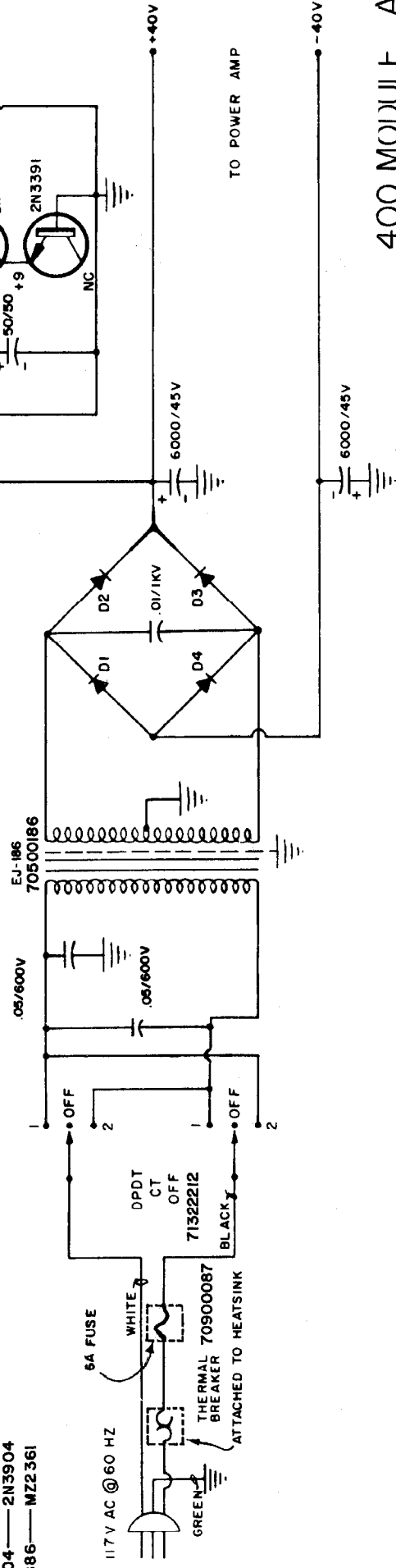


TRANSISTOR CROSS REFERENCE LIST

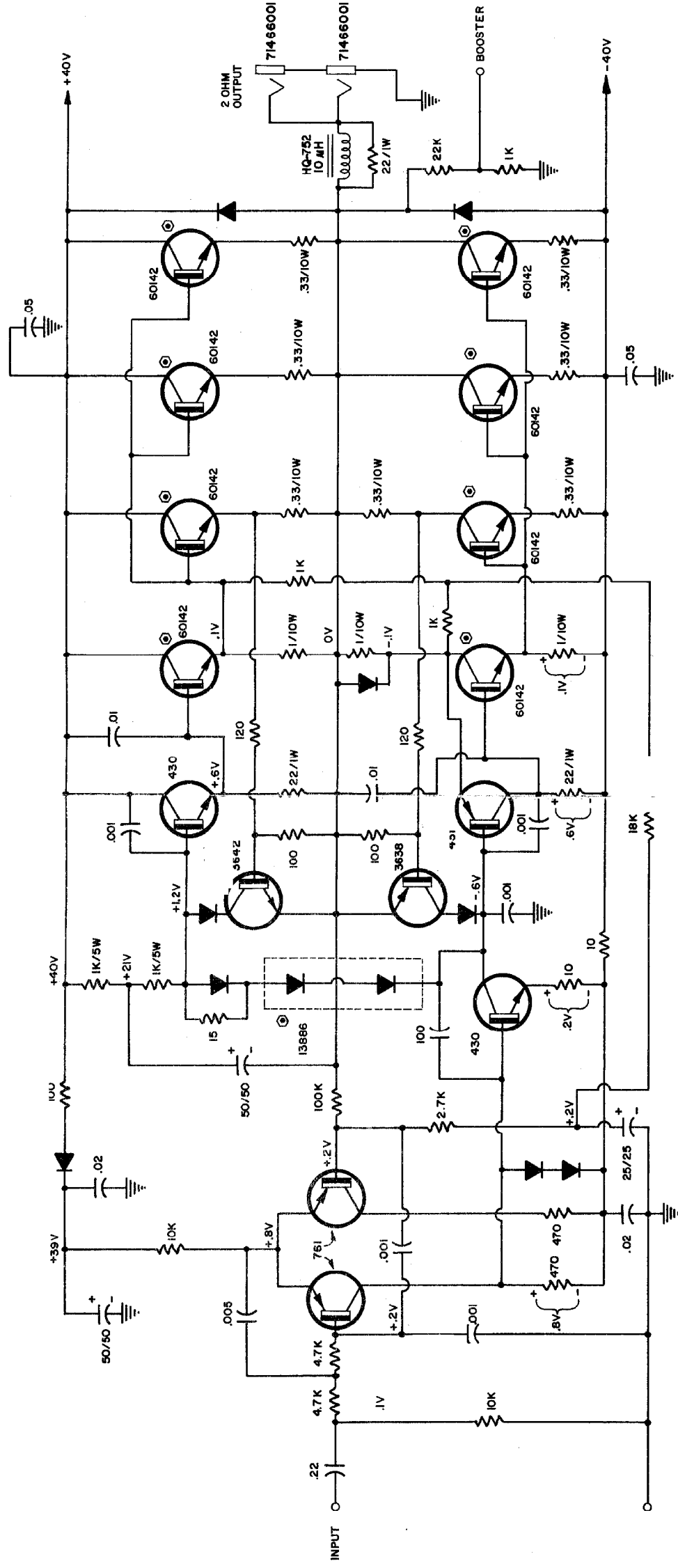
761	—	2N5400
3642	—	2N3642
3638	—	2N3638
430	—	TIP 31C
431	—	TIP 30C
60142	—	2N3772
953	—	2N5391A
690	—	2N4249
3904	—	2N3904
13886	—	MZ2361

⊙ ATTACHED TO HEATSINK
ALL DIODES ARE 1A UNLESS NOTED
D1 - D4 MR752 (6A-200V)

Peavey® Solid State Power Supply



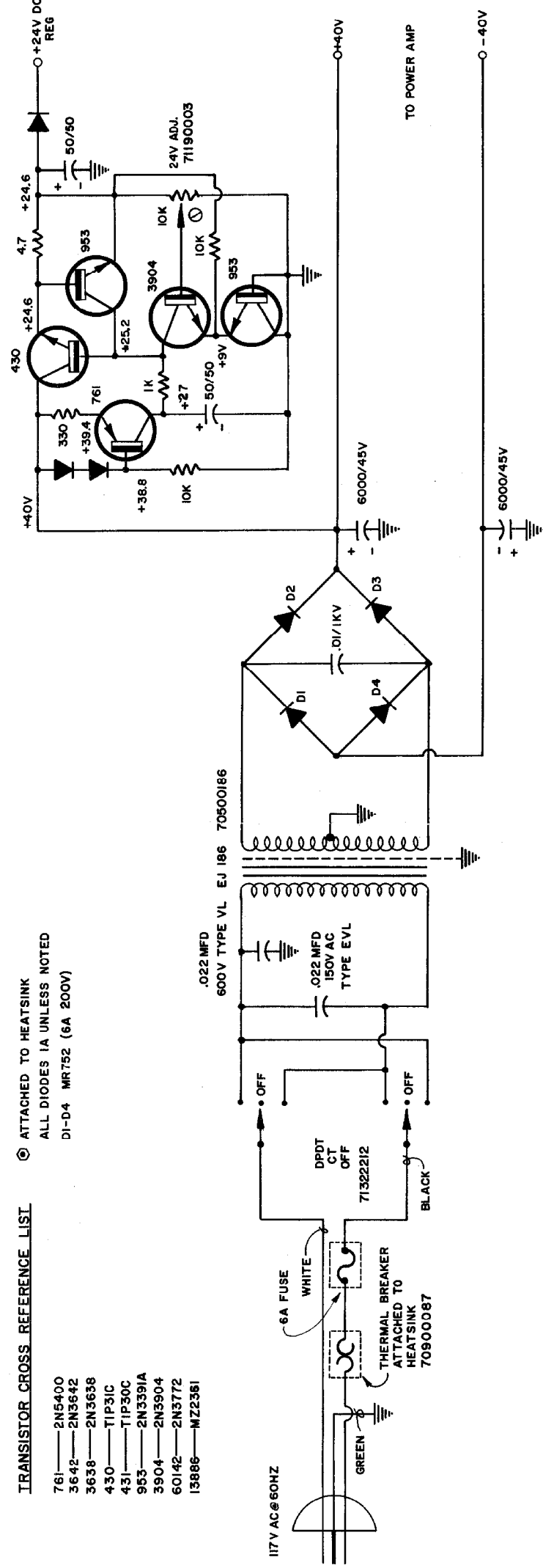
400 MODULE A-SERIES
P/N 81505036



TRANSISTOR CROSS REFERENCE LIST

- 761 — 2N5400
- 3642 — 2N3642
- 3638 — 2N3638
- 430 — TIP31C
- 431 — TIP30C
- 953 — 2N3391A
- 3904 — 2N3904
- 60142 — 2N3772
- 13886 — M22361

© ATTACHED TO HEATSINK
ALL DIODES 1A UNLESS NOTED
D1-D4 MFR752 (5A 200V)



400 MODULE B-SERIES
P/N 81505036

PEAVEY ELECTRONICS CORP.
MERIDIAN, MS
DRAWN BY: [Signature] DATE 4-29-75
CHECKED BY: J.C.B.
APPROVED BY: [Signature]