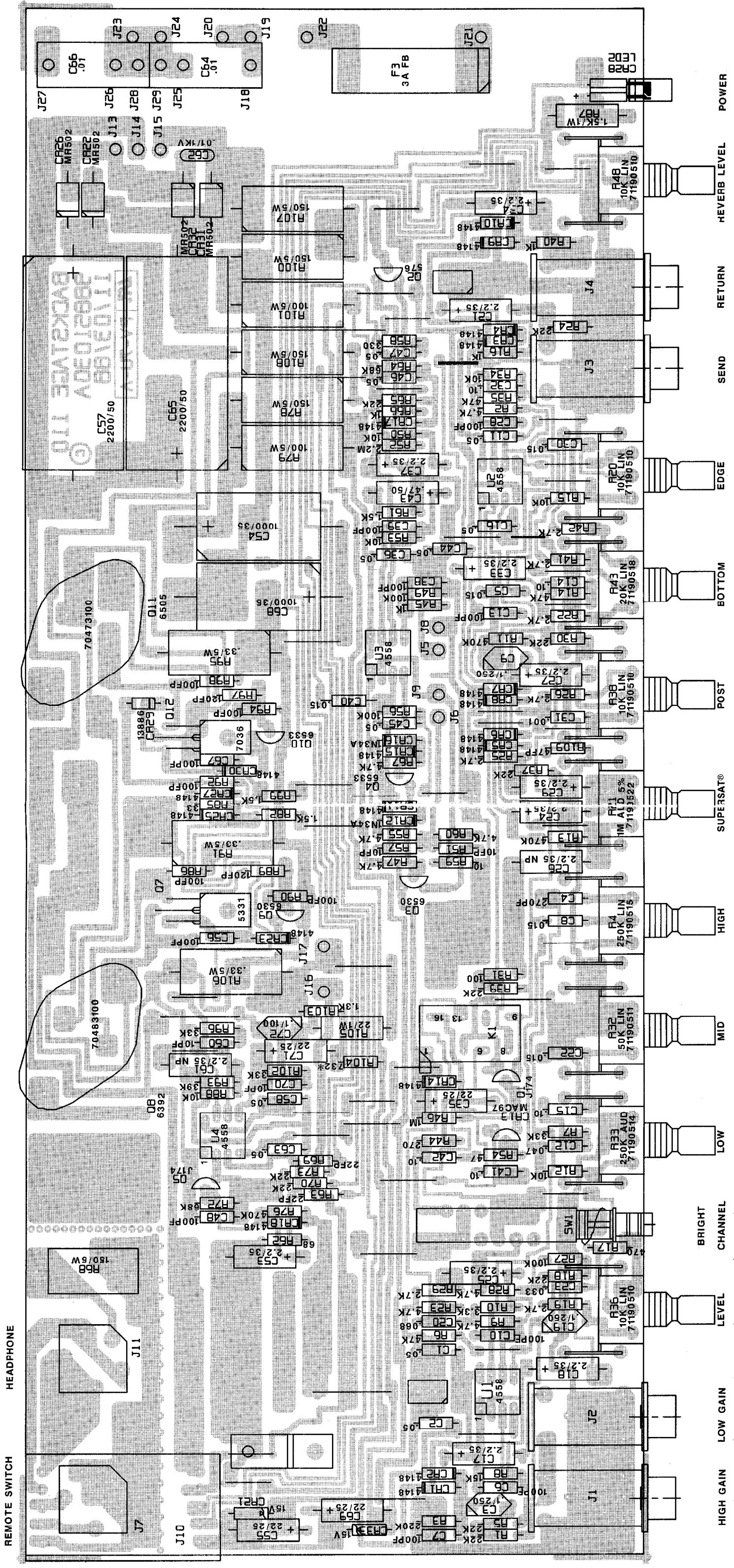


NOTES:
 ALL RESISTORS 1/4W UNLESS NOTED
 ALL RESISTORS IN OHMS UNLESS NOTED
 ALL POTS ARE LINEAR UNLESS NOTED
 ALL CAPACITORS IN MFD UNLESS NOTED
 ALL DIODES 1N4148 UNLESS NOTED
 * DENOTES 1/4 WATTANCE UNIT TO UNIT
 LAST REFERENCE DESIGNATOR USED
 CR33 R109 J29 C72 G12 U4 SM3 TX2
 BUILT UNDER U.S. PATENT NO. 4,811,401

BACKSTAGE™ 110
 BD. #98851030A (11-3-88)

PEAVEY ELECTRONICS CORP.
 711 A ST.
 MERIDIAN, MS
 DRAWN BY *darh* DATE 2-22-89
 C.B. CK. *darh*
 CK. BY *[Signature]*
 APPR. BY



BACKSTAGE® 110