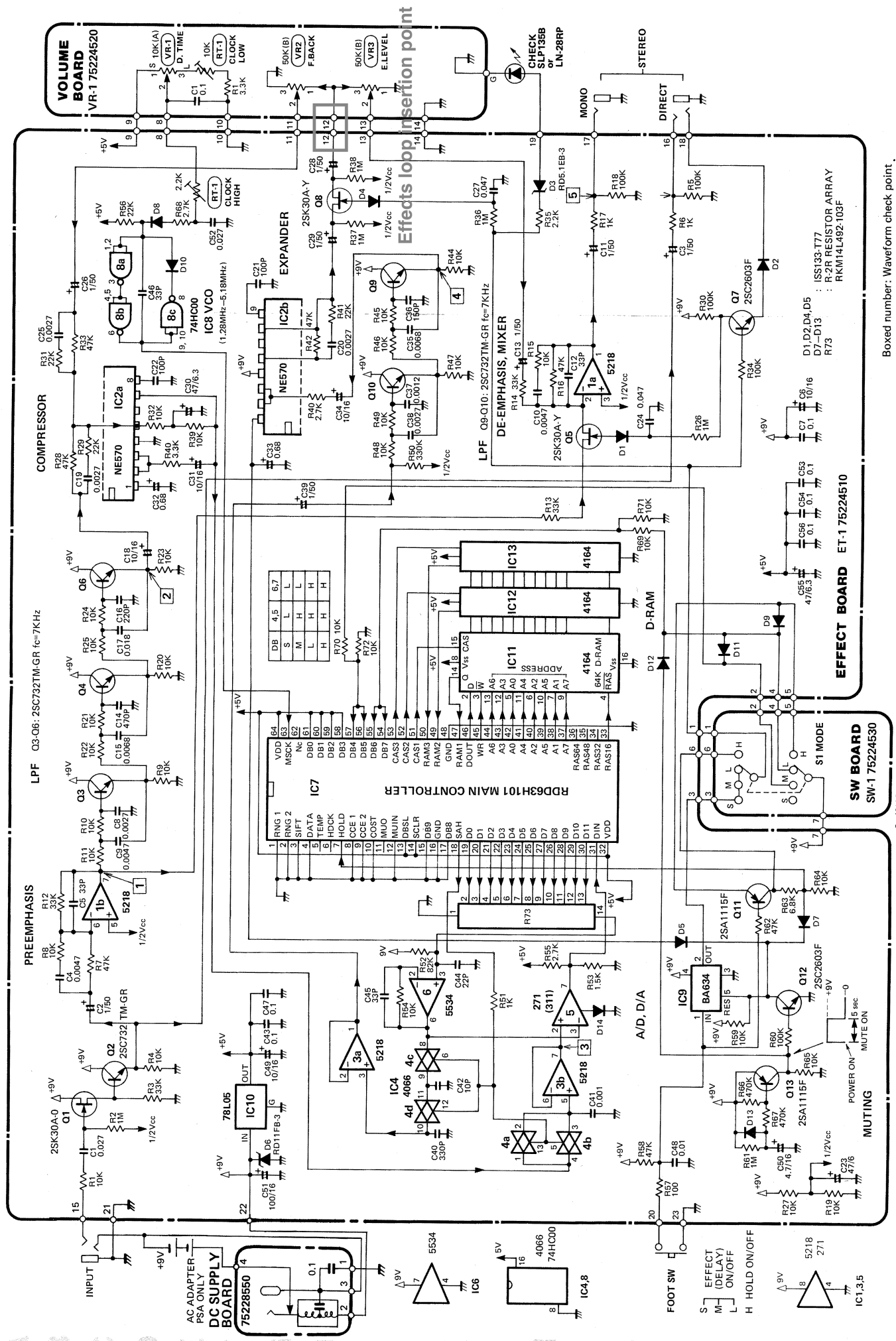


1 2 3 4 5 6 7 8 9 10 11 12 13 14 15 16 17 18 19 20 21 22 23 24 25 26 27 28 29 30 31 32 33 34 35 36 37



DD-2/3 CIRCUIT DIAGRAM

Boxed number: Waveform check point.

- S (SHORT) 12.5ms - 50ms
- M (MIDDLE) 50ms - 200ms
- L (LONG) 200ms - 800ms
- H (HOLD) 200ms - 800ms