

BASS AMPLIFIER

BBT500H

SERVICE MANUAL



■ CONTENTS (目次)

SPECIFICATIONS(総合仕様).....	3/4
PANEL LAYOUT(パネルレイアウト).....	5
DISASSEMBLY PROCEDURE(分解手順).....	7
LSI PIN DESCRIPTION(LSI端子機能表).....	13
IC BLOCK DIAGRAM(ICブロック図).....	16
CIRCUIT BOARDS(シート基板図).....	18
TEST PROGRAM AND INSPECTIONS (テストプログラムと検査).....	32/36
ERROR MESSAGE (エラーメッセージ).....	40
MIDI IMPLEMENTATION CHART.....	41
PARTS LIST(パーツリスト)	
BLOCK DIAGRAM(ブロックダイアグラム)	
OVERALL CIRCUIT DIAGRAM(総回路図)	

IMPORTANT NOTICE

This manual has been provided for the use of authorized Yamaha Retailers and their service personnel. It has been assumed that basic service procedures inherent to the industry, and more specifically Yamaha Products, are already known and understood by the users, and have therefore not been restated.

WARNING : Failure to follow appropriate service and safety procedures when servicing this product may result in personal injury, destruction of expensive components and failure of the product to perform as specified. For these reasons, we advise all Yamaha product owners that all service required should be performed by an authorized Yamaha Retailer or the appointed service representative.

IMPORTANT : This presentation or sale of this manual to any individual or firm does not constitute authorization certification, recognition of any applicable technical capabilities, or establish a principal-agent relationship of any form.

The data provided is believed to be accurate and applicable to the unit(s) indicated on the cover. The research engineering, and service departments of Yamaha are continually striving to improve Yamaha products. Modifications are, therefore, inevitable and changes in specification are subject to change without notice or obligation to retrofit. Should any discrepancy appear to exist, please contact the distributor's Service Division.

WARNING : Static discharges can destroy expensive components. Discharge any static electricity your body may have accumulated by grounding yourself to the ground bus in the unit (heavy gauge black wires connect to this bus.)

IMPORTANT : Turn the unit OFF during disassembly and parts replacement. Recheck all work before you apply power to the unit.

WARNING: CHEMICAL CONTENT NOTICE!

The solder used in the production of this product contains LEAD. In addition, other electrical/electronic and/or plastic (Where applicable) components may also contain traces of chemicals found by the California Health and Welfare Agency (and possibly other entities) to cause cancer and/or birth defects or other reproductive harm.

DO NOT PLACE SOLDER, ELECTRICAL/ELECTRONIC OR PLASTIC COMPONENTS IN YOUR MOUTH FOR ANY REASON WHAT SO EVER!

Avoid prolonged, unprotected contact between solder and your skin! When soldering, do not inhale solder fumes or expose eyes to solder/flux vapor!

If you come in contact with solder or components located inside the enclosure of this product, wash your hands before handling food.

IMPORTANT NOTICE FOR THE UNITED KINGDOM

Connecting the Plug and Cord

WARNING: THIS APPARATUS MUST BE EARTHED
IMPORTANT. The wires in this mains lead are coloured in accordance with the following code:

GREEN-AND-YELLOW	: EARTH
BLUE	: NEUTRAL
BROWN	: LIVE


As the colours of the wires in the mains lead of this apparatus may not correspond with the coloured markings identifying the terminals in your plug proceed as follows:

The wire which is coloured GREEN-and-YELLOW must be connected to the terminal in the plug which is marked by the letter E or by the safety earth symbol or colored GREEN or GREEN-and-YELLOW.

The wire which is coloured BLUE must be connected to the terminal which is marked with the letter N or coloured BLACK.

The wire which is coloured BROWN must be connected to the terminal which is marked with the letter L or coloured RED.

■ WARNING

Components having special characteristics are marked  and must be replaced with parts having specification equal to those originally installed.



印の商品は、安全を維持するために重要な部品です。交換する場合は、安全のために必ず指定の部品をご使用ください。

■ SPECIFICATIONS

Power Amplifier Section

Class-D power amplifier circuitry
Output 500W/2 Ω

Preamplifier Section

All digital signal processing
Sound Type: 11 Presets
5-Band Semi Parametric Tone Controls (Variable Frequencies)
Parametric Equalizer (PEQ, F, G, Q)

Effect Section

Compressor	RATIO, THRSLD, ATTACK, RELEASE, C. GAIN, KNEE
Limiter	ON/OFF (SPEAKER, LINE OUT)
Noise Gate	N. GATE
Crossover Filter	LPF/HPF, Cutoff Frequency
Speaker Simulator	ON/LINE/OFF (SPEAKER, LINE OUT)

Effect Loop

Monaural Send/Return, Level Switch (-20dB/+4dB), Effect
Blend Control

User Memory

5 User Memory (Sound Type, Amp Settings, Compressor,
Effect Blend)

MIDI Functions

Receive	Program Change, Control Change, Bulk In
Transmit	Bulk Out, Merge Out

Controllers/Switches

Front Panel	Control Knobs x 11, Push Switches x 7
Rear Panel	Control Knob x1, Slide Switches x4

Displays

Push Switch LED x5
Sound Type LED x11
7-Segment LED x3 Digit
Input Level LED x2 (Green, Red)

Connections

INPUT: Standard Monaural Phone Jack
SPEAKER 1, 2: Standard Monaural Phone Jack
PHONES: Standard Stereo Phone Jack
LINE OUT (UNBALANCED OUT): Standard Monaural Phone Jack
LINE OUT (BALANCED OUT): XLR Jack
FX LOOP (SEND/RETURN): Standard Monaural Phone Jack
TUNER OUT: Standard Monaural Phone Jack
MIDI IN, MIDI OUT: 5-pin DIN jack

A/D Conversion

24 bit

D/A Conversion

24 bit

Sampling Frequency

48kHz

Input Level/Impedance

INPUT: -37dBm (thru)/1M Ω
FX LOOP RETURN: -20dBm/220k Ω , +4dBm/220k Ω

Output Level/Impedance

SPEAKER (BRIDGED OUT): 500W RMS/2 Ω , 250W RMS/4 Ω
LINE OUT (UNBALANCED OUT): +4dBm/10k Ω
LINE OUT (BALANCED OUT): +4dBm/600 Ω
FX LOOP SEND: -20dBm/100k Ω , +4dBm/100k Ω

Power Requirements

U.S. and Canadian models : 120V, 60Hz
General model : 230V, 50-60Hz

Power Consumption

130W

Dimensions (W x H x D)

378 x 88 x 265 mm (14-7/8" x 3-7-16" x 10-7/16")

Weight

U.S. and Canadian models : 4.7 kg (10 lbs. 6 oz)
General model : 5.2 kg (11 lbs. 7 oz)

Accessories

Power Cable
Rack Mount Adaptors X2
Rack Mount Adaptor Screws X6
Owner's Manual
Clamp Filters X3 (U.S. and Canadian models only)

■ 総合仕様

パワーアンプ部	Class-D パワーアンプ回路 出力500 W/2
プリアンプ部	完全デジタルシグナルプロセッシング サウンドタイプ・プリセット11 5バンド・セミパラメトリック・トーンコントロール(周波数可変) パラメトリックイコライザー (PEQ F, G, Q)
エフェクト部	
コンプレッサー	RATIO, THRSLD, ATTACK, RELEASE, C.GAIN, KNEE
リミッター	ON/OFF (SPEAKER, LINE OUT)
ノイズゲート	N. GATE
クロスオーバーフィルター	LPF/HPF, Cutoff Frequency
スピーカーシミュレーター	ON/LINE/OFF (SPEAKER, LINE OUT)
エフェクトループ	モノラルセンドリターン、レベルスイッチ(-20 dB/+4 dB) エフェクトブレンド・コントロール
ユーザーメモリー	5タイプ(サウンドタイプ、アンプ設定、コンプレッサー、エフェクトブレンド)
MIDI機能	受信 Program Change, Control Change, Bulk In 送信 Bulk Out, Merge Out
コントローラー/スイッチ	
フロントパネル	ツマミ x11、プッシュスイッチ x7
リアパネル	ツマミ x1、スライドスイッチ x4
表示	プッシュスイッチLED x5 サウンドタイプLED x11 7セグメントLED x3ケタ 入力レベルLED x2(緑, 赤)
接続端子	INPUT : 標準フォンモノジャック SPEAKER 1, 2 : 標準フォンモノジャック PHONES : 標準フォンステレオジャック LINE OUT (UNBALANCED OUT) : 標準フォンモノジャック LINE OUT (BALANCED OUT) : キャンンジャック FX LOOP (SEND/RETURN) : 標準フォンモノジャック TUNER OUT : 標準フォンモノジャック MIDI IN, MIDI OUT : 5 pin DINジャック
A/Dコンバーター	24 bit
D/Aコンバーター	24 bit
サンプリング周波数	48 kHz

入力レベル/インピーダンス

INPUT : - 37 dBm(スルー)1 M
FX LOOP RETURN : -20 dBm/220 k ,
+4 dBm/220 k

出力レベル/インピーダンス

SPEAKER (BRIDGED OUT) :
500W RMS/2 , 250W RMS/4
LINE OUT (UNBALANCED OUT) : +4 dBm/10 k
LINE OUT (BALANCED OUT) : +4 dBm/600
FX LOOP SEND : -20 dBm/100 k , +4 dBm/100 k
AC 100V, 50/60Hz

電源

消費電力

130 W

寸法

(W x H x D) 378 x 88 x 265 mm

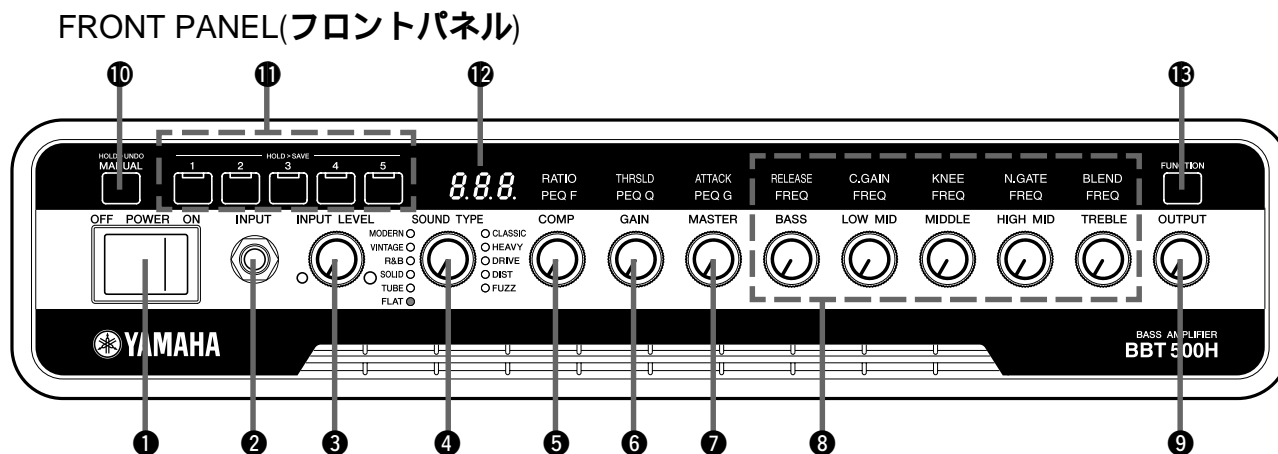
重量

5.2 kg

付属品

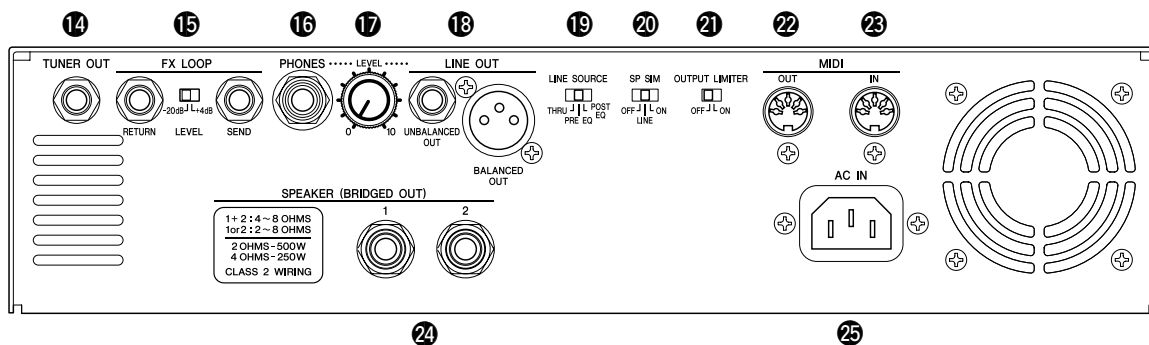
電源ケーブル
ラックマウントアダプター x2
ラックマウントアダプター取付ネジ x6
取扱説明書

■ PANEL LAYOUT(パネルレイアウト)



- | | |
|--|--|
| ① Power Switch | ① 電源スイッチ (POWER) |
| ② Input Jack (INPUT) | ② 入力端子 (INPUT) |
| ③ Input Level Volume (INPUT LEVEL) | ③ 入力レベルボリューム (INPUT LEVEL) |
| ④ Sound Type Select Switch (SOUND TYPE) | ④ サウンドタイプセレクトスイッチ (SOUND TYPE) |
| ⑤ Compressor Volume (COMP) | ⑤ コンプレッサーボリューム (COMP) |
| ⑥ Gain Volume (GAIN) | ⑥ ゲインボリューム (GAIN) |
| ⑦ Master Volume (MASTER) | ⑦ マスターボリューム (MASTER) |
| ⑧ Tone Controls
(BASS, LOW MID, MIDDLE, HIGH MID, TREBLE) | ⑧ トーンコントロール
(BASS, LOW MID, MIDDLE, HIGH MID, TREBLE) |
| ⑨ Output Volume Level (OUTPUT) | ⑨ 出力レベルボリューム (OUTPUT) |
| ⑩ Manual Switch (MANUAL) | ⑩ マニュアルスイッチ (MANUAL) |
| ⑪ Memory Switches (1-5) | ⑪ メモリスイッチ (1~5) |
| ⑫ Display | ⑫ ディスプレイ |
| ⑬ Function Switch (FUNCTION) | ⑬ ファンクションスイッチ (FUNCTION) |

REAR PANEL(リアパネル)



- ⑭ Tuner Output (TUNER OUT)
- ⑮ Effect Loop (FX LOOP)
 - Effect Send Jack (SEND)
 - Effect Return Jack (RETURN)
 - Effect Loop Level Switch (LEVEL)
- ⑯ Headphones Jack (PHONES)
- ⑰ Headphones/Line Out Level Control (LEVEL)
- ⑱ Line Out Jack
(UNBALANCED OUT, BALANCED OUT)
- ⑲ Line Out Source Switch
(LINE SOURCE: THRU/PRE EQ/POST EQ)
- ⑳ Speaker Simulator Switch
(SP SIM: OFF/LINE/ON)
- ㉑ Output Limiter Switch
(OUTPUT LIMITER: ON/OFF)
- ㉒ MIDI OUT Jack
- ㉓ MIDI IN Jack
- ㉔ Speaker Jacks (SPEAKER 1, 2)
- ㉕ Power Connector (AC IN)

- ⑭ チューナー出力端子 (TUNER OUT)
- ⑮ エフェクトループ (FX LOOP)
 - エフェクトSEND端子 (SEND)
 - エフェクトリターン端子 (RETURN)
 - エフェクトループレベルスイッチ (LEVEL)
- ⑯ ヘッドフォン端子 (PHONES)
- ⑰ ヘッドフォン/ラインアウトレベルコントロール (LEVEL)
- ⑱ ラインアウト端子
(UNBALANCED OUT, BALANCED OUT)
- ⑲ ラインアウトソーススイッチ
(LINE SOURCE : THRU/PRE EQ/POST EQ)
- ⑳ スピーカーシミュレータースイッチ
(SP SIM : OFF/LINE/ON)
- ㉑ アウトプットリミッタースイッチ
(OUTPUT LIMITER : OFF/ON)
- ㉒ MIDI OUT 端子
- ㉓ MIDI IN 端子
- ㉔ スピーカー端子 (SPEAKER 1, 2)
- ㉕ 電源コネクタ (AC IN)

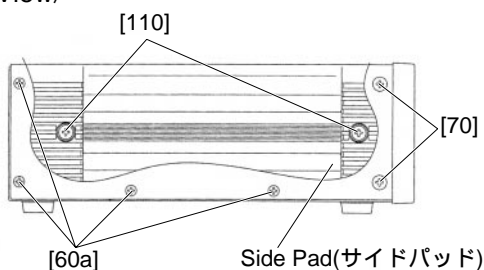
■ DISASSEMBLY PROCEDURE (分解手順)

1. Top Cover

(Time required: About 4 minutes)

- 1-1. Remove the two (2) screws marked [110]. The side pad can then be removed. (Fig. 1)
- 1-2. Remove the four (4) screws marked [60a] and the two (2) screws marked [70] (Fig. 1)
*Remove the parts on the other side in the same way.
- 1-3. Remove the six (6) screws marked [60b] and the five (5) screws marked [80]. (Fig. 2)
- 1-4. Remove the top cover. (Fig. 2)

〈Side View〉



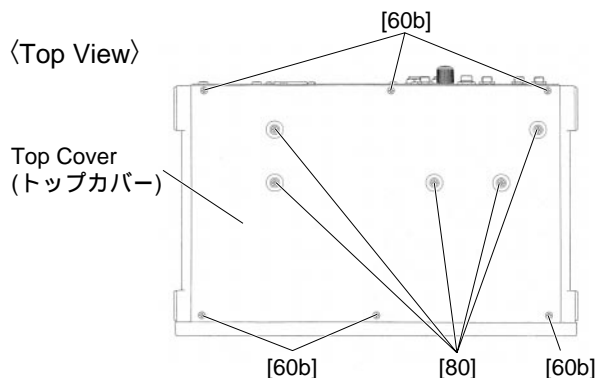
- [60]: Bind Head Tapping Screw-B (+ バインドBタイト)
3.0x6 MFZN2BL (EP600230)
- [70]: Bind Head Screw (+ バインド小ネジ)
4.0x6 MFZN2BL (EG340340)
- [110]: Bind Head Screw (+ バインド小ネジ)
4.0x16 MFZN2BL (EG340110)

Fig.1(図1)

1. トップカバー (所要時間: 約 4 分)

- 1-1 [110]のネジ2本を外し、サイドパッドを外します。(図1)
- 1-2 [60a]のネジ4本と、[70]のネジ2本を外します。(図1)
反対側も同様に外します。
- 1-3 [60b]のネジ6本と、[80]のネジ5本を外します。(図2)
- 1-4 トップカバーを外します。(図2)

〈Top View〉



- [60]: Bind Head Tapping Screw-B (+ バインドBタイト)
3.0x6 MFZN2BL (EP600230)
- [80]: Bind Head Screw (+ バインド小ネジ)
3.0x8 MFZN2BL (VA295800)

Fig.2(図2)

2. Front Assembly

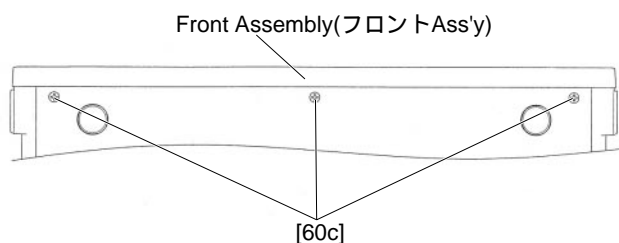
(Time required: About 5 minutes)

- 2-1. Remove the top cover. (See procedure 1.)
- 2-2. Remove the three (3) screws marked [60c]. The front assembly can then be removed. (Fig. 3)

2. フロント Ass'y (所要時間: 約 5 分)

- 2-1 トップカバーを外します。(1 項参照)
- 2-2 [60c]のネジ3本を外し、フロント Ass'yを外します。(図3)

〈Bottom View〉



- [60]: Bind Head Tapping Screw-B (+ バインドBタイト)
3.0x6 MFZN2BL (EP600230)

Fig.3(図3)

3. Power Switch

(Time required: About 5 minutes)

- 3-1. Remove the top cover. (See procedure 1.)
- 3-2. Remove the front assembly. (See procedure 2.)
- 3-3. Pressing the power switch claws, remove the power switch from the front panel. (Fig.4)

3. 電源スイッチ (所要時間: 約5分)

- 3-1 トップカバーを外します。(1項参照)
- 3-2 フロント Ass'y を外します(2項参照)
- 3-3 電源スイッチのツメを押えながら、フロントパネルから電源スイッチを外します。(図4)

Power switch(電源スイッチ)

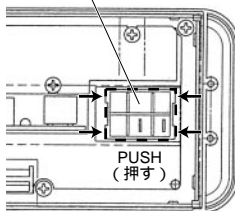


Fig.4(図4)

4. DM Circuit Board (1/2)

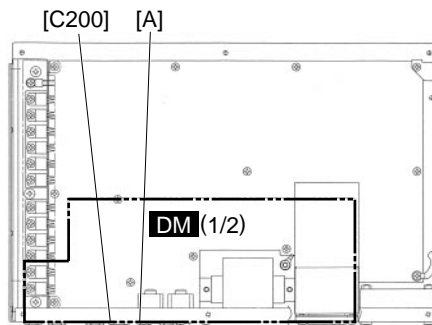
(Time required: About 5 minutes)

- 4-1. Remove the knob [A] by pulling it off. (Photo.1)
- 4-2. Remove the top cover. (See procedure 1.)
- 4-3. Remove the hexagonal nuts marked [C170], [C200], and [A]. (Fig. 5)
- 4-4. Remove the four (4) screws marked [C160]. The DM circuit board can then be removed. (Fig. 5)

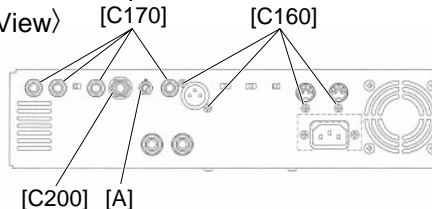
4. DM 基板(1/2) (所要時間: 約5分)

- 4-1 ノブ[A]を引き抜いて外します。(写真1)
- 4-2 トップカバーを外します。(1項参照)
- 4-3 [C170]、[C200]及び[A]の六角ナットを外します。(図5)
- 4-4 [C160]のネジ4本を外し、DM 基板(1/2)を外します。(図5)

〈Top View〉



〈Rear View〉



〈Rear View〉



Knob[A](ノブ[A])

Photo.1(写真1)

[C160]: Bind Head Tapping Screw-P (+ バインドPタイト) 3.0X6 MFZN2BL(VA819100)

[C170]: Hexagonal Nut (特殊六角ナット) 9.0 12X2 MFNI33 (LX200060)

[C200]: Hexagonal Nut (特殊六角ナット) 12.0 MFNI33 (ES200210)

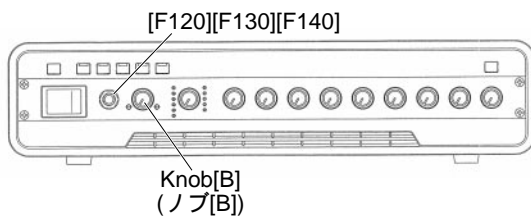
Fig.5(図5)

5. DM Circuit Board (2/2)

(Time required: About 6 minutes)

- 5-1. Remove the Hexagonal nut marked [F120], the Flat washer marked [F130] and the Insulation nut marked [F140]. (Fig. 6)
- 5-2. Remove the knob [B] by pulling it off. (Fig. 6)
- 5-3. Remove the hexagonal nut. (Photo.2)
- 5-4. Remove the top cover. (See procedure 1.)
- 5-5. Remove the front assembly. (See procedure 2.)
- 5-6. Remove the hexagonal nut marked [150] and the screw marked [80]. The earth cable can then be removed. (Photo.3)
- 5-7. Remove the DM circuit board (2/2). (Photo.3)

〈Front View〉



[F120]: Hexagonal Nut (特殊六角ナット) 9.0 MFNI33 (LX200060)

[F130]: Flat Washer (特殊平座金) 9X14 0.5 FNM3 (VL802300)

[F140]: Insulation Nut (絶縁ナット) GA/BA (V3630000)

Fig.6 (図6)

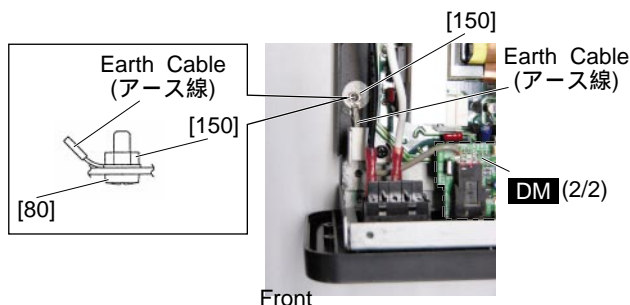


Photo.3(写真3)

6. PN Circuit Board

(Time required: About 9 minutes)

- 6-1. Remove the ten (10) knobs marked [130]. (Photo.4)
- 6-2. Remove the ten (10) hexagonal nuts. (Photo.4)
- 6-3. Remove the top cover. (See procedure 1.)
- 6-4. Remove the front assembly. (See procedure 2.)
- 6-5. Remove the six (6) screws marked [F80]. The PN circuit board can then be removed. (Fig. 7)

5. DM 基板(2/2)(所要時間: 約6分)

- 5-1 [F120]の六角ナット、[F130]のワッシャーと[F140]の絶縁ナットを外します。(図6)
- 5-2 ノブ[B]を引き抜いて外します。(図6)
- 5-3 六角ナットを外します。(写真2)
- 5-4 トップカバーを外します。(1項参照)
- 5-5 フロント Ass'yを外します。(2項参照)
- 5-6 [150]の六角ナットと[80]のネジを外し、アース線を外します。(写真3)
- 5-7 DM 基板(2/2)を外します。(写真3)



Hexagonal Nut
(六角ナット)

Photo.2 (写真2)

[80]: Bind Head Screw (+ バインド小ネジ) 3.0X8
MFZN2BL (VA295800)

[150]: Hexagonal Nut (六角ナット) #2 3.0 MFZN2Y (ES200020)

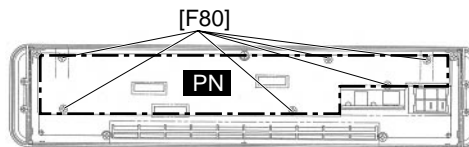
6. PN 基板 (所要時間: 約9分)

- 6-1 [130]のノブ10個を引き抜いて外します。(写真4)
- 6-2 六角ナット10個を外します。(写真4)
- 6-3 トップカバーを外します。(1項参照)
- 6-4 フロント Ass'yを外します。(2項参照)
- 6-5 [F80]のネジ6本を外し、PN 基板を外します。(図7)



[130]: Knob (ノブ) (WC936600)

Photo.4(写真4)



[F80]: Bind Head Tapping Screw-P (+ バインドPタイト)
3.0X6 MFZN2BL(VA819100)

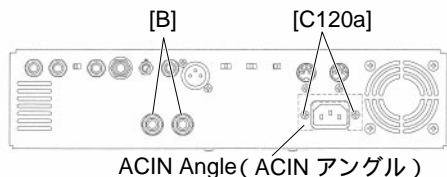
Fig.7(図7)

7. PW Circuit Board

(Time required: About 10 minutes)

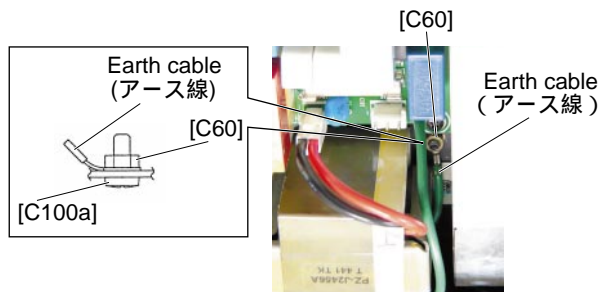
- 7-1. Remove the top cover. (See procedure 1.)
- 7-2. Remove the front assembly. (See procedure 2.)
- 7-3. Remove the DM circuit board (1/2). (See procedure 4.)
- 7-4. Remove the two (2) hexagonal nuts marked [B]. (Fig. 8)
- 7-5. Remove the two (2) screws marked [C120a]. (Fig. 8)
- 7-6. Remove the hexagonal nut marked [C60] and the screw marked [C100a]. The earth cable can then be removed. (Photo 5)
- 7-7. Remove the two (2) screws marked [C120b]. The FET cover can then be removed. (Photo.6)
- 7-8. Remove the twenty-four (24) screws marked [C120c]. The ACIN Angle and the PW circuit board can then be removed. (Fig. 8, 9)

- 7. PW 基板 (所要時間: 約 10 分)
- 7-1 トップカバーを外します。(1 項参照)
- 7-2 フロント Ass'y を外します。(2 項参照)
- 7-3 DM 基板(1/2)を外します。(4 項参照)
- 7-4 [B]の六角ナット 2 個を外します。(図 8)
- 7-5 [C120a]のネジ 2 本を外します。(図 8)
- 7-6 [C60]の六角ナット、[C100a]のネジを外し、アース線を外します。(写真 5)
- 7-7 [C120b]のネジ 2 本を外し、FET カバーを外します。(写真 6)
- 7-8 [C120c]のネジ 24 本を外し、ACIN アンクルと PW 基板を外します。(図 8, 9)



[C120]: Bind Head Screw (+ バインド小ネジ)
3.0X8 MFZN2BL(VA295800)

Fig.8(図8)



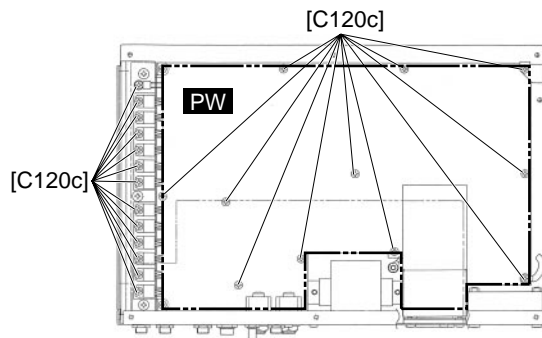
[C60]: Hexagonal Nut (六角ナット)
#1 4.0 MFZN2Y(VB837300)
[C100]: Bind Head Screw (+ バインド小ネジ)
4.0X8 MFZN2BL(EG340360)

Photo.5(写真5)



[C120]: Bind Head Screw (+ バインド小ネジ)
3.0X8 MFZN2BL(VA295800)

Photo.6(写真6)



[C120]: Bind Head Screw (+ バインド小ネジ)
3.0X8 MFZN2BL(VA295800)

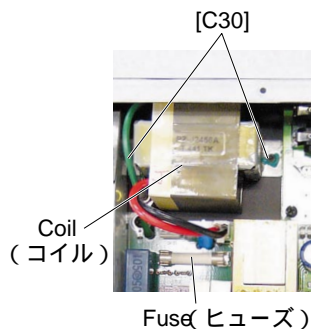
Fig.9(図9)

8. Coil (Time required: About 6 minutes)

- 8-1. Remove the top cover. (See procedure 1.)
- 8-2. Remove the front assembly. (See procedure 2.)
- 8-3. Remove the DM circuit board (1/2).
(See procedure 4)
- 8-4. Remove the two (2) screws marked [C30]. The coil can then be removed. (Photo.7)

8. コイル(所要時間: 約6分)

- 8-1. トップカバーを外します。(1項参照)
- 8-2. フロント Ass'y を外します。(2項参照)
- 8-3. DM 基板(1/2)を外します。(4項参照)
- 8-4. [C30]のネジ2本を外し、コイルを外します。
(写真7)



[C30]: Bind Head Tapping Screw-B (+ バインドBタイト)
3.0X8 MFZN2BL(EP600190)

Photo.7 (写真7)

9. Fan (Time required: About 5 minutes)

- 9-1. Remove the top cover. (See procedure 1.)
- 9-2. Remove the nuts marked [C60] and the four (4) screws marked [C50]. (Photo.8, Fig.10)
- 9-3. Remove the fan. (Photo.8)

9. DC ファン(所要時間: 約5分)

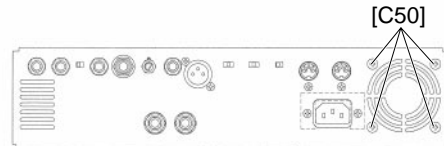
- 9-1 **トップカバーを外します。(1項参照)**
- 9-2 **[C60]のナットと、[C50]のネジ4本を外します。(写真8、図10)**
- 9-3 **DCファンを外します。(写真8)**



Fan
(DCファン)

[C60]: Hexagonal Nut (六角ナット)
#1 4.0 MFZN2Y(VB837300)

Photo.8 (写真8)



[C50]: Bind Head Screw (+ バインド小ネジ)
4.0X30 MFZN2BL(VT229100)

Fig.10 (図10)

■ LSI PIN DESCRIPTION (LSI 端子機能表)

HD6413008VF25 (X4196A00) CPU	13
AK5383VF (X0578A00) A/D	14
AK4393VF-E2 (XW029A00) D/A	14
TDA7571 (X4450A00) DIGITAL POWER AMP	14
YSS910-V (XV988B00) DSP	15

● HD6413008VF25 (X4196A00) CPU

DM: IC106

PIN NO.	NAME	I/O	FUNCTION	PIN NO.	NAME	I/O	FUNCTION
1	VCC/VCL	I/O	Power supply/External capacitor	51	A14	O	Address bus 14
2	CS7/TMO0/TP8/PB0	I/O	Chip select 7/Compare match 0/TPC 8/Port B-0	52	A15	O	Address bus 15
3	CS6/TMO1/TP9/PB1	I/O	Chip select 6/Input capture, Compare match 1/TPC 9/Port B-1	53	A16	O	Address bus 16
4	CS5/TMO2/TP10/PB2	I/O	Chip select 5/Compare match 2/TPC 10/Port B-2	54	A17	O	Address bus 17
5	CS4/TMO3/TP11/PB3	I/O	Chip select 4/Input capture, Compare match 3/TPC 11/Port B-3	55	A18	O	Address bus 18
6	TP12/PB4	I/O	TPC 12/Port B-4	56	A19	O	Address bus 19
7	TP13/PB5	I/O	TPC 13/Port B-5	57	VSS	I	Power supply
8	TP14/PB6	I/O	TPC 14/Port B-6	58	P60/WAIT	I/O	Port 6-0/Wait
9	TP15/PB7	I/O	TPC 15/Port B-7	59	P61/BREQ	I/O	Port 6-1/Bus request
10	RESO	O	Reset	60	P62/BACK	I/O	Port 6-2/Bus request acknowledge
11	VSS	I	Ground	61	P67/ ϕ	I/O	Port 6-7/System clock
12	TXD0/P90	I/O	Transmit data 0/Port 9-0	62	STBY	I	Standby
13	TXD1/P91	I/O	Transmit data 1/Port 9-1	63	RES	I	Reset
14	RXD0/P92	I/O	Receive data 0/Port 9-2	64	NMI	I	Nonmaskable interrupt
15	RXD1/P93	I/O	Receive data 1/Port 9-3	65	VSS	I	Power supply
16	IRQ4/SCK0/P94	I/O	Interrupt request 4/Serial clock 0/Port 9-4	66	EXTAL	I	Crystal resonator or external clock
17	IRQ5/SCK1/P95	I/O	Interrupt request 5/Serial clock 1/Port 9-5	67	XTAL	I	Crystal resonator
18	D0/P40	I/O	Data bus 0/Port 4-0	68	VCC	I	Power supply
19	D1/P41	I/O	Data bus 1/Port 4-1	69	AS	O	Address strobe
20	D2/P42	I/O	Data bus 2/Port 4-2	70	RD	O	Read
21	D3/P43	I/O	Data bus 3/Port 4-3	71	HWR	O	High write
22	VSS	I	Ground	72	LWR	O	Low write
23	D4/P44	I/O	Data bus 4/Port 4-4	73	MD0	I	Operating mode 0
24	D5/P45	I/O	Data bus 5/Port 4-5	74	MD1	I	Operating mode 1
25	D6/P46	I/O	Data bus 6/Port 4-6	75	MD2	I	Operating mode 2
26	D7/P47	I/O	Data bus 7/Port 4-7	76	AVCC	I	Power supply
27	D8	I/O	Data bus 8	77	VREF	I	Reference voltage
28	D9	I/O	Data bus 9	78	P70/AN0	I/O	Port 7-0/Analog 0
29	D10	I/O	Data bus 10	79	P71/AN1	I/O	Port 7-1/Analog 1
30	D11	I/O	Data bus 11	80	P72/AN2	I/O	Port 7-2/Analog 2
31	D12	I/O	Data bus 12	81	P73/AN3	I/O	Port 7-3/Analog 3
32	D13	I/O	Data bus 13	82	P74/AN4	I/O	Port 7-4/Analog 4
33	D14	I/O	Data bus 14	83	P75/AN5	I/O	Port 7-5/Analog 5
34	D15	I/O	Data bus 15	84	P76/AN6/DA0	I/O	Port 7-6/Analog 6/D/A converter 0
35	VCC	I	Power supply	85	P77/AN7/DA1	I/O	Port 7-7/Analog 7/D/A converter 1
36	A0	O	Address bus 0	86	AVSS	I	Ground
37	A1	O	Address bus 1	87	IRQ0/P80	I/O	Interrupt request 0/Port 8-0
38	A2	O	Address bus 2	88	CS3/IRQ1/P81	I/O	Chip select 3/Interrupt request 1/Port 8-1
39	A3	O	Address bus 3	89	CS2/IRQ2/P82	I/O	Chip select 2/Interrupt request 2/Port 8-2
40	A4	O	Address bus 4	90	ADTRG/CS1/IRQ3/P83	I/O	A/D conversion/Chip select 1/Interrupt request 3/Port 8-3
41	A5	O	Address bus 5	91	CS0/P84	I/O	Chip select 0/Port 8-4
42	A6	O	Address bus 6	92	VSS	I	Power supply
43	A7	O	Address bus 7	93	TCLKA/TP0/PA0	I/O	Clock input A/TPC 0/Port A-0
44	VSS	I	Power supply	94	TCLKB/TP1/PA1	I/O	Clock input B/TPC 1/Port A-1
45	A8	O	Address bus 8	95	TCLKC/TIOCA0/TP2/PA2	I/O	Clock input C/Capture, compare A0/TPC 2/Port A-2
46	A9	O	Address bus 9	96	TCLKD/TIOCB0/TP3/PA3	I/O	Clock input D/Capture, compare B0/TPC 3/Port A-3
47	A10	O	Address bus 10	97	A23/TIOCA1/TP4/PA4	I/O	Address bus 23/Capture, compare A1/TPC 4/Port A-4
48	A11	O	Address bus 11	98	A22/TIOCB1/TP5/PA5	I/O	Address bus 22/Capture, compare B1/TPC 5/Port A-5
49	A12	O	Address bus 12	99	A21/TIOCA2/TP6/PA6	I/O	Address bus 21/Capture, compare A2/TPC 6/Port A-6
50	A13	O	Address bus 13	100	A20/TIOCB2/TP7/PA7	I/O	Address bus 20/Capture, compare B2/TPC 7/Port A-7

• AK5383VF (X0578A00) A/D

DM: IC122

PIN NO.	NAME	I/O	FUNCTION	PIN NO.	NAME	I/O	FUNCTION
1	VREFL	O	Voltage reference	15	SDATA	O	Serial data
2	GNDL	-	Ground	16	FSYNC	I/O	Flame synchronize
3	VCOML	O	Common	17	MCLK	I	Master clock
4	AINL+	I	Analog input +	18	DFS	I	Double fast sampling mode
5	AINL-	I	Analog input -	19	HPFE	I	HPF Enable
6	ZCAL	I	Zero calibration	20	TEST	I	Test
7	VD	-	Voltage digital +3.3V	21	BGND	-	Ground
8	DGND	-	Ground	22	AGND	-	Ground
9	CAL	O	Calibration status	23	VA	-	Voltage +5V
10	RST	I	Reset	24	AINR-	I	Analog input -
11	SMODE2	I	Serial interface mode2	25	AINR+	I	Analog input +
12	SMODE1	I	Serial interface mode1	26	VCOMR	O	Common
13	LRCK	I/O	L/R Clock	27	GNDR	-	Ground
14	SCLK	I/O	Serial data clock	28	VREFR	O	Voltage reference

• AK4393VF-E2 (XW029A00) DAC (Digital to Analog Converter)

DM: IC123

PIN NO.	NAME	I/O	FUNCTION	PIN NO.	NAME	I/O	FUNCTION		
1	DVSS	-	Digital ground	15	BVSS	-	Substrate ground		
2	DVDD	-	Digital power supply	16	VREFL	I	Low level voltage reference		
3	MCLK	I	Master clock	17	VREFH	I	High level voltage reference		
4	/PD	I	Power down mode	18	AVDD	-	Analog power supply +5 V		
5	BICK	I	Audio serial data clock	19	AVSS	-	Analog ground		
6	SDATA	I	Audio serial data input	20	AOUTR-	O	Rch negative analog output		
7	LRCK	I	L/R clock	21	AOUTR+	O	Rch positive analog output		
8	SMUTE//CS	I	Soft mute	22	AOUL-	O	Lch negative analog output		
9	DFS	I	Double speed sampling mode	23	AOUL+	O	Lch positive analog output		
10	DEMO/CCLK	I	De-emphasis enable	24	VCOM	O	Common voltage output		
11	DEM1/CDTI	I		Digital input format	25	P//S	I	Parallel/serial select	
12	DIF0	I			Master clock select	26	CKS0	I	
13	DIF1	I				CKS1	27	CKS1	
14	DIF2	I	28				CKS2	I	

• TDA7571 (X4450A00) DIGITAL POWER AMPLIFIER

PW: IC107

PIN NO.	NAME	I/O	FUNCTION	PIN NO.	NAME	I/O	FUNCTION
1	(N.C)			33	bridge		Stereo/Bridge Selection
2	(N.C)			34	L/R		Bridge Left/Right Selection
3	(N.C)			35	Rfs		pcm-pwm gain conversion resistor
4	Gpr	I/O	Gate PMOS, Right Channel	36	THWint	O	Internal Thermal Warning Output
5	Gprs	I/O	Sense Gate PMOS, Right Channel	37	THWext	O	External Thermal Warning Output
6	+Vs-5		Power Supply	38	NTC	O	Sensing Resistors Network
7	Spr2	I	Sensing 2 PMOS, Right Channel	39	f		
8	Spr1	I	Sensing 1 PMOS, Right Channel	40	5Vdig	O	Digital 5V Supply Output
9	+Vs-Vref1	I	Supply Drivers PMOS	41	P/O		PLL/FREE Running Osc. Option
10	pgnd		Power Ground	42	+Vs-low	I	Positive Voltage Supply Low Power
11	(N.C)			43	d1		Dither 1
12	+Vs	I	Positive Power Supply	44	d2		Dither 2
13	Sp1	I	Sensing 1 PMOS, Left Channel	45	t1		
14	Sp12	I	Sensing 2 PMOS, Left Channel	46	MCLK	I	Master Clock Input
15	-Vs+5		Power Supply	47	t2		
16	(N.C)			48	SD	I	I2S Serial Data
17	Gpls	I/O	Sense Gate PMOS, Left Channel	49	WS	I	I2S Word Select
18	Gpl	I/O	Gate PMOS, Left Channel	50	SCK	I	I2S Serial Clock
19	(N.C)			51	(N.C)		
20	(N.C)			52	-2.5V	O	Signal -2.5V Supply Output
21	Gnl	I/O	Gate NMOS, Left Channel	53	sgnd	O	Signal Ground
22	Gnls	I/O	Sense Gate NMOS, Left Channel	54	+2.5V	O	Signal 2.5V Supply Output
23	Sn12	I	Sensing 2 NMOS, Left Channel	55	MUTE	I	Mute Input
24	Sn1	I	Sensing 1 NMOS, Left Channel	56	ST-BY	I	Stand By Input
25	-Vs+Vrefl	I	Supply Drivers NMOS, Left Channel	57	Feed R in	O	Feedback Network Right Channel
26	-Vs	I	Negative Power supply	58	-Vs	O	Negative Voltage Supply
27	-Vs	I	Negative Power supply	59	-Vs	O	Negative Voltage Supply
28	Feed L in	O	Feedback Network Left Channel	60	-Vs+Vrefr	I	Supply Drivers NMOS, Right Channel
29	CDsel1		Clip Detector Selection 1	61	Snr1	I	Sensing 2 NMOS, Right Channel
30	CDsel2		Clip Detector Selection 2	62	Snr2	I	Sensing 1 NMOS, Right Channel
31	CD	O	Clip Detector Output	63	Gnrs	I/O	Sense Gate NMOS, Right Channel
32	dgnd		Digital Ground	64	Gnr	I/O	Gate NMOS, Left Channel

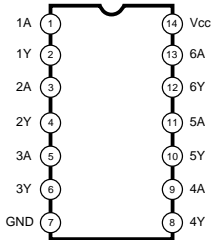
● YSS910-V (XV988B00) DSP6 (Digital Signal Processor)

DM: IC104

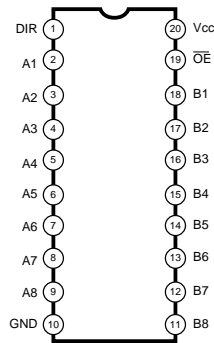
PIN NO.	NAME	I/O	FUNCTION	PIN NO.	NAME	I/O	FUNCTION	
1	Vdd		Power supply (3.3 V)	89	Vss		Ground	
2	Vss		Ground	90	DB13	I/O	Parallel data bus	
3	XI	I	System master clock input (60 MHz or 30 MHz)	91	DB14	I/O		
4	XO	O	System master clock output (High or 30 MHz)	92	DB15	I/O		
5	Vdd5		Power supply (5 V)	93	DB16	I/O		
6	/SYNCI	I	Sync. signal input	94	DB17	I/O	Parallel data bus	
7	/SYNCO	O	Sync. signal output	95	DB18	I/O		
8	Vdd5		Power supply (5 V)	96	DB19	I/O	Parallel data bus	
9	CKI	I	System clock input (30 MHz)	97	DB20	I/O		
10	CKO	O	System clock output (30 MHz)	98	DB21	I/O		
11	CKSEL	I	System master clock select (0: 60 MHz, 1: 30 MHz)	99	DB22	I/O	Ground	
12	Vss		Ground	100	Vss			
13	MCKS	I	Serial I/O master clock input (128 x Fs)	101	Vdd		Power supply (3.3 V)	
14	/SSYNC	I	Serial I/O Sync. signal output	102	DB23	I/O	Parallel data bus	
15	/IC	I	Initial clear (RESET)	103	DB24	I/O		
16	/TEST	I	Test mode setting (0: Test, 1: Normal)	104	DB25	I/O		
17	BTYP	I	Data bus type select (0: 8 bit, 1: 16 bit)	105	DB26	I/O		
18	/IRQ	O	IRQ output	106	DB27	I/O	Parallel data bus	
19	TRIG	I/O	Trigger signal input/output	107	DB28	I/O		
20	Vdd5		Power supply (5 V)	108	DB29	I/O	Parallel data bus	
21	Vss		Ground	109	DB30	I/O		
22	/CS	I	chip select signal input	110	DB31	I/O		
23	/WR	I	Write signal input	111	TIMO/DBOB	I/O	Timing signal output/ Parallel data bus output/ input	
24	/RD	I	Read signal input	112	Vss		Ground	
25	CA7	I/O	Address bus of internal register	113	Vdd5		Power supply (5 V)	
26	CA6	I/O			114	DA00	I/O	Memory data bus
27	CA5	I/O			115	DA01	I/O	
28	CA4	I/O			116	DA02	I/O	
29	CA3	I/O			117	DA03	I/O	
30	CA2	I/O			118	DA04	I/O	
31	CA1	I/O			119	DA05	I/O	
32	Vss		Ground	120	DA06	I/O	Ground	
33	Vdd		Power supply (3.3 V)	121	DA07	I/O		
34	CD15	I/O	Data bus of internal register	122	Vss		Ground	
35	CD14	I/O			123	DA08	I/O	Memory data bus
36	CD13	I/O			124	DA09	I/O	
37	CD12	I/O			125	DA10	I/O	
38	CD11	I/O			126	DA11	I/O	
39	CD10	I/O			127	DA12	I/O	
40	CD09	I/O			128	DA13	I/O	
41	CD08	I/O		129	DA14	I/O		
42	CD07	I/O	Ground	130	DA15	I/O	Ground	
43	CD06	I/O			131	Vss		
44	Vss		Ground	132	Vdd		Power supply (3.3 V)	
45	Vdd		Power supply (3.3 V)	133	(n.c)		Not used	
46	Vdd5		Power supply (5 V)	134	Vdd5		Power supply (5 V)	
47	CD05	I/O	Data bus of internal register	135	DA16	I/O	Memory data bus	
48	CD04	I/O			136	DA17		I/O
49	CD03	I/O			137	DA18		I/O
50	CD02	I/O			138	DA19		I/O
51	CD01	I/O			139	DA20		I/O
52	CD00	I/O			140	DA21		I/O
53	/WAIT	O		WAIT output	141	DA22		I/O
54	Vss		Ground	142	DA23	I/O		
55	SI0	I	Serial data input	143	Vss		Ground	
56	SI1	I			144	DA24	I/O	Memory data bus
57	SI2	I			145	DA25	I/O	
58	SI3	I			146	DA26	I/O	
59	SI4	I			147	DA27	I/O	
60	SI5	I			148	DA28	I/O	
61	SI6	I			149	DA29	I/O	
62	SI7	I		150	DA30	I/O		
63	Vss		Ground	151	DA31	I/O	Power supply (5 V)	
64	Vdd5		Power supply (5 V)	152	Vdd5			
65	SO0	O	Serial data output	153	Vss		Ground	
66	SO1	O			154	A00	O	Memory address (SRAM, PSRAM, DRAM)
67	SO2	O			155	A01	O	
68	SO3	O			156	A02	O	
69	SO4	O			157	A03	O	
70	SO5	O			158	A04	O	
71	SO6	O			159	A05	O	
72	SO7	O	Ground	160	A06	O	Ground	
73	Vss				161	A07		O
74	DB00	I/O	Parallel data bus	162	A08	O	Ground	
75	DB01	I/O			163	A09		O
76	DB02	I/O			164	Vss		Ground
77	DB03	I/O			165	Vdd		Power supply (3.3 V)
78	DB04	I/O			166	A10	O	Memory address (SRAM, PSRAM, DRAM)
79	DB05	I/O			167	A11	O	
80	DB06	I/O			168	A12	O	Memory address (SRAM, PSRAM)
81	DB07	I/O			169	A13	O	
82	DB08	I/O			170	A14	O	
83	DB09	I/O		Memory address (SRAM, PSRAM), /RAS (DRAM)	171	A15/RAS	O	Memory address (SRAM, PSRAM), /CAS (DRAM)
84	DB10	I/O			172	A16/CAS	O	
85	DB11	I/O	Memory address (SRAM), /CE (PSRAM)	173	A17/CE	O	Memory write enable signal	
86	DB12	I/O			174	/WE		O
87	Vdd5		Power supply (5 V)	175	/OE	O	Memory output enable signal	
88	Vdd		Power supply (3.3 V)	176	Vdd5		Power supply (5 V)	

IC BLOCK DIAGRAM (IC ブロック図)

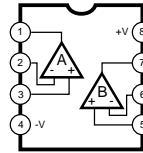
- **SN74LVU04APWR (X3936A00)**
DM: IC116
Inverter



- **SN74LV245APWR (X3693A00)**
DM: IC107,109,110
Transceiver

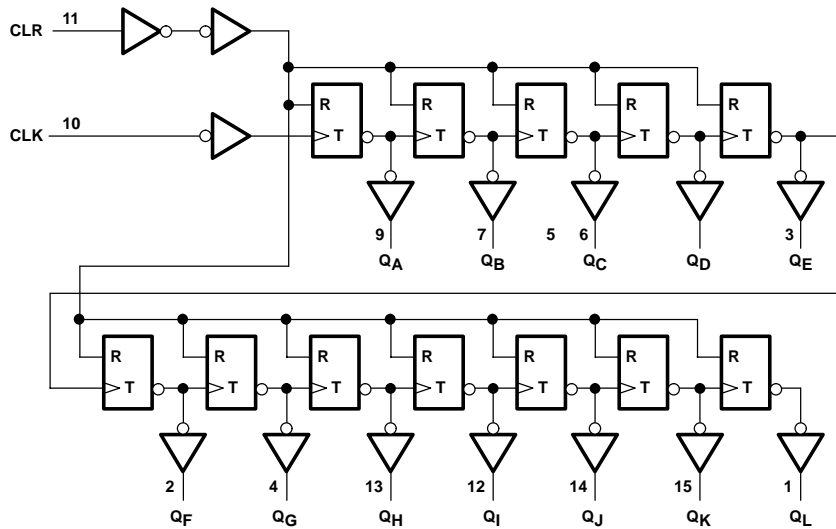
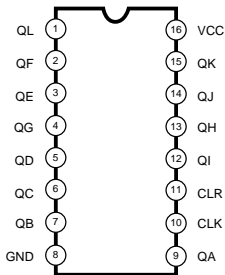


- **NJM5532M-TE1 (X4980A00)**
DM: IC112-115
- **NJM4556AM-TE1 (X5049A00)**
DM: IC117,118
- **NJM072BM-E(TE1) (X4543A00)**
DM: IC301
OP AMP

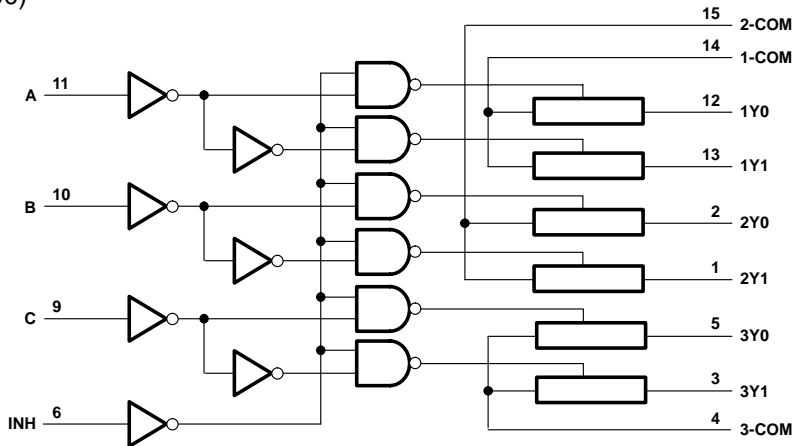
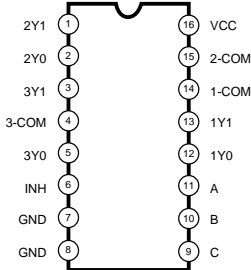


- PIN FUNCTION
1. A OUTPUT
 2. A- INPUT
 3. A+ INPUT
 4. V-
 5. B+ INPUT
 6. B- INPUT
 7. B OUTPUT
 8. V+

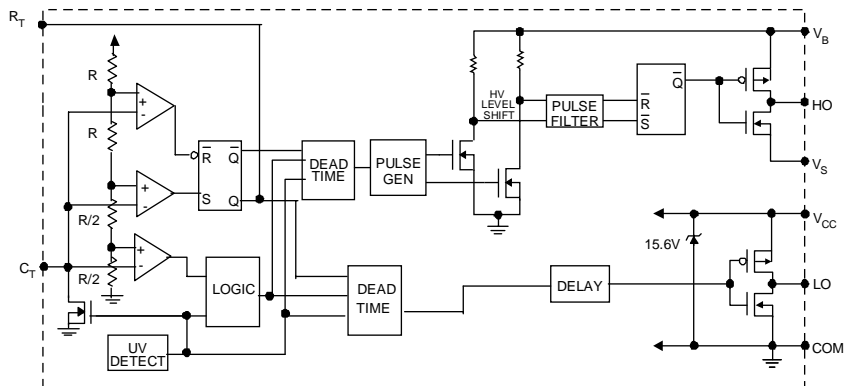
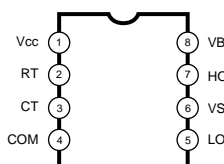
- **SN74LV4040APWR (X3935A00)**
DM: IC119
NAND



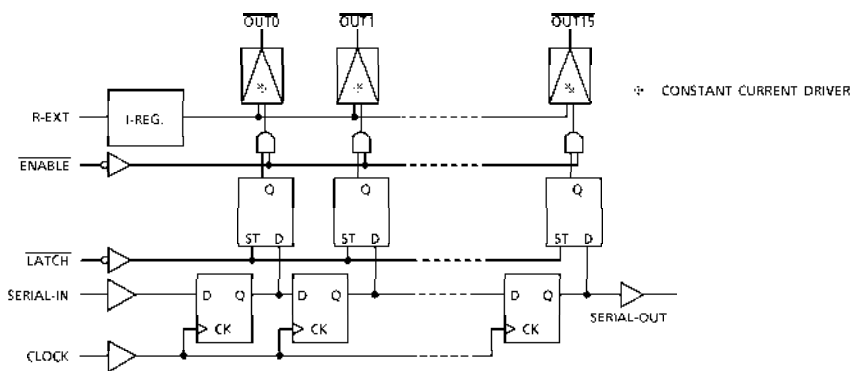
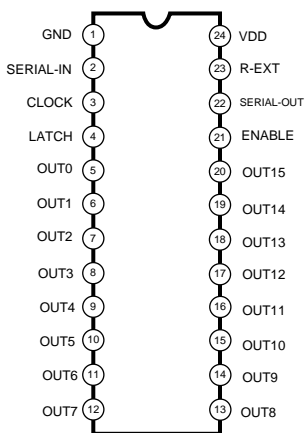
- **SN74LV4053APWR (X2719A00)**
DM: IC108
MULTIPLEXER



● **IR2153 (X2264A00)**
 PW: IC102
 Controller



● **TB62726AF (X4257A00)**
 PN: IC401
 Driver



■ CIRCUIT BOARDS(シート基板図)

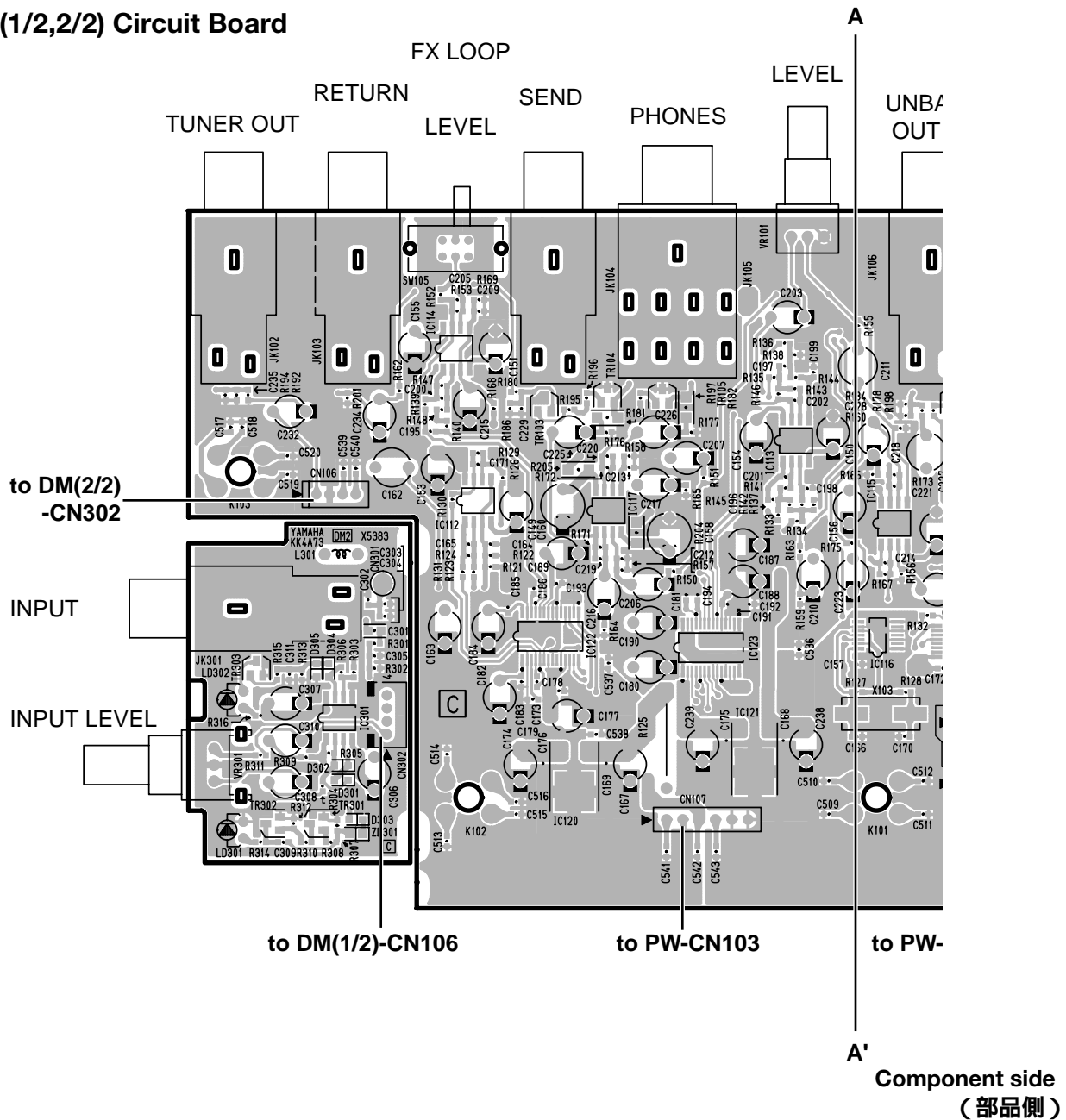
● CONTENTS

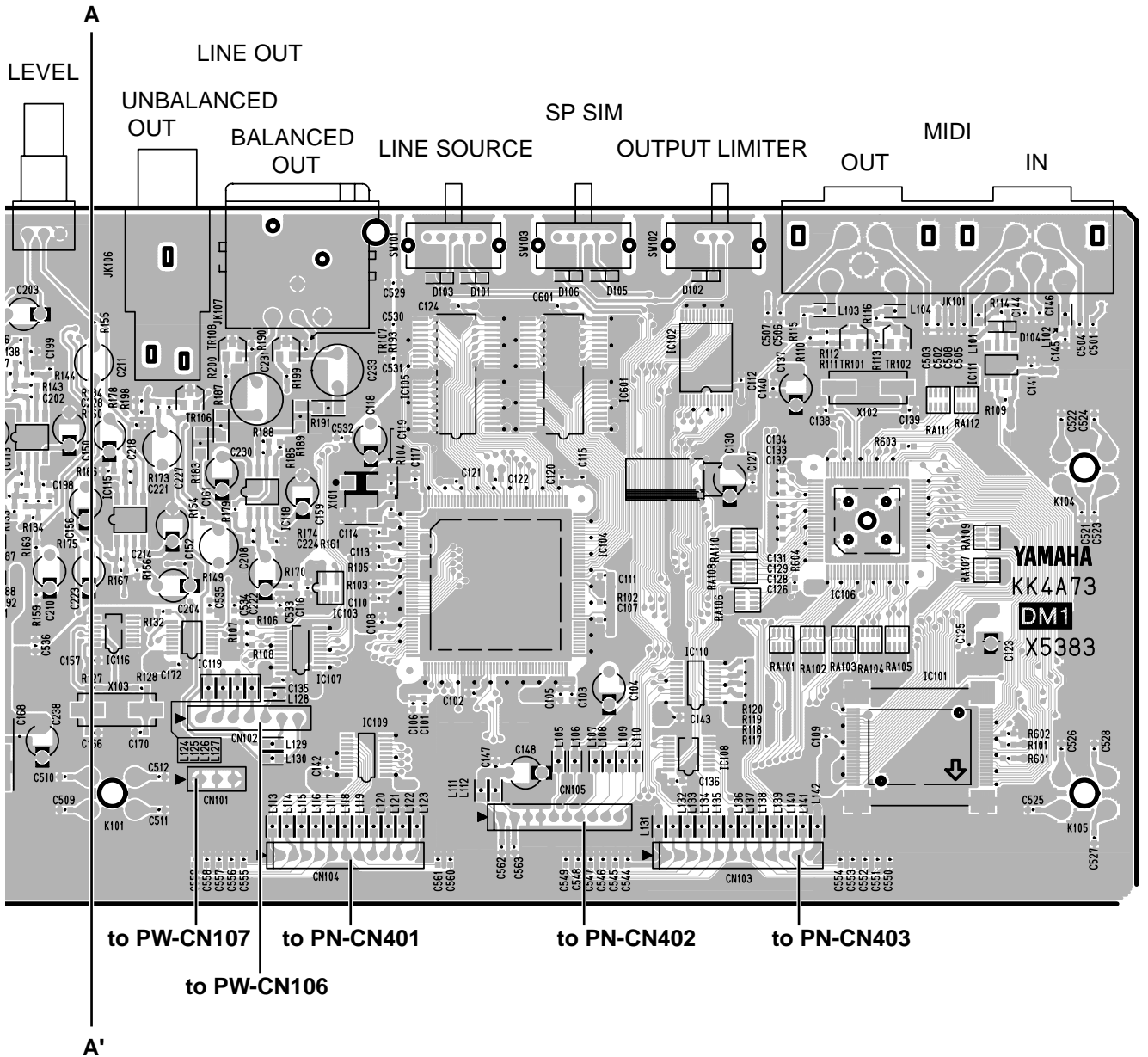
DM(1/2,2/2) Circuit Board (X5383C0)	18
PN Circuit Board (X5384A0)	22
PW Circuit Board (X4590D0)	24
PW Circuit Board (X4590E0)	28

Note: See parts list for details of circuit board component parts.

注：シートの部品詳細はパーツリストをご参照ください。

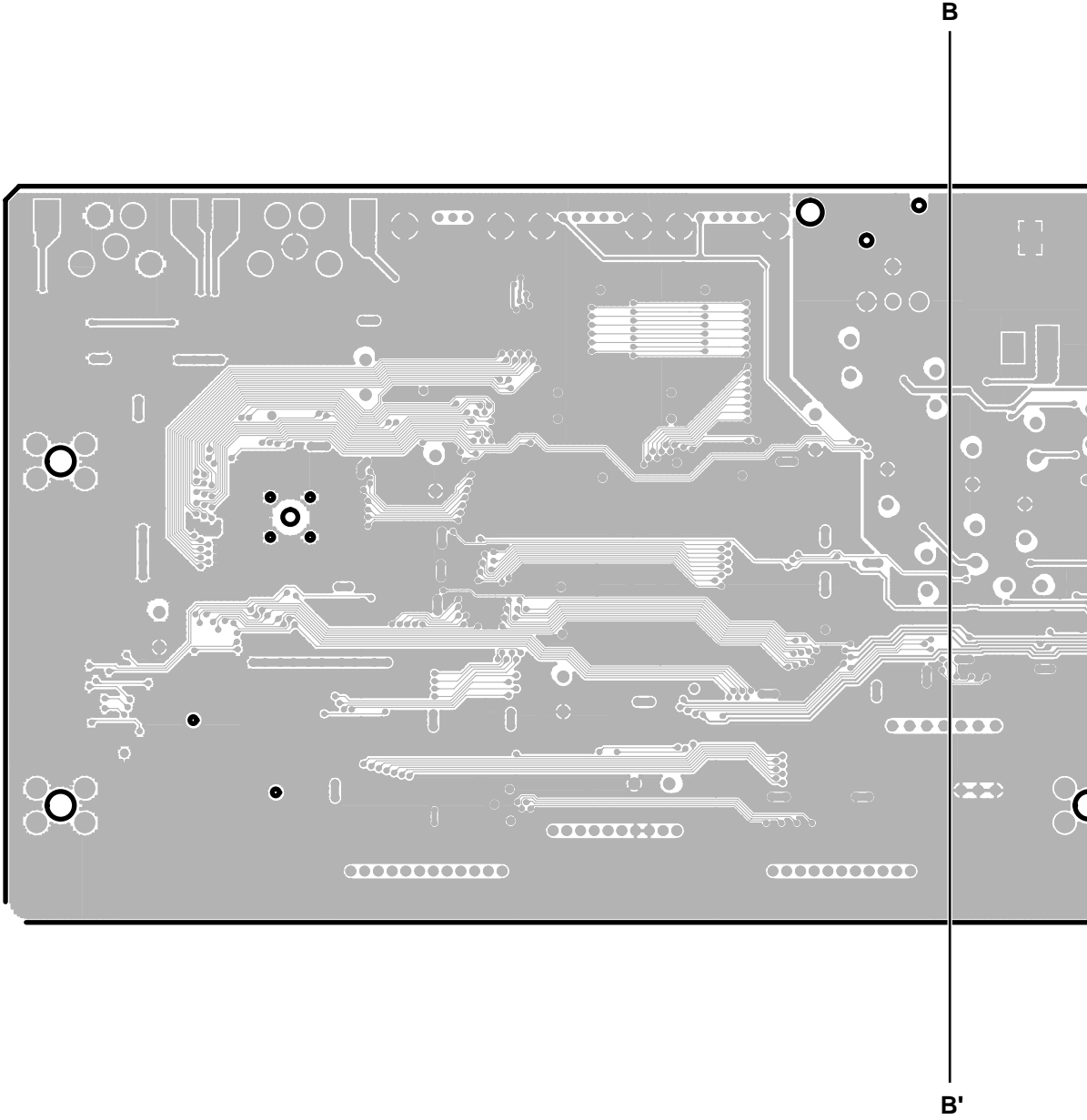
● DM(1/2,2/2) Circuit Board



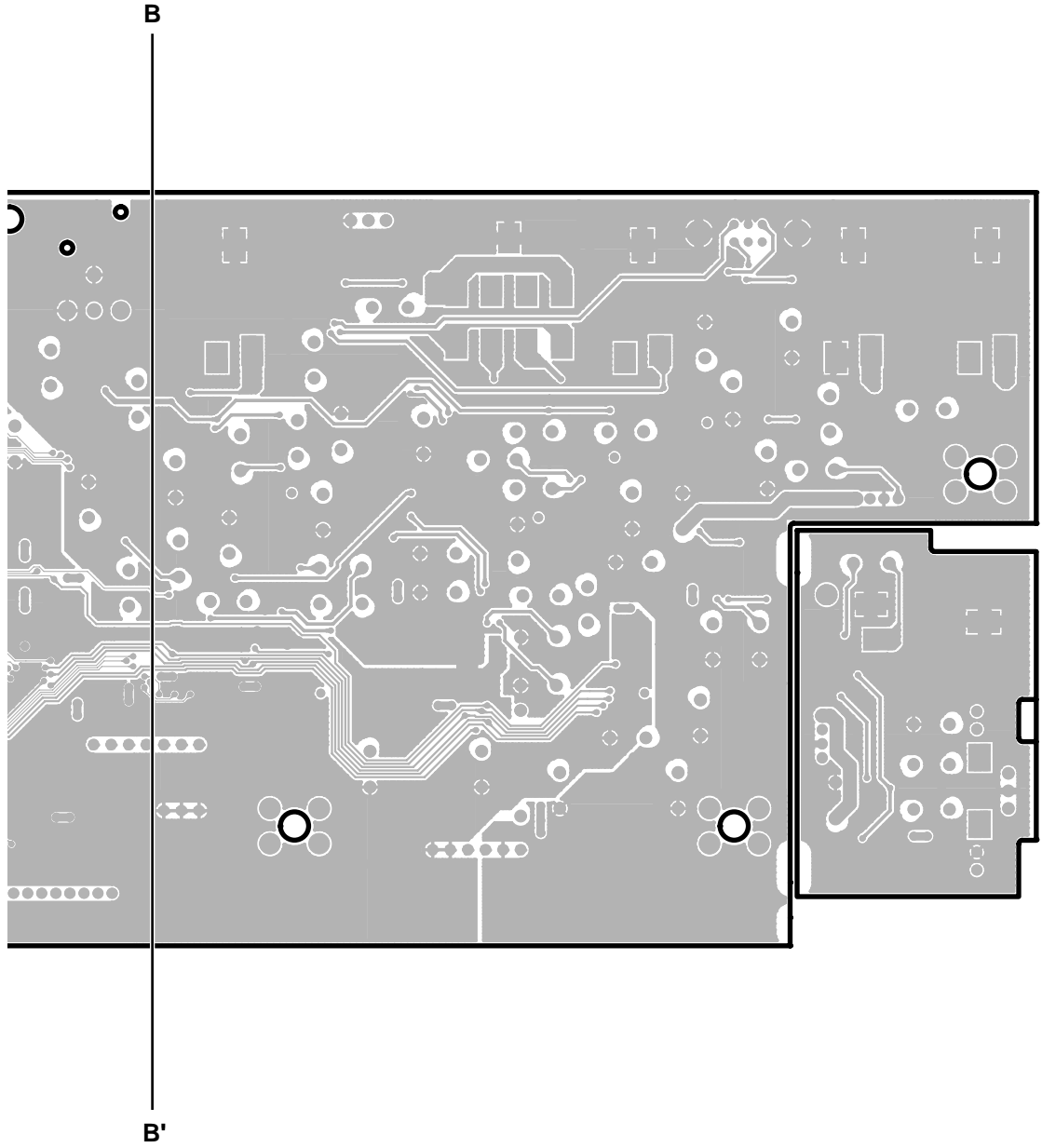


to PW-CN107 to PN-CN401 to PN-CN402 to PN-CN403
 to PW-CN106

Component side
 (部品側)

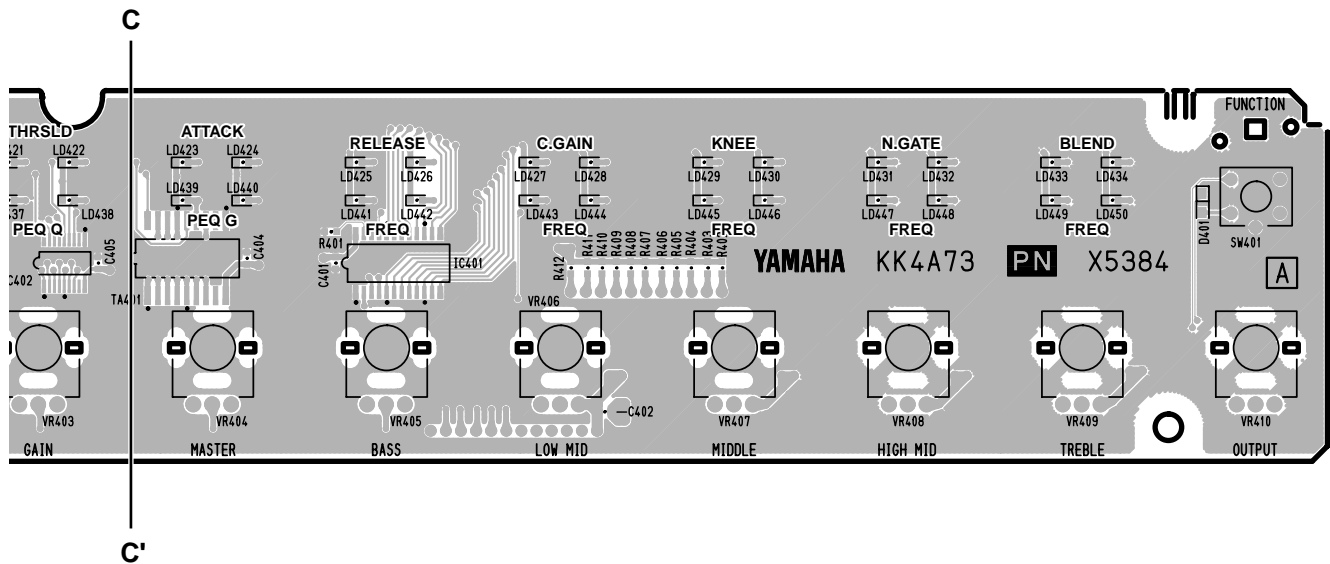
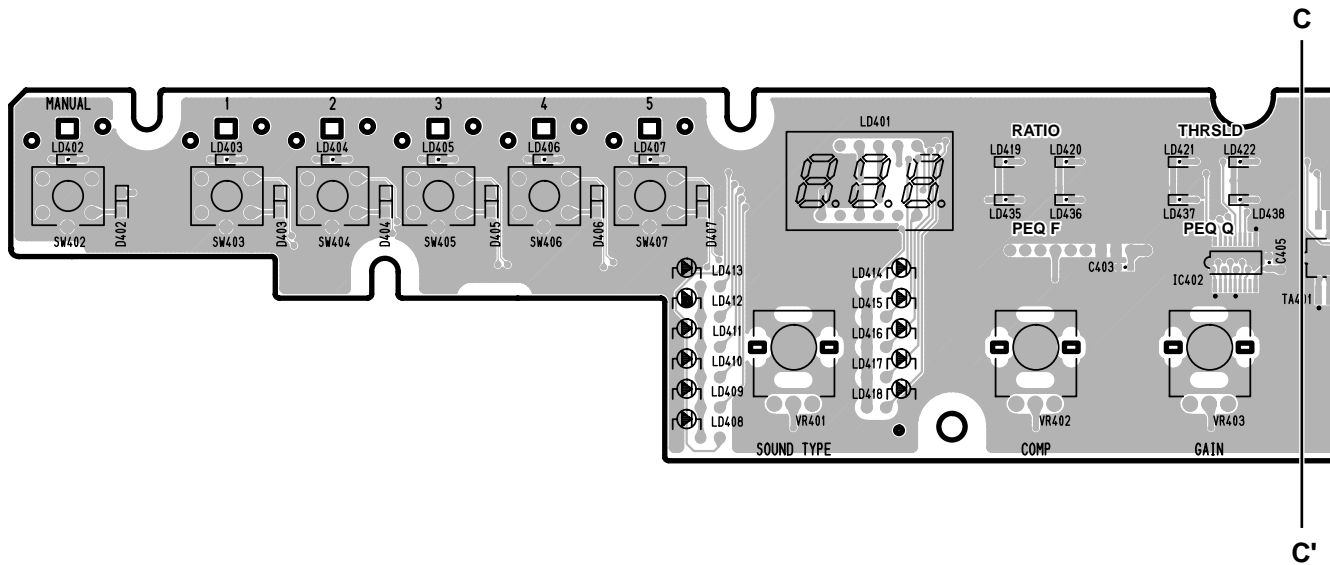


Pattern side
(パターン側)

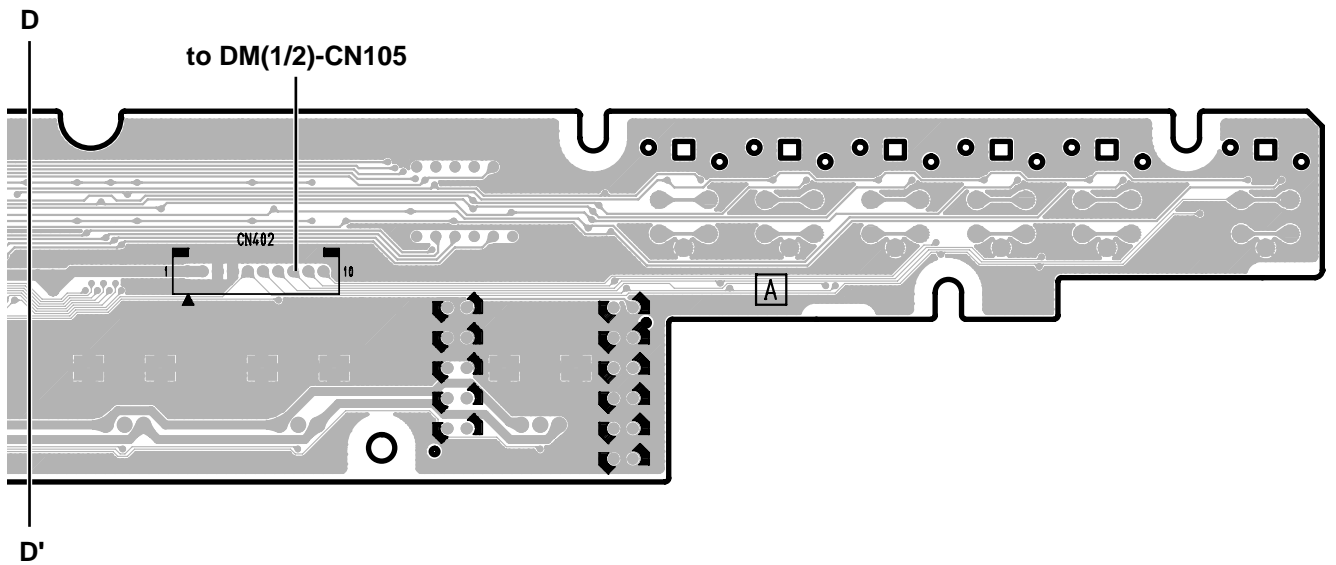
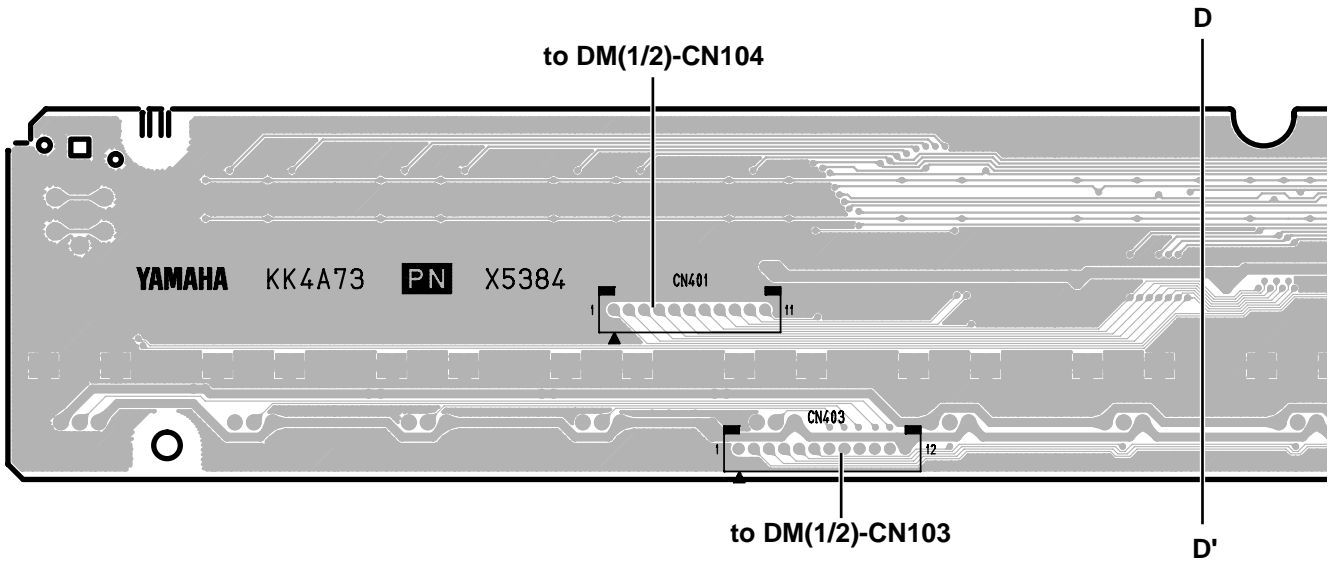


Pattern side
(パターン側)

● PN Circuit Board

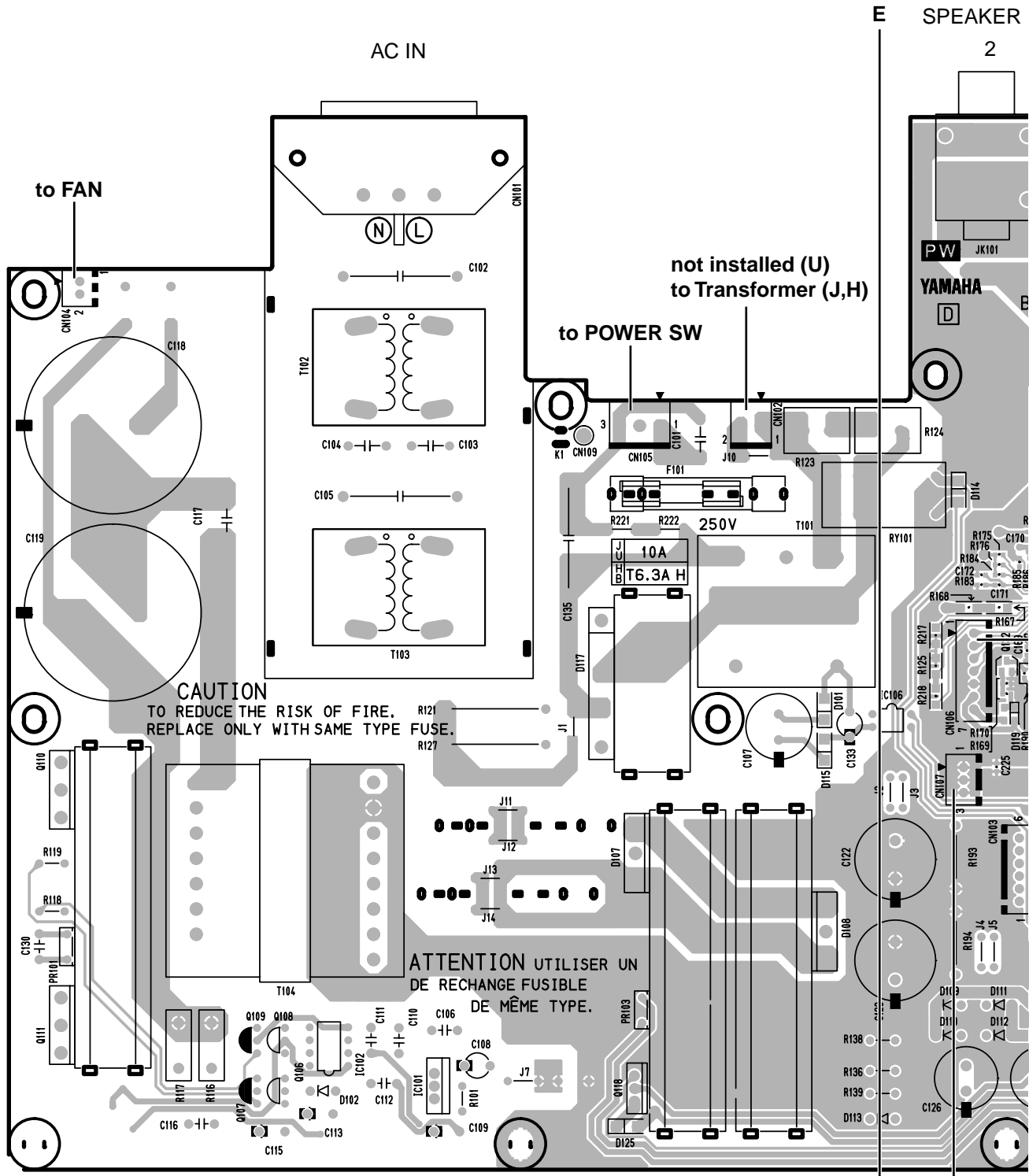


Component side
(部品側)



Pattern side
(パターン側)

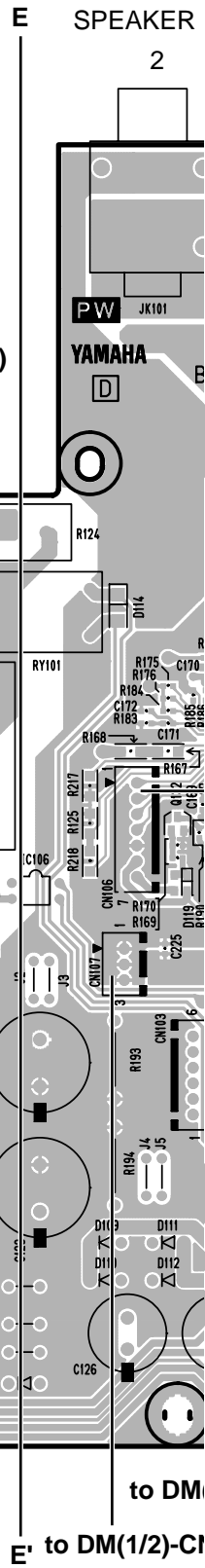
• PW Circuit Board (X4590D0)



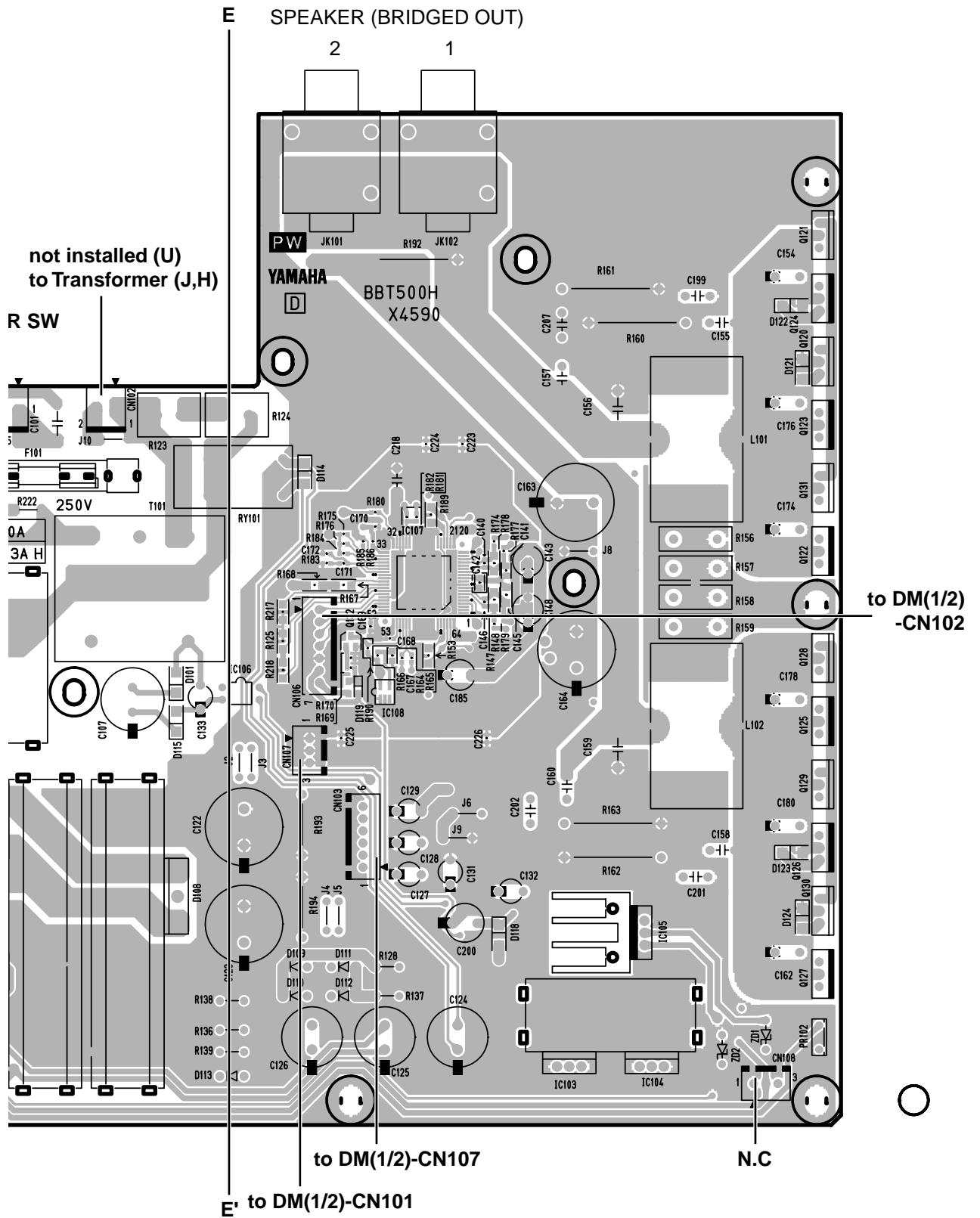
CAUTION
 TO REDUCE THE RISK OF FIRE,
 REPLACE ONLY WITH SAME TYPE FUSE.

**ATTENTION UTILISER UN
 DE RECHANGE FUSIBLE
 DE MÊME TYPE.**

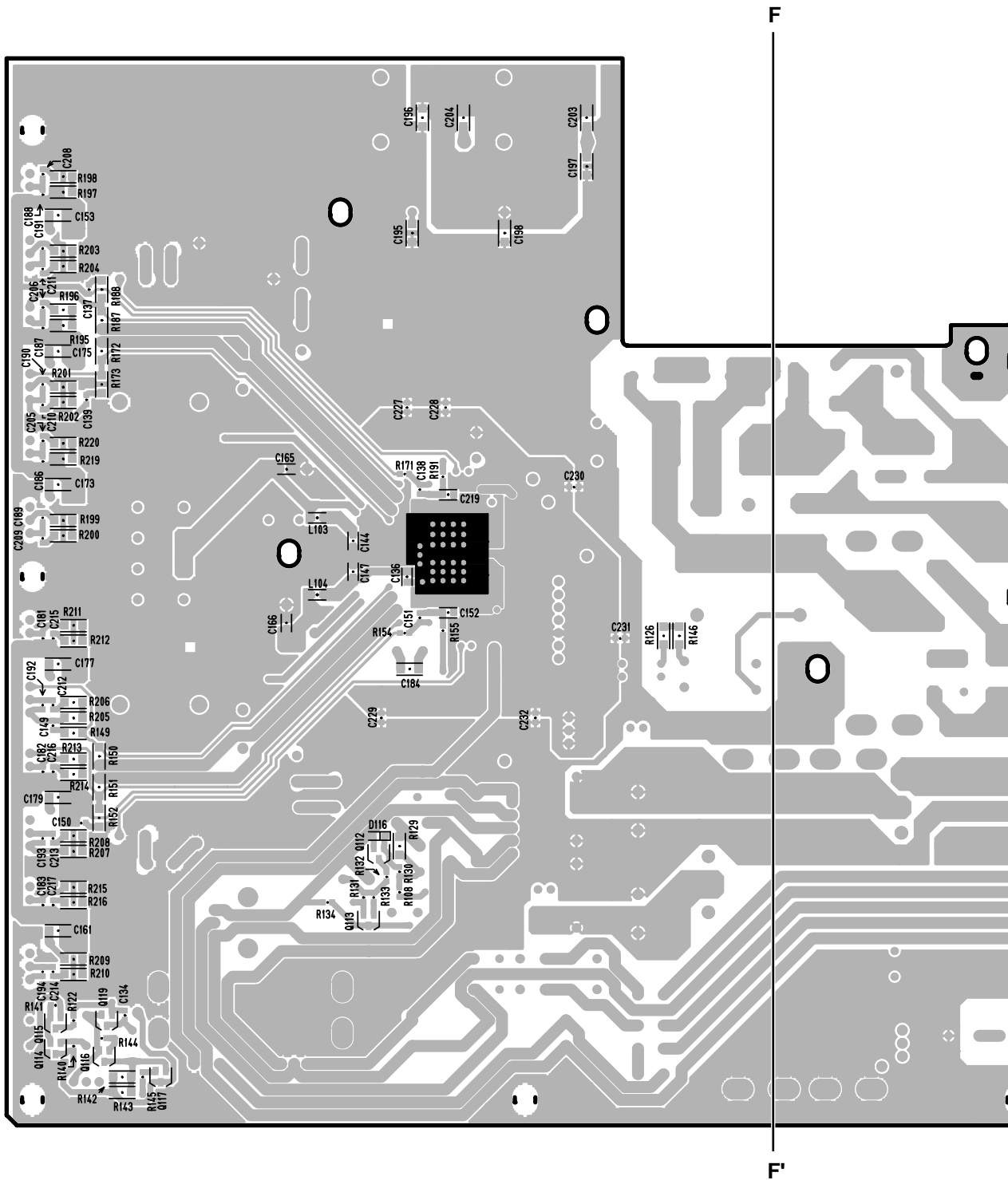
not installed (U)
 to Transformer (J,H)



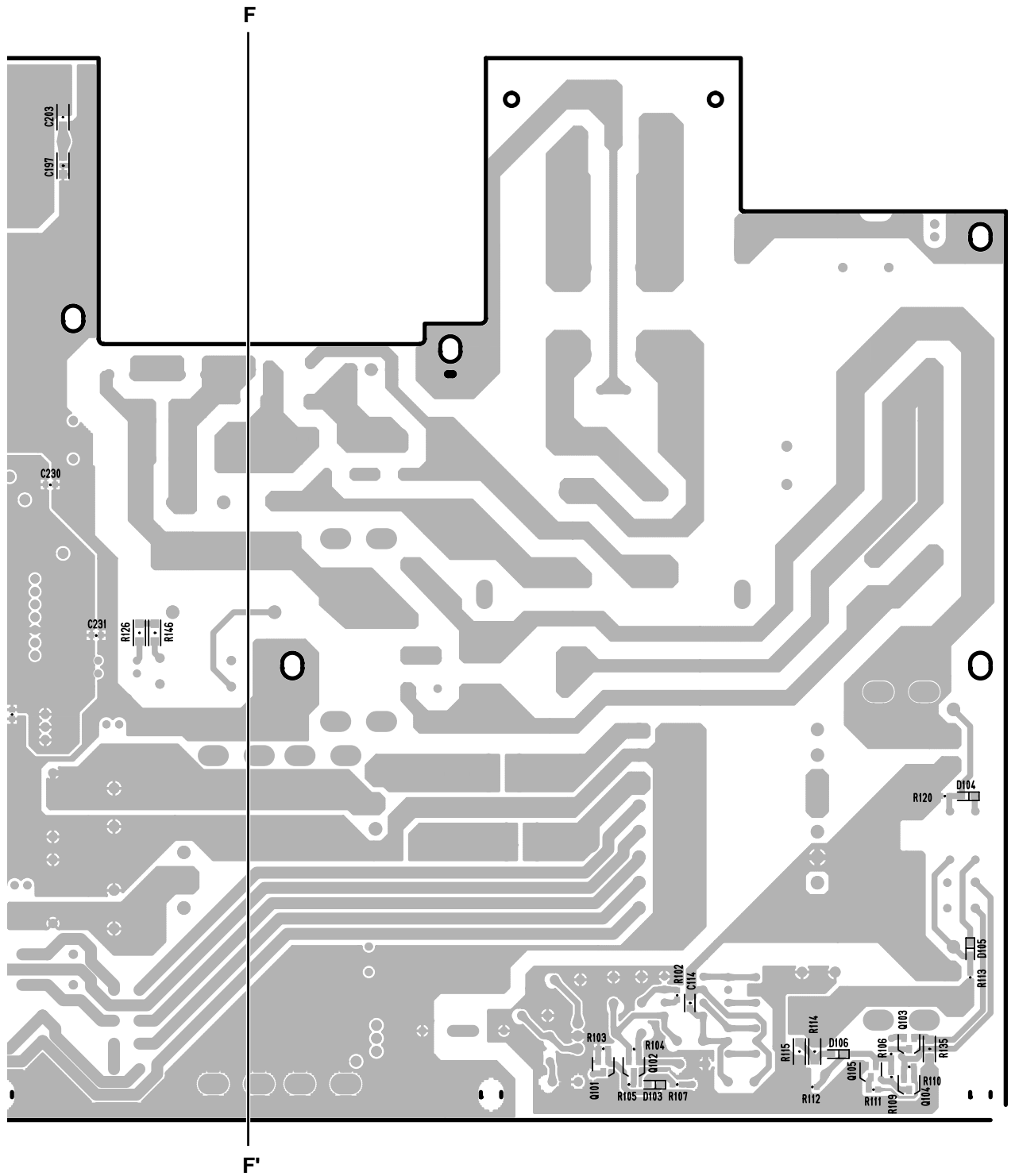
**Component side
 (部品側)
 4NA-WC89690-3**



Component side
(部品側)

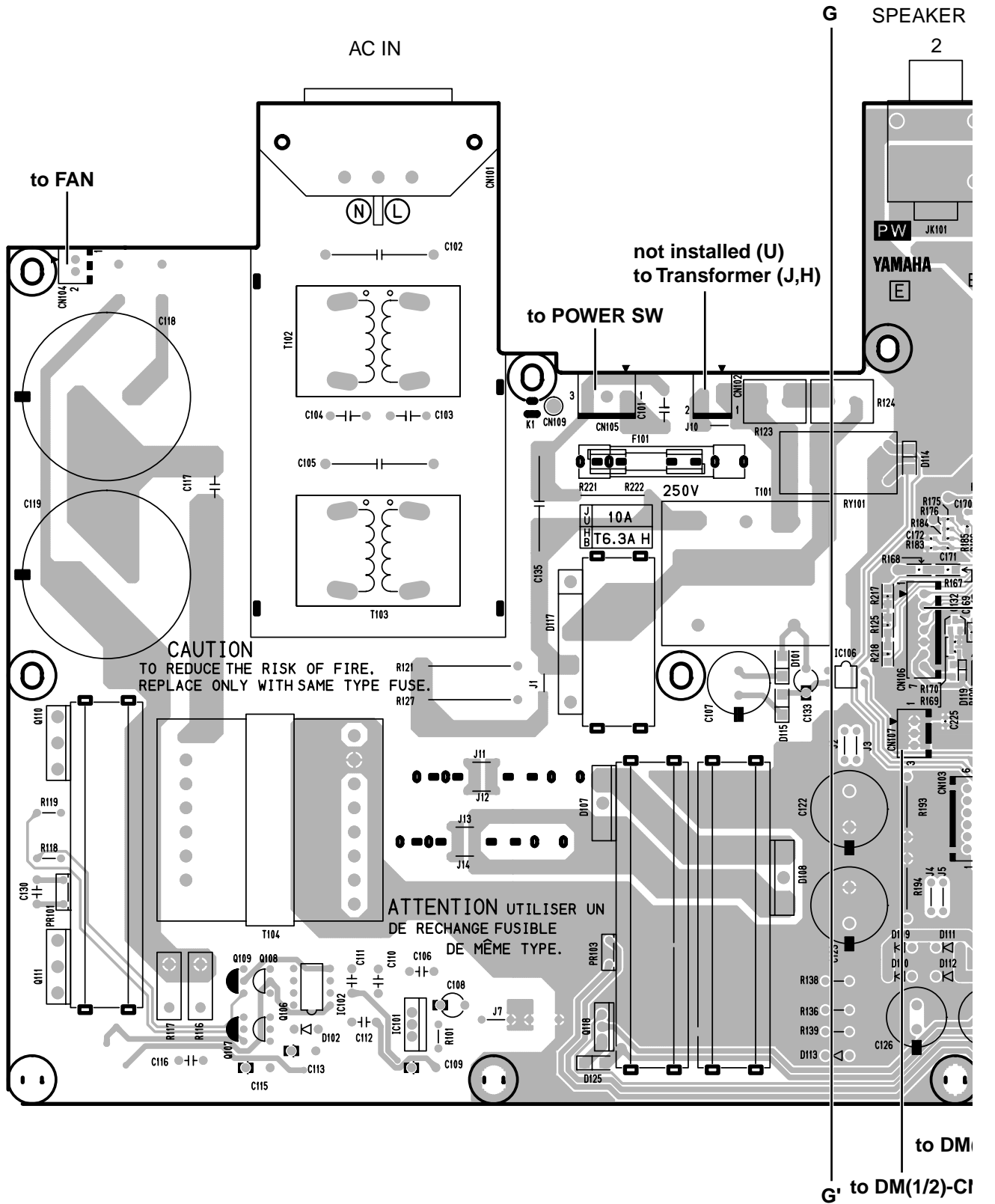


Pattern side
(パターン側)

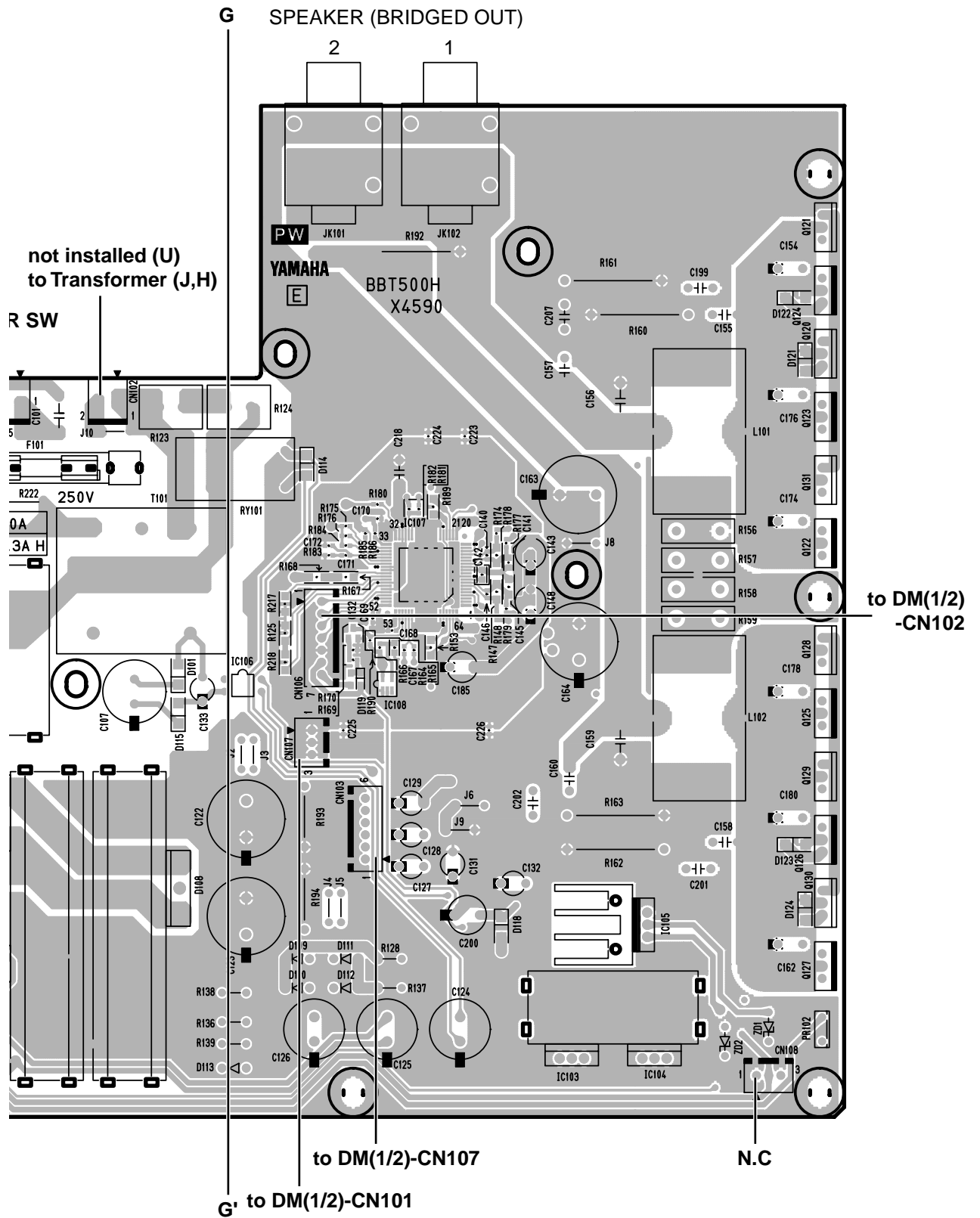


Pattern side
(パターン側)

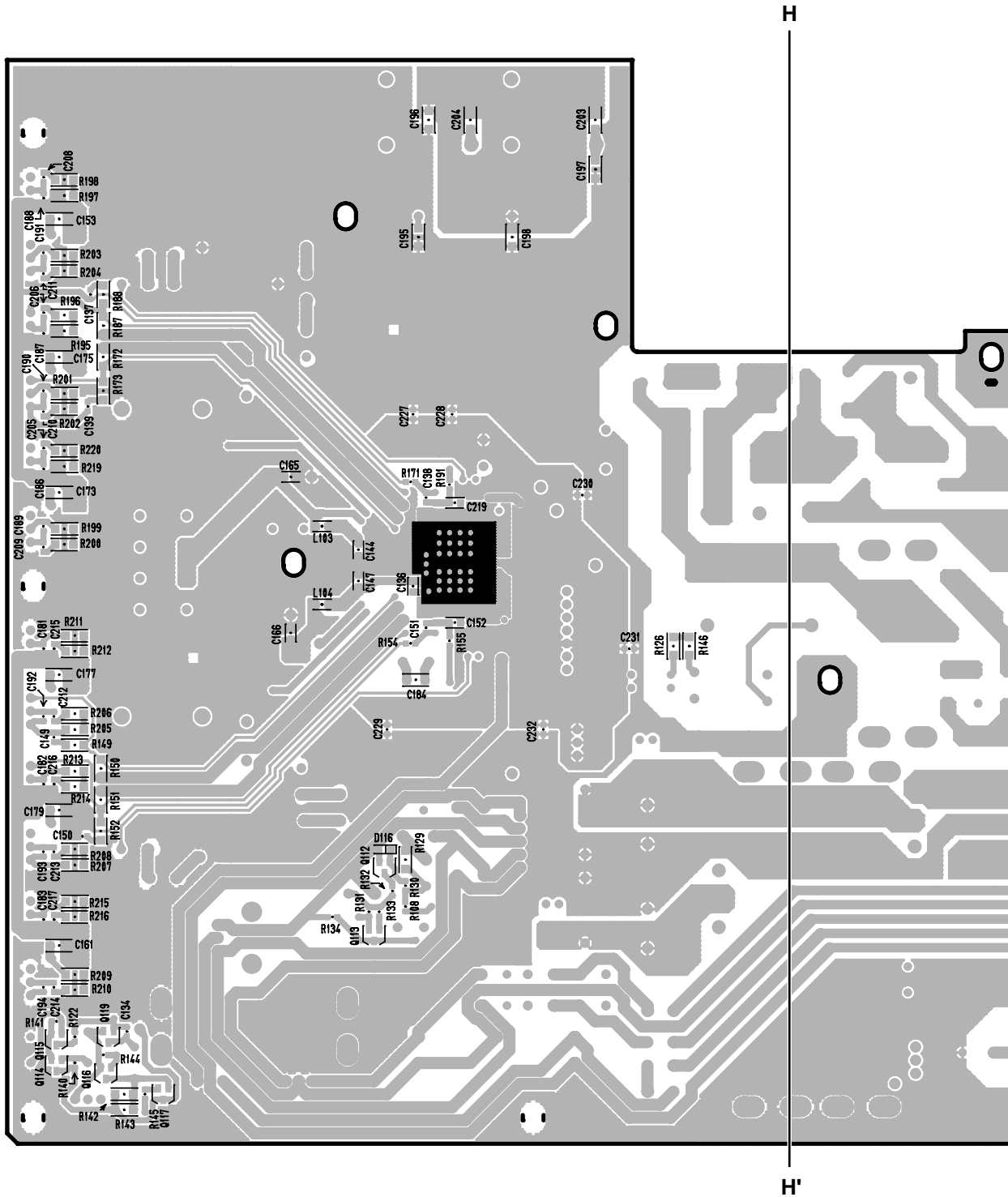
• PW Circuit Board (X4590E0)



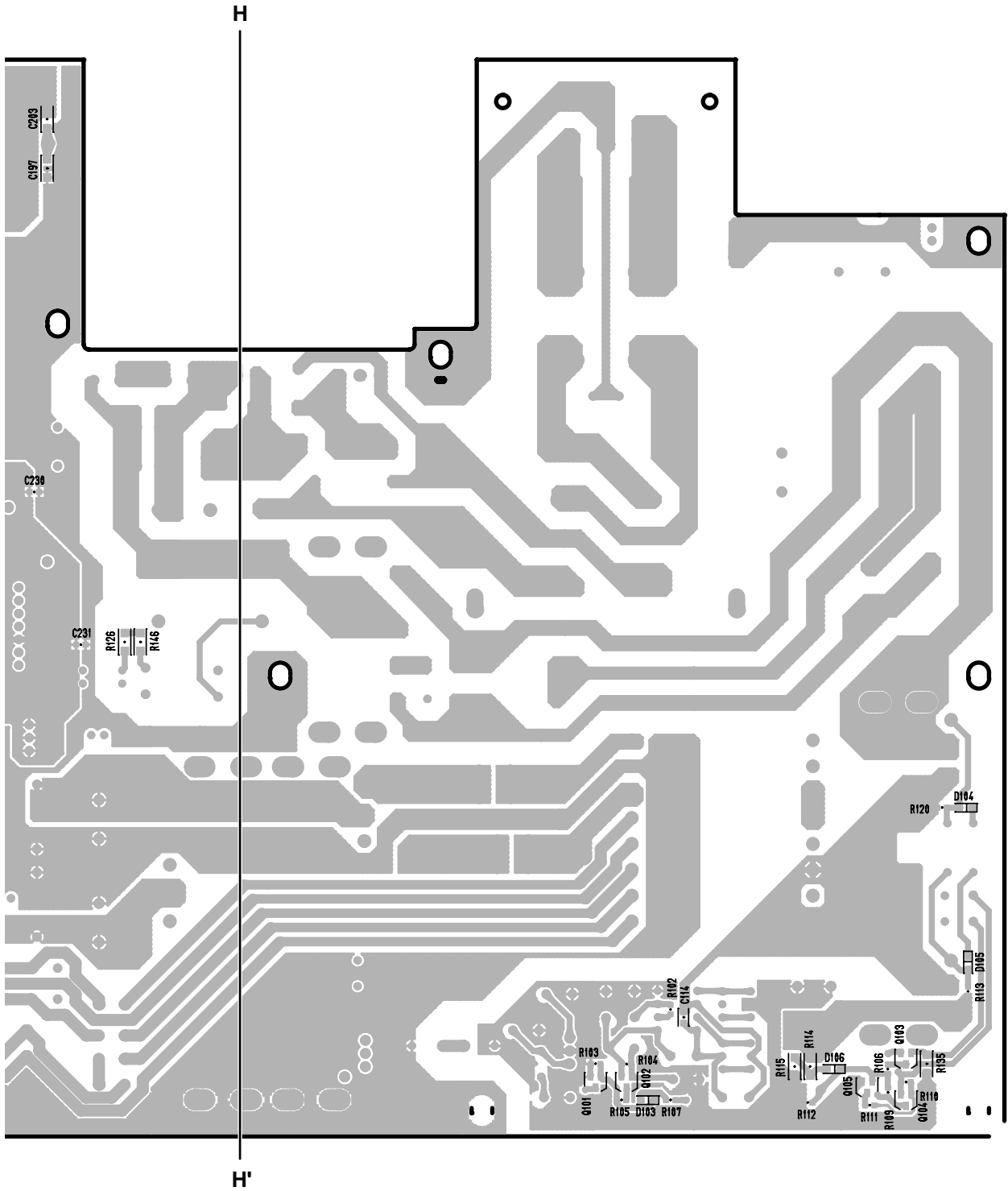
Component side
 (部品側)
 4NA-WC89690-3



Component side
(部品側)



Pattern side
(パターン側)



Pattern side
(パターン側)

■ TEST PROGRAM AND INSPECTIONS

1. Application

This specification provides a condition, a method, and a standard for checking BBT500H.

2. Measurement Condition and Note.

2 - 1. Keep in mind that input power supply AC voltage change with destination. It mistakes, parts may break.

2 - 2. AC VOLTAGE

J 100V+/-5V

U 120V+/-5V

H 230V+/-5V

2 - 3. Speaker outputs serve as operation by BTL (BRIDGE) connection. Separate the ground of measuring instruments (oscilloscope, voltmeter etc) from the ground of a power supply cord.

2 - 4. Connect a speaker load resistance after the functional check (LED, SW, VR) of preamplifier, and electrical check, and check speaker output.

Use load resistance is 2 Ω 500W.

2 - 5. Set up position of each VR and SW like following.

In case of no appointments, check in this state.

INPUT LEVEL	MAX
SOUND TYPE	FLAT
COMP	MIN
GAIN	MAX
MASTER	MAX
BASS	Center
LOW MID	Center
MIDDLE	Center
HIGH MID	Center
TREBLE	Center
OUTPUT	MIN
FX LOOP LEVEL	+4dB
PHONE LEVEL	MAX
LINE SOURCE	PRE EQ
SP SIM	LINE
OUTPUT LIMITER	ON

2 - 6. In case of no appointments, input signal is sine wave and its frequency is 1kHz.

Input impedance of measuring devices must be over 1M Ω.

3. A method of checking

3 - 1. A method of start to checking

POWER ON while push HOLD SAVE 5 and FUNCTION. Then start LED check automatically.

3 - 2. LED check

a. All LED of FRONT PANEL light two times.

b. LED light in turn like following.

Lighting change carried out one by one on the right from left side of a panel. After that, surrounding LED of a switch lights up to the circumference of the right.

c. All LED light three times and LED display indicates "2.".

3 - 3. SW check

a. Check the position of LINE SOURCE, SP SIM, OUTPUT LIMITER.

LINE SOURCE : PRE EQ

SP SIM : LINE

OUTPUT LIMITER : ON

b. Push FUNCTION while LED indicates "2.". Then LED indicates "2.0". Check the indication of LED "2.1" "2.2" "2.3" "2.4" "2.5" "2.6L" when push MANUAL, HOLD SAVE 1, in turn. HOLD SAVE 2, ~ HOLD SAVE 5 in turn.

- c. Change the position of LINE SOURCE switch THRU PRE EQ POST EQ and check the indication of LED "2.6c" "2.6r" "2.7L".
 Change the position of SP SIM switch OFF LINE ON and check the indication of LED LED "2.7c" "2.7r" "2.8L".
 Change the position of OUTPUT LIMITER switch OFF ON and check the indication of LED LED "2.8r" All LED "3."

3 - 4. VR check

- a. Check the position of SOUND TYPE,COMP,GAIN,MASTER,LOW MID,MID,HIGH MID,TREBLE, OUTPUT are center.
- b. Push FUNCTION while LED indicates "3.". Then LED indicates "3.0L" and MODERN lights. Turn left SOUND TYPE one click at a time and check change lighting LED MODERN VINTAGE.... When turn to left end SOUND TYPE then all LED lights one time. LED indicates "3.0r" and FLAT lights. Turn right SOUND TYPE one click at a time and check change lighting LED FLAT TUBE.... When turn to right end SOUND TYPE then all LED lights one time and LED indicates "3.1L". Return SOUND TYPE to center.
- c. LED indicates "3.1L". Turn left COMP. Then all LED light one time and LED indicates "3.1r". Turn right COMP. Then all LED light one time and LED indicates "3.2L". Return COMP to center. Repeat the same thing from GAIN to OUTPUT and check the indication of LED "3.2r" "3.3L"... "3.9r".
- d. Turn right OUTPUT. Then LED indicates "4."

3 - 5. MIDI check

- a. Check that both terminals of MIDI IN &MIDI OUT are connected with MIDI cable.
- b. Push FUNCTION while LED DISPLAY indicates "4.".Then All LED of PN sheet light one time and LED DISPLAY indicates "5."
- c. If LED indicates "Er0", it is the error.

3 - 6. ROM Check

- a. Push FUNCTION while LED DISPLAY indicates "5.".Then All LED of PN sheet light one time and LED DISPLAY indicates "6."
- b. If LED DISPLAY indicates "E0","E1","E2","E3",it is the error.The details of errors are
 E0 : Generate an error when delete the sector.
 E1 : Can't delete the sector.
 E2 : Generate error when write the sector.
 E3 : Written data is not true.

4. Electric characteristics check

- a. Push FUNCTION while LED indicates "6.".Then LED indicates "dSP".
- b. Input the signal and mesure following items.
- c. Check the wave forms of output signals are sine wave when check the value of output signals.

4 - 1.Light Check

Input point	Input frequency	Input level	State
INPUT (JK301)	1kHz	-40dBm	LD301(red) and LD302(green) don't light.
		-30dBm	LD301(red) lights but LD302(green) doesn't light.
		-10dBm	LD301(red) and LD302(green) light.

4 - 2. INPUT LEVEL VR Check

Input point	Measure point	Load	Input level	Input frequency	INPUT LEVEL (VR301)	Measured value
INPUT (JK301)	TUNER OUT (JK102)	10k	-20dBm	1kHz	Min.	-22 ± 5dBm
					Max.	+12 ± 5dBm

4 - 3. Each output level check 1

Input point	Measure point	Load	Input level	FX LOOP LEVEL (SW105)	Input frequency	Measured value
INPUT (JK301)	TUNER OUT (JK102)	10k	-20dBm	L (-20dBm ch.)	100Hz	+12 ± 3dBm
					1kHz	as above
					10kHz	as above
	SEND (JK104)	10k	-20dBm	L (-20dBm ch.)	100Hz	-19 ± 3dBm
					1kHz	as above
					10kHz	as above
				R (+4dBm ch.)	100Hz	+2 ± 3dBm
					1kHz	as above
					10kHz	as above

4 - 4. PHONES LEVEL VR101 check

Use 20kHz LPF of level meter.

Input point	Measure point	Load	Input level	FX LOOP LEVEL (SW105)	Input frequency	PHONE (VR101)	Measured value
RETURN (JK103)	LINE OUT (JK106)	10k	-20dBm	L (-20dBm ch.)	1kHz	Min.	under -50dBm
						Max.	+1 ± 3dBm

4 - 5. Each output level check2

Input point	Measure point	Load	Input level	FX LOOP LEVEL (SW105)	Input frequency	Measured value
RETURN (JK103)	LINE OUT (JK106)	10k	-20dBm	L (-20dBm ch.)	100Hz	+1 ± 3dBm
					1kHz	as above
					10kHz	as above
			0dBm	R (+4dBm ch.)	100Hz	0 ± 3dBm
					1kHz	as above
					10kHz	as above
	LINE OUT Canon 2Pin (JK107)	600	-20dBm	L (-20dBm ch.)	100Hz	+1 ± 3dBm
					1kHz	as above
					10kHz	as above
	LINE OUT Canon 3Pin (JK107)	600	-20dBm	L (-20dBm ch.)	100Hz	+1 ± 3dBm
					1kHz	as above
					10kHz	as above
	HEAD PHONE L ch. (JK105)	33	-30dBm	L (-20dBm ch.)	100Hz	+2 ± 3dBm
					1kHz	+3 ± 3dBm
					10kHz	as above
HEAD PHONE R ch. (JK105)	33	-30dBm	L (-20dBm ch.)	100Hz	+2 ± 3dBm	
				1kHz	+3 ± 3dBm	
				10kHz	as above	

5. Speaker output check

5 - 1. Connection

2 Ω 500W non-guide resistor is connected to speaker jack.

1KHz signal is put into an input jack.

Turn off a power supply switch.

5 - 2. Measurement

Volumes are initial setting.

Set sound type to FLAT.

Power supply is switched on.

Turn OUTPUT volume to the right and check that 28.0V or more of outputs comes out.

It does not decide about T.H.D.

$28.0V / 2 \Omega = 400W$

■ テストプログラムと検査

1. 適用

ベースアンプヘッド BBT500H の完成品の電氣的性能を検査する為の条件、方法、規格について規定します。

2. 測定条件及び注意事項

仕向け地にあった電源コードを使用します。

2-1. 完成品の AC 入力電源電圧は、仕向けにより異なるので注意してください。間違えると部品が壊れる恐れがあります。

2-2. 電源電圧

J 100V ± 5V

U 120V ± 5V

H 230V ± 5V

2-3. スピーカ出力は BTL(BRIDGE)動作による出力となっています。測定系（オシロスコープ、電圧計）の GND は電源コードの GND と切り離してください。切り離さない状態にて測定すると、内部の電気部品を破壊する場合があります。

2-4. プリアンプ部分の機能確認（LED、スイッチ、VR チェック）電気特性確認終了後にスピーカ負荷を接続して出力の確認を行ってください。抵抗負荷は 2500W を使用してください。

2-5. 各 VR、SW の位置を、以下の様に設定してください。

特に指定の無い場合は、この状態で検査を行ってください。

INPUT LEVEL	MAX
SOUND TYPE	FLAT
COMP	MIN
GAIN	MAX
MASTER	MAX
BASS	Center
LOW MID	Center
MIDDLE	Center
HIGH MID	Center
TREBLE	Center
OUTPUT	MIN
FX LOOP LEVEL	+4dB
PHONE LEVEL	MAX
LINE SOURCE	PRE EQ
SP SIM	LINE
OUTPUT LIMITER	ON

2-6. 特に規定の無い場合の入力信号は正弦波で、入力信号は 1kHz とします。

測定器の入力インピーダンスは、1MΩ 以上の物を使用してください。

3. 機能検査（LED 表示、スイッチ、VR 確認）

3-1. 検査モードの入り方

HOLD SAVE 5 と FUNCTION を押しながら電源を投入すると、自動的に LED チェックを始めます。

3-2. LED チェック

a. FRONT PANEL の全ての LED が 2 回点灯します。

b. 以下の順番で LED が点灯します。

パネル上面の左側より右側へ順次点灯変化します。

その後に SOUND TYPE スwitch の LED が右回りで点灯します。

c. パネル面の全ての LED が、3 回点灯し、LED 表示に "2." と点滅表示されます。

3-3. SW 動作チェック

a. LINE SOURCE, SP SIM, OUTPUT LIMITER のスitch の位置を確認します。

LINE SOURCE : PRE EQ

SP SIM : LINE

OUTPUT LIMITER : ON

- b. LED 表示が、"2." と点滅表示されている状態で、FUNCTION を押すと、LED 表示に "2.0" と表示されます。MANUAL,HOLD SAVE 1,HOLD SAVE 2, ~ HOLD SAVE 5 を順番に押していくと、"2.1" "2.2" "2.3" "2.4" "2.5" "2.6L" と表示が変化する事を確認します。
- c. LINE SOURCE スイッチの位置を THRU PRE EQ POST EQ と変化させると、"2.6c" "2.6r" "2.7L" と変化します。SP SIM スイッチの位置を OFF LINE ON と変化させると、"2.7c" "2.7r" "2.8L" と変化します。OUTPUT LIMITER スイッチの位置を OFF ON と変化させると、"2.8r" 全ての LED が点灯 "3." (点滅) と変化します。

3-4. VR チェック

- a. SOUND TYPE,COMP,GAIN,MASTER,LOW MID,MID,HIGH MID,TREBLE,OUTPUT の VR を、Center にします。
- b. LED 表示が、"3." と点滅表示される状態で、FUNCTION を押します。
LED 表示が、"3.0L" と表示され、MODERN が点灯します。SOUND TYPE を 1 クリックずつ左に回し、点灯する LED が MODERN VINTAGE... と変わるのを確認します。左まで回しきると、全ての LED が 1 回点灯します。
LED 表示が "3.0r" になり、FLAT が点灯している状態になります。SOUND TYPE を 1 クリックずつ右に回し、点灯する LED が FLAT TUBE... と変わるのを確認します。右まで回しきると、FRONT PANEL 全ての LED が 1 回点灯し、LED 表示が "3.1L" となります。SOUND TYPE を Center に戻します。
- c. LED 表示が、" 3.1L " と表示されます。そこで、COMP を左一杯に回します。すると、FRONT PANEL の全ての LED が 1 回点灯し、LED 表示に " 3.1r " と表示されます。そこで、COMP を右一杯に回します。すると、FRONT PANEL の全ての LED が 1 回点灯し、LED 表示に " 3.2L " と表示されます。そして、COMP を Center に戻します。同様の作業を GAIN-OUTPUT まで順番に繰り返し、" 3.2r " " 3.3L " ... " 3.9r " と LED 表示が順番に変わっていく事を確認します。
- d. OUTPUT を右一杯に回すと、LED 表示に "4." と表示されます。

3-5. MIDI チェック

- a. MIDI OUT と MIDI IN を、MIDI ケーブルで接続します。
- b. LED の表示が "4." と点滅表示されている状態で、FUNCTION を押すと、PN シートの全ての LED が 1 回点灯し、LED の表示が "5." と点滅表示された状態になります。
- c. LED 表示に "Er0" と表示された場合は、エラーです。

3-6. ROM チェック

- a. LED の表示が、"5." と点滅表示されている状態で、FUNCTION を押すと、PN シートの全ての LED が 1 回点灯し、LED の表示が "6." と点滅表示された状態になります。
- b. LED 表示に "E0","E1","E2","E3" と表示された場合は、エラーです。エラーの内容は、
E0 : セクタ消去時のエラー
E1 : セクタ消去が出来ていない
E2 : セクタ書き込み時のエラー
E3 : 書き込まれたデータが正しくない
となっています。

4. 電気特性確認

- a. LED 表示が "6." と点滅表示されている状態で、FUNCTION を押すと、LED に "dSP" と表示されます。
- b. 信号を入力し、以下の測定を行います。
- c. 信号のレベルを測定する時は信号の波形もチェックし、正弦波が出力されている事を確認してください。

4-1. INPUT LED 点灯チェック LD301(赤),LD302 (緑)

入力点	入力周波数	入力レベル	状態
INPUT (JK301)	1kHz	-40dBm	LD301(赤)、LD302(緑)共に点灯しません
		-30dBm	LD301(赤)は点灯しません。LD302(緑)は点灯します
		-10dBm	LD301(赤)、LD302(緑)共に点灯します

4-2. INPUT LEVEL VR チェック

入力点	測定点	負荷	入力レベル	入力周波数	INPUT LEVEL (VR301)	測定値
INPUT (JK301)	TUNER OUT (JK102)	10k	-20dBm	1kHz	Min.	-22 ± 5dBm
					Max.	+12 ± 5dBm

4-3. 各出力レベルチェック 1

入力点	測定点	負荷	入力レベル	FX LOOP LEVEL (SW105)	入力周波数	測定値
INPUT (JK301)	TUNER OUT (JK102)	10k	-20dBm	L (-20dBm ch.)	100Hz	+12 ± 3dBm
					1kHz	as above
					10kHz	as above
	SEND (JK104)	10k	-20dBm	L (-20dBm ch.)	100Hz	-19 ± 3dBm
					1kHz	as above
					10kHz	as above
				R (+4dBm ch.)	100Hz	+2 ± 3dBm
					1kHz	as above
					10kHz	as above

4-4. PHONES LEVEL VR101 チェック

信号レベル測定器の 20kHz LPF を使用してください。

入力点	測定点	負荷	入力レベル	FX LOOP LEVEL (SW105)	入力周波数	PHONE (VR101)	測定値
RETURN (JK103)	LINE OUT (JK106)	10k	-20dBm	L (-20dBm ch.)	1kHz	Min.	under -50dBm
						Max.	+1 ± 3dBm

4-5. 各出力レベルチェック 2

入力点	測定点	負荷	入力レベル	FX LOOP LEVEL (SW105)	入力周波数	測定値
RETURN (JK103)	LINE OUT (JK106)	10k	-20dBm	L (-20dBm ch.)	100Hz	+1 ± 3dBm
					1kHz	as above
					10kHz	as above
			0dBm	R (+4dBm ch.)	100Hz	0 ± 3dBm
					1kHz	as above
					10kHz	as above
	LINE OUT Canon 2Pin (JK107)	600	-20dBm	L (-20dBm ch.)	100Hz	+1 ± 3dBm
					1kHz	as above
					10kHz	as above
	LINE OUT Canon 3Pin (JK107)	600	-20dBm	L (-20dBm ch.)	100Hz	+1 ± 3dBm
					1kHz	as above
					10kHz	as above
	HEAD PHONE L ch. (JK105)	33	-30dBm	L (-20dBm ch.)	100Hz	+2 ± 3dBm
					1kHz	+3 ± 3dBm
					10kHz	as above
HEAD PHONE R ch. (JK105)	33	-30dBm	L (-20dBm ch.)	100Hz	+2 ± 3dBm	
				1kHz	+3 ± 3dBm	
				10kHz	as above	

5. スピーカ出力確認

5-1. 接続

スピーカ端子に2 5 0 0 W の無誘導抵抗を接続します。
INPUT に 1 K H z の信号を入力します。
一度電源を切ります。

5-2. 測定

ボリュームの設定は初期設定とします。
SOUND TYPE を FLAT に設定します。
電源を入れます。
OUTPUT VR を最小位置より右に回して出力レベルを設定し、その電圧が 28.0 V 以上出る事を確認します。
歪み率は規定しません。
 $28.0V / 2 = 400W$

■ ERROR MESSAGE

E1 : MIDI Receive Buffer Full

CAUSE: Too much MIDI data is being received by the BBT500H at one time.

SOLUTION: Try reducing the amount of data being sent or, break the data into smaller blocks.

E2 : Communication Error.

CAUSE: An abnormality is detected during MIDI communications.

SOLUTION: Check all connections, etc. and try again.

E3 : Bulk Receive Check Sum Error.

CAUSE: The check sum does not match the received MIDI bulk data.

SOLUTION: Check all connections and data, and try again.

E4 : MIDI Receive Data Abnormality.

CAUSE: An abnormality is detected in the received MIDI data.

SOLUTION: Check all connections and data, and try again.

■ エラーメッセージ

E1 : MIDI 受信バッファフル

【原因】 受信した MIDI データがバッファからあふれました。

【対処方法】 送信データを減らすか、バルク送信の間隔を開けて再送信してください。

E2 : 通信エラー

【原因】 MIDI 通信時に異常が起きました。

【対処方法】 接続などの異常がないか確認して、再度送信してください。

E3 : バルク受信チェックサムエラー

【原因】 バルクダンプ受信時にデータのチェックサムが合いません。

【対処方法】 接続や送信データを確認して再度送信してください。

E4 : MIDI 受信データ異常

【原因】 MIDI 受信時にデータに異常があります。

【対処方法】 接続や送信データを確認して再度送信してください。

MIDI IMPLIMENTATION CHART

YAMAHA [Bass Amplifier]
 Model BBT500H

MIDI Implementation Chart

Date:23-Dec-2003
 Version : 1.0

Function ...	Transmitted	Recognized	Remarks
Basic Default	: x	: 1 - 16, off	: memorized
Channel Changed	: x	: 1 - 16, off	:
Mode Default	: x	: 1,3	: memorized
Mode Messages	: x	: x	:
Mode Altered	: *****	: x	:
Note	: x	: x	:
Number : True voice	: *****	: x	:
Velocity Note ON	: x	: x	:
Velocity Note OFF	: x	: x	:
After Key's	: x	: x	:
Touch Ch's	: x	: x	:
Pitch Bender	: x	: x	:
Control Change	: x	: x	: Main Volume
	: x	: o	
	: x	: x	
Prog Change : True #	: *****	: o 0 - 127	: Program Change Number 1-128
System Exclusive	: o	: o	: Bulk Dump
System : Song Pos.	: x	: x	:
System : Song Sel.	: x	: x	:
System : Tune	: x	: x	:
System :Clock	: x	: x	:
Real Time :Commands	: x	: x	:
Aux :All Sound OFF	: x	: x	:
Aux :Reset All Cntrls	: x	: x	:
Aux :Local ON/OFF	: x	: x	:
Aux :All Notes OFF	: x	: x	:
Mes- :Active Sense	: o	: x	:
sages:Reset	: x	: x	:
Mode 1 : OMNI ON, POLY	Mode 2 : OMNI ON, MONO	o : Yes	
Mode 3 : OMNI OFF, POLY	Mode 4 : OMNI OFF, MONO	x : No	

BASS AMPLIFIER

BBT500H

PARTS LIST

■ CONTENTS(目次)

OVERALL ASSEMBLY(総組立).....	2
ELECTRICAL PARTS (電気部品)	4-13

Notes : DESTINATION ABBREVIATIONS

A : Australian model	M : South African model
B : British model	O : Chinese model
C : Canadian model	Q : South-east Asia model
D : German model	T : Taiwan model
E : European model	U : U.S.A. model
F : French model	V : General export model (110V)
H : North European model	W : General export model (220V)
I : Indonesian model	N,X: General export model
J : Japanese model	Y : Export model
K : Korean model	

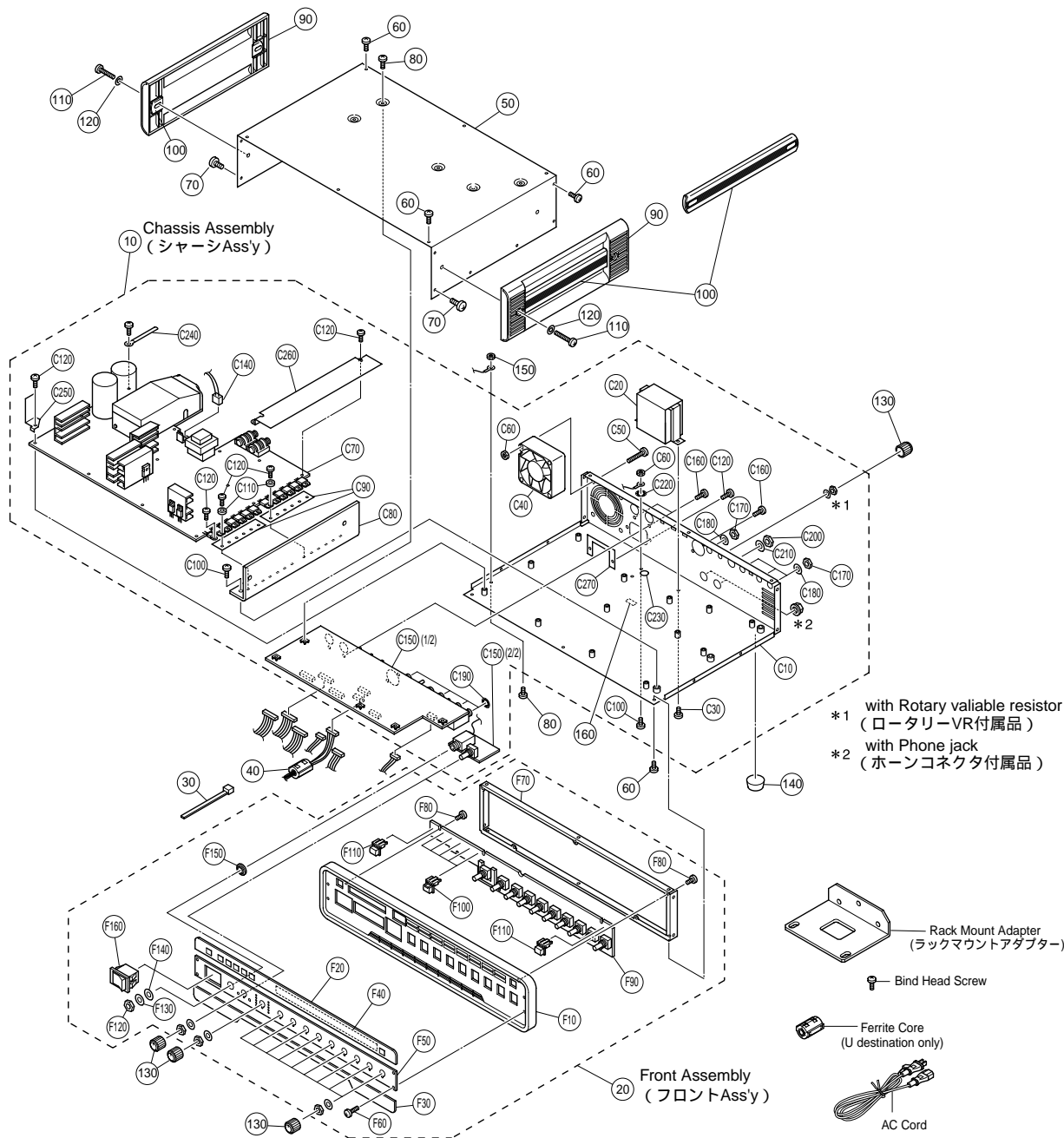
■ WARNING

Components having special characteristics are marked \triangle and must be replaced with parts having specification equal to those originally installed.

\triangle 印の部品は、安全を維持するために重要な部品です。交換する場合は、安全のために必ず指定の部品をご使用ください。

- The numbers "QTY" show quantities for each unit.
- The parts with "--" in "PART NO." are not available as spare parts.
- This mark "}" in the REMARKS column means these parts are interchangeable.
- The second letter of the shaded (■) part number is O, not zero.
- The second letter of the shaded (■) part number is I, not one.
- 部品価格ランクは、変更になることがあります。
- QTY欄に記されている数字は、各ユニット当たりの使用個数です。
- PART NO.が"--"の部品は、サービス用部品として準備されておりません。
- REMARKS欄の「}」マークの部品は、併用部品です。
- 網掛けの付いたPART NO. の2番目の文字は「ゼロ」ではなく、「オー」です。
- 網掛けの付いたPART NO. の2番目の文字は「イチ」ではなく、「アイ」です。

OVERALL ASSEMBLY(総組立)



REF NO.	PART NO.	DESCRIPTION	部 品 名	REMARKS	QTY	RANK
		OVERALL ASSEMBLY	総 組 立	BBT500H		
	--	Overall Assembly	総 組 立 (J)	BBT500H J	(WC94970)	
	--	Overall Assembly	総 組 立 (U C)	BBT500H U	(WD01870)	
	--	Overall Assembly	総 組 立 (E)	BBT500H H,B	(WD01880)	
10	--	Chassis Assembly	シ ャ ー シ A s s ' y	J	(WC95030)	
10	--	Chassis Assembly	シ ャ ー シ A s s ' y	U	(WD01900)	
10	--	Chassis Assembly	シ ャ ー シ A s s ' y	H,B	(WD01910)	
20	--	Front Assembly	フ ロ ン ト A s s ' y		(WC95040)	
30	VV104600	Cord Holder	CV-100		3	01
40	WD511600	Ferrite Core	KINF-80BK2			
50	WC936200	Top Cover	ト ッ プ カ バ ー			
60	EP600230	Bind Head Tapping Screw-B	+ バ イ ン ド B タ イ ト		17	01
70	EG340340	Bind Head Screw	+ バ イ ン ド 小 ネ ジ		4	01
80	VA295800	Bind Head Screw	+ バ イ ン ド 小 ネ ジ		6	01
90	WC936300	Side Pad	サ イ ド パ ッ ド		2	

*: New Parts

RANK: Japan only

REF NO.	PART NO.	DESCRIPTION	部 品 名	REMARKS	QTY	RANK
100	V6327200	Handle	KPBO KAH1D-205	ハン ド ル	2	03
110	EG340110	Bind Head Screw	4.0X16 MFZN2BL	+ バ イ ン ド 小 ネ ジ	4	01
120	ET500040	Flat Washer	4.0X10X0.8 MFZN2BL	平 座 金 み が き 丸	4	01
130	WC936600	Knob		ノ ブ	12	
140	WC936800	Foot	PINGOOD R1907	レ ッ グ	4	
150	ES200020	Hexagonal Nut	#2 3.0 MFZN2Y	六 角 ナ ッ ト		01
160	--	Label	DATE CODE	デ ー ト コ ー ド ラ ベ ル	U	(WD58860)
	--	CHASSIS ASSEMBLY		シャ ー シ A s s ' y		
	--	Chassis Assembly		シャ ー シ A s s ' y	J	(WC95030)
	--	Chassis Assembly		シャ ー シ A s s ' y	U	(WD01900)
	--	Chassis Assembly		シャ ー シ A s s ' y	H,B	(WD01910)
C10	--	Chassis		シャ ー シ	J	(WC93600)
C10	--	Chassis		シャ ー シ	U	(WE12560)
C10	--	Chassis		シャ ー シ	E	(WE12570)
					H,B	
C20	WD511000	Coil	EI 8.0MH	コ イ ル	J	
C20	V8291500	Coil	EI 4.4MH	コ イ ル	H,B	
C30	EP600190	Bind Head Tapping Screw-B	3.0X8 MFZN2BL	+ バ イ ン ド B タ イ ト	J,H,B	
C40	WC370300	Fan	2410RL-05W-B50	D C フ ァ ン		07
C50	VT229100	Bind Head Screw	4.0X30 MFZN2BL	+ バ イ ン ド 小 ネ ジ		01
C60	VB837300	Hexagonal Nut	#1 4.0 MFZN2Y	六 角 ナ ッ ト		01
C70	WC896900	Circuit Board	PW	P W シ ー ト	J	
C70	WC897000	Circuit Board	PW	P W シ ー ト	U	
C70	WC897200	Circuit Board	PW	P W シ ー ト	E	
C80	--	Heat Sink		ヒ ー ト シ ン ク		(WC93610)
C90	WC371300	Radiation Sheet	78X17	放 熱 シ ー ト 7 8 x 1 7		2
C100	EG340360	Bind Head Screw	4.0X8 MFZN2BL	+ バ イ ン ド 小 ネ ジ		01
C110	WC365200	Insulated Sleeve	602S	絶 縁 ス リ ー ブ		12
C120	VA295800	Bind Head Screw	3.0X8 MFZN2BL	+ バ イ ン ド 小 ネ ジ		01
C140	--	Electricity Wire Kit	#18 2P L 250	電 源 線 材 キ ッ ト		(WD04750)
C150	WC980000	Circuit Board	DM	D M シ ー ト	(1/2,2/2)	
C160	VA819100	Bind Head Tapping Screw-P	3.0X6 MFZN2BL	+ バ イ ン ド P タ イ ト		01
C170	LX200060	Hexagonal Nut	9.0 MFNI33	特 殊 六 角 ナ ッ ト		01
C180	VL802300	Flat Washer	9X14 0.5 FNM3	特 殊 平 座 金		01
C190	ET800150	Toothed Lock Washer-A	9.0 MFZN2Y	歯 付 き 座 金 内 歯 形		01
C200	ES200210	Hexagonal Nut	12.0 MFNI33	特 種 六 角 ナ ッ ト		01
C210	VB508700	Flat Washer	18X12.5 0.6 MFZN2B	特 種 平 座 金		01
C220	ET800070	Toothed Lock Washer-A	4.0 MFZN2BL	歯 付 き 座 金 内 歯 形		01
C230	--	Earth Mark	EXPORT	ア ー ス マ ー ク		(V777110)
C240	--	Cord Binder	WC-BA-DT	束 線 止 め		(WD17430)
C250	--	Angle Bracket		ア ン ゲ ル		(WD18540)
C260	--	FET Cover		F E T カ バ ー		(WD58360)
C270	--	ACIN Angle		A C I N ア ン ゲ ル		(WD97270)
	--	FRONT ASSEMBLY		フ ロ ン ト A s s ' y		(WC95040)
F10	WC935500	Front Panel		フ ロ ン ト パ ネ ル		
F20	WC935600	Meter Cover		メ ー タ ー カ バ ー		
F30	WC935700	Meter Cover Bottom		メ ー タ ー カ バ ー ボ ト ム		
F40	WC979700	Trace Sheet		ト レ ー ス シ ー ト		
F50	WC935900	Center Panel		セ ン タ ー パ ネ ル		
F60	VF646900	Bind Head Tapping Screw-B	3.0X8 MFNI33	+ バ イ ン ド B タ イ ト		01
F70	--	Front Sub Chassis		フ ロ ン ト サ ブ シャ ー シ		(WC93580)
F80	VA819100	Bind Head Tapping Screw-P	3.0X6 MFZN2BL	+ バ イ ン ド P タ イ ト		01
F90	WC980100	Circuit Board		P N シ ー ト		
F100	WC936400	Push Button		プ ッ シ ュ ボ タ ン		5
F110	WC936500	Push Button Black		プ ッ シ ュ ボ タ ン (黒)		2
F120	LX200060	Hexagonal Nut	9.0 MFNI33	特 殊 六 角 ナ ッ ト		01
F130	VL802300	Flat Washer	9X14 0.5 FNM3	特 殊 平 座 金		01
F140	V3630000	Insulation Nut	GA/BA	絶 縁 ナ ッ ト		
F150	V3630100	Spacer	GA/BA	ス ペ ー サ ー		
F160	V2217000	Switch	JW-L11RKK	シ ー ソ ー S W	POWER	07
		ACCESSORIES		付 属 品		
	V7240300	AC Cord	1 VCTF 0.75X3	電 源 コ ー ド	J	05
	V6284300	AC Cord	UC SJT#18X3	電 源 コ ー ド	U	05
	V6284400	AC Cord	E H05VV-FX3 0.75	電 源 コ ー ド	H	06
	V6283900	AC Cord	BS H05VV-F3X0.75	電 源 コ ー ド	B	08
	EG340360	Bind Head Screw	4.0X8 MFZN2BL	+ バ イ ン ド 小 ネ ジ		01
	WC937000	Rack Adapter		ラ ッ ク ア ダ プ タ ー		2
*	WD511600	Ferrite Core	KINF-80BK2	フ ェ ラ イ ト コ ア	U	3

*: New Parts

RANK: Japan only

ELECTRICAL PARTS(電気部品)

REF NO.	PART NO.	DESCRIPTION		部 品 名	REMARKS	QTY	RANK
		ELECTRICAL PARTS		電 気 部 品	BBT500H		
*	WC980000	Circuit Board	DM	D M シ ー ト	(1/2,2/2)		(X5383C0)
*	WC980100	Circuit Board	PN	P N シ ー ト			(X5384A0)
*	WC896900	Circuit Board	PW	P W シ ー ト J	J		(X4590D0)
*	WC897000	Circuit Board	PW	P W シ ー ト U	U		(X4590D0)
*	WC897200	Circuit Board	PW	P W シ ー ト E	H,B		(X4590D0)
*	WC980000	Circuit Board	DM	D M シ ー ト	(1/2,2/2)		(X5383C0)
C0101	US145100	Ceramic Capacitor-F (chip)	0.1000 25V Z	チ ッ プ セ ラ (F)			01
-0103	US145100	Ceramic Capacitor-F (chip)	0.1000 25V Z	チ ッ プ セ ラ (F)			01
C0104	UR838100	Electrolytic Cap.	100.00 16.0V	ケ ミ コ ン			01
C0105	US145100	Ceramic Capacitor-F (chip)	0.1000 25V Z	チ ッ プ セ ラ (F)			01
-0117	US145100	Ceramic Capacitor-F (chip)	0.1000 25V Z	チ ッ プ セ ラ (F)			01
C0118	UR838100	Electrolytic Cap.	100.00 16.0V	ケ ミ コ ン			01
C0119	US145100	Ceramic Capacitor-F (chip)	0.1000 25V Z	チ ッ プ セ ラ (F)			01
-0122	US145100	Ceramic Capacitor-F (chip)	0.1000 25V Z	チ ッ プ セ ラ (F)			01
C0123	UR857100	Electrolytic Cap.	10.00 35.0V	ケ ミ コ ン			01
C0124	US145100	Ceramic Capacitor-F (chip)	0.1000 25V Z	チ ッ プ セ ラ (F)			01
-0129	US145100	Ceramic Capacitor-F (chip)	0.1000 25V Z	チ ッ プ セ ラ (F)			01
C0130	UR857100	Electrolytic Cap.	10.00 35.0V	ケ ミ コ ン			01
C0131	US145100	Ceramic Capacitor-F (chip)	0.1000 25V Z	チ ッ プ セ ラ (F)			01
-0136	US145100	Ceramic Capacitor-F (chip)	0.1000 25V Z	チ ッ プ セ ラ (F)			01
C0137	UR857100	Electrolytic Cap.	10.00 35.0V	ケ ミ コ ン			01
C0138	US060500	Ceramic Capacitor-CH(chip)	5P 50V C	チ ッ プ セ ラ (C H)			01
C0139	US060500	Ceramic Capacitor-CH(chip)	5P 50V C	チ ッ プ セ ラ (C H)			01
C0140	US145100	Ceramic Capacitor-F (chip)	0.1000 25V Z	チ ッ プ セ ラ (F)			01
-0143	US145100	Ceramic Capacitor-F (chip)	0.1000 25V Z	チ ッ プ セ ラ (F)			01
C0144	US064100	Ceramic Capacitor-B (chip)	0.0100 50V K	チ ッ プ セ ラ (B)			01
C0145	US064100	Ceramic Capacitor-B (chip)	0.0100 50V K	チ ッ プ セ ラ (B)			01
C0146	US145100	Ceramic Capacitor-F (chip)	0.1000 25V Z	チ ッ プ セ ラ (F)			01
C0147	US145100	Ceramic Capacitor-F (chip)	0.1000 25V Z	チ ッ プ セ ラ (F)			01
C0148	UR857100	Electrolytic Cap.	10.00 35.0V	ケ ミ コ ン			01
-0156	UR857100	Electrolytic Cap.	10.00 35.0V	ケ ミ コ ン			01
C0157	US145100	Ceramic Capacitor-F (chip)	0.1000 25V Z	チ ッ プ セ ラ (F)			01
C0158	UR848100	Electrolytic Cap.	100.00 25.0V	ケ ミ コ ン			01
C0159	UR857100	Electrolytic Cap.	10.00 35.0V	ケ ミ コ ン			01
C0160	UR848100	Electrolytic Cap.	100.00 25.0V	ケ ミ コ ン			01
C0161	UR857100	Electrolytic Cap.	10.00 35.0V	ケ ミ コ ン			01
C0162	UN857100	Electrolytic Cap.-BP	10.00 35.0V	B P ケ ミ コ ン			01
C0163	UR857100	Electrolytic Cap.	10.00 35.0V	ケ ミ コ ン			01
C0164	US145100	Ceramic Capacitor-F (chip)	0.1000 25V Z	チ ッ プ セ ラ (F)			01
C0165	US062100	Ceramic Capacitor-SL(chip)	100P 50V J	チ ッ プ セ ラ (S L)			01
C0166	US060500	Ceramic Capacitor-CH(chip)	5P 50V C	チ ッ プ セ ラ (C H)			01
C0167	UR857100	Electrolytic Cap.	10.00 35.0V	ケ ミ コ ン			01
C0168	US145100	Ceramic Capacitor-F (chip)	0.1000 25V Z	チ ッ プ セ ラ (F)			01
C0169	US145100	Ceramic Capacitor-F (chip)	0.1000 25V Z	チ ッ プ セ ラ (F)			01
C0170	US060500	Ceramic Capacitor-CH(chip)	5P 50V C	チ ッ プ セ ラ (C H)			01
C0171	US062100	Ceramic Capacitor-SL(chip)	100P 50V J	チ ッ プ セ ラ (S L)			01
C0172	US145100	Ceramic Capacitor-F (chip)	0.1000 25V Z	チ ッ プ セ ラ (F)			01
C0173	US063150	Ceramic Capacitor-B (chip)	1500P 50V K	チ ッ プ セ ラ (B)			01
C0174	UR857100	Electrolytic Cap.	10.00 35.0V	ケ ミ コ ン			01
C0175	US145100	Ceramic Capacitor-F (chip)	0.1000 25V Z	チ ッ プ セ ラ (F)			01
C0176	US145100	Ceramic Capacitor-F (chip)	0.1000 25V Z	チ ッ プ セ ラ (F)			01
C0177	UR857100	Electrolytic Cap.	10.00 35.0V	ケ ミ コ ン			01
C0178	US145100	Ceramic Capacitor-F (chip)	0.1000 25V Z	チ ッ プ セ ラ (F)			01
C0179	US135220	Ceramic Capacitor-F (chip)	0.2200 16V Z	チ ッ プ セ ラ (F)			01
C0180	UR857100	Electrolytic Cap.	10.00 35.0V	ケ ミ コ ン			01
C0181	US145100	Ceramic Capacitor-F (chip)	0.1000 25V Z	チ ッ プ セ ラ (F)			01
C0182	UR857100	Electrolytic Cap.	10.00 35.0V	ケ ミ コ ン			01
C0183	US145100	Ceramic Capacitor-F (chip)	0.1000 25V Z	チ ッ プ セ ラ (F)			01
C0184	UR857100	Electrolytic Cap.	10.00 35.0V	ケ ミ コ ン			01
C0185	US145100	Ceramic Capacitor-F (chip)	0.1000 25V Z	チ ッ プ セ ラ (F)			01
C0186	US135220	Ceramic Capacitor-F (chip)	0.2200 16V Z	チ ッ プ セ ラ (F)			01
C0187	UR857100	Electrolytic Cap.	10.00 35.0V	ケ ミ コ ン			01
-0190	UR857100	Electrolytic Cap.	10.00 35.0V	ケ ミ コ ン			01
C0191	US145100	Ceramic Capacitor-F (chip)	0.1000 25V Z	チ ッ プ セ ラ (F)			01
-0194	US145100	Ceramic Capacitor-F (chip)	0.1000 25V Z	チ ッ プ セ ラ (F)			01
C0195	US063150	Ceramic Capacitor-B (chip)	1500P 50V K	チ ッ プ セ ラ (B)			01
C0196	US063100	Ceramic Capacitor-B (chip)	1000P 50V K	チ ッ プ セ ラ (B)			01
C0197	US063100	Ceramic Capacitor-B (chip)	1000P 50V K	チ ッ プ セ ラ (B)			01

*: New Parts

RANK: Japan only

REF NO.	PART NO.	DESCRIPTION	部 品 名	REMARKS	QTY	RANK
C0198	US062330	Ceramic Capacitor-SL(chip)	330P 50V J	チップセラ (S L)		01
C0199	US062330	Ceramic Capacitor-SL(chip)	330P 50V J	チップセラ (S L)		01
C0200	US062100	Ceramic Capacitor-SL(chip)	100P 50V J	チップセラ (S L)		01
C0201	US062330	Ceramic Capacitor-SL(chip)	330P 50V J	チップセラ (S L)		01
C0202	US062330	Ceramic Capacitor-SL(chip)	330P 50V J	チップセラ (S L)		01
C0203	UR857100	Electrolytic Cap.	10.00 35.0V	ケ ミ コ ン		01
C0204	UR847100	Electrolytic Cap.	10.00 25.0V	ケ ミ コ ン		01
C0205	US062100	Ceramic Capacitor-SL(chip)	100P 50V J	チップセラ (S L)		01
C0206	UR847100	Electrolytic Cap.	10.00 25.0V	ケ ミ コ ン		01
C0207	UR847100	Electrolytic Cap.	10.00 25.0V	ケ ミ コ ン		01
C0208	UN857100	Electrolytic Cap.-BP	10.00 35.0V	B P ケ ミ コ ン		01
C0209	US145100	Ceramic Capacitor-F (chip)	0.1000 25V Z	チップセラ (F)		01
C0210	UR847470	Electrolytic Cap.	47.00 25.0V	ケ ミ コ ン		01
C0211	UN857100	Electrolytic Cap.-BP	10.00 35.0V	B P ケ ミ コ ン		01
C0212	US062100	Ceramic Capacitor-SL(chip)	100P 50V J	チップセラ (S L)		01
C0213	US062100	Ceramic Capacitor-SL(chip)	100P 50V J	チップセラ (S L)		01
C0214	US061220	Ceramic Capacitor-CH(chip)	22P 50V J	チップセラ (C H)		01
C0215	UR857100	Electrolytic Cap.	10.00 35.0V	ケ ミ コ ン		01
C0216	UR847470	Electrolytic Cap.	47.00 25.0V	ケ ミ コ ン		01
C0217	UR847470	Electrolytic Cap.	47.00 25.0V	ケ ミ コ ン		01
C0218	UR857100	Electrolytic Cap.	10.00 35.0V	ケ ミ コ ン		01
C0219	US062100	Ceramic Capacitor-SL(chip)	100P 50V J	チップセラ (S L)		01
C0220	US062100	Ceramic Capacitor-SL(chip)	100P 50V J	チップセラ (S L)		01
C0221	US061220	Ceramic Capacitor-CH(chip)	22P 50V J	チップセラ (C H)		01
C0222	UR857100	Electrolytic Cap.	10.00 35.0V	ケ ミ コ ン		01
C0223	UR847100	Electrolytic Cap.	10.00 25.0V	ケ ミ コ ン		01
C0224	US061220	Ceramic Capacitor-CH(chip)	22P 50V J	チップセラ (C H)		01
C0225	UR847470	Electrolytic Cap.	47.00 25.0V	ケ ミ コ ン		01
C0226	UR847470	Electrolytic Cap.	47.00 25.0V	ケ ミ コ ン		01
C0227	UN857100	Electrolytic Cap.-BP	10.00 35.0V	B P ケ ミ コ ン		01
C0228	US062100	Ceramic Capacitor-SL(chip)	100P 50V J	チップセラ (S L)		01
C0229	US062100	Ceramic Capacitor-SL(chip)	100P 50V J	チップセラ (S L)		01
C0230	US061100	Ceramic Capacitor-CH(chip)	10P 50V D	チップセラ (C H)		01
* C0231	UN867330	Electrolytic Cap.-BP	33.00 50.0V	B P ケ ミ コ ン		01
C0232	UR847100	Electrolytic Cap.	10.00 25.0V	ケ ミ コ ン		01
* C0233	UN867330	Electrolytic Cap.-BP	33.00 50.0V	B P ケ ミ コ ン		01
C0234	UR847100	Electrolytic Cap.	10.00 25.0V	ケ ミ コ ン		01
C0235	US062100	Ceramic Capacitor-SL(chip)	100P 50V J	チップセラ (S L)		01
C0238	UR857100	Electrolytic Cap.	10.00 35.0V	ケ ミ コ ン		01
C0239	UR857100	Electrolytic Cap.	10.00 35.0V	ケ ミ コ ン		01
C0301	UY065220	Ceramic Capacitor (chip)	0.2200 50V Z	チ ッ プ セ ラ		01
C0302	US145100	Ceramic Capacitor-F (chip)	0.1000 25V Z	チップセラ (F)		01
-0304	US145100	Ceramic Capacitor-F (chip)	0.1000 25V Z	チップセラ (F)		01
C0305	US062100	Ceramic Capacitor-SL(chip)	100P 50V J	チップセラ (S L)		01
C0306	UR857100	Electrolytic Cap.	10.00 35.0V	ケ ミ コ ン		01
C0307	UR857100	Electrolytic Cap.	10.00 35.0V	ケ ミ コ ン		01
C0308	UR847470	Electrolytic Cap.	47.00 25.0V	ケ ミ コ ン		01
C0309	US064100	Ceramic Capacitor-B (chip)	0.0100 50V K	チップセラ (B)		01
C0310	UR847100	Electrolytic Cap.	10.00 25.0V	ケ ミ コ ン		01
C0311	US145100	Ceramic Capacitor-F (chip)	0.1000 25V Z	チップセラ (F)		01
C0501	US145100	Ceramic Capacitor-F (chip)	0.1000 25V Z	チップセラ (F)		01
-0563	US145100	Ceramic Capacitor-F (chip)	0.1000 25V Z	チップセラ (F)		01
CN101	--	Wire Kit 2.5mm	B&C #24 3P L 80	線材キット 2.5mm	(WC92840)	
CN102	--	Wire Kit 2.5mm	B&C #24 7P L 80	線材キット 2.5mm	(WC37550)	
CN103	--	Wire Kit 2mm	B&C #26 12P L 180	線材キット 2mm	(WC37580)	
CN104	--	Wire Kit 2mm	B&C #26 11P L 180	線材キット 2mm	(WC37570)	
CN105	--	Wire Kit 2mm	B&C #26 10P L 140	線材キット 2mm	(WC37560)	
CN106	--	Wire Kit 2mm	B&C #26 4P L 370	線材キット 2mm	(WC37590)	
CN107	--	Wire Kit 2.5mm	B&C #24 6P L 120	線材キット 2.5mm	(WC37540)	
CN301	--	Wire Kit for GND	#18 1P L 70	線材キットアース用	(WD05830)	
CN302	VV066400	Connector Base Post	M2426XX 4P TE	コネクタベースポスト		01
D0101	VT332900	Diode	1SS355 TE-17	ダイオード		01
-0106	VT332900	Diode	1SS355 TE-17	ダイオード		01
D0301	VT332900	Diode	1SS355 TE-17	ダイオード		01
-0305	VT332900	Diode	1SS355 TE-17	ダイオード		01
* IC101	X5723A00	IC	MX29LV400BTC-70	I	C FLASH ROM 4M	
IC102	X4386A00	IC	BS62LV256TC-70	I	C	
IC102	X4388A00	IC	IS62LV256-70T	I	C } SRAM 256K	08
IC102	X4390A00	IC	CY62256VLL-70ZCT	I	C	
IC103	X0009A00	IC	S-80128BPMC-JGN	I	C SYSTEM RESET	01

*: New Parts

RANK: Japan only

REF NO.	PART NO.	DESCRIPTION	部 品 名	REMARKS	QTY	RANK
IC104	XV988B00	IC	YSS910-V	I C		09
IC105	X2725A00	IC	MSM51V4265E-60TS-K	I C		05
IC105	X2726A00	IC	GLT440L16-40TC	I C	DRAM 4M	05
IC106	X4196A00	IC	HD6413008VF25	I C	CPU	08
IC107	X3693A00	IC	SN74LV245APWR	I C	TRANSCEIVER	
IC108	X2719A00	IC	SN74LV4053APWR	I C	MULTIPLEXER/DEMUTIPLEXER	02
IC109	X3693A00	IC	SN74LV245APWR	I C	TRANSCEIVER	
IC110	X3693A00	IC	SN74LV245APWR	I C	TRANSCEIVER	
IC111	V9561600	Photo Coupler	HCPCL-060L#500	I C	PHOTO COUPLER	06
IC112	X4980A00	IC	NJM5532M-TE1	I C	OP AMP	03
-115	X4980A00	IC	NJM5532M-TE1	I C	OP AMP	03
IC116	X3936A00	IC	SN74LVU04APWR	I C	INVERTER	
IC117	X5049A00	IC	NJM4556AM-TE1	I C	OP AMP	02
IC118	X5049A00	IC	NJM4556AM-TE1	I C	OP AMP	02
IC119	X3935A00	IC	SN74LV4040APWR	I C	NAND	
IC120	XS534A00	IC	NJM78M05DL1A(TE1)	I C	REGULATOR +5V	02
IC121	XU965A00	IC	UPC29M33T-E1	I C	REGULATOR +3.3V	03
IC122	X0578A00	IC	AK5383VF	I C	A/D	09
IC123	XW029A00	IC	AK4393VF-E2	I C	D/A	07
IC301	X4543A00	IC	NJM072BM-E(TE1)	I C	OP AMP	03
JK101	V6177500	DIN Connector	5P3 HDC-052A	D I N コ ネ ク タ 2 連	MIDI IN/OUT	03
JK102	V3633400	Phone Jack	HTJ-064-12I	ホ ー ン ジ ャ ッ ク	TUNER OUT	01
JK103	V3633400	Phone Jack	HTJ-064-12I	ホ ー ン ジ ャ ッ ク	FX LOOP RETURN	01
JK104	V3633400	Phone Jack	HTJ-064-12I	ホ ー ン ジ ャ ッ ク	FX LOOP SEND	01
JK105	V6176500	Phone Jack	HTJ-064-05B	ホ ー ン ジ ャ ッ ク	PHONES	03
JK106	V3633400	Phone Jack	HTJ-064-12I	ホ ー ン ジ ャ ッ ク	LINE OUT UNBALANCED OUT	01
JK107	VS133700	Cannon Connector	NC3MAH	キ ャ ノ ン コ ネ ク タ	LINE OUT BALANCED OUT	04
JK301	V3633400	Phone Jack	HTJ-064-12I	ホ ー ン ジ ャ ッ ク	INPUT	01
K0101	--	Screw Terminal	PCB-1 M3	ネ ジ 端 子 M 3	(WC99590)	
-0105	--	Screw Terminal	PCB-1 M3	ネ ジ 端 子 M 3	(WC99590)	
L0101	VS740100	Chip Inductance	BLM21B751S 2125	チ ッ プ イ ン ダ ク タ		03
-0142	VS740100	Chip Inductance	BLM21B751S 2125	チ ッ プ イ ン ダ ク タ		03
L0301	VF968800	Coil	SBT-0260TF 60uH	コ イ ル S B 6 0 u H		01
LD301	WB990700	LED	LT0311-41-XA300089	L E D	INPUT LEVEL(RED)	
* LD302	WC928500	LED	LT8G21-43	L E D	INPUT LEVEL(GREEN)	
R0101	RD357100	Carbon Resistor (chip)	10.0K 63M J	チ ッ プ 抵 抗		01
-0103	RD357100	Carbon Resistor (chip)	10.0K 63M J	チ ッ プ 抵 抗		01
R0104	RD355270	Carbon Resistor (chip)	270.0 63M J	チ ッ プ 抵 抗		01
R0105	RD357100	Carbon Resistor (chip)	10.0K 63M J	チ ッ プ 抵 抗		01
-0108	RD357100	Carbon Resistor (chip)	10.0K 63M J	チ ッ プ 抵 抗		01
R0109	RD356100	Carbon Resistor (chip)	1.0K 63M J	チ ッ プ 抵 抗		01
R0110	RD357100	Carbon Resistor (chip)	10.0K 63M J	チ ッ プ 抵 抗		01
-0112	RD357100	Carbon Resistor (chip)	10.0K 63M J	チ ッ プ 抵 抗		01
R0113	RD356220	Carbon Resistor (chip)	2.2K 63M J	チ ッ プ 抵 抗		01
R0114	RD355220	Carbon Resistor (chip)	220.0 63M J	チ ッ プ 抵 抗		01
R0115	RD354220	Carbon Resistor (chip)	22.0 63M J	チ ッ プ 抵 抗		01
R0116	RD354220	Carbon Resistor (chip)	22.0 63M J	チ ッ プ 抵 抗		01
R0117	RD357100	Carbon Resistor (chip)	10.0K 63M J	チ ッ プ 抵 抗		01
-0120	RD357100	Carbon Resistor (chip)	10.0K 63M J	チ ッ プ 抵 抗		01
R0121	RD356470	Carbon Resistor (chip)	4.7K 63M J	チ ッ プ 抵 抗		01
R0122	RD356470	Carbon Resistor (chip)	4.7K 63M J	チ ッ プ 抵 抗		01
R0123	RD357100	Carbon Resistor (chip)	10.0K 63M J	チ ッ プ 抵 抗		01
R0124	RD356120	Carbon Resistor (chip)	1.2K 63M J	チ ッ プ 抵 抗		01
R0125	VC757500	Metal Oxide Film Resistor	33.0 2W J	酸 化 金 属 被 膜 抵 抗		01
R0126	RD356470	Carbon Resistor (chip)	4.7K 63M J	チ ッ プ 抵 抗		01
R0127	RD359100	Carbon Resistor (chip)	1.0M 63M J	チ ッ プ 抵 抗		01
R0128	RD355680	Carbon Resistor (chip)	680.0 63M J	チ ッ プ 抵 抗		01
R0129	RD356470	Carbon Resistor (chip)	4.7K 63M J	チ ッ プ 抵 抗		01
R0130	RD355330	Carbon Resistor (chip)	330.0 63M J	チ ッ プ 抵 抗		01
R0131	RD355330	Carbon Resistor (chip)	330.0 63M J	チ ッ プ 抵 抗		01
R0132	RD355220	Carbon Resistor (chip)	220.0 63M J	チ ッ プ 抵 抗		01
R0133	RD356470	Carbon Resistor (chip)	4.7K 63M J	チ ッ プ 抵 抗		01
-0138	RD356470	Carbon Resistor (chip)	4.7K 63M J	チ ッ プ 抵 抗		01
R0139	RD355330	Carbon Resistor (chip)	330.0 63M J	チ ッ プ 抵 抗		01
R0140	RD355330	Carbon Resistor (chip)	330.0 63M J	チ ッ プ 抵 抗		01
R0141	RD356470	Carbon Resistor (chip)	4.7K 63M J	チ ッ プ 抵 抗		01
-0148	RD356470	Carbon Resistor (chip)	4.7K 63M J	チ ッ プ 抵 抗		01
R0149	RD356100	Carbon Resistor (chip)	1.0K 63M J	チ ッ プ 抵 抗		01
-0151	RD356100	Carbon Resistor (chip)	1.0K 63M J	チ ッ プ 抵 抗		01
R0152	RD356560	Carbon Resistor (chip)	5.6K 63M J	チ ッ プ 抵 抗		01

*: New Parts

RANK: Japan only

REF NO.	PART NO.	DESCRIPTION	部 品 名	REMARKS	QTY	RANK
R0153	RD357560	Carbon Resistor (chip)	56.0K 63M J	チ ッ ブ 抵 抗		01
R0154	RD356100	Carbon Resistor (chip)	1.0K 63M J	チ ッ ブ 抵 抗		01
R0155	RD356100	Carbon Resistor (chip)	1.0K 63M J	チ ッ ブ 抵 抗		01
R0156	RD358100	Carbon Resistor (chip)	100.0K 63M J	チ ッ ブ 抵 抗		01
-0161	RD358100	Carbon Resistor (chip)	100.0K 63M J	チ ッ ブ 抵 抗		01
R0162	RD357100	Carbon Resistor (chip)	10.0K 63M J	チ ッ ブ 抵 抗		01
R0163	RD358100	Carbon Resistor (chip)	100.0K 63M J	チ ッ ブ 抵 抗		01
R0164	RD356100	Carbon Resistor (chip)	1.0K 63M J	チ ッ ブ 抵 抗		01
R0165	RD356100	Carbon Resistor (chip)	1.0K 63M J	チ ッ ブ 抵 抗		01
R0166	RD357470	Carbon Resistor (chip)	47.0K 63M J	チ ッ ブ 抵 抗		01
R0167	RD357100	Carbon Resistor (chip)	10.0K 63M J	チ ッ ブ 抵 抗		01
R0168	RD356470	Carbon Resistor (chip)	4.7K 63M J	チ ッ ブ 抵 抗		01
R0169	RD356470	Carbon Resistor (chip)	4.7K 63M J	チ ッ ブ 抵 抗		01
R0170	RD357150	Carbon Resistor (chip)	15.0K 63M J	チ ッ ブ 抵 抗		01
R0171	RD357100	Carbon Resistor (chip)	10.0K 63M J	チ ッ ブ 抵 抗		01
-0173	RD357100	Carbon Resistor (chip)	10.0K 63M J	チ ッ ブ 抵 抗		01
R0174	RD357180	Carbon Resistor (chip)	18.0K 63M J	チ ッ ブ 抵 抗		01
R0175	RD356100	Carbon Resistor (chip)	1.0K 63M J	チ ッ ブ 抵 抗		01
R0176	RD358100	Carbon Resistor (chip)	100.0K 63M J	チ ッ ブ 抵 抗		01
R0177	RD358100	Carbon Resistor (chip)	100.0K 63M J	チ ッ ブ 抵 抗		01
R0178	RD356100	Carbon Resistor (chip)	1.0K 63M J	チ ッ ブ 抵 抗		01
R0179	RD357470	Carbon Resistor (chip)	47.0K 63M J	チ ッ ブ 抵 抗		01
R0180	RD355100	Carbon Resistor (chip)	100.0 63M J	チ ッ ブ 抵 抗		01
R0181	RD154470	Carbon Resistor (chip)	47.0 1/4 J	チ ッ ブ 抵 抗		01
R0182	RD154470	Carbon Resistor (chip)	47.0 1/4 J	チ ッ ブ 抵 抗		01
R0183	RD155330	Carbon Resistor (chip)	330.0 1/4 J	チ ッ ブ 抵 抗		01
R0184	RD358100	Carbon Resistor (chip)	100.0K 63M J	チ ッ ブ 抵 抗		01
R0185	RD357470	Carbon Resistor (chip)	47.0K 63M J	チ ッ ブ 抵 抗		01
R0186	RD358100	Carbon Resistor (chip)	100.0K 63M J	チ ッ ブ 抵 抗		01
R0187	RD155270	Carbon Resistor (chip)	270.0 1/4 J	チ ッ ブ 抵 抗		01
R0188	RD357470	Carbon Resistor (chip)	47.0K 63M J	チ ッ ブ 抵 抗		01
R0189	RD155330	Carbon Resistor (chip)	330.0 1/4 J	チ ッ ブ 抵 抗		01
R0190	RD358100	Carbon Resistor (chip)	100.0K 63M J	チ ッ ブ 抵 抗		01
R0191	RD155270	Carbon Resistor (chip)	270.0 1/4 J	チ ッ ブ 抵 抗		01
R0192	RD356100	Carbon Resistor (chip)	1.0K 63M J	チ ッ ブ 抵 抗		01
R0193	RD358100	Carbon Resistor (chip)	100.0K 63M J	チ ッ ブ 抵 抗		01
R0194	RD358100	Carbon Resistor (chip)	100.0K 63M J	チ ッ ブ 抵 抗		01
R0195	RD357100	Carbon Resistor (chip)	10.0K 63M J	チ ッ ブ 抵 抗		01
-0200	RD357100	Carbon Resistor (chip)	10.0K 63M J	チ ッ ブ 抵 抗		01
R0201	RD358220	Carbon Resistor (chip)	220.0K 63M J	チ ッ ブ 抵 抗		01
R0204	RD155100	Carbon Resistor (chip)	100.0 1/4 J	チ ッ ブ 抵 抗		01
R0205	RD155100	Carbon Resistor (chip)	100.0 1/4 J	チ ッ ブ 抵 抗		01
R0301	RD357100	Carbon Resistor (chip)	10.0K 63M J	チ ッ ブ 抵 抗		01
R0302	RD359100	Carbon Resistor (chip)	1.0M 63M J	チ ッ ブ 抵 抗		01
R0303	RD357100	Carbon Resistor (chip)	10.0K 63M J	チ ッ ブ 抵 抗		01
R0304	RD355470	Carbon Resistor (chip)	470.0 63M J	チ ッ ブ 抵 抗		01
R0305	RD357270	Carbon Resistor (chip)	27.0K 63M J	チ ッ ブ 抵 抗		01
R0306	RD357150	Carbon Resistor (chip)	15.0K 63M J	チ ッ ブ 抵 抗		01
R0307	RD358100	Carbon Resistor (chip)	100.0K 63M J	チ ッ ブ 抵 抗		01
R0308	RD357330	Carbon Resistor (chip)	33.0K 63M J	チ ッ ブ 抵 抗		01
R0309	RD356100	Carbon Resistor (chip)	1.0K 63M J	チ ッ ブ 抵 抗		01
R0310	RD357330	Carbon Resistor (chip)	33.0K 63M J	チ ッ ブ 抵 抗		01
R0311	RD356220	Carbon Resistor (chip)	2.2K 63M J	チ ッ ブ 抵 抗		01
R0312	RD358100	Carbon Resistor (chip)	100.0K 63M J	チ ッ ブ 抵 抗		01
R0313	RD358100	Carbon Resistor (chip)	100.0K 63M J	チ ッ ブ 抵 抗		01
R0314	RD356330	Carbon Resistor (chip)	3.3K 63M J	チ ッ ブ 抵 抗		01
R0315	RD357330	Carbon Resistor (chip)	33.0K 63M J	チ ッ ブ 抵 抗		01
R0316	RD356150	Carbon Resistor (chip)	1.5K 63M J	チ ッ ブ 抵 抗		01
RA101	RE047100	Resistor Array	10KX4	抵 抗 ア レ イ		01
-112	RE047100	Resistor Array	10KX4	抵 抗 ア レ イ		01
* SW101	WC929600	Slide Switch	SSSF113NA1	ス ラ イ ド ス	LINE SOURCE	
* SW102	WC929700	Slide Switch	SSSF112NA2	ス ラ イ ド ス	OUTPUT LIMITER	
* SW103	WC929600	Slide Switch	SSSF113NA1	ス ラ イ ド ス	SP SIM	
* SW105	WC929800	Slide Switch	SSSF122NA2	ス ラ イ ド ス	FX LOOP LEVEL	
TR101	VV556400	Transistor	2SC2412K Q,R,S	ト ラ ン ジ ス タ		01
TR102	VV556400	Transistor	2SC2412K Q,R,S	ト ラ ン ジ ス タ		01
TR103	VD303700	Transistor	2SC3326 A,B TE85R	ト ラ ン ジ ス タ		01
-108	VD303700	Transistor	2SC3326 A,B TE85R	ト ラ ン ジ ス タ		01
TR301	VV556400	Transistor	2SC2412K Q,R,S	ト ラ ン ジ ス タ		01
TR302	VJ927200	Transistor	2SA1162 O,Y	ト ラ ン ジ ス タ		01

*: New Parts

RANK: Japan only

REF NO.	PART NO.	DESCRIPTION	部 品 名	REMARKS	QTY	RANK
TR303	VV556400	Transistor	2SC2412K Q,R,S	ト ラ ン ジ ス タ		01
VR101	WC928700	Rotary Variable Resistor	RD901-20E3-FB-067	ロ ー タ リ ー V R	PHONES LEVEL	
* VR301	WC928600	Rotary Variable Resistor	RD09L112	ロ ー タ リ ー V R	INPUT LEVEL	
X0101	WA692500	Quartz Crystal Unit	30.0MHZ SMD5X7SPXO	水 晶 発 振 器		
X0102	WC402600	Quartz Crystal Unit	16.0M HC-49SMD	水 晶 振 動 子		
X0103	WC402400	Quartz Crystal Unit	22.5792M HC-49SMD	水 晶 振 動 子		
ZD301	WC424500	Zener Diode	UDZS12B TE-17 12V	ツ ェ ナ ー ダイ オ ー ド		01
*	WC980100	Circuit Board	PN	P N シ ー ト	(X5384A0)	
	--	LED Spacer	DA500BH	L E D ス ペ ー サ ー	(WC93670)	
C0401	US145100	Ceramic Capacitor-F (chip)	0.1000 25V Z	チ ッ プ セ ラ (F)		01
-0404	US145100	Ceramic Capacitor-F (chip)	0.1000 25V Z	チ ッ プ セ ラ (F)		01
CN401	VV067100	Connector Base Post	M2426XX 11P TE	コ ネ ク タ ベ ー ス ポ ス ト		01
CN402	VV067000	Connector Base Post	M2426XX 10P TE	コ ネ ク タ ベ ー ス ポ ス ト		01
CN403	VV067200	Connector Base Post	M2426XX 12P TE	コ ネ ク タ ベ ー ス ポ ス ト		01
D0401	VT332900	Diode	1SS355 TE-17	ダ イ オ ー ド		01
-0407	VT332900	Diode	1SS355 TE-17	ダ イ オ ー ド		01
* IC401	X4257A00	IC	TB62726AF	I C	DRIVER	
LD401	VN135500	LED Display	LB-303VA	L E D デ ィ ス プ レ イ		06
* LD403	WD111600	LED (chip)	SML-512UW	チ ッ プ L E D	HOLD>SAVE 1	
* LD404	WD111600	LED (chip)	SML-512UW	チ ッ プ L E D	HOLD>SAVE 2	
* LD405	WD111600	LED (chip)	SML-512UW	チ ッ プ L E D	HOLD>SAVE 3	
* LD406	WD111600	LED (chip)	SML-512UW	チ ッ プ L E D	HOLD>SAVE 4	
* LD407	WD111600	LED (chip)	SML-512UW	チ ッ プ L E D	HOLD>SAVE 5	
* LD408	WC929500	LED	LT2P11-81	L E D	FLAT	
* LD409	WC929500	LED	LT2P11-81	L E D	TUBE	
* LD410	WC929500	LED	LT2P11-81	L E D	SOLID	
* LD411	WC929500	LED	LT2P11-81	L E D	R&B	
* LD412	WC929500	LED	LT2P11-81	L E D	VINTAGE	
* LD413	WC929500	LED	LT2P11-81	L E D	MODERN	
* LD414	WC929500	LED	LT2P11-81	L E D	CLASSIC	
* LD415	WC929500	LED	LT2P11-81	L E D	HEAVY	
* LD416	WC929500	LED	LT2P11-81	L E D	DRIVE	
* LD417	WC929500	LED	LT2P11-81	L E D	DIST	
* LD418	WC929500	LED	LT2P11-81	L E D	FUZZ	
* LD419	WD111600	LED (chip)	SML-512UW	チ ッ プ L E D	RATIO	
* LD420	WD111600	LED (chip)	SML-512UW	チ ッ プ L E D	RATIO	
* LD421	WD111600	LED (chip)	SML-512UW	チ ッ プ L E D	THRSLD	
* LD422	WD111600	LED (chip)	SML-512UW	チ ッ プ L E D	THRSLD	
* LD423	WD111600	LED (chip)	SML-512UW	チ ッ プ L E D	ATTACK	
* LD424	WD111600	LED (chip)	SML-512UW	チ ッ プ L E D	ATTACK	
* LD425	WD111600	LED (chip)	SML-512UW	チ ッ プ L E D	RELEASE	
* LD426	WD111600	LED (chip)	SML-512UW	チ ッ プ L E D	RELEASE	
* LD427	WD111600	LED (chip)	SML-512UW	チ ッ プ L E D	C.GAIN	
* LD428	WD111600	LED (chip)	SML-512UW	チ ッ プ L E D	C.GAIN	
* LD429	WD111600	LED (chip)	SML-512UW	チ ッ プ L E D	KNEE	
* LD430	WD111600	LED (chip)	SML-512UW	チ ッ プ L E D	KNEE	
* LD431	WD111600	LED (chip)	SML-512UW	チ ッ プ L E D	N.GATE	
* LD432	WD111600	LED (chip)	SML-512UW	チ ッ プ L E D	N.GATE	
* LD433	WD111600	LED (chip)	SML-512UW	チ ッ プ L E D	BLEND	
* LD434	WD111600	LED (chip)	SML-512UW	チ ッ プ L E D	BLEND	
* LD435	WD111600	LED (chip)	SML-512UW	チ ッ プ L E D	PEQ F	
* LD436	WD111600	LED (chip)	SML-512UW	チ ッ プ L E D	PEQ F	
* LD437	WD111600	LED (chip)	SML-512UW	チ ッ プ L E D	PEQ Q	
* LD438	WD111600	LED (chip)	SML-512UW	チ ッ プ L E D	PEQ Q	
* LD439	WD111600	LED (chip)	SML-512UW	チ ッ プ L E D	PEQ G	
* LD440	WD111600	LED (chip)	SML-512UW	チ ッ プ L E D	PEQ G	
* LD441	WD111600	LED (chip)	SML-512UW	チ ッ プ L E D	FREQ	
* LD442	WD111600	LED (chip)	SML-512UW	チ ッ プ L E D	FREQ	
* LD443	WD111600	LED (chip)	SML-512UW	チ ッ プ L E D	FREQ	
* LD444	WD111600	LED (chip)	SML-512UW	チ ッ プ L E D	FREQ	
* LD445	WD111600	LED (chip)	SML-512UW	チ ッ プ L E D	FREQ	
* LD446	WD111600	LED (chip)	SML-512UW	チ ッ プ L E D	FREQ	
* LD447	WD111600	LED (chip)	SML-512UW	チ ッ プ L E D	FREQ	
* LD448	WD111600	LED (chip)	SML-512UW	チ ッ プ L E D	FREQ	
* LD449	WD111600	LED (chip)	SML-512UW	チ ッ プ L E D	FREQ	
* LD450	WD111600	LED (chip)	SML-512UW	チ ッ プ L E D	FREQ	
R0401	RD355100	Carbon Resistor (chip)	100.0 63M J	チ ッ プ 抵 抗		01
R0402	RD357100	Carbon Resistor (chip)	10.0K 63M J	チ ッ プ 抵 抗		01
-0412	RD357100	Carbon Resistor (chip)	10.0K 63M J	チ ッ プ 抵 抗		01

*: New Parts

RANK: Japan only

REF NO.	PART NO.	DESCRIPTION		部 品 名	REMARKS	QTY	RANK
* SW401	WD479300	Tact Switch	SFKHHQW2720-EJ	タ ク ト S W	FUNCTION		
* SW402	WD479300	Tact Switch	SFKHHQW2720-EJ	タ ク ト S W	HOLD>UNDO MANUAL		
* SW403	WD479300	Tact Switch	SFKHHQW2720-EJ	タ ク ト S W	HOLD>SAVE 1		
* SW404	WD479300	Tact Switch	SFKHHQW2720-EJ	タ ク ト S W	HOLD>SAVE 2		
* SW405	WD479300	Tact Switch	SFKHHQW2720-EJ	タ ク ト S W	HOLD>SAVE 3		
* SW406	WD479300	Tact Switch	SFKHHQW2720-EJ	タ ク ト S W	HOLD>SAVE 4		
* SW407	WD479300	Tact Switch	SFKHHQW2720-EJ	タ ク ト S W	HOLD>SAVE 5		
TA401	VQ202400	Transistor Array	TD62785F SOURCE	ト ラ ン ジ ス タ ア レ イ			04
* VR401	WC929100	Rotary Variable Resistor	RD901-40-LFP-0DD	ロ ー タ リ ー V R 1 1 点	SOUND TYPE		
* VR402	WC929000	Rotary Variable Resistor	RK09L114	ロ ー タ リ ー V R	COMP		
* VR403	WC929000	Rotary Variable Resistor	RK09L114	ロ ー タ リ ー V R	GAIN		
* VR404	WC929000	Rotary Variable Resistor	RK09L114	ロ ー タ リ ー V R	MASTER		
* VR405	WC929000	Rotary Variable Resistor	RK09L114	ロ ー タ リ ー V R	BASS		
* VR406	WC929000	Rotary Variable Resistor	RK09L114	ロ ー タ リ ー V R	LOW MID		
* VR407	WC929000	Rotary Variable Resistor	RK09L114	ロ ー タ リ ー V R	MIDDLE		
* VR408	WC929000	Rotary Variable Resistor	RK09L114	ロ ー タ リ ー V R	HIGH MID		
* VR409	WC929000	Rotary Variable Resistor	RK09L114	ロ ー タ リ ー V R	TREBLE		
* VR410	WC929000	Rotary Variable Resistor	RK09L114	ロ ー タ リ ー V R	OUTPUT		
*	WC896900	Circuit Board	PW	P W シ ー ト J	J (X4590D0)		
*	WC897000	Circuit Board	PW	P W シ ー ト U	U (X4590D0)		
*	WC897200	Circuit Board	PW	P W シ ー ト E	H,B (X4590D0)		
*	WD063400	Radiation Sheet	24_19	放 熱 シ ー ト 2 4 _ 1 9		4	
	EG330360	Bind Head Screw	3.0X6 MFZN2BL	+ バ イ ン ド 小 ネ ジ			
	EG330380	Bind Head Screw	3.0X10 MFZN2BL	+ バ イ ン ド 小 ネ ジ		11	01
	ES200020	Hexagonal Nut	#2 3.0 MFZN2Y	六 角 ナ ッ ト			01
	V8929200	Fuse Holder	CQ-205SPP	ヒ ュ ー ズ ホ ル ダ	J,U	2	
	VV319600	Fuse Holder	CQ-05CT RX TP	ヒ ュ ー ズ ホ ル ダ	H,B	2	01
	--	Heat Sink	T220M 25L	ヒ ー ト シ ン ク	(BA80852)		
	--	Heat Sink		ヒ ー ト シ ン ク	(V850150)	2	
	--	Heat Sink		ヒ ー ト シ ン ク	(V850210)	3	
	--	Shield Case		シ ー ル ド ケ ー ス	(WD87100)		
	--	Case Cover		ケ ー ス カ バ ー	(WE35290)		
	--	Heat Sink Cover		ヒ ー ト シ ン ク カ バ ー	(WE35300)		
	--	GND Wire Kit	#18 1P L 150	ア ー ス 線 材 キ ッ ト	(WD19690)		
⚠ C101	V6113500	Capacitor	1000P 400V J.U.C.S	規 格 認 定 コ ン			
⚠ * C102	V9365100	Capacitor	1.00 275V UCS	規 格 認 定 コ ン			
⚠ C103	V6185400	Capacitor	3300P 400V J.U.C.S	規 格 認 定 コ ン			01
⚠ C104	V6185400	Capacitor	3300P 400V J.U.C.S	規 格 認 定 コ ン			01
⚠ * C105	V9365100	Capacitor	1.00 275V UCS	規 格 認 定 コ ン			
C106	UA355100	Mylar Capacitor	0.1000 50V J RX TP	マ イ ラ ー コ ン			01
C107	UR659100	Electrolytic Cap.	1000 35.0V RX ST	ケ ミ コ ン			01
C108	UR847100	Electrolytic Cap.	10.00 25.0V RX TP	ケ ミ コ ン			01
C109	UR847100	Electrolytic Cap.	10.00 25.0V RX TP	ケ ミ コ ン			01
C110	UA355100	Mylar Capacitor	0.1000 50V J RX TP	マ イ ラ ー コ ン			01
C111	UA353100	Mylar Capacitor	1000P 50V J RX TP	マ イ ラ ー コ ン			01
C112	UA355100	Mylar Capacitor	0.1000 50V J RX TP	マ イ ラ ー コ ン			01
C113	UR847220	Electrolytic Cap.	22.00 25.0V RX TP	ケ ミ コ ン			01
C114	US065100	Ceramic Capacitor-F (chip)	0.100 50V Z RECT.	チ ッ プ セ ラ F			
C115	UR847100	Electrolytic Cap.	10.00 25.0V RX TP	ケ ミ コ ン			01
C116	VV321100	Monolithic Mylar Capacitor	0.22 50V J RX TP	積 層 マ イ ラ ー コ ン			01
C117	V9136100	Polypropylene Capacitor	1.2000 250V J	P P コ ン	J		
C117	V9135800	Polypropylene Capacitor	1.0000 250V J	P P コ ン	U,H,B		02
* C118	WC902300	Electrolytic Cap.	2200U 200V SNAP	ケ ミ コ ン			
* C119	WC902300	Electrolytic Cap.	2200U 200V SNAP	ケ ミ コ ン			
* C122	WC901600	Electrolytic Cap.	2200/35V PW	ケ ミ コ ン P W			
* C123	WC901600	Electrolytic Cap.	2200/35V PW	ケ ミ コ ン P W			
* C124	WC901400	Electrolytic Cap.	470/35V PW	ケ ミ コ ン P W			
* -126	WC901400	Electrolytic Cap.	470/35V PW	ケ ミ コ ン P W			
C127	UR847100	Electrolytic Cap.	10.00 25.0V RX TP	ケ ミ コ ン			01
-129	UR847100	Electrolytic Cap.	10.00 25.0V RX TP	ケ ミ コ ン			01
C130	UA355100	Mylar Capacitor	0.1000 50V J RX TP	マ イ ラ ー コ ン			01
C131	UR866100	Electrolytic Cap.	1.00 50.0V RX TP	ケ ミ コ ン			01
C132	UR866470	Electrolytic Cap.	4.70 50.0V RX TP	ケ ミ コ ン			01
C133	UR866470	Electrolytic Cap.	4.70 50.0V RX TP	ケ ミ コ ン			01
C134	US064100	Ceramic Capacitor-B (chip)	0.0100 50V K RECT.	チ ッ プ セ ラ (B)			01
⚠ * C135	V9365100	Capacitor	1.00 275V UCS	規 格 認 定 コ ン			
C136	US065100	Ceramic Capacitor-F (chip)	0.100 50V Z RECT.	チ ッ プ セ ラ F			
C137	US063220	Ceramic Capacitor-B (chip)	2200P 50V K RECT.	チ ッ プ セ ラ (B)			01
C138	US063220	Ceramic Capacitor-B (chip)	2200P 50V K RECT.	チ ッ プ セ ラ (B)			01

*: New Parts

RANK: Japan only

REF NO.	PART NO.	DESCRIPTION	部 品 名	REMARKS	QTY	RANK
C139	US063220	Ceramic Capacitor-B (chip)	2200P 50V K RECT.	チップセラ (B)		01
C140	US063220	Ceramic Capacitor-B (chip)	2200P 50V K RECT.	チップセラ (B)		01
C141	US065100	Ceramic Capacitor-F (chip)	0.100 50V Z RECT.	チップセラ F		
C142	US065100	Ceramic Capacitor-F (chip)	0.100 50V Z RECT.	チップセラ F		
* C143	WC901900	Electrolytic Cap.	10.00 100.0V PW	ケミコン P W		
C144	US065100	Ceramic Capacitor-F (chip)	0.100 50V Z RECT.	チップセラ F		
* C145	WC383600	Ceramic Capacitor-F (chip)	0.1UF 100V Z RECT.	チップセラ F		
C146	US063220	Ceramic Capacitor-B (chip)	2200P 50V K RECT.	チップセラ (B)		01
C147	US065100	Ceramic Capacitor-F (chip)	0.100 50V Z RECT.	チップセラ F		
* C148	WC901900	Electrolytic Cap.	10.00 100.0V PW	ケミコン P W		
C149	US063220	Ceramic Capacitor-B (chip)	2200P 50V K RECT.	チップセラ (B)		01
-151	US063220	Ceramic Capacitor-B (chip)	2200P 50V K RECT.	チップセラ (B)		01
C152	US065100	Ceramic Capacitor-F (chip)	0.100 50V Z RECT.	チップセラ F		
* C153	WC383600	Ceramic Capacitor-F (chip)	0.1UF 100V Z RECT.	チップセラ F		
* C154	WC901900	Electrolytic Cap.	10.00 100.0V PW	ケミコン P W		
C155	UA353330	Mylar Capacitor	3300P 50V J RX TP	マイラ - コン		01
C156	V9135800	Polypropylene Capacitor	1.0000 250V J	P P コン		02
C157	VU838100	Monolithic Mylar Capacitor	ECQ-V1H105JL3	積層マイラ - コン		
C158	UA353330	Mylar Capacitor	3300P 50V J RX TP	マイラ - コン		01
C159	V9135800	Polypropylene Capacitor	1.0000 250V J	P P コン		02
C160	VU838100	Monolithic Mylar Capacitor	ECQ-V1H105JL3	積層マイラ - コン		
* C161	WC383600	Ceramic Capacitor-F (chip)	0.1UF 100V Z RECT.	チップセラ F		
* C162	WC901900	Electrolytic Cap.	10.00 100.0V PW	ケミコン P W		
* C163	WC901600	Electrolytic Cap.	2200/35V PW	ケミコン P W		
* C164	WC901600	Electrolytic Cap.	2200/35V PW	ケミコン P W		
C165	US065100	Ceramic Capacitor-F (chip)	0.100 50V Z RECT.	チップセラ F		
-167	US065100	Ceramic Capacitor-F (chip)	0.100 50V Z RECT.	チップセラ F		
C168	US126100	Ceramic Capacitor-F (chip)	1.0000 10V Z RECT.	チップセラ F		01
C169	US126100	Ceramic Capacitor-F (chip)	1.0000 10V Z RECT.	チップセラ F		01
C170	US135220	Ceramic Capacitor-F (chip)	0.2200 16V Z RECT.	チップセラ (F)		01
C171	US064100	Ceramic Capacitor-B (chip)	0.0100 50V K RECT.	チップセラ (B)		01
C172	US063220	Ceramic Capacitor-B (chip)	2200P 50V K RECT.	チップセラ (B)		01
* C173	WC383600	Ceramic Capacitor-F (chip)	0.1UF 100V Z RECT.	チップセラ F		
* C174	WC901900	Electrolytic Cap.	10.00 100.0V PW	ケミコン P W		
* C175	WC383600	Ceramic Capacitor-F (chip)	0.1UF 100V Z RECT.	チップセラ F		
* C176	WC901900	Electrolytic Cap.	10.00 100.0V PW	ケミコン P W		
* C177	WC383600	Ceramic Capacitor-F (chip)	0.1UF 100V Z RECT.	チップセラ F		
* C178	WC901900	Electrolytic Cap.	10.00 100.0V PW	ケミコン P W		
* C179	WC383600	Ceramic Capacitor-F (chip)	0.1UF 100V Z RECT.	チップセラ F		
* C180	WC901900	Electrolytic Cap.	10.00 100.0V PW	ケミコン P W		
C181	US063100	Ceramic Capacitor-B (chip)	1000P 50V K RECT.	チップセラ (B)		01
-183	US063100	Ceramic Capacitor-B (chip)	1000P 50V K RECT.	チップセラ (B)		01
* C184	WC383600	Ceramic Capacitor-F (chip)	0.1UF 100V Z RECT.	チップセラ F		
* C185	WC901900	Electrolytic Cap.	10.00 100.0V PW	ケミコン P W		
C186	US063100	Ceramic Capacitor-B (chip)	1000P 50V K RECT.	チップセラ (B)		01
-194	US063100	Ceramic Capacitor-B (chip)	1000P 50V K RECT.	チップセラ (B)		01
* C195	WC383600	Ceramic Capacitor-F (chip)	0.1UF 100V Z RECT.	チップセラ F		
* C198	WC383600	Ceramic Capacitor-F (chip)	0.1UF 100V Z RECT.	チップセラ F		
C199	UA353330	Mylar Capacitor	3300P 50V J RX TP	マイラ - コン		01
C200	UR848100	Electrolytic Cap.	100.00 25.0V RX TP	ケミコン		01
C201	UA353330	Mylar Capacitor	3300P 50V J RX TP	マイラ - コン		01
C202	VU838100	Monolithic Mylar Capacitor	ECQ-V1H105JL3	積層マイラ - コン		
* C203	WC383600	Ceramic Capacitor-F (chip)	0.1UF 100V Z RECT.	チップセラ F		
* C204	WC383600	Ceramic Capacitor-F (chip)	0.1UF 100V Z RECT.	チップセラ F		
C205	US062220	Ceramic Capacitor-SL(chip)	220P 50V J RECT.	チップセラ (S L)		01
C206	US062220	Ceramic Capacitor-SL(chip)	220P 50V J RECT.	チップセラ (S L)		01
C207	VU838100	Monolithic Mylar Capacitor	ECQ-V1H105JL3	積層マイラ - コン		
C208	US062220	Ceramic Capacitor-SL(chip)	220P 50V J RECT.	チップセラ (S L)		01
-217	US062220	Ceramic Capacitor-SL(chip)	220P 50V J RECT.	チップセラ (S L)		01
C218	VV321100	Monolithic Mylar Capacitor	0.22 50V J RX TP	積層マイラ - コン		01
C219	US065100	Ceramic Capacitor-F (chip)	0.100 50V Z RECT.	チップセラ F		
C223	US135220	Ceramic Capacitor-F (chip)	0.2200 16V Z RECT.	チップセラ (F)		01
-232	US135220	Ceramic Capacitor-F (chip)	0.2200 16V Z RECT.	チップセラ (F)		01
△ CN101	V5817000	AC Inlet	F-301L	A C インレット 3 P		02
CN102	LB932020	Base Post Connector	VH 2P TE	ベ - ス ポ ス ト	J,H,B	01
CN103	LB918060	Base Post Connector	XH 6P TE	ベ - ス ツ キ ポ ス ト		01
CN104	LB918020	Base Post Connector	XH 2P TE	ベ - ス ツ キ ポ ス ト		01
CN105	LB932030	Base Post Connector	VH 3P TE	ベ - ス ポ ス ト		01
CN106	LB918070	Base Post Connector	XH 7P TE	ベ - ス ツ キ ポ ス ト		01
CN107	LB918030	Base Post Connector	XH 3P TE	ベ - ス ツ キ ポ ス ト		01

*: New Parts

RANK: Japan only

REF NO.	PART NO.	DESCRIPTION	部 品 名	REMARKS	QTY	RANK
CN108	LB918030	Base Post Connector	XH 3P TE	ベースツキポスト		01
D101	VT532500	Diode	1SR154-400 TP	ダイオード		01
D102	VQ308300	Diode	D1NL40 TP 4083	ダイオード		02
D103	VT332900	Diode	1SS355 TE-17 TP	ダイオード		01
D104	VT332900	Diode	1SS355 TE-17 TP	ダイオード	H,B	01
D105	VT332900	Diode	1SS355 TE-17 TP	ダイオード	H,B	01
D106	VT332900	Diode	1SS355 TE-17 TP	ダイオード		01
* D107	WC308400	Diode Stack	KCH30A15 30A 150V	ダイオードスタック		
* D108	WC308500	Diode Stack	KRH30A15 30A 150V	ダイオードスタック		
D109	VN478200	Diode	D1NL20U RX TP	ダイオード		01
-113	VN478200	Diode	D1NL20U RX TP	ダイオード		01
D114	VT532500	Diode	1SR154-400 TP	ダイオード		01
D115	VT532500	Diode	1SR154-400 TP	ダイオード		01
D116	VT332900	Diode	1SS355 TE-17 TP	ダイオード		01
△ D117	VR149900	Diode Stack	D25XB60 25.0A 600	ダイオードスタック		06
D118	VT532500	Diode	1SR154-400 TP	ダイオード		01
D119	VT332900	Diode	1SS355 TE-17 TP	ダイオード		01
D121	VT532500	Diode	1SR154-400 TP	ダイオード		01
-124	VT532500	Diode	1SR154-400 TP	ダイオード		01
△ F101	KB001390	Fuse	10.00A U	ヒューズ	J,U	03
△ F101	KB003360	Fuse	ST 6.3A H250VS505	ヒューズ	H,B	02
IC101	XD853A00	IC	NJM7815FA	I C	REGULATOR +15V	03
IC102	X2264A00	IC	IR2153	I C	CONTROLLER	04
IC103	XD853A00	IC	NJM7815FA	I C	REGULATOR +15V	03
IC104	XJ607A00	IC	NJM7805FA 5V	I C	REGULATOR +5V	02
IC105	XD854A00	IC	NJM7915FA	I C	REGULATOR -15V	03
IC106	V8100500	Photo Coupler	TLP421 GR	I C	PHOTO COUPLER	01
* IC107	X4450A00	IC	TDA7571	I C	DIGITAL POWER AMP	
IC108	X0009A00	IC	S-80128BNMC-JGN	I C	SYSTEM RESET	01
JK101	V8102300	Phone Jack	STJACK LJB0661	ホンコネクタ	SPEAKER 2	02
JK102	V8102300	Phone Jack	STJACK LJB0661	ホンコネクタ	SPEAKER 1	02
K1	VN774800	GND Washer	MEP1866 #11102	アースワッシャー		01
* L101	WC927100	Coil	YT-14203 11uH	コイル 1 1 U		
* L102	WC927100	Coil	YT-14203 11uH	コイル 1 1 U		
L103	VS740100	Chip Inductance	BLM21B20	チップインダクタ		03
L104	VS740100	Chip Inductance	BLM21B20	チップインダクタ		03
PR101	VL965100	Positive Thermistor	PTFM04BE222Q2N34B0	ボジスタ		04
PR102	VL964800	Positive Thermistor	PTFM04BH222Q2N34B0	ボジスタ		04
PR103	VL964800	Positive Thermistor	PTFM04BH222Q2N34B0	ボジスタ		04
Q101	VV556400	Transistor	2SC2412K Q,R,S TP	トランジスタ		01
Q102	VJ927200	Transistor	2SA1162 O,Y	トランジスタ		01
-104	VJ927200	Transistor	2SA1162 O,Y	トランジスタ		01
Q105	VV556400	Transistor	2SC2412K Q,R,S TP	トランジスタ		01
Q106	V8101000	Transistor	2SC2655 O,Y TP	トランジスタ		01
Q107	VI242900	Transistor	2SA2SA1020Y TPE6Y	トランジスタ		01
Q108	V8101000	Transistor	2SC2655 O,Y TP	トランジスタ		01
Q109	VI242900	Transistor	2SA2SA1020Y TPE6Y	トランジスタ		01
Q110	V8234000	IGBT	TOR 1MBK50D 600V	I G B T		09
Q111	V8234000	IGBT	TOR 1MBK50D 600V	I G B T		09
Q112	VD303700	Transistor	2SC3326 A,B TE85R	トランジスタ		01
Q113	VJ927200	Transistor	2SA1162 O,Y	トランジスタ		01
Q114	VV556400	Transistor	2SC2412K Q,R,S TP	トランジスタ		01
Q115	VJ927200	Transistor	2SA1162 O,Y	トランジスタ		01
Q116	VV556400	Transistor	2SC2412K Q,R,S TP	トランジスタ		01
Q117	VV556400	Transistor	2SC2412K Q,R,S TP	トランジスタ		01
Q118	VS883400	Transistor	2SD2394 E,F ST	トランジスタ		02
Q119	VV556400	Transistor	2SC2412K Q,R,S TP	トランジスタ		01
* Q120	WC229300	FET	STP16NF06	F E T N - C H		
* Q121	WC229300	FET	STP16NF06	F E T N - C H		
* Q122	WB532100	FET	STP12PF06	F E T P - C H		
* -127	WB532100	FET	STP12PF06	F E T P - C H		
* Q128	WC229300	FET	STP16NF06	F E T N - C H		
* -131	WC229300	FET	STP16NF06	F E T N - C H		
Q132	VV556400	Transistor	2SC2412K Q,R,S TP	トランジスタ		01
R101	HV754330	Flame Proof C. Resistor	33.0 1/4 J RX TP	不燃化カーボン抵抗		01
R102	RD357100	Carbon Resistor (chip)	10.0K 63M J RECT.	チップ抵抗		01
R103	RD357100	Carbon Resistor (chip)	10.0K 63M J RECT.	チップ抵抗		01
R104	RD356470	Carbon Resistor (chip)	4.7K 63M J RECT.	チップ抵抗		01
R105	RD357220	Carbon Resistor (chip)	22.0K 63M J RECT.	チップ抵抗		01
-107	RD357220	Carbon Resistor (chip)	22.0K 63M J RECT.	チップ抵抗		01

*: New Parts

RANK: Japan only

REF NO.	PART NO.	DESCRIPTION	部 品 名	REMARKS	QTY	RANK
R108	RD356100	Carbon Resistor (chip)	1.0K 63M J RECT.	チ ッ プ 抵 抗		01
R109	RD357220	Carbon Resistor (chip)	22.0K 63M J RECT.	チ ッ プ 抵 抗		01
R110	RD357100	Carbon Resistor (chip)	10.0K 63M J RECT.	チ ッ プ 抵 抗		01
R111	RD357220	Carbon Resistor (chip)	22.0K 63M J RECT.	チ ッ プ 抵 抗		01
R112	RD359100	Carbon Resistor (chip)	1.0M 63M J RECT.	チ ッ プ 抵 抗		01
R113	RD357100	Carbon Resistor (chip)	10.0K 63M J RECT.	チ ッ プ 抵 抗		01
R114	RD156100	Carbon Resistor (chip)	1.0K 1/4 J TP	チ ッ プ 抵 抗		01
R115	RD155330	Carbon Resistor (chip)	330.0 1/4 J TP	チ ッ プ 抵 抗		01
R116	VZ370200	Wire Wound Resistor	0.1 5W K	セ メ ン ト 抵 抗		01
R117	VZ370200	Wire Wound Resistor	0.1 5W K	セ メ ン ト 抵 抗		01
R118	VV058500	Flame Proof C. Resistor	10.0 1/4 J RX TP	不 燃 化 カ ー ボ ン 抵 抗	J,U	01
R118	HV754330	Flame Proof C. Resistor	33.0 1/4 J RX TP	不 燃 化 カ ー ボ ン 抵 抗	H,B	01
R119	VV058500	Flame Proof C. Resistor	10.0 1/4 J RX TP	不 燃 化 カ ー ボ ン 抵 抗	J,U	01
R119	HV754330	Flame Proof C. Resistor	33.0 1/4 J RX TP	不 燃 化 カ ー ボ ン 抵 抗	H,B	01
R120	RD357100	Carbon Resistor (chip)	10.0K 63M J RECT.	チ ッ プ 抵 抗		01
* R121	WC364700	Metal Oxide Film Resistor	22.0K 3W J	サ ン キ ン 抵 抗		01
R122	RD357100	Carbon Resistor (chip)	10.0K 63M J RECT.	チ ッ プ 抵 抗		01
* R123	WC903900	Wire Wound Resistor	6.8 5W J	セ メ ン ト 抵 抗 F 付 き		01
* R124	WC903900	Wire Wound Resistor	6.8 5W J	セ メ ン ト 抵 抗 F 付 き		01
R126	RD156150	Carbon Resistor (chip)	1.5K 1/4 J TP	チ ッ プ 抵 抗		01
* R127	WC364700	Metal Oxide Film Resistor	22.0K 3W J	サ ン キ ン 抵 抗		01
R129	RD157100	Carbon Resistor (chip)	10.0K 1/4 J TP	チ ッ プ 抵 抗		01
R130	RD357220	Carbon Resistor (chip)	22.0K 63M J RECT.	チ ッ プ 抵 抗		01
R131	RD358100	Carbon Resistor (chip)	100.0K 63M J RECT.	チ ッ プ 抵 抗		01
R132	RD356100	Carbon Resistor (chip)	1.0K 63M J RECT.	チ ッ プ 抵 抗		01
R133	RD358100	Carbon Resistor (chip)	100.0K 63M J RECT.	チ ッ プ 抵 抗		01
R134	RD358100	Carbon Resistor (chip)	100.0K 63M J RECT.	チ ッ プ 抵 抗		01
* R135	RD158120	Carbon Resistor (chip)	120K 1/4 J TP	チ ッ プ 抵 抗		01
R140	RD357100	Carbon Resistor (chip)	10.0K 63M J RECT.	チ ッ プ 抵 抗		01
R141	RD356560	Carbon Resistor (chip)	5.6K 63M J RECT.	チ ッ プ 抵 抗		01
R142	RD157100	Carbon Resistor (chip)	10.0K 1/4 J TP	チ ッ プ 抵 抗		01
R143	RD157100	Carbon Resistor (chip)	10.0K 1/4 J TP	チ ッ プ 抵 抗		01
R144	RD355470	Carbon Resistor (chip)	470.0 63M J RECT.	チ ッ プ 抵 抗		01
R145	RD355100	Carbon Resistor (chip)	100.0 63M J RECT.	チ ッ プ 抵 抗		01
R146	RD156150	Carbon Resistor (chip)	1.5K 1/4 J TP	チ ッ プ 抵 抗		01
R147	RD156150	Carbon Resistor (chip)	1.5K 1/4 J TP	チ ッ プ 抵 抗		01
R148	RD356470	Carbon Resistor (chip)	4.7K 63M J RECT.	チ ッ プ 抵 抗		01
R149	RD154100	Carbon Resistor (chip)	10.0 1/4 J TP	チ ッ プ 抵 抗		01
R150	RD154150	Carbon Resistor (chip)	15.0 1/4 J TP	チ ッ プ 抵 抗		01
R151	RD154220	Carbon Resistor (chip)	22.0 1/4 J TP	チ ッ プ 抵 抗		01
R152	RD154220	Carbon Resistor (chip)	22.0 1/4 J TP	チ ッ プ 抵 抗		01
R153	RD156150	Carbon Resistor (chip)	1.5K 1/4 J TP	チ ッ プ 抵 抗		01
R154	RD356470	Carbon Resistor (chip)	4.7K 63M J RECT.	チ ッ プ 抵 抗		01
R155	RD355100	Carbon Resistor (chip)	100.0 63M J RECT.	チ ッ プ 抵 抗		01
* R156	WB522000	Wire Wound Resistor	0.01 5W J ST	セ メ ン ト 抵 抗		01
* -159	WB522000	Wire Wound Resistor	0.01 5W J ST	セ メ ン ト 抵 抗		01
* R160	WC365000	Metal Oxide Film Resistor	27 3W J	サ ン キ ン 抵 抗		01
* R161	WE884100	Metal Oxide Film Resistor	10 5W J	サ ン キ ン 抵 抗		01
* R162	WC365000	Metal Oxide Film Resistor	27 3W J	サ ン キ ン 抵 抗		01
* R163	WE884100	Metal Oxide Film Resistor	10 5W J	サ ン キ ン 抵 抗		01
R164	RD356100	Carbon Resistor (chip)	1.0K 63M J RECT.	チ ッ プ 抵 抗		01
R165	RD356390	Carbon Resistor (chip)	3.9K 63M J RECT.	チ ッ プ 抵 抗		01
R166	RD357100	Carbon Resistor (chip)	10.0K 63M J RECT.	チ ッ プ 抵 抗		01
R167	RD154470	Carbon Resistor (chip)	47.0 1/4 J TP	チ ッ プ 抵 抗		01
R168	RD154470	Carbon Resistor (chip)	47.0 1/4 J TP	チ ッ プ 抵 抗		01
R169	RD357100	Carbon Resistor (chip)	10.0K 63M J RECT.	チ ッ プ 抵 抗		01
R170	RD358100	Carbon Resistor (chip)	100.0K 63M J RECT.	チ ッ プ 抵 抗		01
R171	RD356470	Carbon Resistor (chip)	4.7K 63M J RECT.	チ ッ プ 抵 抗		01
R172	RD154150	Carbon Resistor (chip)	15.0 1/4 J TP	チ ッ プ 抵 抗		01
R173	RD154100	Carbon Resistor (chip)	10.0 1/4 J TP	チ ッ プ 抵 抗		01
R174	RD356470	Carbon Resistor (chip)	4.7K 63M J RECT.	チ ッ プ 抵 抗		01
R175	RD357220	Carbon Resistor (chip)	22.0K 63M J RECT.	チ ッ プ 抵 抗		01
R176	RD357220	Carbon Resistor (chip)	22.0K 63M J RECT.	チ ッ プ 抵 抗		01
R177	RD355100	Carbon Resistor (chip)	100.0 63M J RECT.	チ ッ プ 抵 抗		01
R178	RD156150	Carbon Resistor (chip)	1.5K 1/4 J TP	チ ッ プ 抵 抗		01
R179	RD355100	Carbon Resistor (chip)	100.0 63M J RECT.	チ ッ プ 抵 抗		01
R180	RD357220	Carbon Resistor (chip)	22.0K 63M J RECT.	チ ッ プ 抵 抗		01
R181	RD356390	Carbon Resistor (chip)	3.9K 63M J RECT.	チ ッ プ 抵 抗		01
R182	RD356100	Carbon Resistor (chip)	1.0K 63M J RECT.	チ ッ プ 抵 抗		01
R183	RD356100	Carbon Resistor (chip)	1.0K 63M J RECT.	チ ッ プ 抵 抗		01

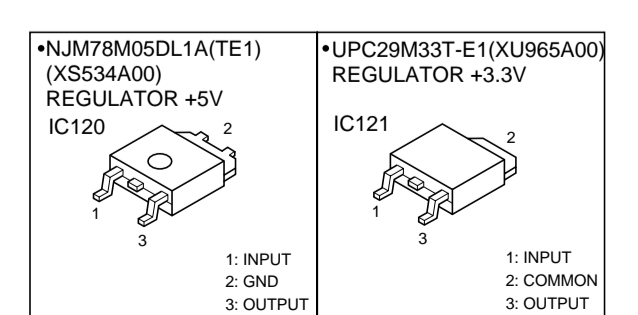
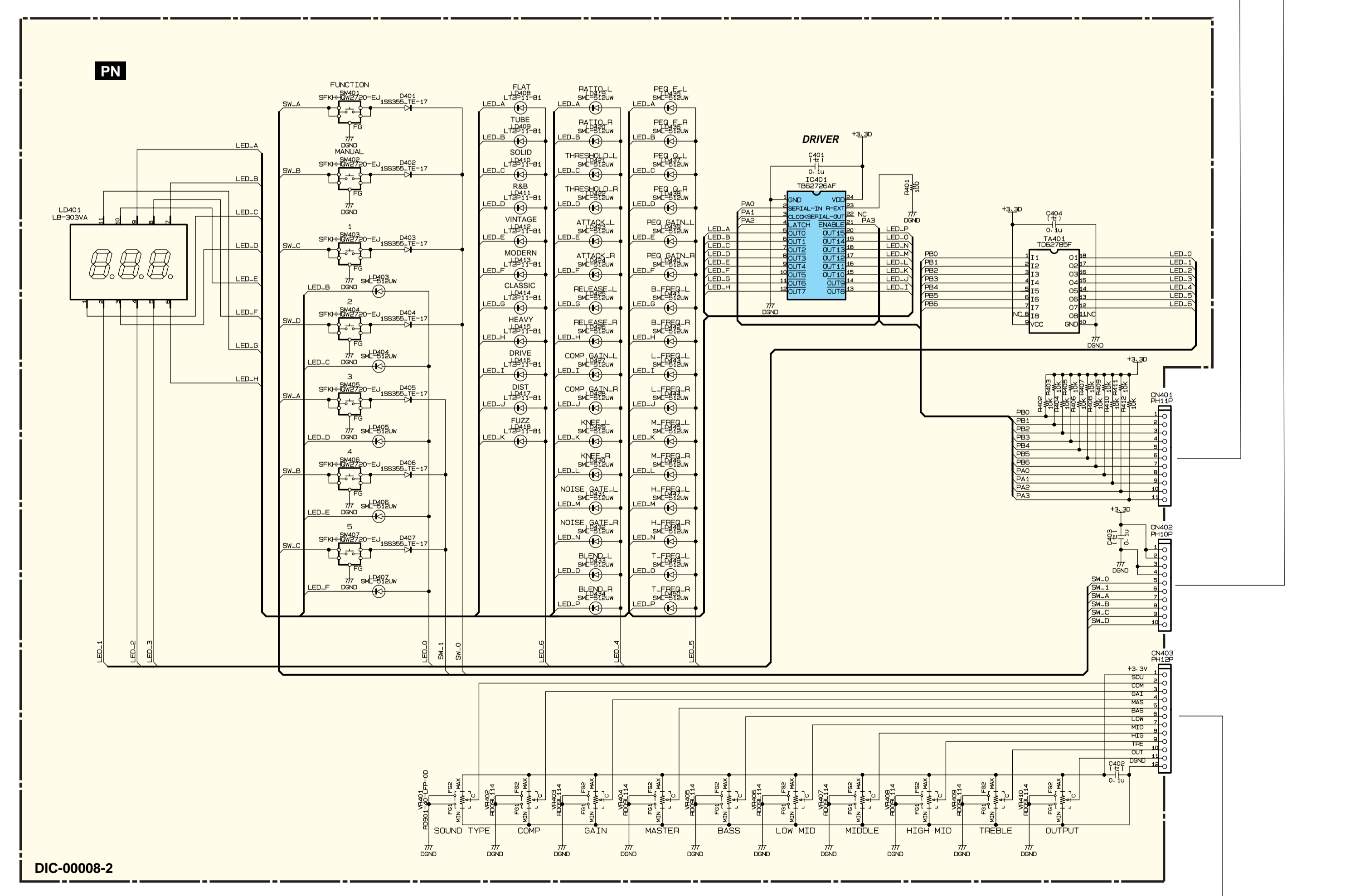
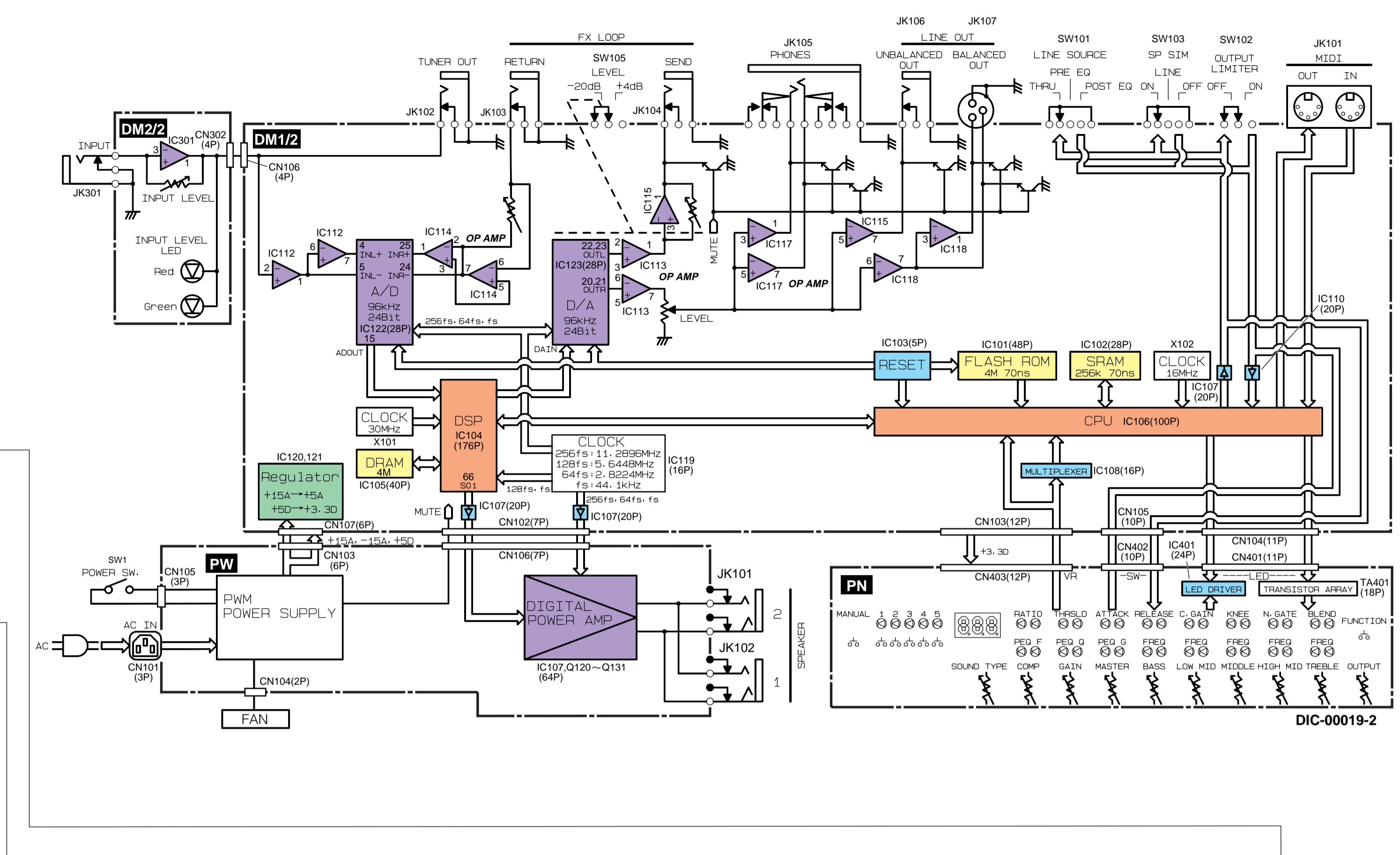
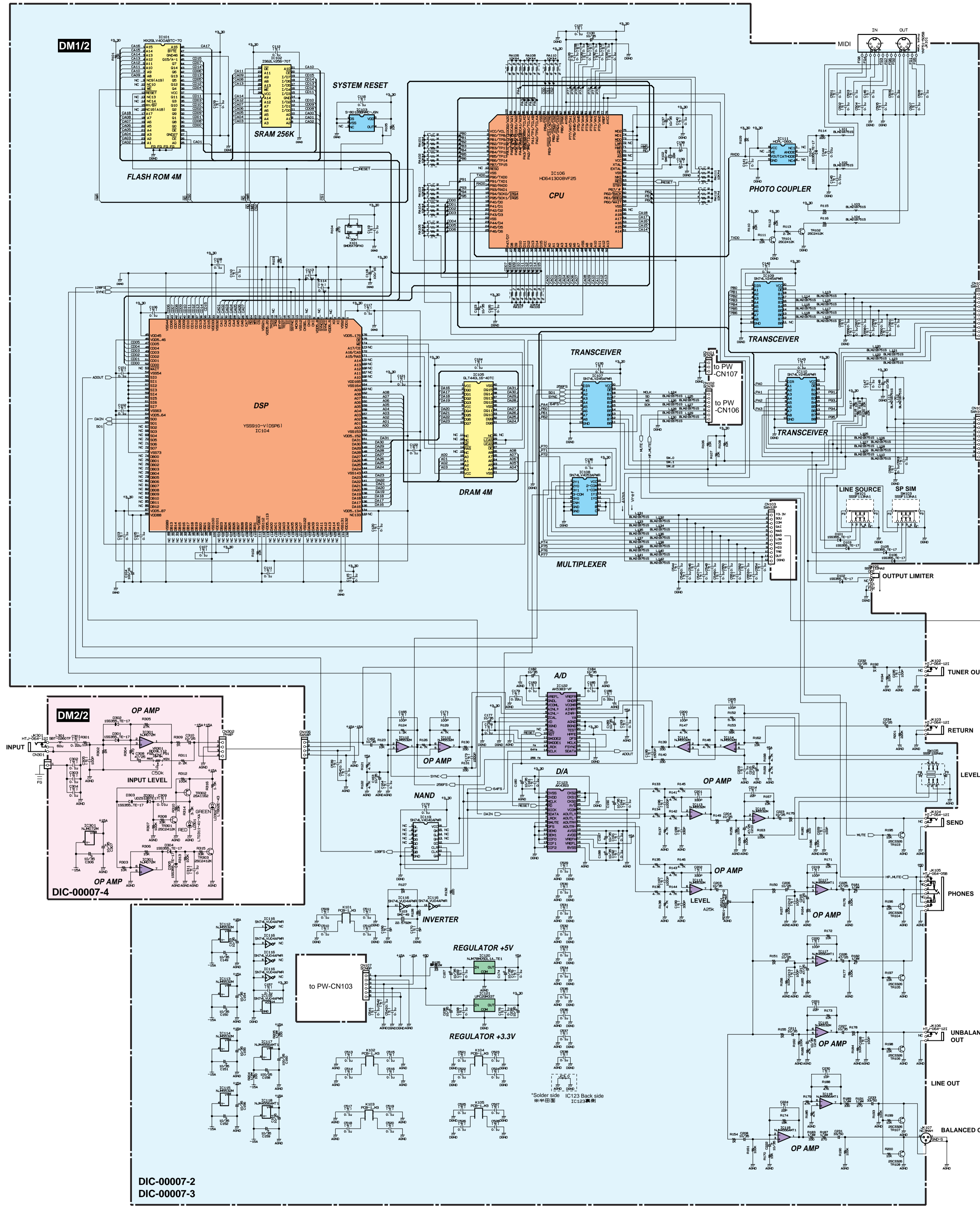
*: New Parts

RANK: Japan only

REF NO.	PART NO.	DESCRIPTION	部 品 名	REMARKS	QTY	RANK
R184	RD357100	Carbon Resistor (chip)	10.0K 63M J RECT.	チ ッ プ 抵 抗		01
R185	RD356330	Carbon Resistor (chip)	3.3K 63M J RECT.	チ ッ プ 抵 抗		01
R186	RD357220	Carbon Resistor (chip)	22.0K 63M J RECT.	チ ッ プ 抵 抗		01
R187	RD154220	Carbon Resistor (chip)	22.0 1/4 J TP	チ ッ プ 抵 抗		01
R188	RD154220	Carbon Resistor (chip)	22.0 1/4 J TP	チ ッ プ 抵 抗		01
R189	RD156150	Carbon Resistor (chip)	1.5K 1/4 J TP	チ ッ プ 抵 抗		01
R190	RD357220	Carbon Resistor (chip)	22.0K 63M J RECT.	チ ッ プ 抵 抗		01
R191	RD355100	Carbon Resistor (chip)	100.0 63M J RECT.	チ ッ プ 抵 抗		01
R192	VC748400	Metal Oxide Film Resistor	2.2K 1W J	酸 化 金 属 被 膜 抵 抗		01
-194	VC748400	Metal Oxide Film Resistor	2.2K 1W J	酸 化 金 属 被 膜 抵 抗		01
R195	RD154150	Carbon Resistor (chip)	15.0 1/4 J TP	チ ッ プ 抵 抗		01
-216	RD154150	Carbon Resistor (chip)	15.0 1/4 J TP	チ ッ プ 抵 抗		01
R217	RD154100	Carbon Resistor (chip)	10.0 1/4 J TP	チ ッ プ 抵 抗		01
R218	RD154100	Carbon Resistor (chip)	10.0 1/4 J TP	チ ッ プ 抵 抗		01
R219	RD154150	Carbon Resistor (chip)	15.0 1/4 J TP	チ ッ プ 抵 抗		01
R220	RD154150	Carbon Resistor (chip)	15.0 1/4 J TP	チ ッ プ 抵 抗		01
⚠ * R221	WE362900	Discharge Resistor	1M 1/2 J	放 電 抵 抗	J,H,B	
⚠ * R221	WE362800	Discharge Resistor	1M 1/2 J	放 電 抵 抗	U	
⚠ * R222	WE362800	Discharge Resistor	1M 1/2 J	放 電 抵 抗	U	
⚠ RY101	VZ003600	Relay	DC OSZ-SS-124DM8	リ レ - 2 4 V		05
⚠ T101	XY592A00	Transformer	DENTORI A PW30	電 源 ト ラ ン ス P W 3 0	J	06
⚠ T101	XY593A00	Transformer	UL PW30	電 源 ト ラ ン ス P W 3 0	U	06
⚠ T101	XY594A00	Transformer	CE A PW30	電 源 ト ラ ン ス P W 3 0	H,B	06
⚠ T102	WC747500	Coil	SC-07-08J-W	コ イ ル	J,H,B	07
⚠ * T102	WE049900	Coil	TSC-07-08J-W	コ イ ル	J,H,B	
⚠ * T102	WE545400	Coil	LT-10617	コ イ ル	U	
⚠ T103	WC747500	Coil	SC-07-08J-W	コ イ ル	J,H,B	07
⚠ * T103	WE049900	Coil	TSC-07-08J-W	コ イ ル	J,H,B	
⚠ * T103	WE545400	Coil	LT-10617	コ イ ル	U	
⚠ * T104	X5087A00	Switching Transformer	A CLASS2	ス イ ッ チ ン グ ト ラ ン ス	J	
⚠ T104	X5088A00	Switching Transformer	UL	ス イ ッ チ ン グ ト ラ ン ス	U	
⚠ * T104	X5089A00	Switching Transformer	CE A CLASS2	ス イ ッ チ ン グ ト ラ ン ス	H,B	
ZD1	VG440200	Zener Diode	MTZ J 12.0B 12.0V	ツ ェ ナ ー ダイ オ ード		01
ZD2	VG440200	Zener Diode	MTZ J 12.0B 12.0V	ツ ェ ナ ー ダイ オ ード		01
⚠ * T106	WD511000	Coil	EI 8.0MH	コ イ ル	J	
⚠ T106	V8291500	Coil	EI 4.4MH	コ イ ル	H,B	07
* T106	WC370300	Fan	2410RL-05W-B50	D C フ ァ ン		
⚠ T106	V2217000	Switch	JW-L11RKK	シ - ソ - S W	POWER	07

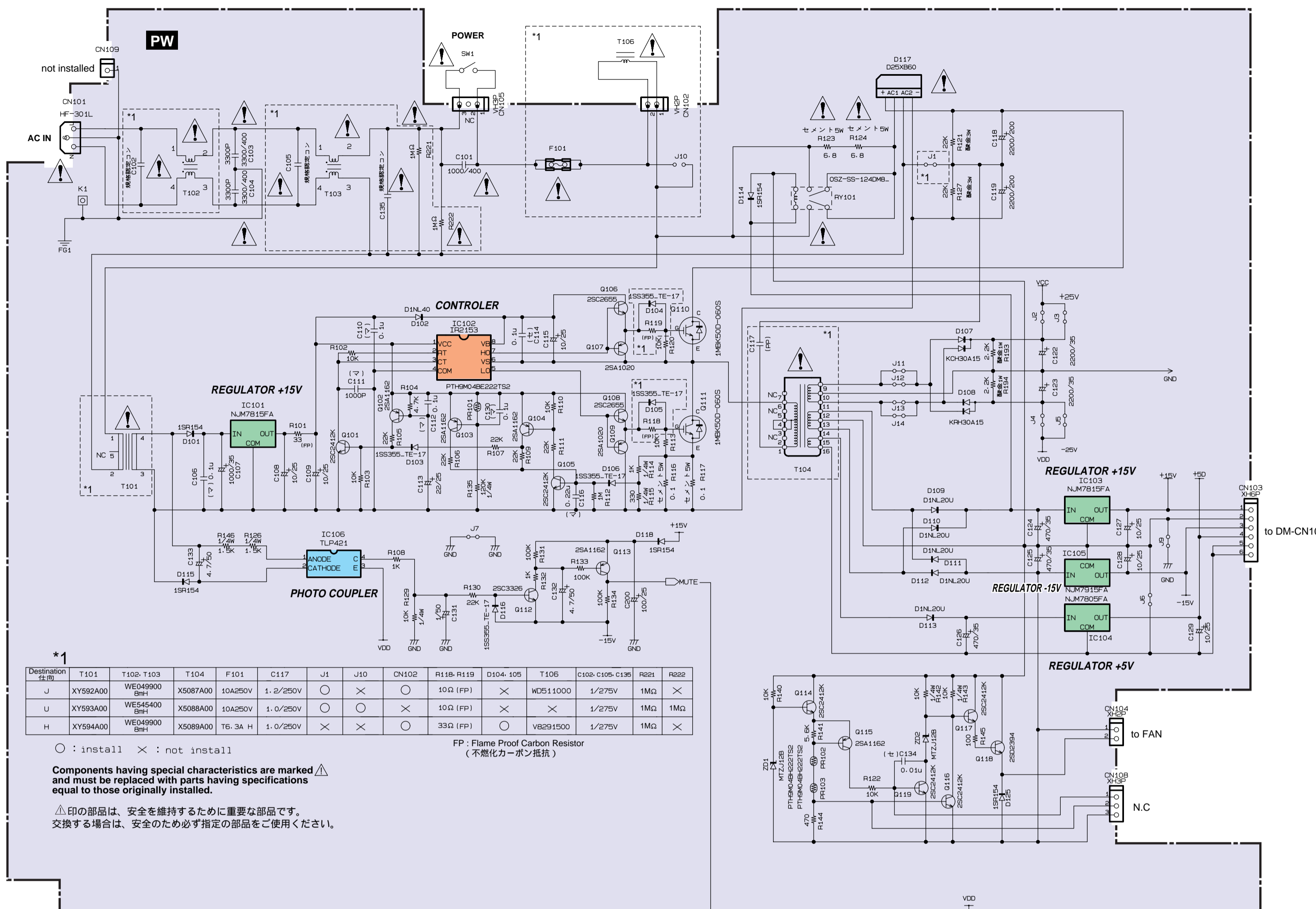
*: New Parts

RANK: Japan only



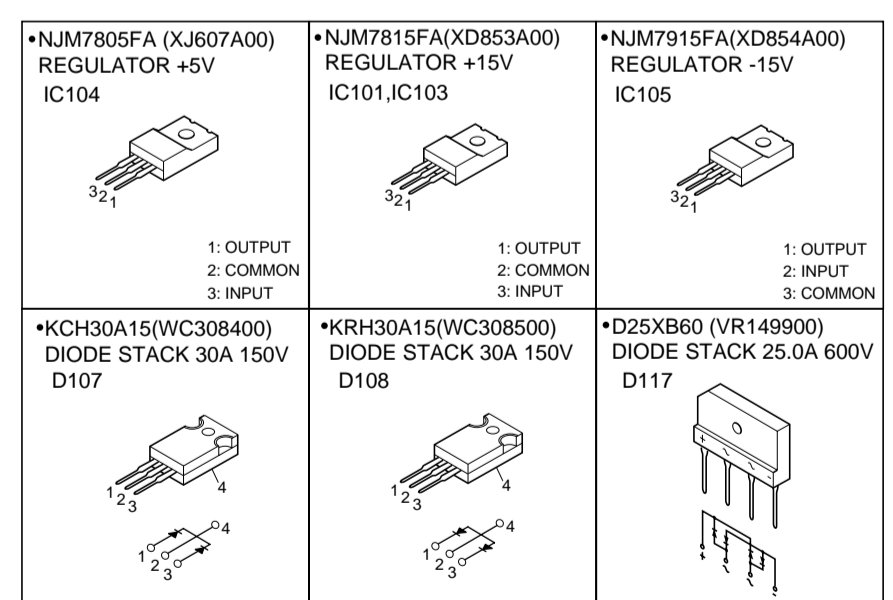
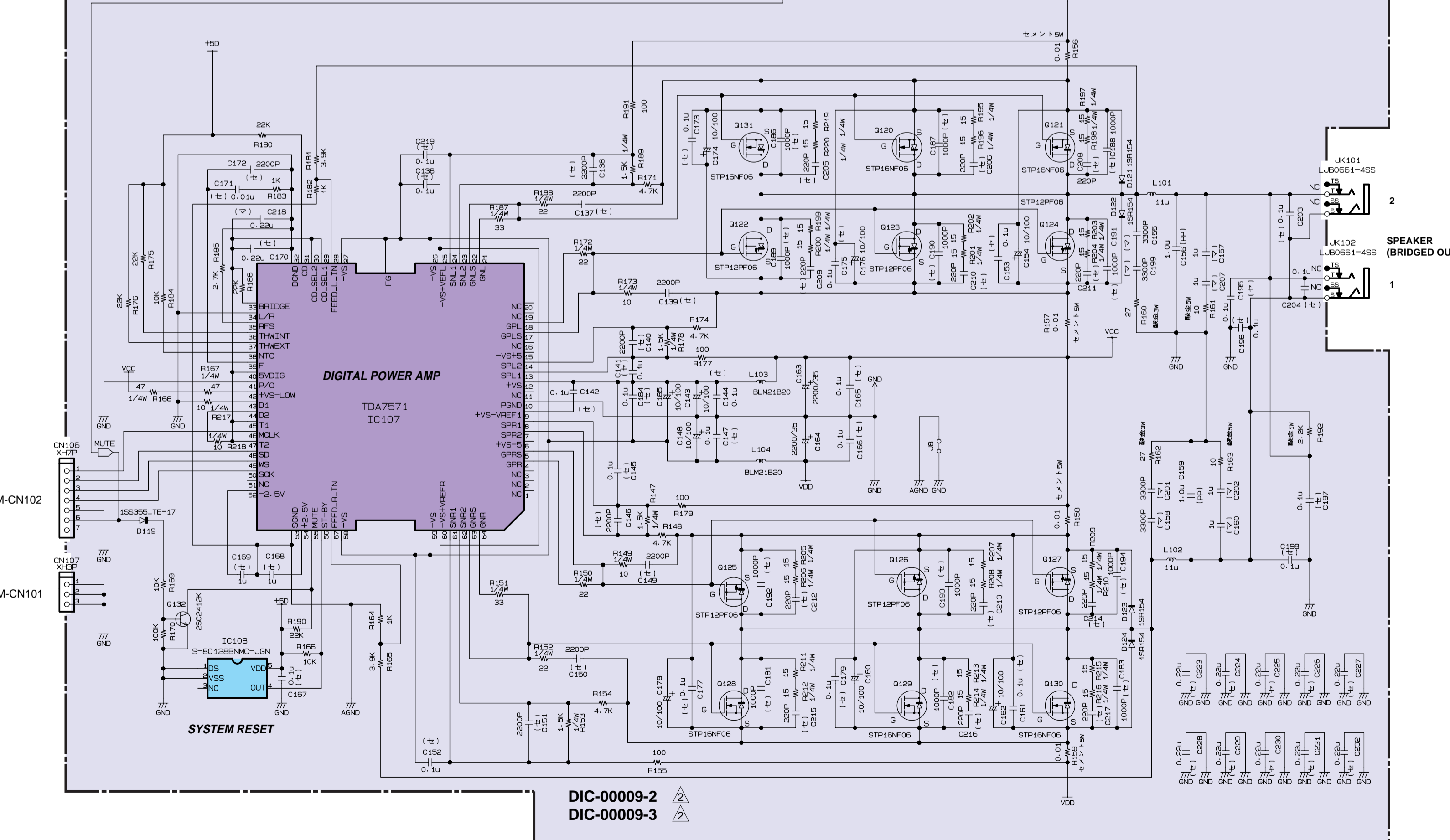
(テ) : Ceramic Capacitor (セラミックコンデンサー)
 酸化金属膜抵抗 (酸化金属膜抵抗)

BBT500H OVERALL CIRCUIT DIAGRAM 2/2 (PW)



Destination (部品)	T101	T102-T103	T104	F101	C117	J1	J10	CN102	R118-R119	D104-D105	T106	C102-C105-C138	R201	R202
U	XY592A00	WE049900 BH1	X5087A00	10A250V	1.0/250V	○	○	○	10Ω (FP)	×	WD511000	1/275V	1MΩ	×
U	XY593A00	WE044400 BH1	X5088A00	10A250V	1.0/250V	○	○	○	10Ω (FP)	×	1000	1/275V	1MΩ	1MΩ
H	XY594A00	WE049900 BH1	X5088A00	16-3A H	1.0/250V	×	×	○	33Ω (FP)	○	VB291500	1/275V	1MΩ	×

○ : install × : not install
 FP : Flame Proof Carbon Resistor (不燃化カーボン抵抗)
 Components having special characteristics are marked △ and must be replaced with parts having specifications equal to those originally installed.
 △印の部品は、安全を維持するために重要な部品です。交換する場合は、安全のため必ず指定の部品をご使用ください。



*Speaker outputs serves as operation by BTL (BRIDGE) connection. Separate the ground of measuring instruments (oscilloscope, volt meter etc) from the ground of a power supply cord.
 *(スピーカー出力はBTL(BRIDGE)動作による出力となっています。測定系(オシロスコープ、電圧計)のGNDは電源コードのGNDと切り離してください。切り離さない状態で測定すると基板Assy上の部品を破壊する場合があります。)

(セ) : Ceramic Capacitor (セラミックコンデンサー)
 (マ) : Mylar Capacitor (マイラーコンデンサー)
 鍍金 : Metal Oxide Film Resistor (酸化金属膜抵抗)
 セメント : Wire Wound Resistor (セメント抵抗)
 規格認定コン : Capacitor (規格認定コン)