

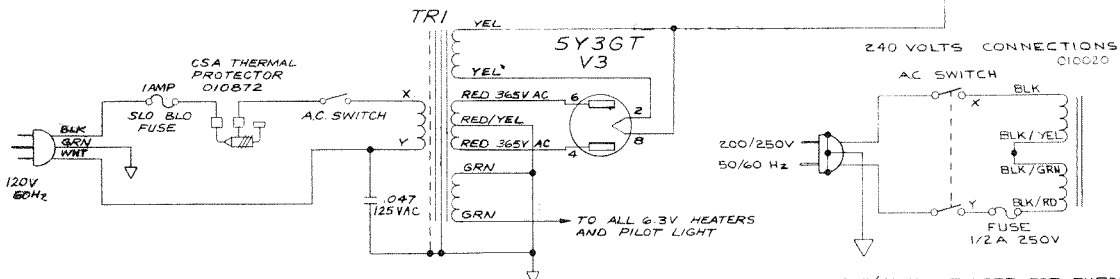
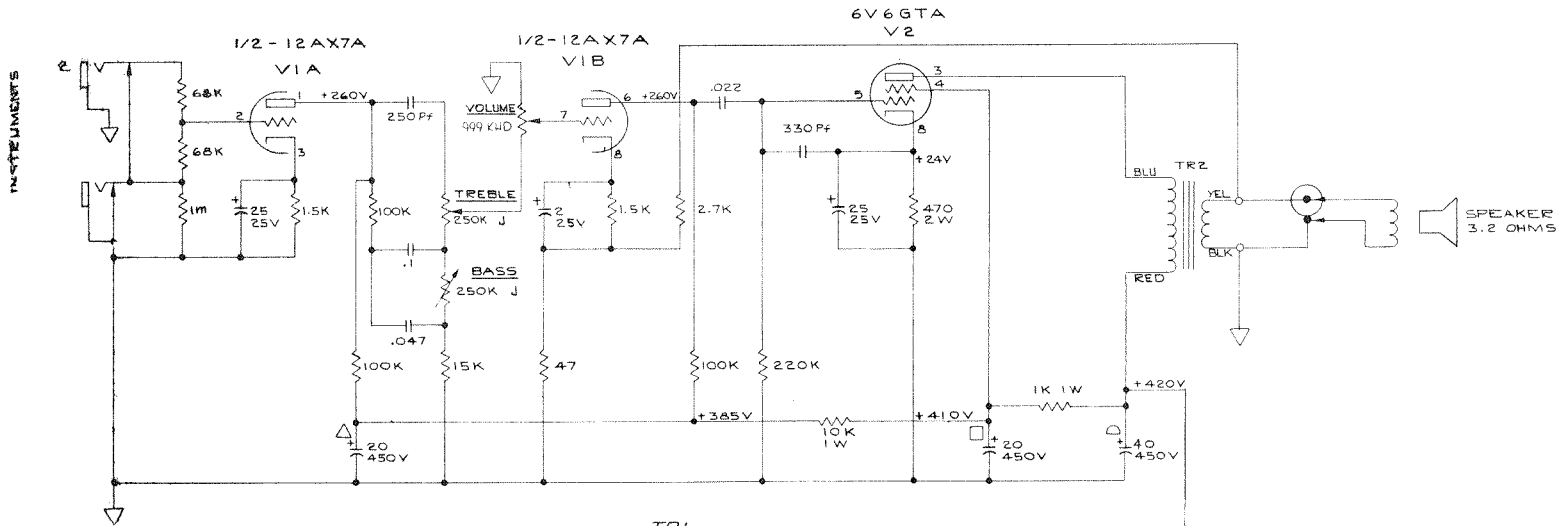
FENDER CHAMP AMPLIFIER

PARTS LIST

023564	6V6GTA Tube	094433	Front Control Plate (Champ)
013341	7025/12AX7A Tube	094417	Front Control Plate (Vibro Champ)
023614	5Y3GT Tube	007565	Power Cord Strain Relief
		022137	Power Cord Screw
022772	Power Transformer	010766	Power Cord
022905	Output Transformer	022491	Power Cord Clamp
023044	8" Fender Speaker	011231	Screw, Back Panel
		016532	Nut, Jacks/Controls
017079	On-Off Switch	016436	Lock Washer, Jacks/Controls
021832	Volume Control	016469	Lock Washer, Fuse Holder
021857	Treble/Base Control	031666	Fuse Holder Nut
021865	Speed Control	021527	Fuseholder
021923	Intensity Control	021725	Fuse Cap
024018	Phono Jack	021667	1 Amp Fuse (Slo-Blo)
068270	Phone Jack (Closed)	043760	Fuseholder Rubber Washer
024000	Phono Plug-Speaker Output	032219	Pilot Light Collar
		021576	Power Receptacle
* 021162	47 Ohm ½ Watt	021741	Pilot Light Holder
021212	1.5K Ohm ½ Watt	021642	Pilot Light Bulb
021238	2.7K Ohm ½ Watt	025718	Pilot Light Jewel
021287	15K Ohm ½ Watt	031625	Pilot Light Collar Nut
021337	68K Ohm ½ Watt	022178	Screw, On-Off Switch
021345	100K Ohm ½ Watt	023580	8 Pin Tube Socket
021360	1 Meg Ohm ½ Watt	023606	9 Pin Tube Socket
021493	220K Ohm ½ Watt	023598	Tube Shield
031062	4.7K Ohm ½ Watt (V. Chp only)	024604	Knob
021352	470K Ohm ½ Watt (V. Chp only)		
021428	10K Ohm 1 Watt	053306	Cabinet, w/Hardware
021519	1K Ohm 1 Watt	035774	Front Grill Panel, w/Cloth
010068	470 Ohm 2 Watt	031195	Lower Rear Panel
		031203	Upper Rear Panel
021097	20 Mfd x 450V (Chp. only)	011231	Back Panel Screw
021113	2 Mfd x 25V (Chp. only)	025163	Black-Vinyl Covering (Req. 1 Yd)
001972	.047 Mfd x 600V	022491	Power Cord Clamp
004513	.022 Mfd x 600V	022137	Clamp Screw
008159	.1 Mfd x 600V	025403	Handle
009512	25 Mfd x 25V	025395	Handle Cap
020867	.00033 Mfd x 1KV	022244	Handle Screw
020917	.00025 Mfd x 1 KV	021972	Handle Tee Nut
021063	40-20-20 Mfd x 450V (V. Chp)	024679	Chassis Strap
021105	10 Mfd x 25V (V. Chp)	022236	Chassis Strap Screw
004059	.01 Mfd x 1KV (V. Chp)	022004	Chassis Strap Nut
012754	.047 Mfd x 600V (V. Chp)	022418	Glide Assembly
		008142	Grill Cloth

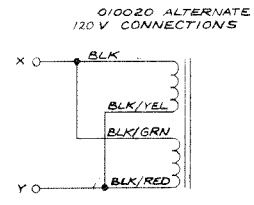
*Resistors 10% unless otherwise specified.

Export Power Transformer same as Domestic Model



TR1 - 010020	120/240 V
TR1 - 022772	125P1B
TR2 - 022905	125A35A

.047/125VAC NOT USED FOR EXPORT



010020 ALTERNATE 120 V CONNECTIONS

* WIRE USED IN SOME VERSIONS.
 ** ALL CAPACITORS ARE IN UF 600 V
 *** RESISTORS ARE ±10% 1/2 W
 **** VOLTAGES READ TO GROUND WITH ELECTRONIC VOLTMETER
 ***** DIMENSIONS SHOWN ± .20%
 # ALL DIMENSIONS AND PARTS MUST BE APPROVED BY CBS ENGINEERING BEFORE STARTING PRODUCTION.
 DIMENSIONS UNLESS OTHERWISE SPECIFIED.

UNLESS OTHERWISE SPECIFIED		DWN	ID.	W/IGL	DATE	CBS MUSICAL INSTRUMENTS FULLERTON, CALIFORNIA
TOLERANCES		CHK			1/26/72	
FRACTIONS	±.32					SCHEMATIC CHAMP - AMP (DOMESTIC & EXPORT)
X	±.015					
XX	±.010	APPD			2/2/72	REL. NO. SIZE DWG. NO.
XXX	±.005	APPD			2/11/72	D 04393
ANGLES	±.1°	EE				SCALE MODEL
FRACTIONAL WOOD	±.18	MATERIALS				
HOLES - CORED	±.005					
HOLES - DRILLED & FINISHED	±.003					
HOLES - DRILLED & REAMER	±.003					
STRAIGHTNESS	±.003					
UNMARKED ANGLES ARE 90°						
ALL DIMENSIONS ARE IN INCHES						
NEXT ASSY USED ONLY						
DO NOT SCALE DRAWING						