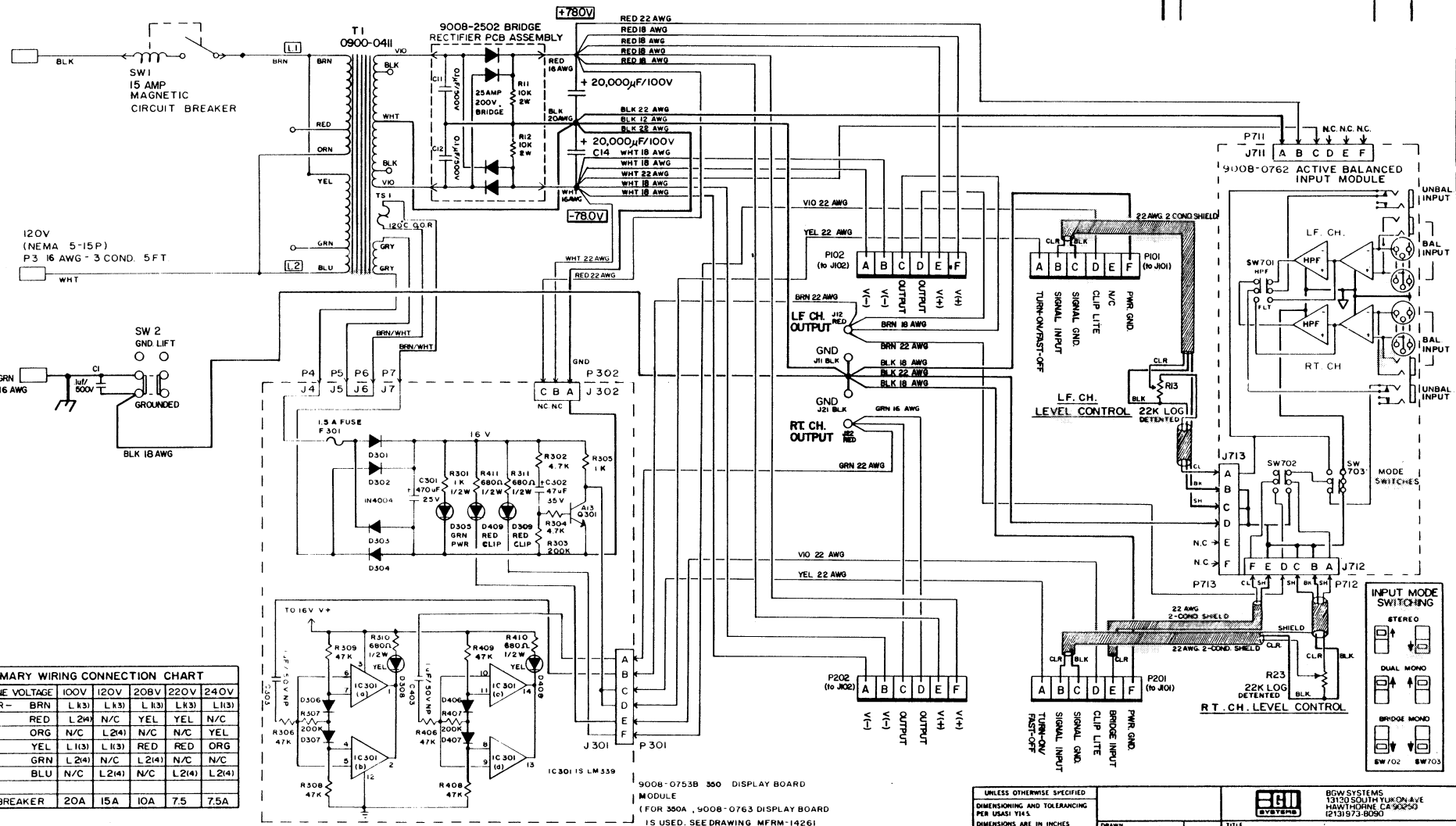


TR	DESCRIPTION	REVISIONS	DATE	APPROVED



AC LINE VOLTAGE	100V	120V	208V	220V	240V
XFMR -	BRN L(k3)	L(k3)	L(k3)	L(k3)	L(k3)
	RED L(2W)	N/C	YEL L(k3)	YEL L(k3)	N/C
	ORG N/C	L(2W)	N/C	N/C	YEL L(k3)
	YEL L(k3)	L(k3)	RED L(k3)	RED L(k3)	ORG N/C
	GRN L(2W)	N/C	L(2W)	N/C	N/C
	BLU N/C	L(2W)	N/C	L(2W)	L(2W)

- FOR ACTIVE BALANCED INPUT MODULE DETAILS, REFER TO SCHEMATIC 900B-0762
- REFER TO PARTS LIST
- T1 IS INTERNAL THERMAL SWITCH IN POWER TRANSFORMER T1
- SW 1, J11, J12, J21, J22 ARE 5-WAY BINDING POSTS.
- BW1, R13, R23 ARE FRONT PANEL CONTROLS. SW701, SW702, SW703 ON REAR PANEL.
- ALL CAPACITORS IN µF WORKING VOLTS
- ON 900B-0762 PCB, ALL RESISTORS 1/4 W 5% CARBON FILM UNLESS NOTED OTHERWISE

NOTES: UNLESS OTHERWISE SPECIFIED

900B-0753B 350 DISPLAY BOARD MODULE
 (FOR 350A, 900B-0763 DISPLAY BOARD IS USED. SEE DRAWING MFRM-14261 FOR DETAILS)

UNLESS OTHERWISE SPECIFIED
 DIMENSIONS AND TOLERANCING PER USAS Y14.5
 DIMENSIONS ARE IN INCHES AND APPLY AFTER PLATING.
 TOLERANCE ON DECIMALS .00 = ± .01 .005 = ± .008
 TOLERANCE ON ANGLES = ± 0° 30'
 BREAK SHARP EDGES .010 MAX.
 SURFACE ROUGHNESS 125

DRAWN: E. Miller
 CHECK: S. J. Solberg
 PROJECT ENG: S. J. Solberg
 DATE: 11-77
 DATE: 12-77
 DATE: 8-2-82

BUS SYSTEMS
 BUS SYSTEMS
 12120 SOUTH YUKON AVE
 HAWTHORNE, CA 90250
 (213) 973-8090

TITLE: CHASSIS WIRING SCHEMATIC
 MODEL: 350 / A

SIZE: D
 DRAWING NUMBER: 9600-3503
 REV: A

DO NOT SCALE DRAWING