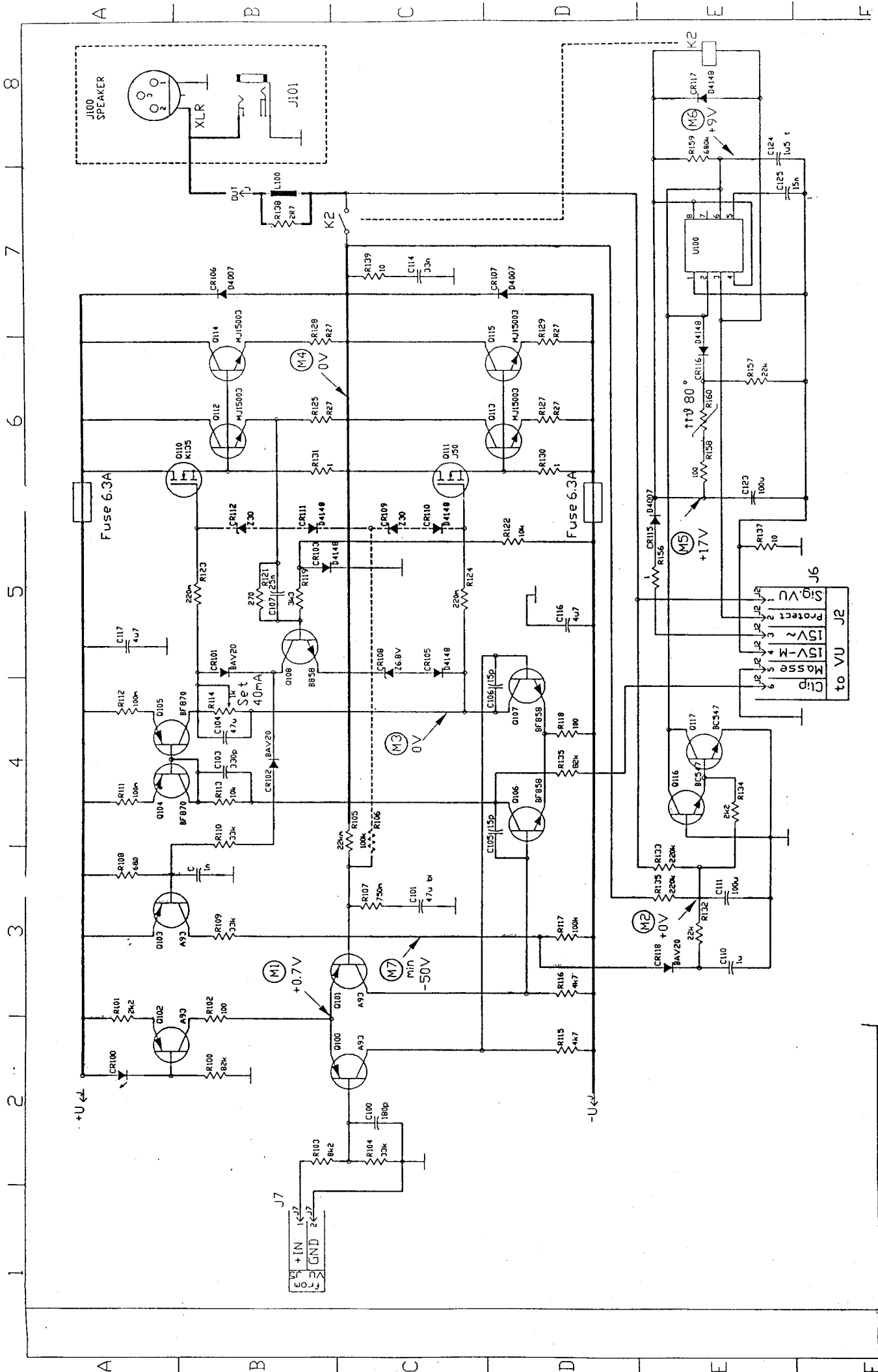


UST1: 0V/-10.2V
UST2: -11.6V/0V



2	
1	POWER BLOCK
Nr. Edition	Device

