



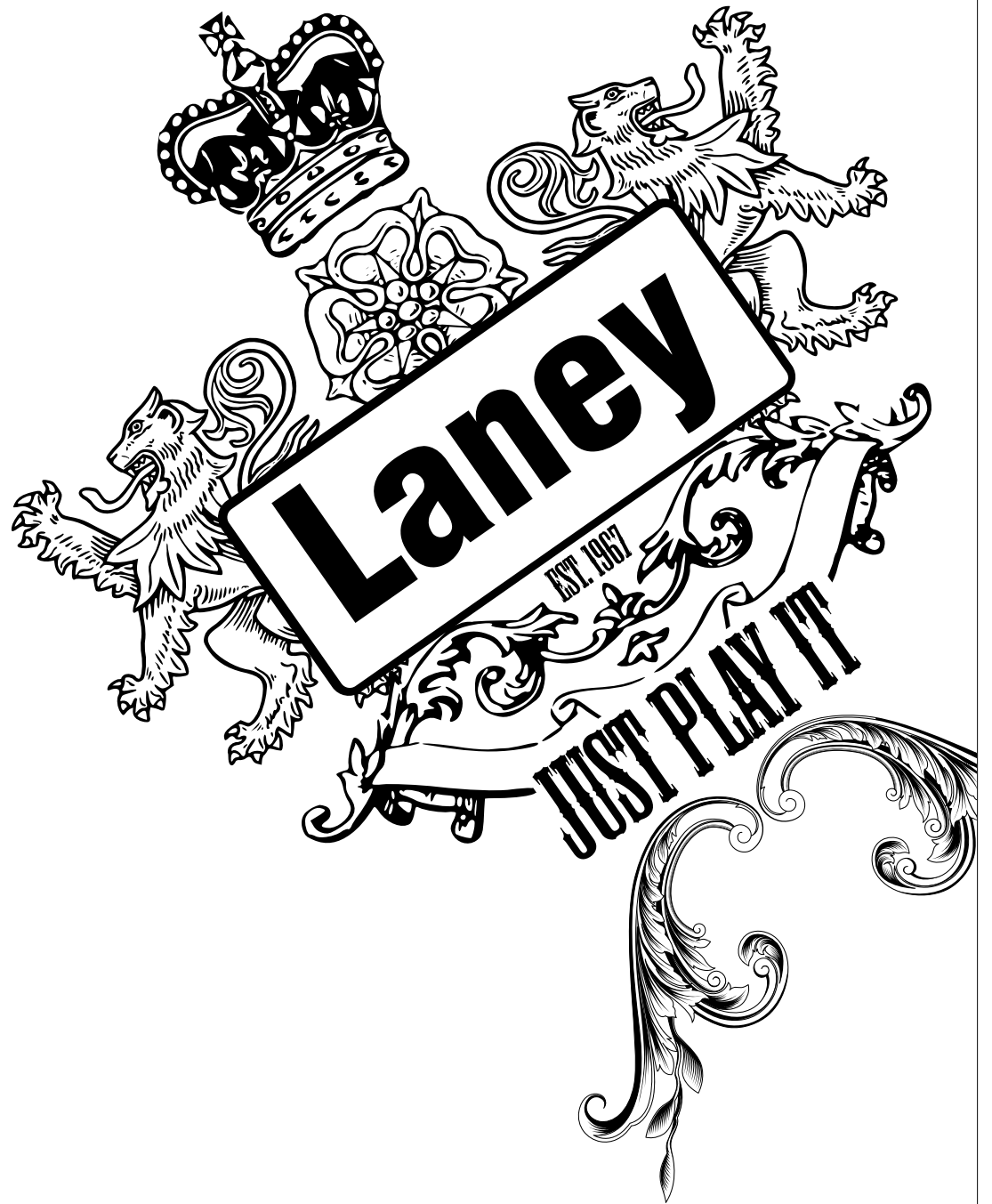
AH210

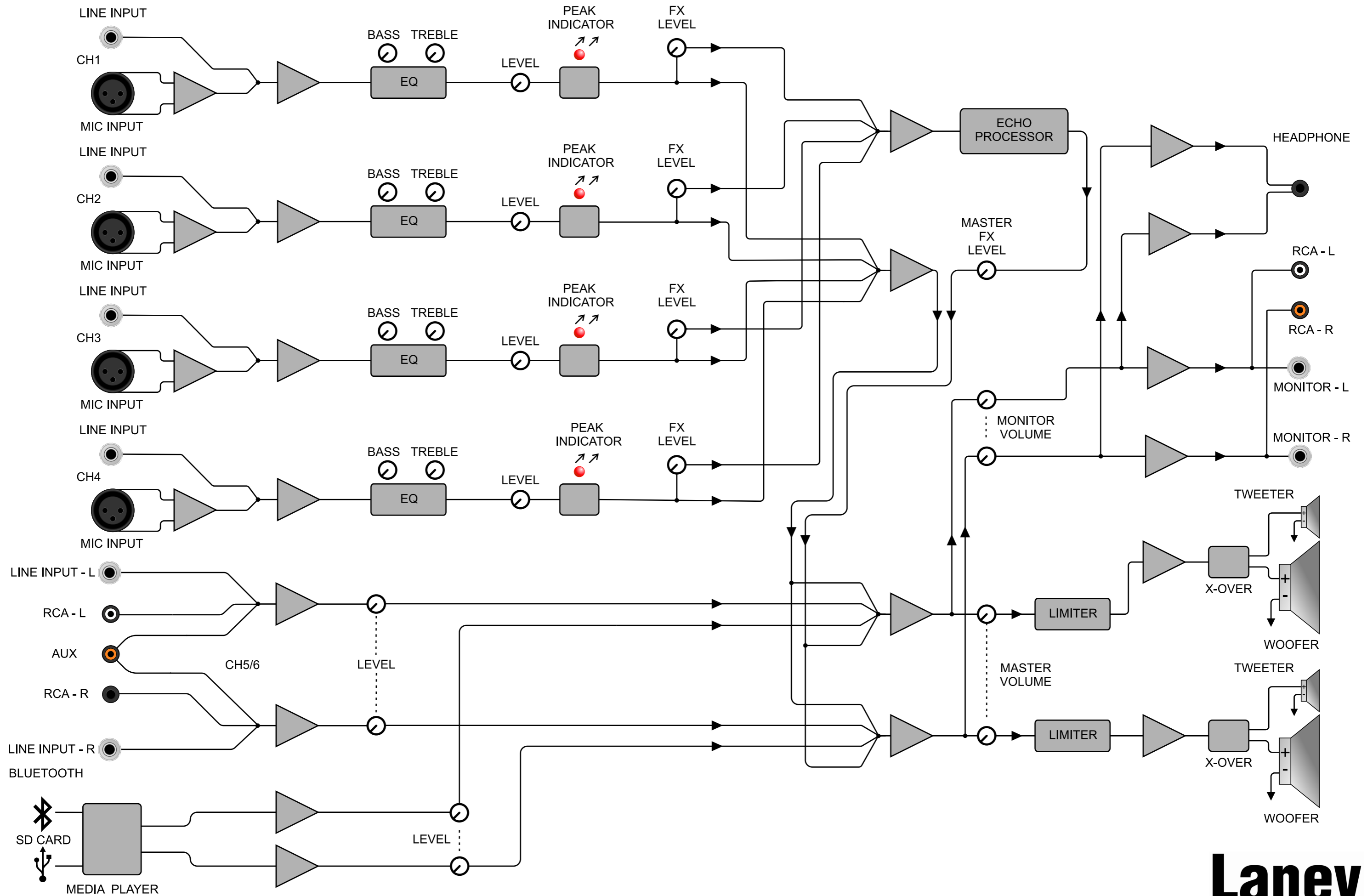
Service Information

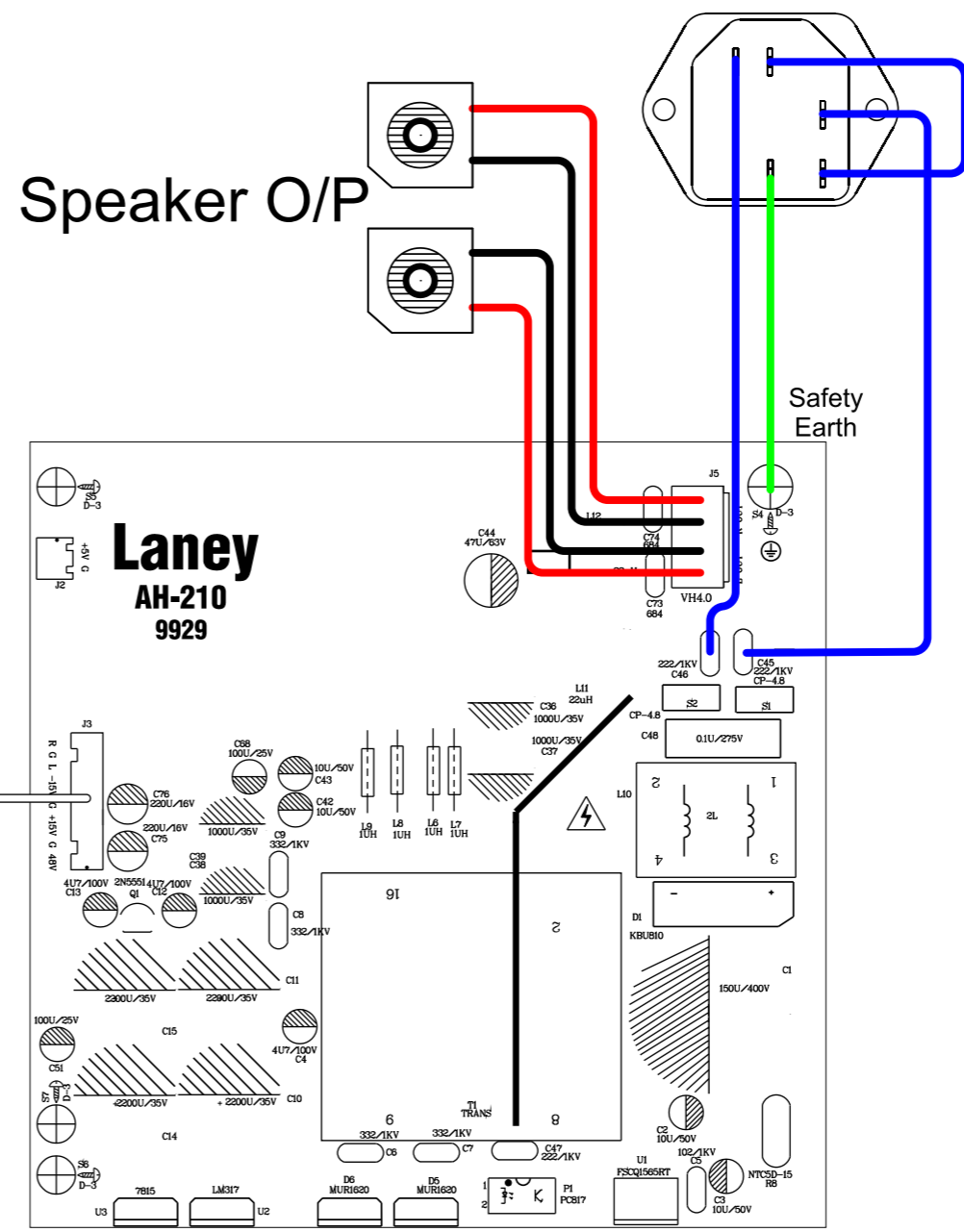
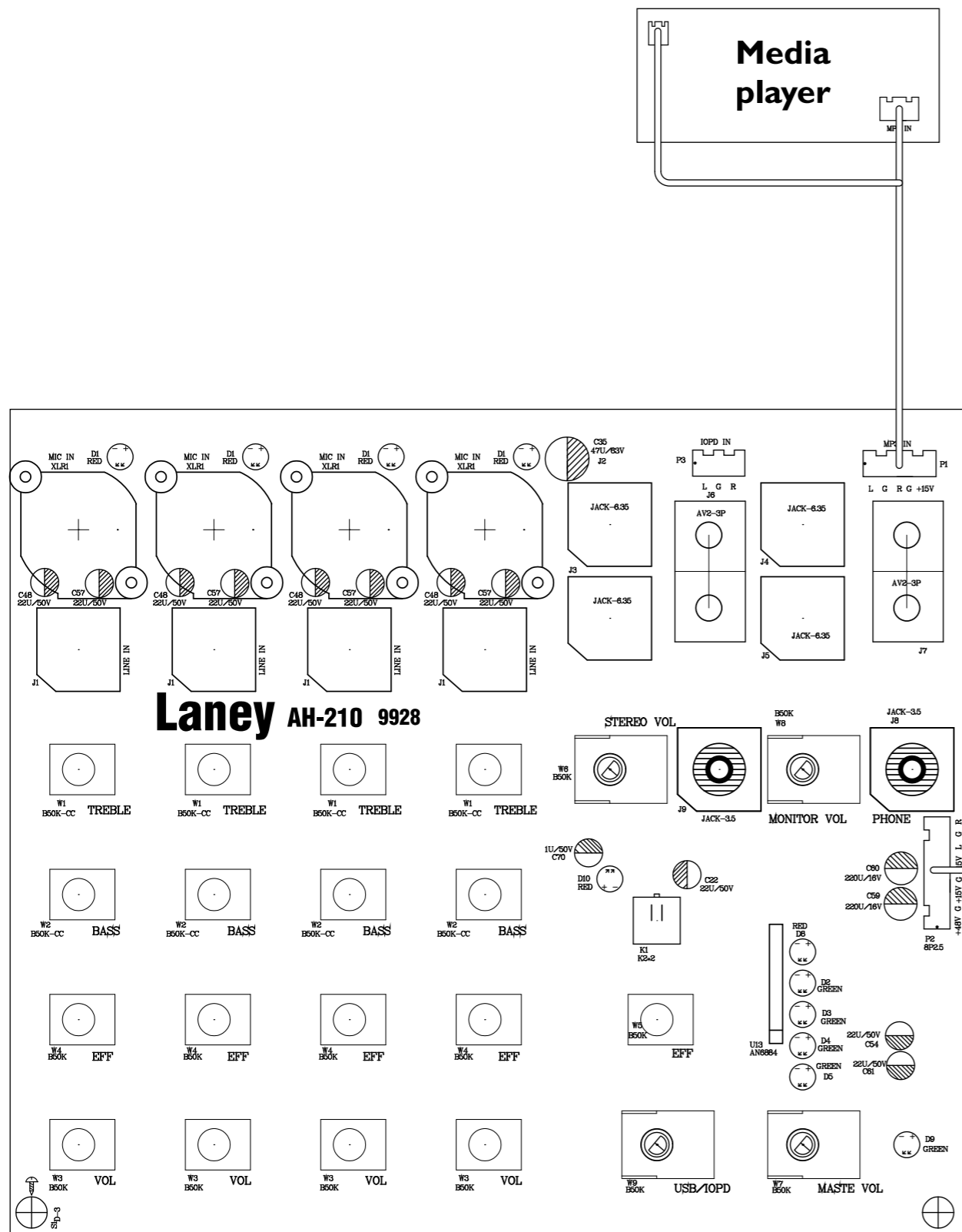
www.laney.co.uk

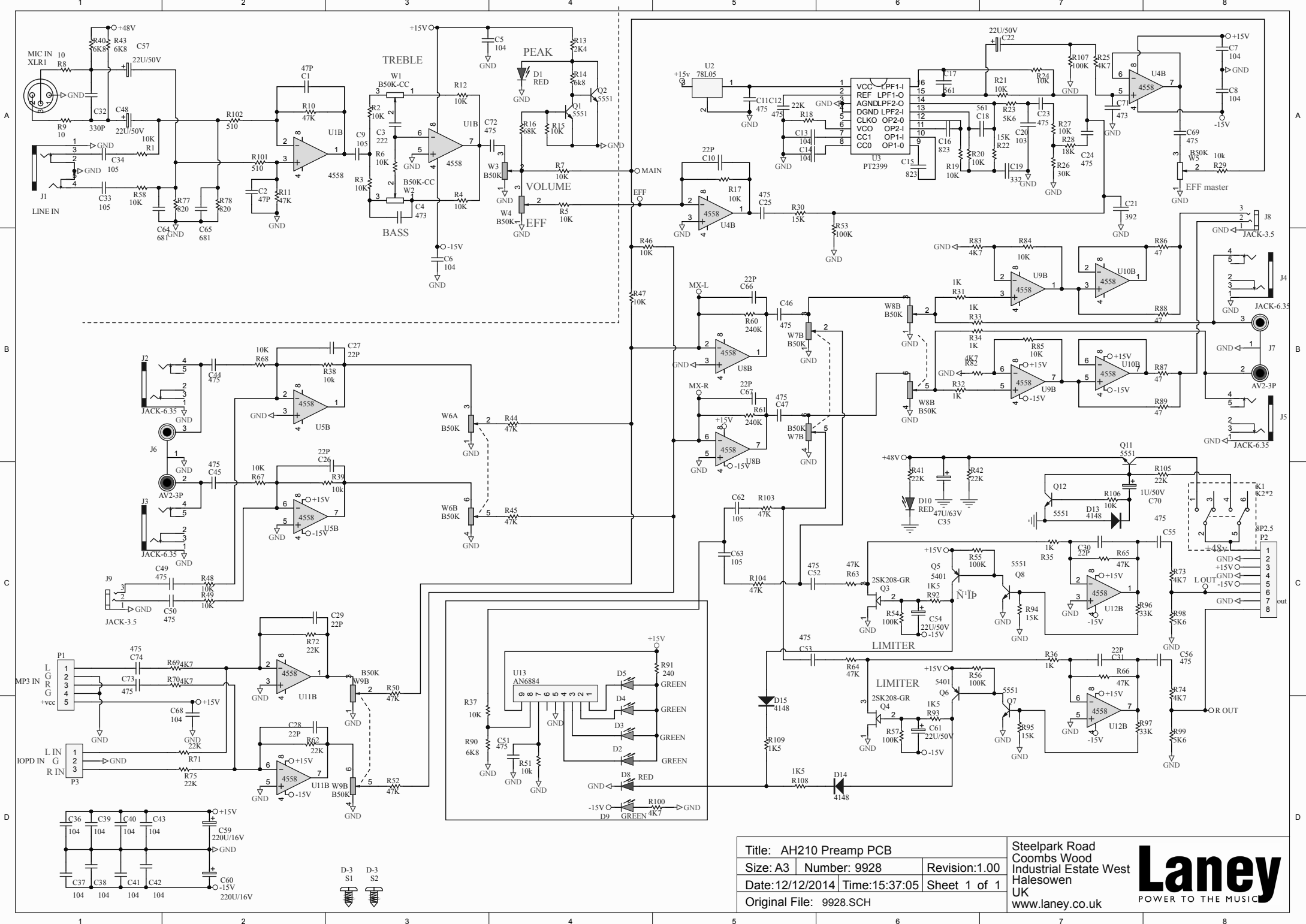


British Engineering from the
Black Country United Kingdom





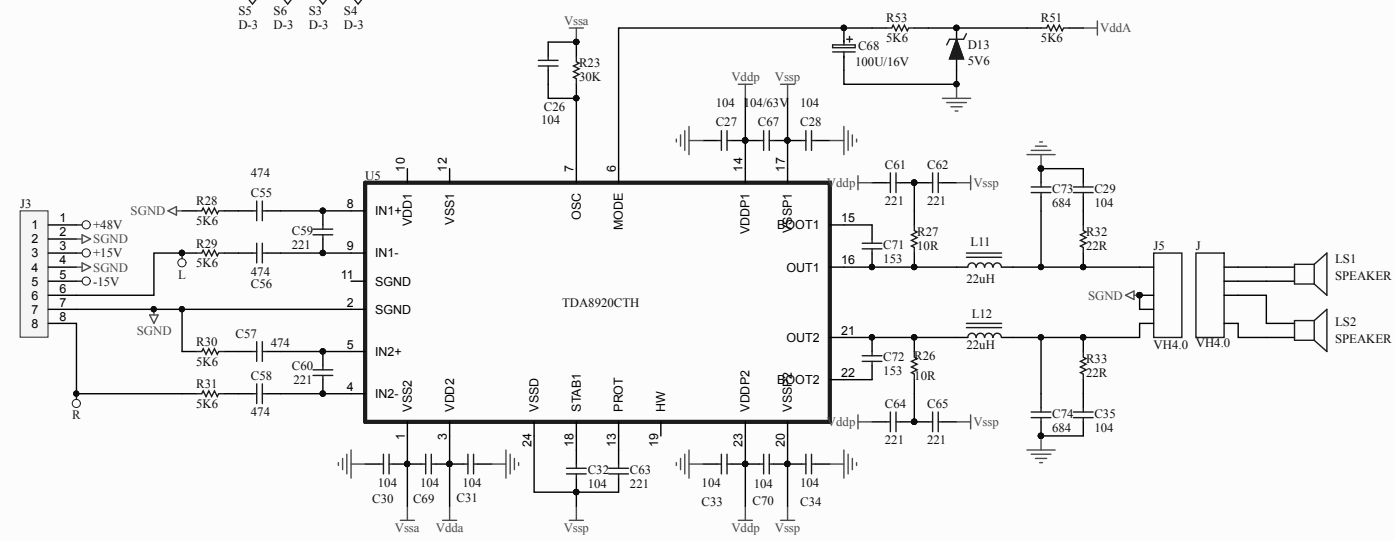
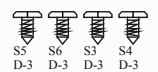
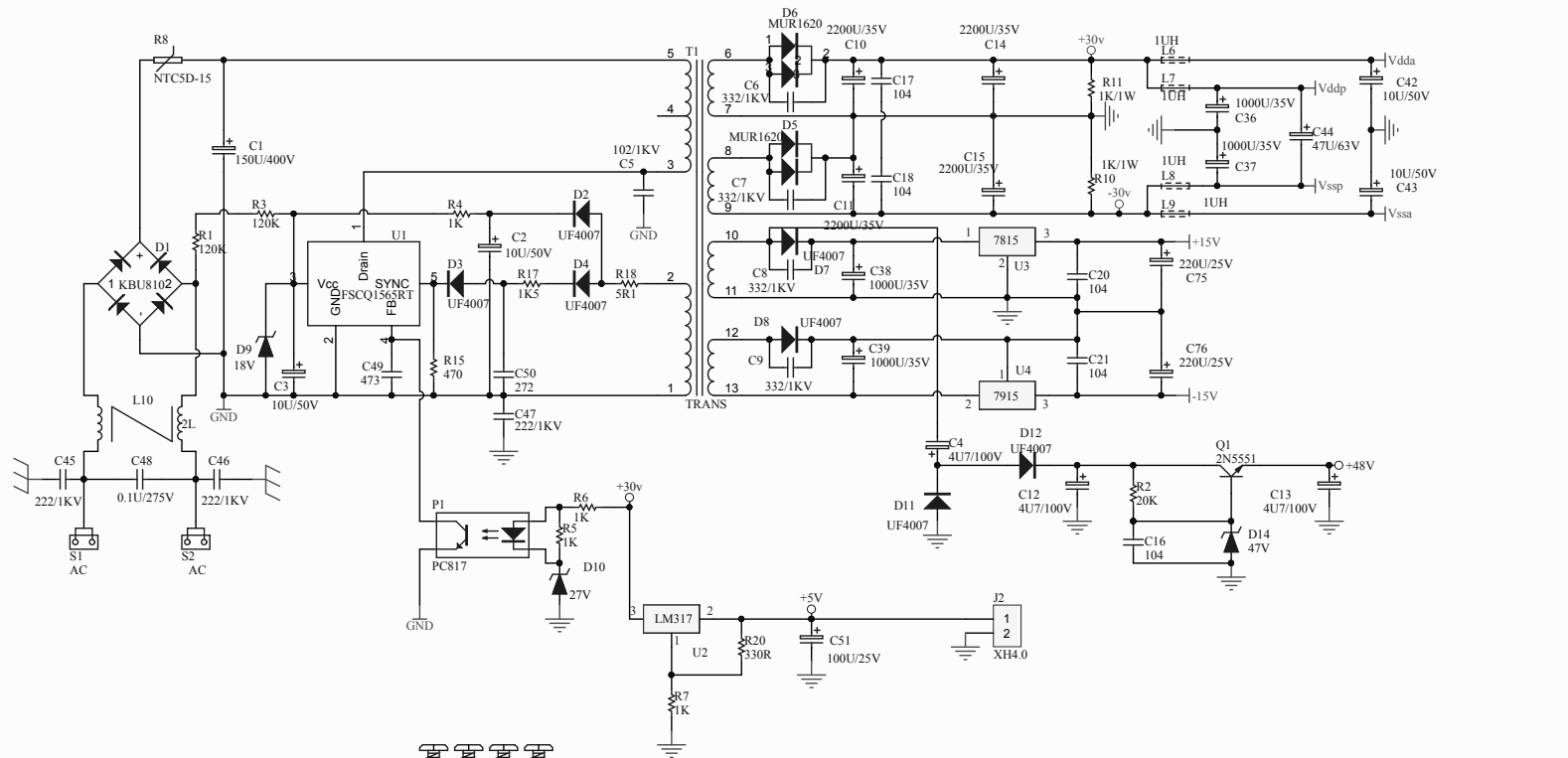




Title: AH210 Preamp PCB
 Size: A3 Number: 9928 Revision: 1.00
 Date: 12/12/2014 Time: 15:37:05 Sheet 1 of 1
 Original File: 9928.SCH

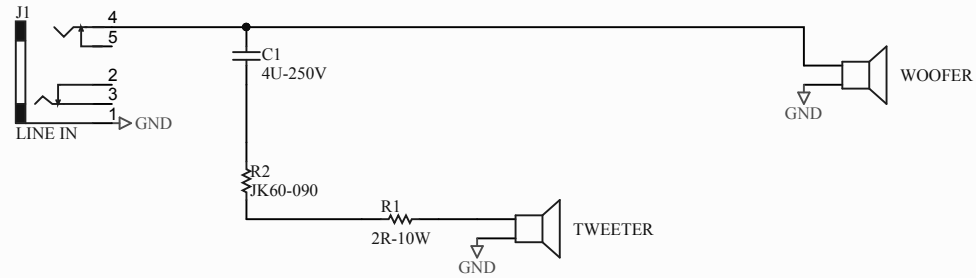
Steelpark Road
 Coombs Wood
 Industrial Estate West
 Halesowen
 UK
 www.laney.co.uk

Laney
 POWER TO THE MUSIC



| | | | |
|----------------------------|----------------|----------------|--|
| Title: AH210 Power Amp PCB | | | Steelpark Road Coombs Wood Industrial Estate West Halesowen UK www.laney.co.uk |
| Size: A3 | Number: 9929 | Revision: 1.00 | |
| Date: 12/12/2014 | Time: 16:00:34 | Sheet 1 of 1 | |
| Original File: 9929.Sch | | | |





CONFIDENTIAL

| | | |
|--------------------------|----------------|----------------|
| Title: AH210 speaker PCB | | |
| Size: A3 | Number: 9930 | Revision: 1.00 |
| Date: 12/12/2014 | Time: 16:15:47 | Sheet 1 of 1 |
| Original File: 9930.SCH | | |

Steelpark Road
 Coombs Wood
 Industrial Estate West
 Halesowen
 UK
www.laney.co.uk

Laney
 POWER TO THE MUSIC

Model No.
AH210 (2015)

| SPARES ITEM | | DESCRIPTION | PART No. |
|-------------------|----|--|----------|
| Carton | 1 | Colour carton | 008594 |
| Laney Badge | 1 | Laney Badge (Plastic) (Standard Font) 62mm | 007939 |
| Mains transformer | 1 | Toroidal Mains Transformer | 006287 |
| Mains socket | 1 | IEC Mains Inlet Fused with Power Switch | 007923 |
| Speakers | 2 | 10" Woofer - 4 Ohm | 007935 |
| | 2 | 1" Compresion Driver 8 Ohm | 007938 |
| PCB's | 1 | 9928 - Preamp PCB | 007929 |
| | 1 | 9929 - Power Amp PCB | 007930 |
| | 2 | 9930 - Speaker PCB | 007931 |
| | 1 | Media Player Assembly | 007933 |
| Knobs | 21 | 13.5mm Black body / grey stripe control knob | 007920 |
| Switch cap | 1 | Phantom power | 007940 |
| MIC | 1 | Balanced XLR MIC | 8621 |