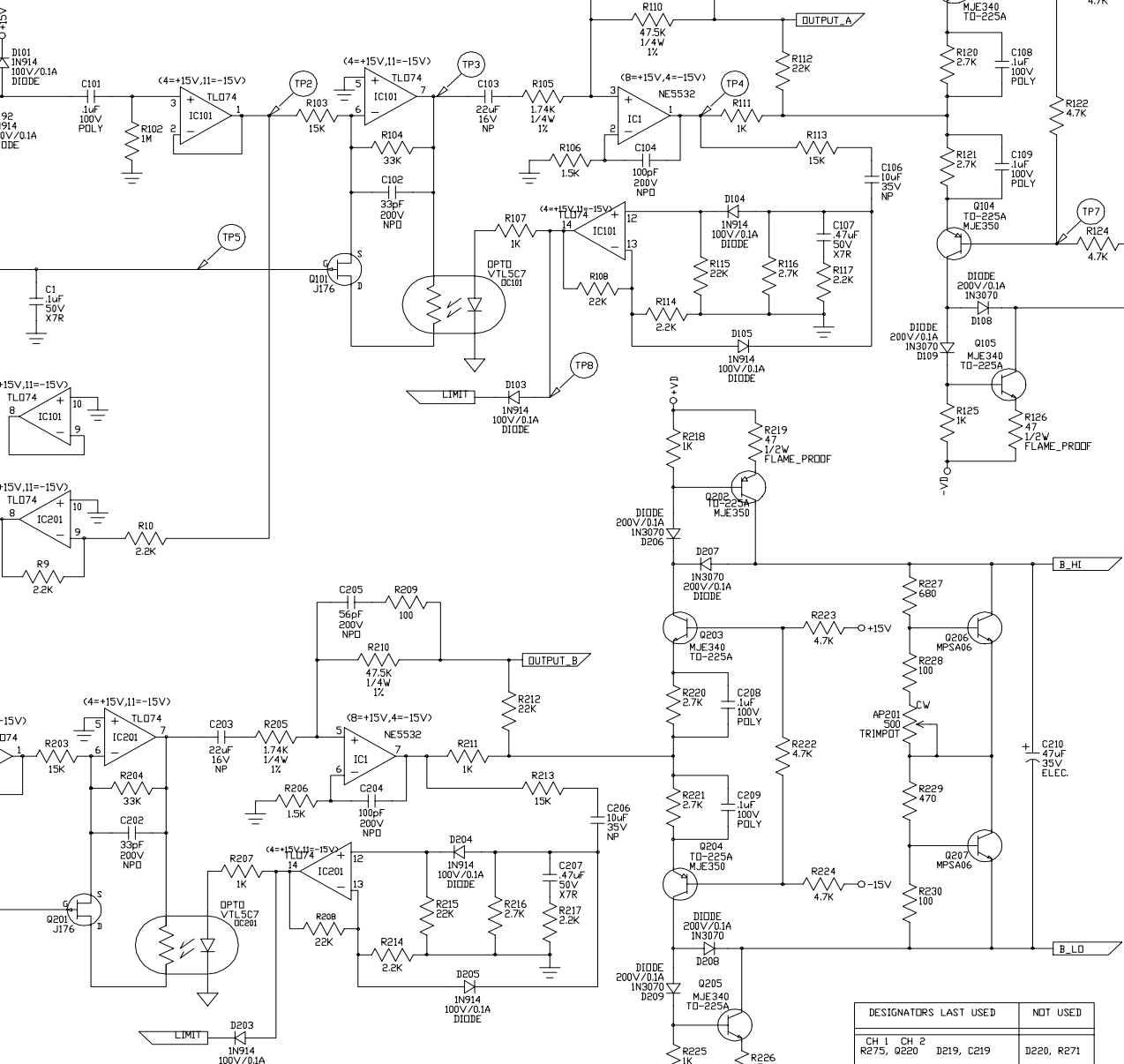


T.P.	NO SIGNAL	40VRMS OUT @ 8 OHMS	LIMITING @ 8 OHMS	AS NOTED	WAVEFORM
1		0.68Vrms	0.79Vrms		~
2		0.68Vrms	0.79Vrms		~
3	+/-20mVdc	1.5V			~
4	+/-1Vdc	2.6Vdc	2.6Vdc		AS SHOWN PER COLUMN
5	+7mVdc	1.9mV	2.7mV		~
6	+5Vdc	+4.82Vdc	+4.82Vdc		~
7	-5Vdc	-5.12Vdc	-5.12Vdc		~
8	0V	+43.6mVdc	+74mVdc		~




BIAS ADJUSTMENT: WITH NO SIGNAL AND NO LOAD
 ADJUST AP101 TO OBTAIN AN AVERAGE OF 25 ± 5mV ACROSS R139, 140, R146, 147, 152, 153, 158, 159, 164, 165.
 ADJUST AP201 TO OBTAIN AN AVERAGE OF 25 ± 5mV ACROSS R239, 240, R246, 247, 252, 253, 258, 259, 264, 265.

- NOTES**
- CAUTION: SHOCK HAZARD!! THIS UNIT CONTAINS HAZARDOUS VOLTAGE. DISCONNECT POWER AND BE SURE POWER SUPPLY IS DISCHARGED BEFORE TOUCHING INTERNAL PARTS.
 - UNLESS NOTED, RESISTOR VALUES IN OHMS, 1/4W-5% TOL. CAPACITOR VALUES IN MICROFARADS, 50V-10% TOL.
 - VOLTAGES ARE MEASURED WITH 1 MEGOHM OSCILLOSCOPE AND 10 MEGOHM DIGITAL VOLTMETER.
 - CHASSIS GROUND --- SIGNAL GROUND --- CIRCUIT GROUND ---

CAUTION: THIS SCHEMATIC IS PROVIDED FOR USE BY QUALIFIED PERSONNEL. TO AVOID RISK OF ELECTRICAL SHOCK, REFER SERVICING TO QUALIFIED SERVICE PERSONNEL. DO NOT PERFORM ANY SERVICING BEYOND THAT IN THE OPERATING INSTRUCTIONS.

DESIGNATORS LAST USED	NOT USED
CH 1, CH 2, R275, Q220	D219, C219, D220, R271
IC5, R36, D28, C40	J31, J32, C36, R26, D5-7, D17

THIS DRAWING REPRESENTS ASSY 07-428-01 & -02
 THIS DRAWING SUPERCEDES 07S428-01

REV:	DATE:	DESCRIPTION:	ECR/ECN NO:	CHNG'D BY:	APPR'D BY:	DATE:
0	9/29/99	CONTROL ISSUE			REM	
THE INFORMATION CONTAINED ON THIS DRAWING IS PROPRIETARY TO ST. LOUIS MUSIC, INC.						
SIGNATURES:		DATE:				
DRAWN: REM		9-26-96		FIRST USED ON:		
CHK'D:				SVT-4 PRO		
RLS'D:				DRAWING TITLE:		
DRAWING TYPE:				PWR AMP SCH		
CLASS CODE:				DRAWING NO:		
SCALE: NONE		SHEET: 1 OF 3		07S428-XX		

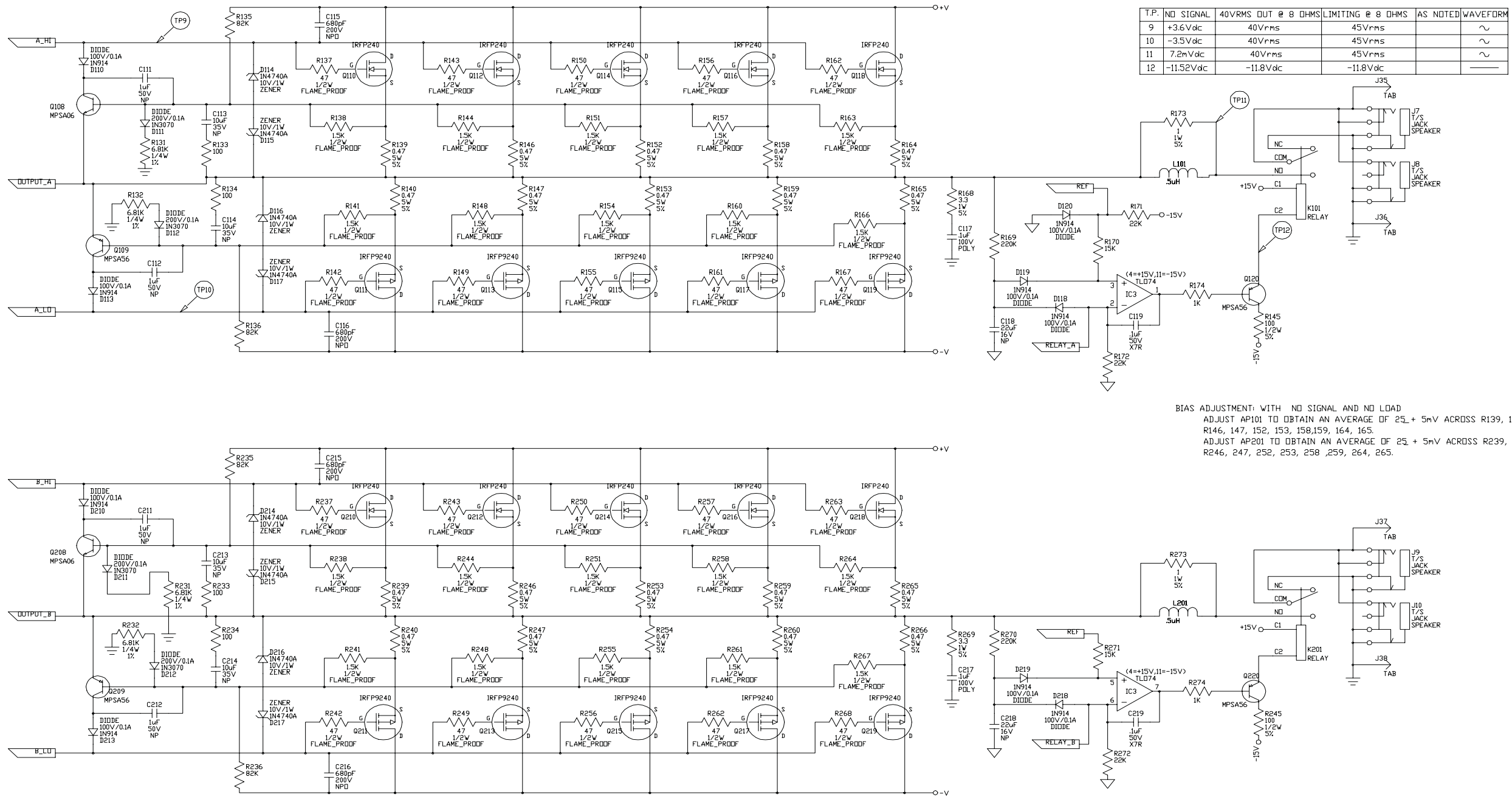


SVT-4PRO

©2007 LOUD Technologies Inc. All rights reserved

Power Amplifier PCB Schematics

PAGE 1




T.P.	NO SIGNAL	40VRMS OUT @ 8 OHMS	LIMITING @ 8 OHMS	AS NOTED	WAVEFORM
9	+3.6Vdc	40Vrms	45Vrms		~
10	-3.5Vdc	40Vrms	45Vrms		~
11	7.2mVdc	40Vrms	45Vrms		~
12	-11.52Vdc	-11.8Vdc	-11.8Vdc		—

BIAS ADJUSTMENT: WITH NO SIGNAL AND NO LOAD
 ADJUST AP101 TO OBTAIN AN AVERAGE OF 25 ± 5mV ACROSS R139, 140, 146, 147, 152, 153, 158, 159, 164, 165.
 ADJUST AP201 TO OBTAIN AN AVERAGE OF 25 ± 5mV ACROSS R239, 240, 246, 247, 252, 253, 258, 259, 264, 265.

- NOTES
- CAUTION: SHOCK HAZARD!
THIS UNIT CONTAINS HAZARDOUS VOLTAGE. DISCONNECT POWER AND BE SURE POWER SUPPLY IS DISCHARGED BEFORE TOUCHING INTERNAL PARTS.
 - UNLESS NOTED, RESISTOR VALUES IN OHMS, 1/4W-5% TOL. CAPACITOR VALUES IN MICROFARADS, 50V-10% TOL.
 - VOLTAGES ARE MEASURED WITH 1 MEGOHM OSCILLOSCOPE AND 10 MEGOHM DIGITAL VOLTMETER.
 - CHASSIS GROUND ∇ SIGNAL GROUND ∇ CIRCUIT GROUND ∇

CAUTION:
THIS SCHEMATIC IS PROVIDED FOR USE BY QUALIFIED PERSONNEL. TO AVOID RISK OF ELECTRICAL SHOCK, REFER SERVICING TO QUALIFIED SERVICE PERSONNEL. DO NOT PERFORM ANY SERVICING BEYOND THAT IN THE OPERATING INSTRUCTIONS.

REV:	DATE:	DESCRIPTION	ECR/ECN NO:	CHNG'D BY:	APPR'D BY:	DATE:
0		SEE SHT 1 FOR REV HISTORY				
THE INFORMATION CONTAINED ON THIS DRAWING IS PROPRIETARY TO ST. LOUIS MUSIC, INC.						
SIGNATURES:		DATE:				
DRAWN: REM		9/29/99		FIRST USED ON: SVT-4 PRO		
CHK'D:				DRAWING TITLE: PWR AMP SCH		
RLS'D:				DRAWING NO: 07S428-XX		
TOLERANCES:		DRAWING SIZE: D		DRAWING TITLE: PWR AMP SCH		
		DRAWING TYPE:		DRAWING NO: 07S428-XX		
		CLASS CODE:		DRAWING NO: 07S428-XX		
		SCALE: NONE		DRAWING NO: 07S428-XX		
		SHEET: 2 OF 3		DRAWING NO: 07S428-XX		

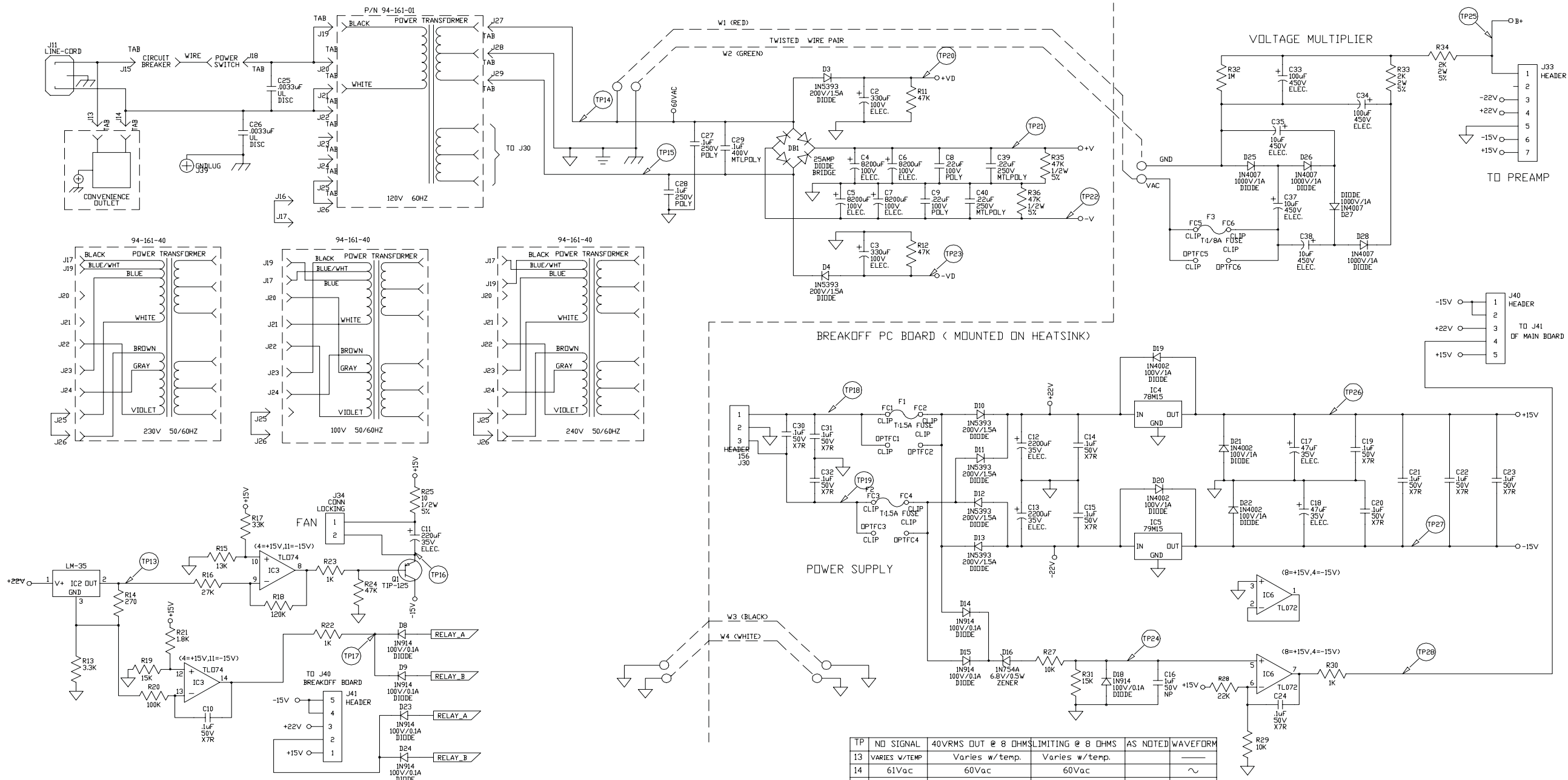


SVT-4PRO

©2007 LOUD Technologies Inc. All rights reserved

Power Amplifier PCB Schematics

PAGE 2



- NOTES**
- 1) CAUTION: SHOCK HAZARD!! THIS UNIT CONTAINS HAZARDOUS VOLTAGE. DISCONNECT POWER AND BE SURE POWER SUPPLY IS DISCHARGED BEFORE TOUCHING INTERNAL PARTS.
 - 2) UNLESS NOTED, RESISTOR VALUES IN OHMS, 1/4W-5% TOL. CAPACITOR VALUES IN MICROFARADS, 50V-10% TOL.
 - 3) VOLTAGES ARE MEASURED WITH 1 MEGOHM OSCILLOSCOPE AND 10 MEGOHM DIGITAL VOLTMETER.
 - 4) CHASSIS GROUND \downarrow SIGNAL GROUND ∇ CIRCUIT GROUND \pm
 - 5) 94-161-30 DID NOT HAVE EXTRA BLU/WHT PRIMARY XFMR LEAD.

CAUTION: THIS SCHEMATIC IS PROVIDED FOR USE BY QUALIFIED PERSONNEL. TO AVOID RISK OF ELECTRICAL SHOCK, REFER SERVICING TO QUALIFIED SERVICE PERSONNEL. DO NOT PERFORM ANY SERVICING BEYOND THAT IN THE OPERATING INSTRUCTIONS.

TP	NO	SIGNAL	40VRMS OUT @ 8 OHMS	LIMITING @ 8 OHMS	AS NOTED	WAVEFORM
13		VARIES w/TEMP	Varies w/temp.	Varies w/temp.		
14		61Vac	60Vac	60Vac		~
15		61Vac	60Vac	60Vac		~
16		+14Vdc	-4.6Vdc	-4.6Vdc		~
17		+14.4Vdc	+14.4Vdc	+14.4Vdc		~
18		20Vac	19Vac	19Vac		~
19		20Vac	19Vac	19Vac		~
20		+82Vdc	+76.3Vdc	+76.3Vdc		~
21		+83Vdc	+76Vdc	+76Vdc		~
22		-83Vdc	-76Vdc	-76Vdc		~
23		-82Vdc	-76.3Vdc	-76.3Vdc		~
24		+6Vdc	+5.73Vdc	+5.73Vdc		~
25		+288Vdc	+267.7Vdc	+266Vdc		~
26		+15Vdc	+15Vdc	+15Vdc		~
27		-15Vdc	-15Vdc	-15Vdc		~
28		+14.3Vdc	+14.3Vdc	+14.3Vdc		~

REV:	DATE:	DESCRIPTION	ECR/ECN NO:	CHNG'D BY:	APPR'D BY:	DATE:
THE INFORMATION CONTAINED ON THIS DRAWING IS PROPRIETARY TO ST. LOUIS MUSIC, INC.						
SIGNATURES:		DATE:				
DRAWN: REM		9/29/99				
CHK'D:				FIRST USED ON:		
RLS'D				SVT-4 PRO		
DRAWING SIZE: D		DRAWING TYPE: PWR AMP SCH		DRAWING NO:		
DRAWING TITLE:				07S428-XX		
CLASS CODE:				DRAWING NO:		
SCALE: NONE		SHEET: 3 OF 3				