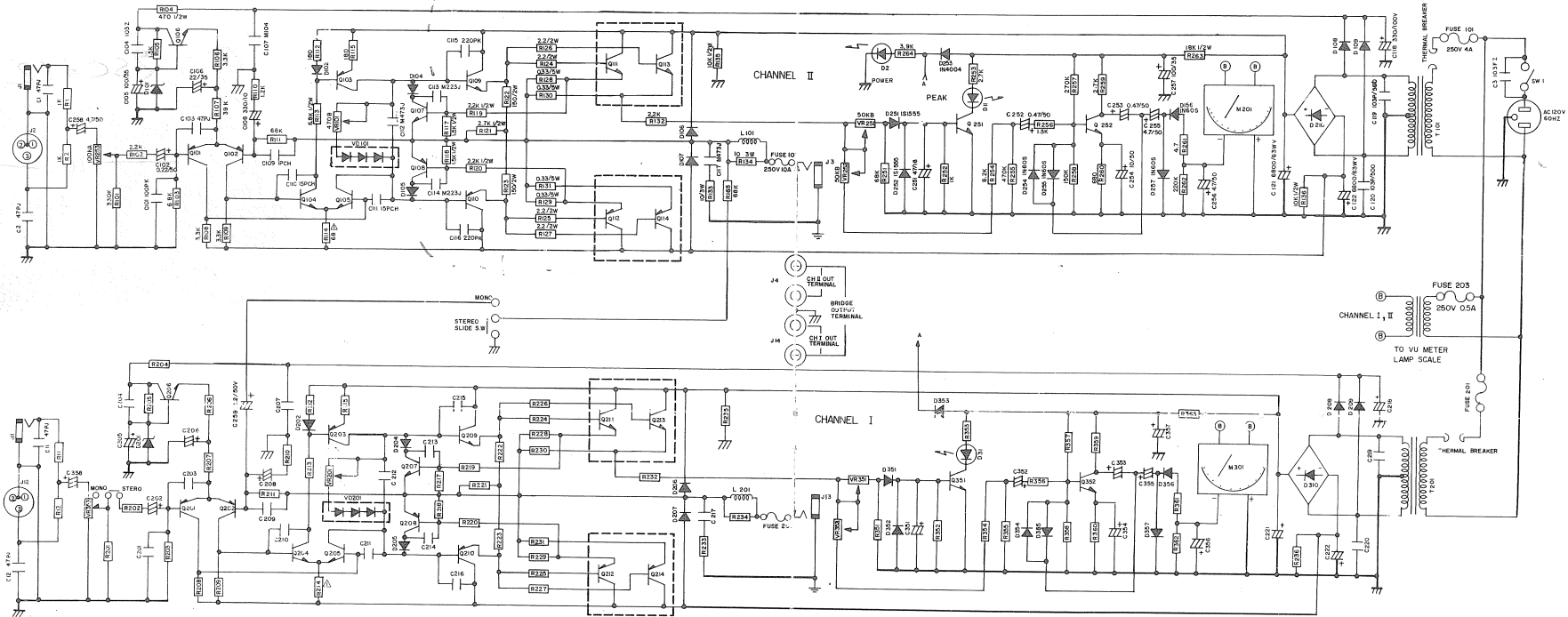


# SCHEMATIC DIAGRAM MEGA-AMP II 400



NOTES 1  
All capacitors values are in  $\mu$  unless otherwise noted. P-FICU FABRIE  
All resistors values are in ohms unless otherwise noted. K $\Omega$  OHM  
NOTES 2  
Subject to change without notice  
NOTES 3  
Channel I are all parts specifications same as channel II.

SYMBOL DESCRIPTION  
VR 253, 353 MASTER VOLUME  
VR 252, 352 VU LEVEL ADJUST  
VR 251, 351 PEAK LEVEL ADJUST  
M201, 301 VU METER  
SW 1 POWER SWITCH  
J1, 11 UNBALANCED INPUT JACK  
J2, 12, J3, 13 INTERNAL SPEAKER JACK  
J4, 14 EXTERNAL BRIDGE JACK

USED SEMICONDUCTOR	
KLR 124E	D11
KLR 114E	D2
IN 605	D254, 255, 256, 257
IN 414B	D104, 105
IS 1554	D102

USED SEMICONDUCTOR	
IS 1555	D251, 252
IN 40D4	D106, 107, 108, 109
UZ 24B	D101
MV 312Y	VD101
BR 82	D20

USED SEMICONDUCTOR	
KTA 970GR	Q101, 102
KTC 2229Y	Q104, 105
KTC 1627Y	Q106
KTA 949Y	Q103
ZSC 2167Y	Q109

USED SEMICONDUCTOR	
ZSA 957Y	Q110
ZSC 2921 O.Y.	Q111, 113
ZSA 1215 O.Y.	Q112, 114
KTC 1815Y	Q101, 251, 252
KTA 10151	Q118