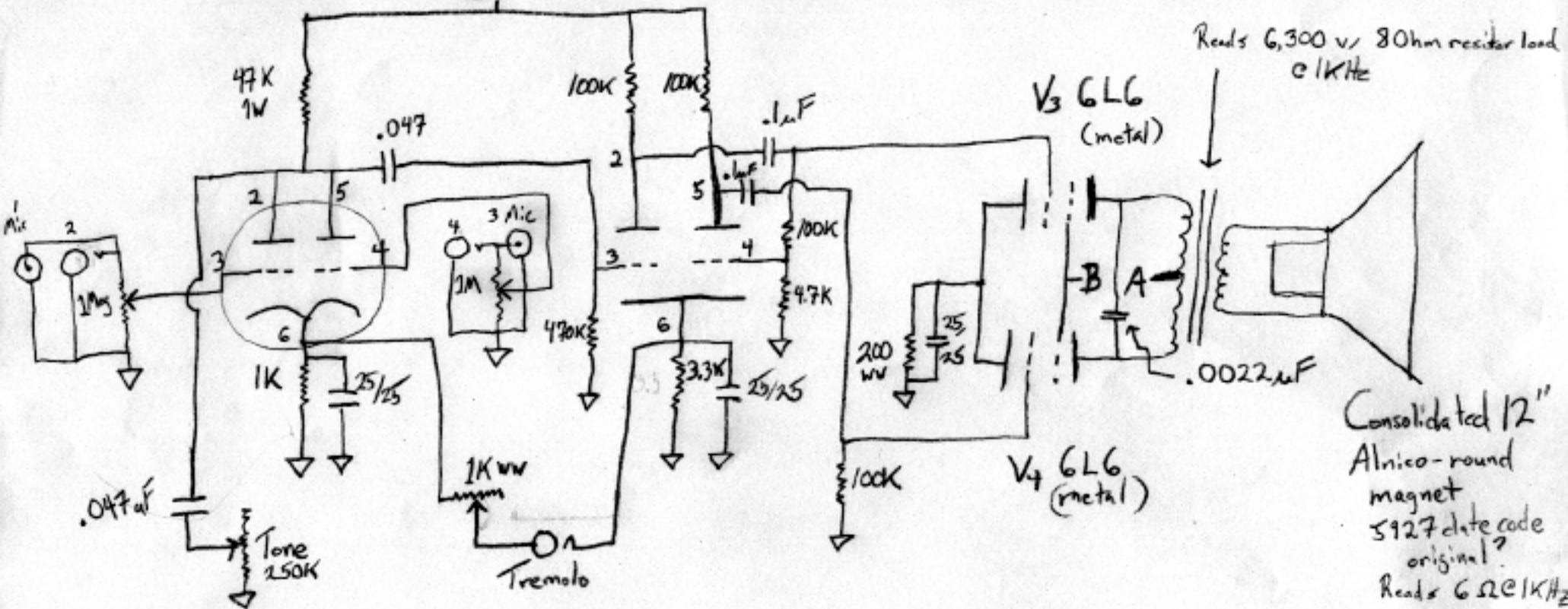


V<sub>1</sub> 6SC7

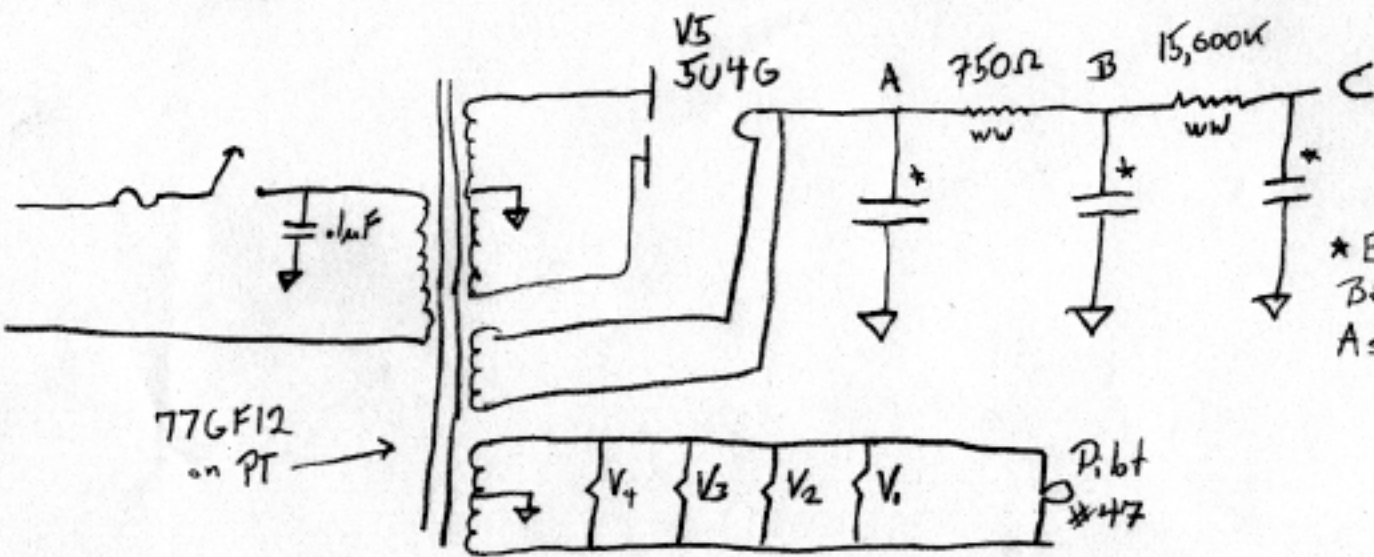
V<sub>2</sub> 6SC7

# ~1952 Flot-A-Tone Combo Amp w Tremolo



Reads 6,300 v / 80hm resistor load @ 1kHz

Consolidated 12"  
Alnico-round magnet  
5927 date code  
original?  
Reads 6Ω @ 1kHz



all smaller caps are 1600V rated Bumblebee style (blue stripe)

\* Electrolytics are completely unmarked  
B + C sections test ~ 35μF  
A section's ESR is too high to test

Flot-A-Tone Amp  
(no model \*)