

GUITAR AMPLIFIER THR10/THR5

SERVICE MANUAL



■ CONTENTS (目次)

SPECIFICATIONS (仕様)	3/4
DIMENSIONS (寸法図)	5
PANEL LAYOUT (パネルレイアウト)	6
CIRCUIT BOARD LAYOUT (ユニットレイアウト)	7
WIRING DIAGRAM (基板結線図)	8
BLOCK DIAGRAM (ブロックダイアグラム)	9
DISASSEMBLY PROCEDURES (分解手順)	10
CIRCUIT BOARDS (シート基板図)	18
INSPECTIONS (検査)	27
UPDATING FIRMWARE (ファームウェアのアップデート)	34
PARTS LIST	
CIRCUIT DIAGRAM	

GA 012035

THR10: 20111120 オープンブライス
THR5: 20111120 オープンブライス

 **YAMAHA**

HAMAMATSU, JAPAN

Copyright (c) Yamaha Corporation. All rights reserved. RN YBS '11.11

IMPORTANT NOTICE

This manual has been provided for the use of authorized Yamaha Retailers and their service personnel. It has been assumed that basic service procedures inherent to the industry, and more specifically Yamaha Products, are already known and understood by the users, and have therefore not been restated.

WARNING: Failure to follow appropriate service and safety procedures when servicing this product may result in personal injury, destruction of expensive components and failure of the product to perform as specified. For these reasons, we advise all Yamaha product owners that all service required should be performed by an authorized Yamaha Retailer or the appointed service representative.

IMPORTANT: This presentation or sale of this manual to any individual or firm does not constitute authorization, certification, recognition of any applicable technical capabilities, or establish a principal-agent relationship of any form.

The data provided is believed to be accurate and applicable to the unit(s) indicated on the cover. The research engineering, and service departments of Yamaha are continually striving to improve Yamaha products. Modifications are, therefore, inevitable and changes in specification are subject to change without notice or obligation to retrofit. Should any discrepancy appear to exist, please contact the distributor's Service Division.

WARNING: Static discharges can destroy expensive components. Discharge any static electricity your body may have accumulated by grounding yourself to the ground bus in the unit (heavy gauge black wires connect to this bus).

IMPORTANT: Turn the unit OFF during disassembly and parts replacement. Recheck all work before you apply power to the unit.

WARNING: This product contains chemicals known to the State of California to cause cancer, or birth defects or other reproductive harm.

DO NOT PLACE SOLDER, ELECTRICAL/ELECTRONIC OR PLASTIC COMPONENTS IN YOUR MOUTH FOR ANY REASON WHATSOEVER!

Avoid prolonged, unprotected contact between solder and your skin! When soldering, do not inhale solder fumes or expose eyes to solder/flux vapor!

If you come in contact with solder or components located inside the enclosure of this product, wash your hands before handling food.

IMPORTANT NOTICE FOR THE UNITED KINGDOM


Connecting the Plug and Cord

WARNING: THIS APPARATUS MUST BE EARTHED

IMPORTANT. The wires in this mains lead are coloured in accordance with the following code:

GREEN-AND-YELLOW:	EARTH
BLUE:	NEUTRAL
BROWN:	LIVE


As the colours of the wires in the mains lead of this apparatus may not correspond with the coloured markings identifying the terminals in your plug, proceed as follows:


The wire which is coloured GREEN and YELLOW must be connected to the terminal in the plug which is marked by the letter E or by the safety earth symbol  or colored GREEN or colored GREEN and YELLOW.

The wire which is coloured BLUE must be connected to the terminal which is marked with the letter N or coloured BLACK.

The wire which is coloured BROWN must be connected to the terminal which is marked with the letter L or coloured RED.

■ WARNING (注意)

Components having special characteristics are marked  and must be replaced with parts having specification equal to those originally installed.

 印の部品は、安全を維持するために重要な部品です。交換する場合は、安全のために必ず指定の部品をご使用ください。

SPECIFICATIONS

Digital Section

- **Built-in Amp Simulations**

THR10: CLEAN, CRUNCH, LEAD, BRIT HI, MODERN, BASS, ACO, FLAT

THR5: CLEAN, CRUNCH, LEAD, BRIT HI, MODERN

- **Built-in Effects**

- CHORUS, FLANGER, PHASER, TREMOLO
- DELAY, DELAY/REVERB, SPRING REVERB, HALL REVERB
- COMPRESSOR*
- NOISE GATE*

* Only available in the THR Editor.

- **Built-in Chromatic Auto Tuner**

Controller/Switch

THR10: AMP, GAIN, MASTER, BASS, MIDDLE, TREBLE, EFFECT, DLY/REV, GUITAR OUTPUT, USB/AUX OUTPUT, USER MEMORY Switch x5, TAP/TUNER Switch

THR5: AMP, GAIN, MASTER, TONE, EFFECT, DLY/REV, VOLUME, TAP/TUNER Switch

Display

LED x1

Connections

INPUT (Standard Monaural Phone Jack)

PHONES (Standard Stereo Phone Jack)

AUX (Stereo Mini Jack)

USB 2.0

DC IN

A/D Converter

24-bit + 3 Bit Floating

D/A Converter

24-bit

Sampling Frequency

44.1 kHz

Memory Allocations (THR10 only)

User Memory: 5

Input Level

GUITAR IN: -10 dBu

AUX IN: -10 dBu

PHONES Output Level

10 mW

Rated Output

10 W (5 W + 5 W)

Power Source

Power Adaptor or Batteries

- **Power Adaptor (EADP-38EB A)**

- Input:

U.S.A. and Canada models: AC120 V, 60 Hz

Other models: AC100 V to 240 V, 50/60 Hz

- Output: DC 15 V, 2.56 A

- **Batteries (AA alkaline batteries or nickel-hydride batteries (eneloop) x 8)**

- Battery Life

Alkaline batteries: approx. 6 hours

Nickel-hydride batteries: approx. 7 hours

* Depending upon usage and conditions

Power Consumption

18 W

Dimensions (W x H x D)

THR10: 360 x 183.5 x 140 mm (14.2" x 7.2" x 5.5")

THR5: 271 x 167 x 120 mm (10.7" x 6.6" x 4.7")

Weight

THR10: 2.8 kg (6 lbs. 3 oz.)

THR5: 2.0 kg (4 lbs. 7 oz.)

Accessories

- Power Adaptor
- USB Cable
- Stereo-Mini Cable
- Owner's Manual
- Cubase AI DVD-ROM

■ 仕様

デジタル部

・搭載アンプシミュレーション

THR10: CLEAN, CRUNCH, LEAD, BRIT HI, MODERN, BASS, ACO, FLAT

THR5: CLEAN, CRUNCH, LEAD, BRIT HI, MODERN

・搭載エフェクト

- ・ CHORUS, FLANGER, PHASER, TREMOLO
 - ・ DELAY, DELAY/REVERB, SPRING REVERB, HALL REVERB
 - ・ COMPRESSOR*
 - ・ NOISE GATE*
- * THR Editor でのみ設定可能

・クロマチックオートチューナー内蔵

コントローラー / スイッチ

THR10: AMP, GAIN, MASTER, BASS, MIDDLE, TREBLE, EFFECT, DLY/REV, GUITAR OUTPUT, USB/AUX OUTPUT, USER MEMORY スイッチ x 5, TAP/TUNER スイッチ

THR5: AMP, GAIN, MASTER, TONE, EFFECT, DLY/REV, VOLUME, TAP/TUNER スイッチ

ディスプレイ

LED x 1

接続端子

INPUT (標準フォンモノジャック)
 PHONES(標準フォンステレオジャック)
 AUX (ステレオミニジャック)
 USB 2.0
 DC IN

A/D コンバーター

24 ビット + 3 ビットフローティング

D/A コンバーター

24 ビット

サンプリング周波数

44.1 kHz

メモリー数 (THR10 のみ)

ユーザーメモリー : 5

入力レベル

GUITAR IN : -10 dBu
 AUX IN : -10 dBu

PHONES 出力レベル

10 mW

定格出力

10W (5W + 5W)

電源

電源アダプターまたは電池で駆動

・電源アダプター (EADP-38EB A)

- ・ 入力 : AC100V, 50/60 Hz
- ・ 出力 : DC15V, 2.56A

・電池 (単三形アルカリ電池またはニッケル水素電池 (eneloop) x 8 本)

- ・ 電池寿命 * : アルカリ電池 約 6 時間
 ニッケル水素電池 約 7 時間
- * 使用状況により異なる

消費電力

18W

寸法 (W x H x D)

THR10: 360x183.5x140mm

THR5: 271x167x120mm

重量

THR10: 2.8 kg

THR5: 2.0 kg

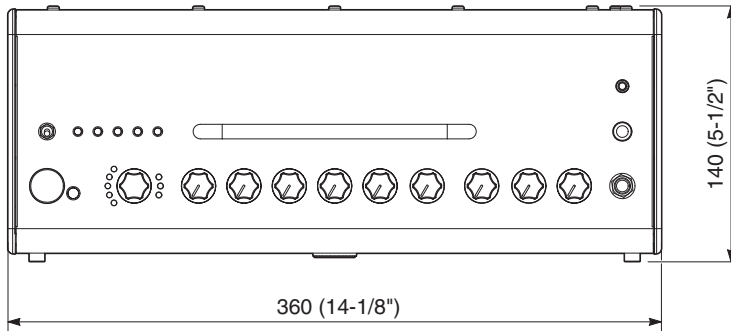
付属品

- ・ 電源アダプター (NU40-8150266-13)
- ・ USB ケーブル
- ・ ステレオミニケーブル
- ・ 取扱説明書
- ・ Cubase AI DVD-ROM

DIMENSIONS (寸法図)

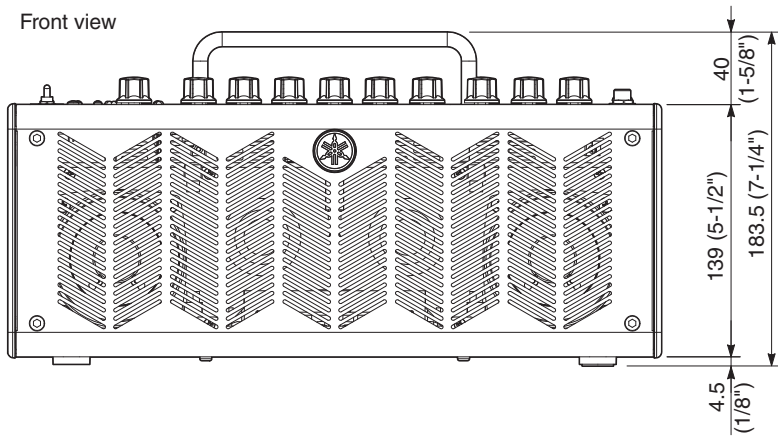
THR10

Top view

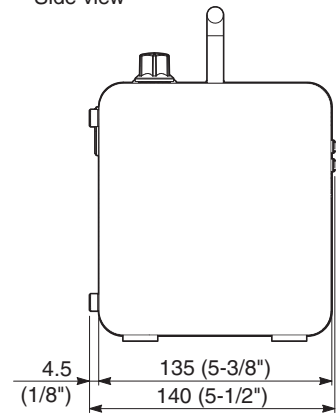


Unit: mm (inch)
単位: mm (インチ)

Front view

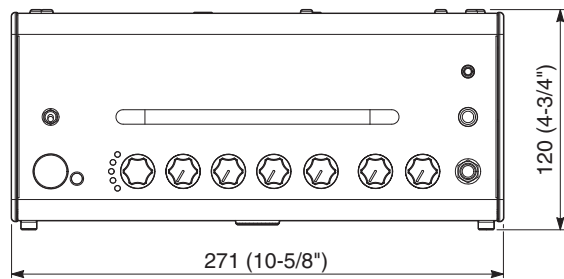


Side view



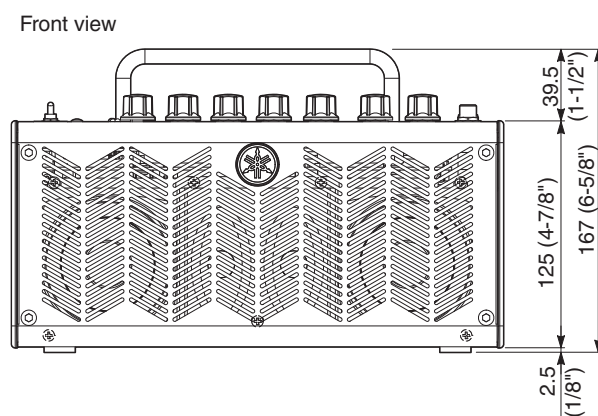
THR5

Top view

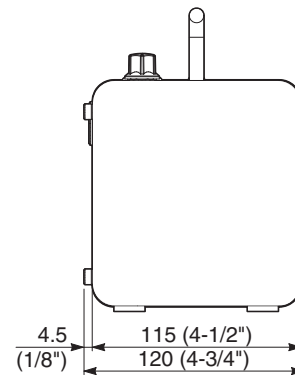


Unit: mm (inch)
単位: mm (インチ)

Front view

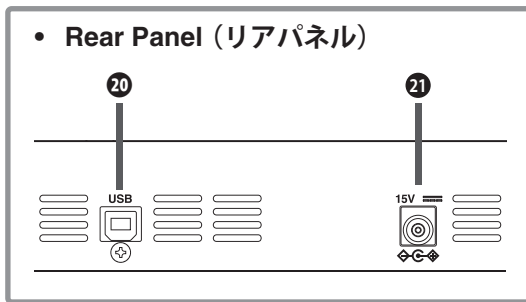
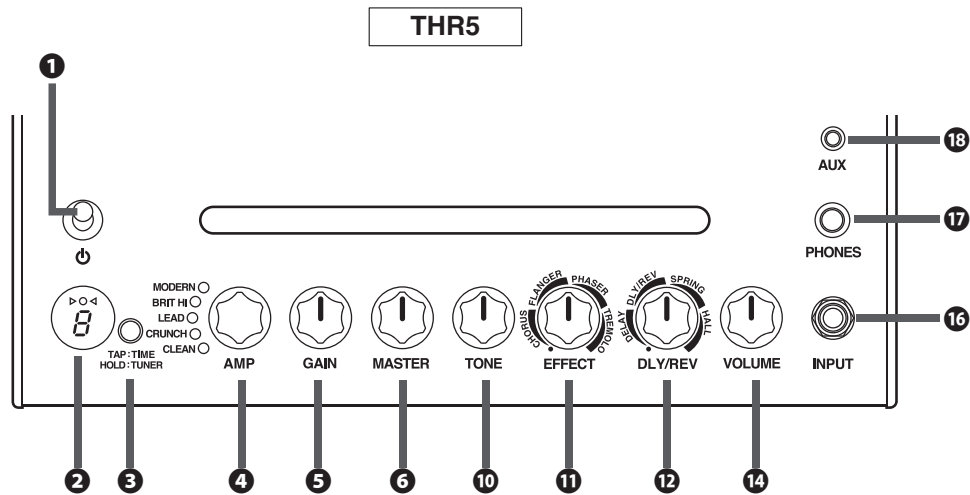
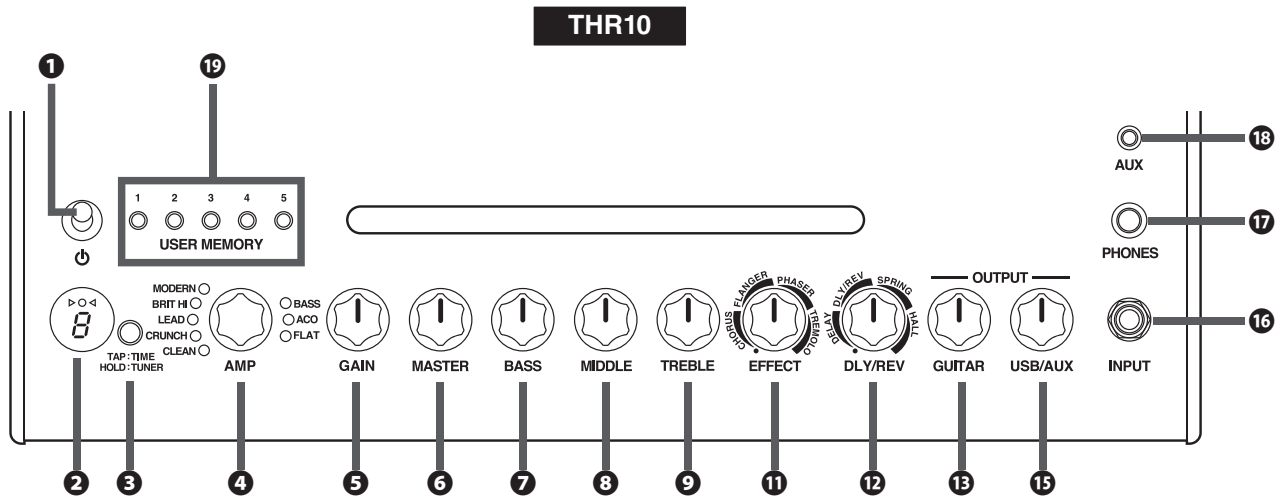


Side view



■ PANEL LAYOUT (パネルレイアウト)

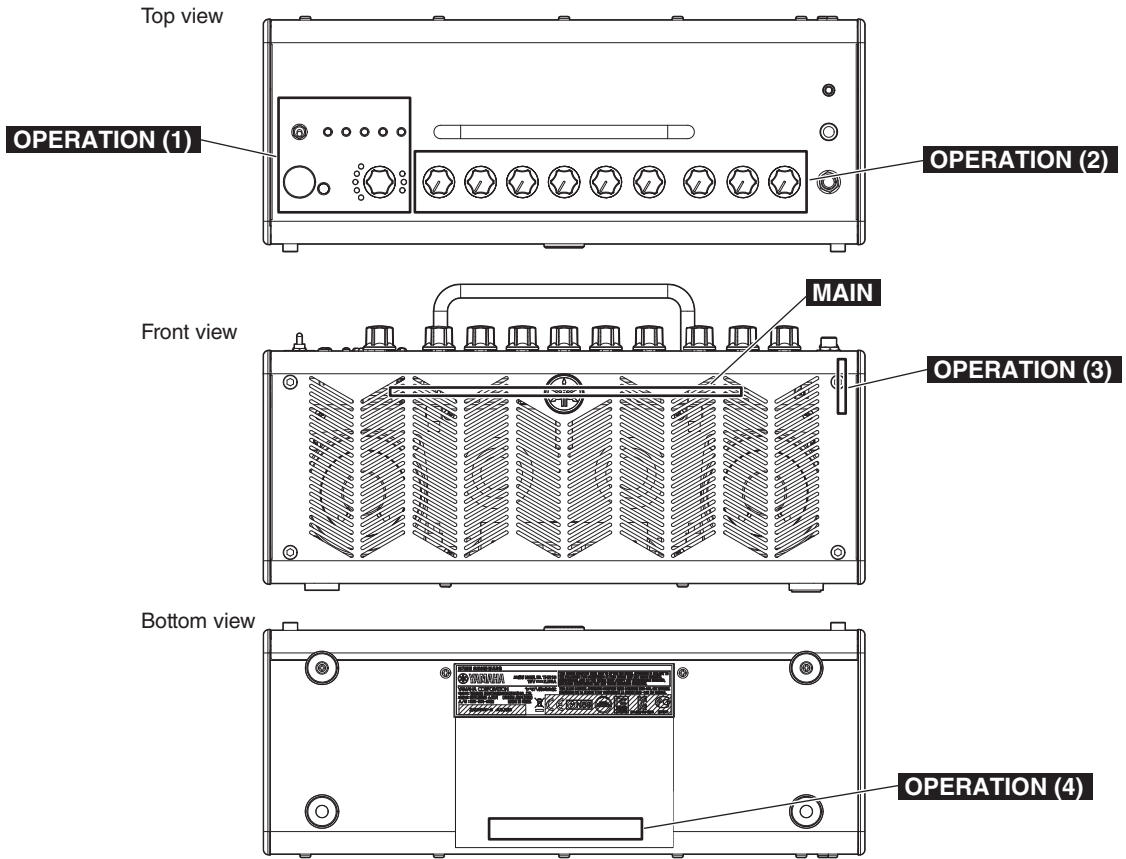
• Front Panel (フロントパネル)



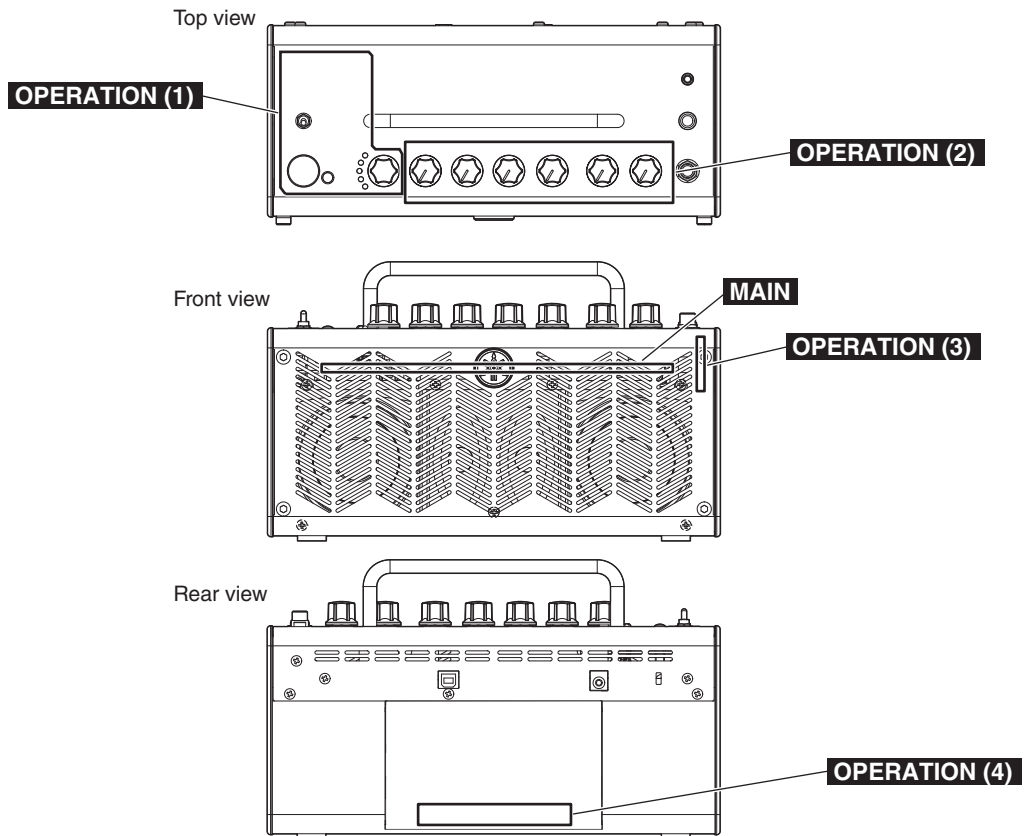
- | | | | |
|-----------------------|-------------------------------|--------------------|-----------------------------|
| ① 電源スイッチ | ⑫ DLY/REV (delay/reverb) | ① 電源スイッチ | ⑫ DLY / REV(ディレイ/リバーブ) |
| ② LED Display | ⑬ GUITAR OUTPUT (THR10 Only) | ② LED ディスプレイ | ⑬ GUITAR OUTPUT (THR10のみ) |
| ③ TAP/TUNER | ⑭ VOLUME (THR5 only) | ③ TAP / TUNER | ⑭ VOLUME (THR5のみ) |
| ④ AMP | ⑮ USB/AUX OUTPUT (THR10 only) | ④ AMP | ⑮ USB / AUX OUTPUT(THR10のみ) |
| ⑤ GAIN | ⑯ INPUT | ⑤ GAIN | ⑯ INPUT |
| ⑥ MASTER | ⑰ PHONES | ⑥ MASTER | ⑰ PHONES |
| ⑦ BASS (THR10 only) | ⑱ AUX | ⑦ BASS (THR10のみ) | ⑱ AUX |
| ⑧ MIDDLE (THR10 only) | ⑲ USER MEMORY (THR10 only) | ⑧ MIDDLE (THR10のみ) | ⑲ USER MEMORY (THR10のみ) |
| ⑨ TREBLE (THR10 only) | ⑳ USB | ⑨ TREBLE (THR10のみ) | ⑳ USB |
| ⑩ TONE (THR5 only) | ㉑ DC IN | ⑩ TONE (THR5のみ) | ㉑ DC IN |
| ⑪ EFFECTS | | ⑪ EFFECT | |

■ CIRCUIT BOARD LAYOUT (ユニットレイアウト)

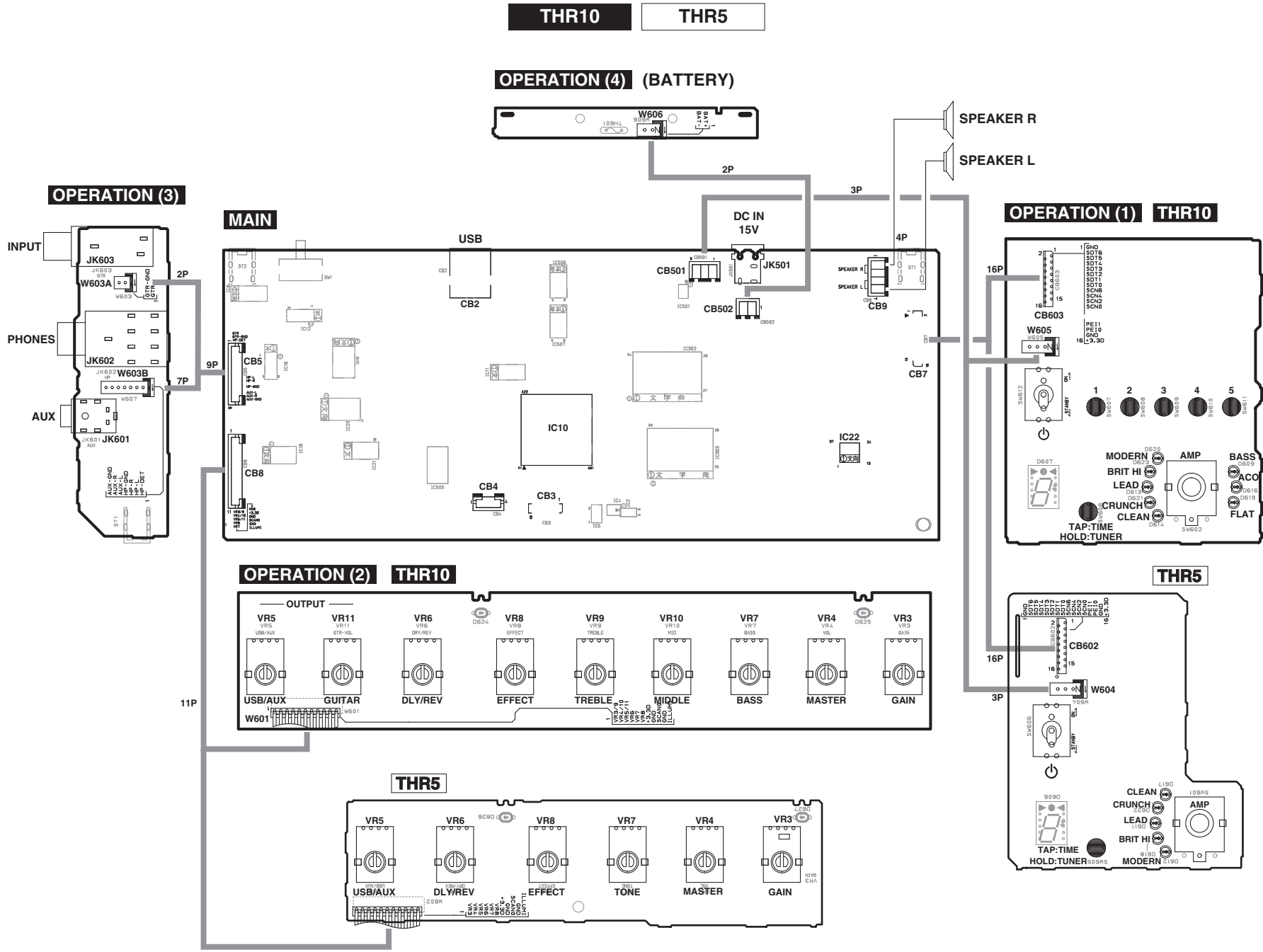
THR10



THR5



WIRING DIAGRAM (基板結線図)



THR10

THR5

OPERATION (4) (BATTERY)

OPERATION (3)

MAIN

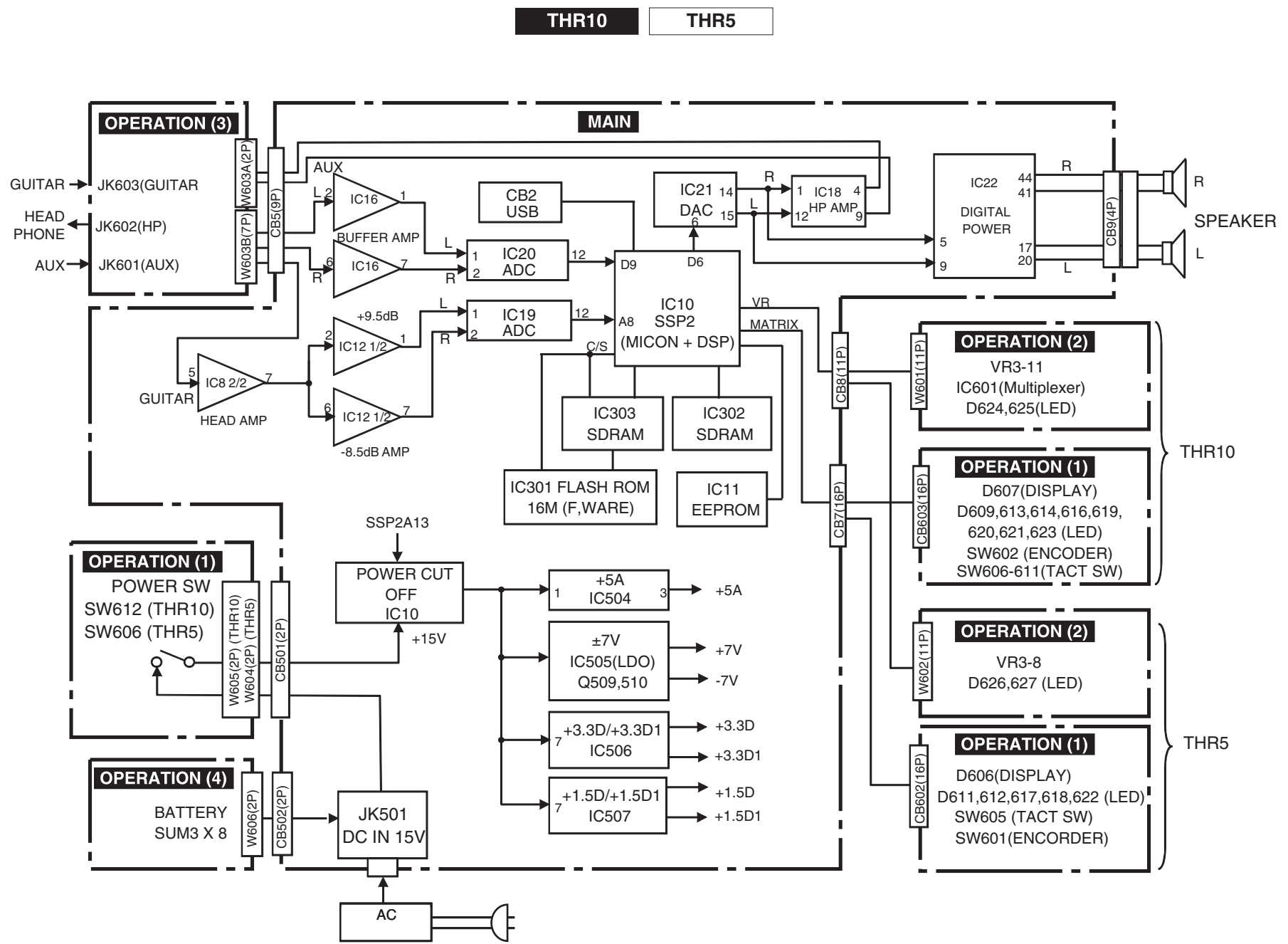
OPERATION (1) THR10

OPERATION (2) THR10

THR5

THR5

■ BLOCK DIAGRAM (ブロックダイアグラム)



DISASSEMBLY PROCEDURES (分解手順)

1. Top Cover Assembly

(Time required: About 2 minutes)

- 1-1 Using an Allen hex socket screw driver (size: 4 mm), remove the four (4) screws marked [50]. Remove the two (2) screws marked [54A] and the three (3) screws marked [54B]. (Fig. 1)

1. メタルグリル Ass'y (所要時間：約 2 分)

- 1-1 六角レンチ (4mm) で [50] のネジ 4 本を外します。[54A] のネジ 2 本、[54B] のネジ 3 本を外します。(図 1)

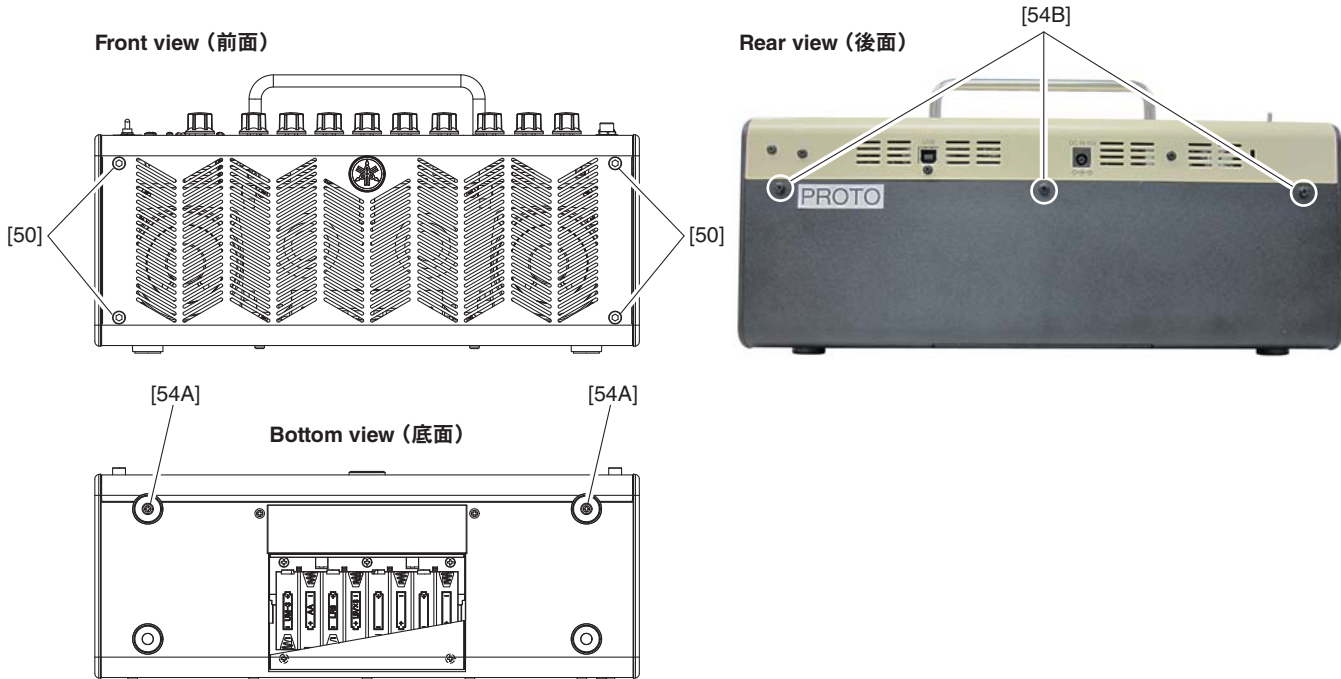


Fig. 1 (図 1)

- 1-2 Lift the top cover front lower side after pulling it toward you. Disconnect the two (2) connector assemblies from CB9 and CB502 on the MAIN circuit board. The top cover assembly can then be removed. (Fig. 2)

- 1-2 トップカバーのフロント下側を手前に引いてから持ち上げます。MAIN シートの CB9、CB502 から 2 つの束線を外し、トップカバー Ass'y を外します。(図 2)

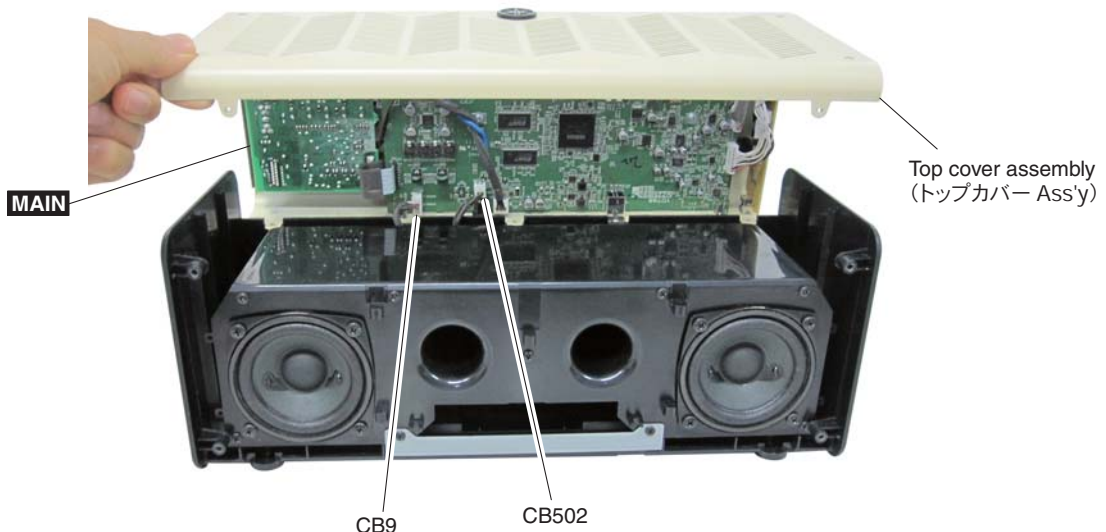


Fig. 2 (図 2)

THR10

2. MAIN Circuit Board (Time required: About 3 minutes)

- 2-1 Remove the top cover assembly. (See procedure 1.)
- 2-2 Remove the two (2) screws marked [16A], the two (2) screws marked [17A] and the screw marked [18]. The MAIN circuit board can then be removed. (Fig. 3)
- 2-3 Disconnect the flexible flat cable and the three (3) connector assemblies from CB7, CB5, CB8 and CB501 on the MAIN circuit board. (Fig. 3)

3. OPERATION (1) Circuit Board (Time required: About 3 minutes)

- 3-1 Remove the top cover assembly. (See procedure 1.)
- 3-2 Remove the hexagonal nut and washer fixing the power switch, the AMP knob and the hexagonal nut underneath the AMP knob. (Fig. 3)
- 3-3 Remove the screw marked [16B]. The OPERATION (1) circuit board can then be removed. (Fig. 3)
- 3-4 Disconnect the flexible flat cable from CB603 on the OPERATION (1) circuit board and the connector assembly from CB501 on the MAIN circuit board. (Fig. 3)

2. メインシート (所要時間: 約 3 分)

- 2-1 トップカバー Ass'y を外します。(1 項参照)
- 2-2 [16A] のネジ 2 本、[17A] のネジ 2 本、[18] のネジを外し、MAIN シートを外します。(図 3)
- 2-3 MAIN シートの CB7、CB5、CB8、CB501 からカード電線と 3 つの束線を外します。(図 3)

3. OPERATION (1) シート (所要時間: 約 3 分)

- 3-1 トップカバー Ass'y を外します。(1 項参照)
- 3-2 電源スイッチ固定用の六角ナットとワッシャー、AMP ノブ、AMP ノブの下の六角ナットを外します。(図 3)
- 3-3 [16B] のネジを外し、OPERATION (1) シートを外します。(図 3)
- 3-4 OPERATION (1) シートの CB603 からカード電線を、MAIN シートの CB501 から束線を外します。(図 3)

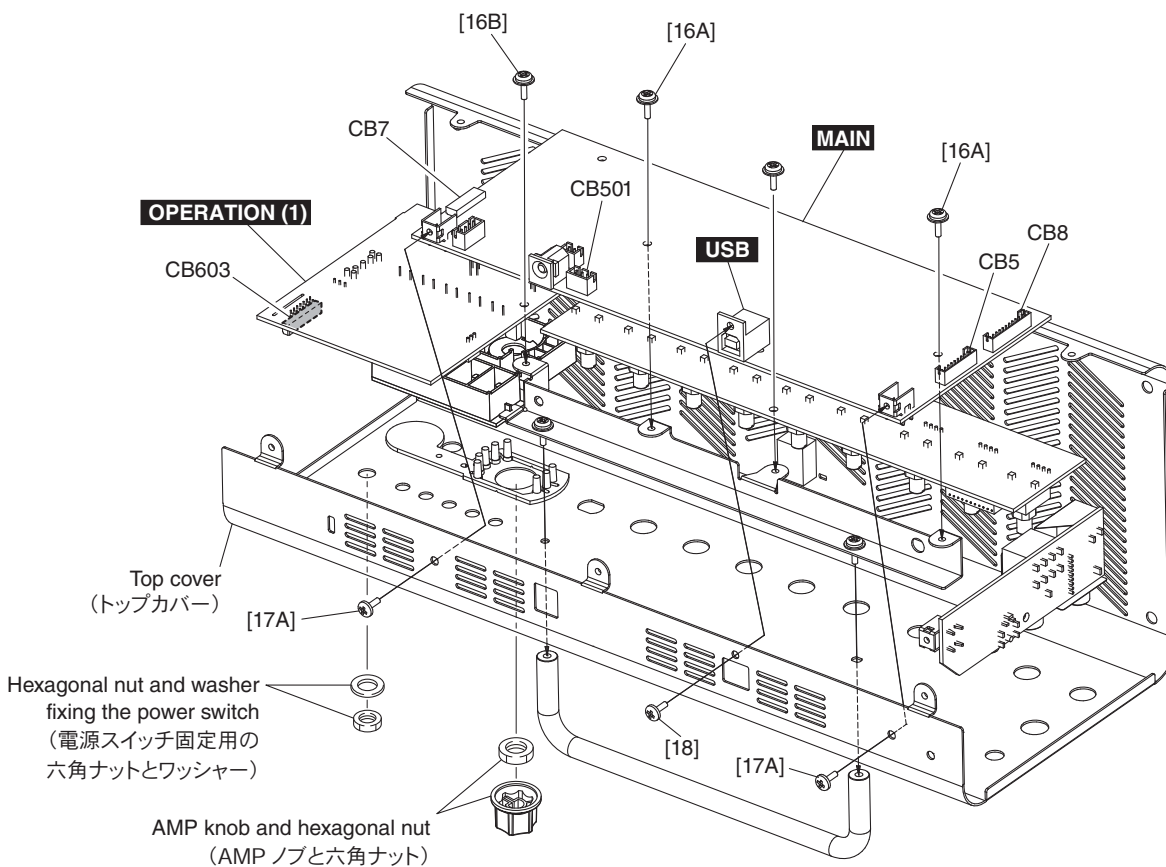


Fig. 3 (図 3)

4. OPERATION (2) Circuit Board (Time required: About 5 minutes)

- 4-1 Remove the top cover assembly. (See procedure 1.)
- 4-2 Remove the MAIN circuit board. (See procedure 2.)
- 4-3 Remove the nine (9) knobs, nine (9) hexagonal nuts and nine (9) washers underneath each knob. (Fig. 4)
- 4-4 Remove the screw marked [16C]. The OPERATION (2) circuit board can then be removed. (Fig. 4)

5. OPERATION (3) Circuit Board (Time required: About 3 minutes)

- 5-1 Remove the top cover assembly. (See procedure 1.)
- 5-2 Remove the hexagonal nut and washer fixing INPUT jack, and screw marked [17B]. The OPERATION (3) circuit board can then be removed. (Fig. 4)
- 5-3 Disconnect the connector assembly from CB5 on the MAIN circuit board. (Fig. 4)

4. OPERATION (2) シート (所要時間: 約 5 分)

- 4-1 トップカバー Ass'y を外します。(1 項参照)
- 4-2 MAIN シートを外します。(2 項参照)
- 4-3 ノブ 9 個、各ノブの下の六角ナット 9 個とワッシャー 9 個を外します。(図 4)
- 4-4 [16C] のネジを外し、OPERATION (2) シートを外します。(図 4)

5. OPERATION (3) シート (所要時間: 約 3 分)

- 5-1 トップカバー Ass'y を外します。(1 項参照)
- 5-2 INPUT ジャック固定用の六角ナットとワッシャー、[17B] のネジを外し、OPERATION (3) シートを外します。(図 4)
- 5-3 MAIN シートの CB5 から束線を外します。(図 4)

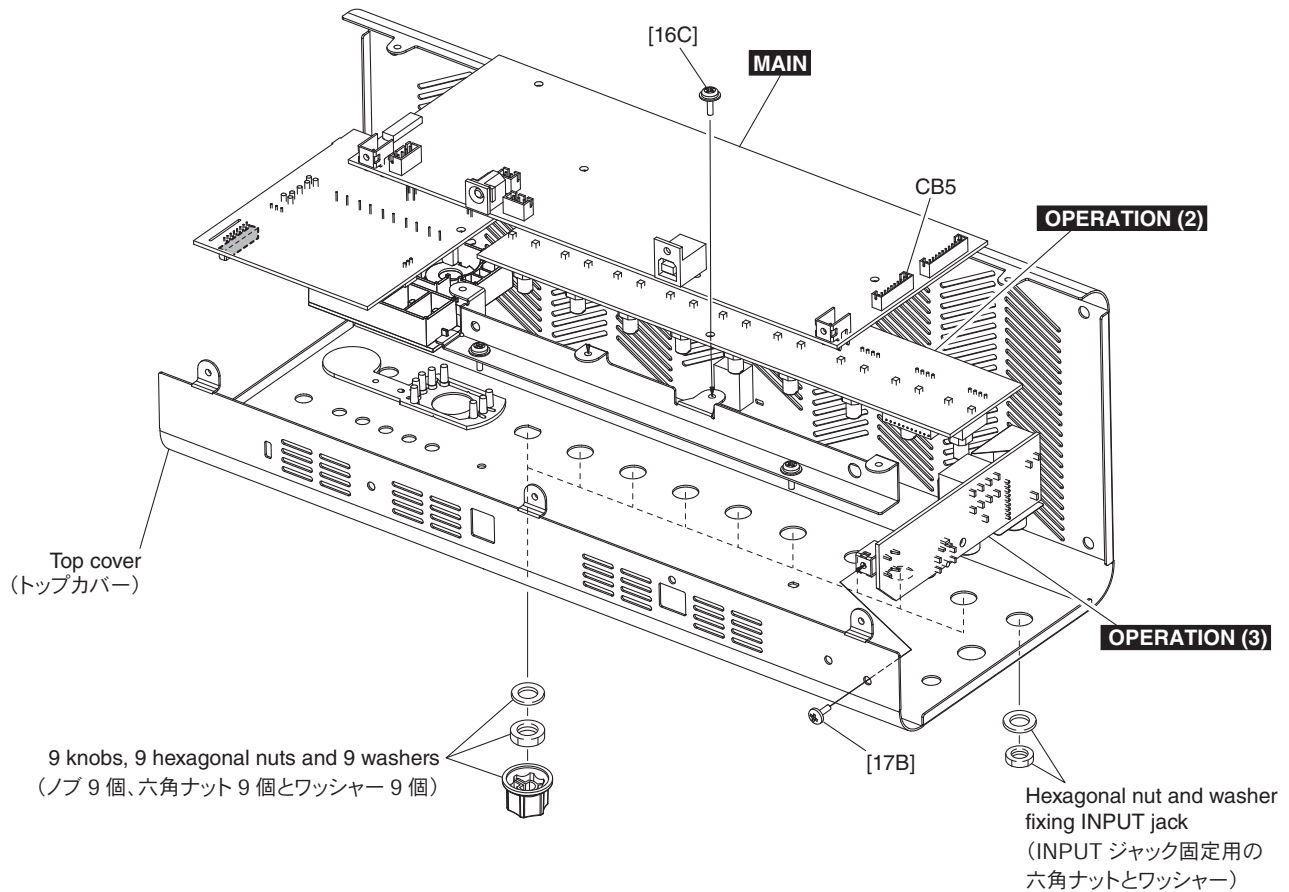


Fig. 4 (図 4)

THR10

6. SPEAKERS (Time required: About 3 minutes per each)

* The left and right speakers can be removed in the same manner.

- 6-1 Remove the top cover assembly. (See procedure 1.)
- 6-2 Remove the four (4) screws marked [51]. The speaker can then be removed. (Fig. 5)
- 6-3 Remove the cables from the speaker's terminals after unsoldering them.

6. スピーカー ((所要時間 : 各約 3分))

※ 左右のスピーカーは同じ方法で取り外すことができます。

- 6-1 トップカバー Ass'y を外します。(1 項参照)
- 6-2 [51]のネジ4本を外し、スピーカーを外します。(図5)
- 6-3 スピーカーの端子からハンダを取り除いて線材を外します。

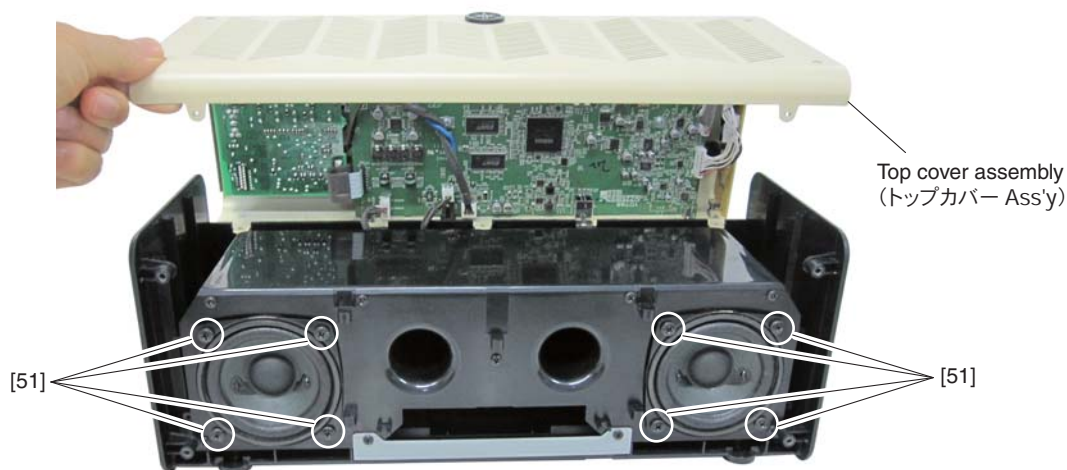


Fig. 5 (図 5)

Note: When connecting the cables to the speaker's terminals, be careful with cable's color. (Table 1.)

	Left speaker	Right speaker
+ terminal	Red	Blue
- terminal	White	Yellow

注 : スピーカーの端子にケーブルを接続するときは、ケーブルの色に注意してください。

	左スピーカー	右スピーカー
+ 端子	赤	青
- 端子	白	黄

1. Top Cover Assembly (Time required: About 2 minutes)

- 1-1 Using an Allen hex socket screw driver (size: 4 mm), remove the four (4) screws marked [50]. Remove the three (3) screws marked [52A] and the two (2) screws marked [52B]. (Fig. 1)

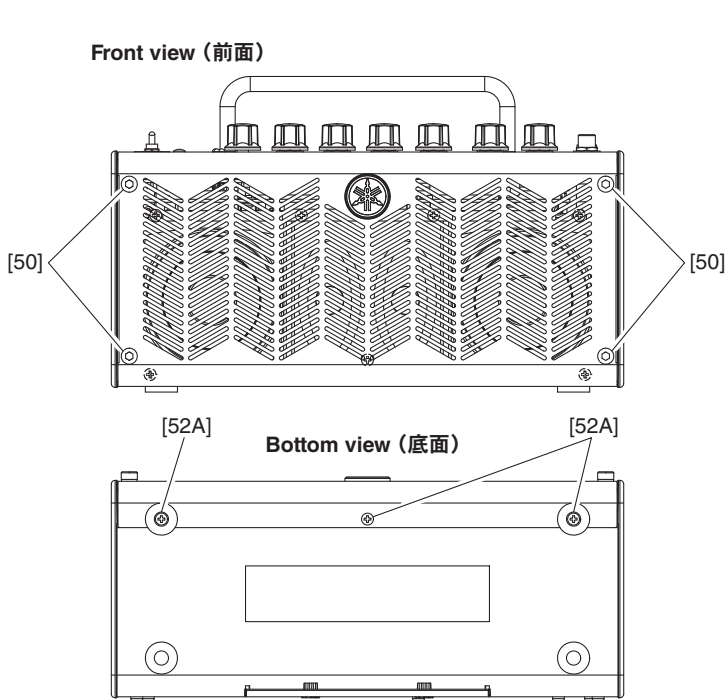
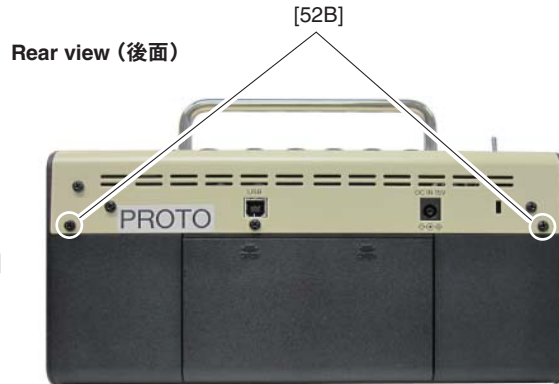


Fig. 1 (図 1)

1. メタルグリル Ass'y (所要時間 : 約 2 分)

- 1-1 六角レンチ (4mm) で [50] のネジ 4 本を外します。 [52A] のネジ 3 本、 [52B] のネジ 2 本を外します。 (図 1)



- 1-2 Lift the top cover front lower side after pulling it toward you. Disconnect the two (2) connector assemblies from CB9 and CB502 on the MAIN circuit board. The top cover assembly can then be removed. (Fig. 2)

- 1-2 トップカバーのフロント下側を手前に引いてから持ち上げます。MAIN シートの CB9、CB502 から 2 つの束線を外し、トップカバー Ass'y を外します。(図 2)

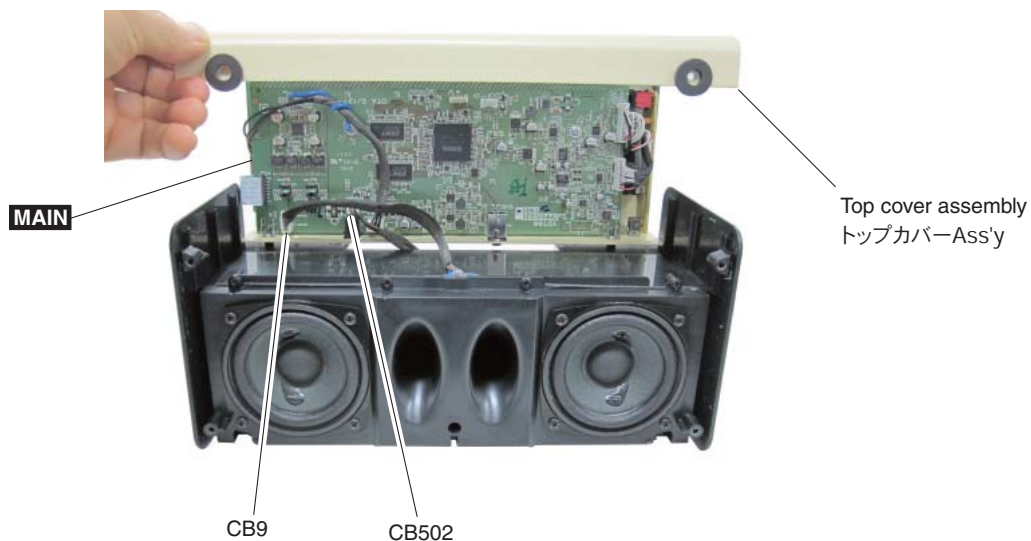


Fig. 2 (図 2)

THR5

2. MAIN Circuit Board (Time required: About 3 minutes)

- 2-1 Remove the top cover assembly. (See procedure 1.)
- 2-2 Remove the two (2) screws marked [16A], the two (2) screws marked [17A] and the screw marked [18]. The MAIN circuit board can then be removed. (Fig. 3)
- 2-3 Disconnect the flexible flat cable and the three (3) connector assemblies from CB7, CB5, CB8 and CB501 on the MAIN circuit board. (Fig. 3)

3. OPERATION (1) Circuit Board (Time required: About 5 minutes)

- 3-1 Remove the top cover assembly. (See procedure 1.)
- 3-2 Remove the MAIN circuit board. (See procedure 2.)
- 3-3 Remove the hexagonal nut and washer fixing the power switch, the AMP knob and the hexagonal nut underneath the AMP knob. (Fig. 4)
- 3-4 Remove the screw marked [16B]. The OPERATION (1) circuit board can then be removed. (Fig. 3)

2. メインシート (所要時間: 約 3 分)

- 2-1 トップカバー Ass'yを外します。(1 項参照)
- 2-2 [16A] のネジ 2 本、[17A] のネジ 2 本、[18] のネジを外し、MAIN シートを外します。(図 3)
- 2-3 MAIN シートの CB7、CB5、CB8、CB501 からカード電線と 3 つの束線を外します。(図 3)

3. OPERATION (1) シート (所要時間: 約 5 分)

- 3-1 トップカバー Ass'yを外します。(1 項参照)
- 3-2 MAIN シートを外します。(2 項参照)
- 3-3 電源スイッチ固定用の六角ナットとワッシャー、AMP ノブ、AMP ノブの下の六角ナットを外します。(図 4)
- 3-4 [16B] のネジを外し、OPERATION (1) シートを外します。(図 3)

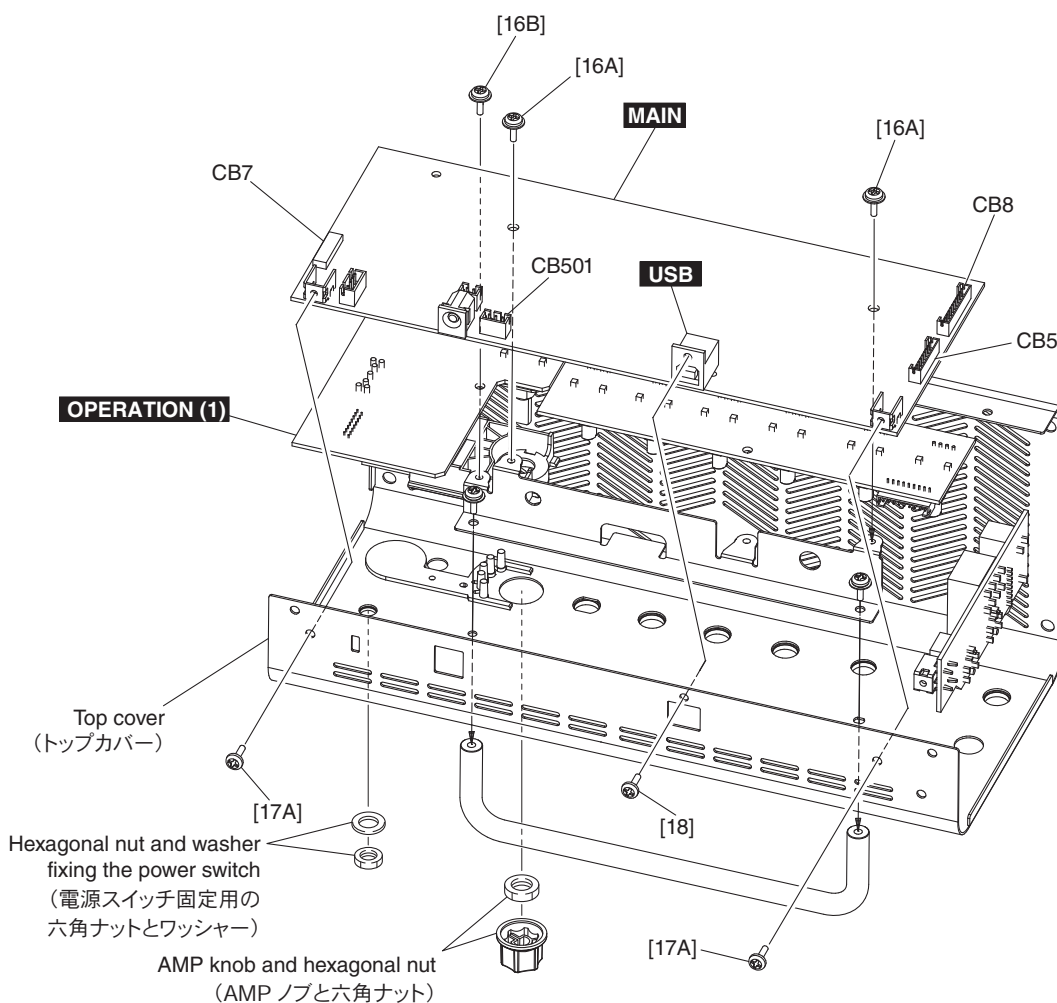


Fig. 3 (図 3)

4. OPERATION (2) Circuit Board (Time required: About 5 minutes)

- 4-1 Remove the top cover assembly. (See procedure 1.)
- 4-2 Remove the MAIN circuit board. (See procedure 2.)
- 4-3 Remove the six (6) knobs, six (6) hexagonal nuts and six (6) washers underneath each knob. (Fig. 4)
- 4-4 Remove the screw marked [16C]. The OPERATION (2) circuit board can then be removed. (Fig. 3)

5. OPERATION (3) Circuit Board (Time required: About 3 minutes)

- 5-1 Remove the top cover assembly. (See procedure 1.)
- 5-2 Remove the hexagonal nut and washer fixing INPUT jack, and screw marked [17B]. The OPERATION (3) circuit board can then be removed. (Fig. 3, 4)
- 5-3 Disconnect the connector assembly from CB5 on the MAIN circuit board. (Fig. 3)

4. OPERATION (2) シート (所要時間 : 約 5 分)

- 4-1 トップカバー Ass'y を外します。(1 項参照)
- 4-2 MAIN シートを外します。(2 項参照)
- 4-3 ノブ 6 個、各ノブの下の六角ナット 6 個とワッシャー 6 個を外します。(図 4)
- 4-4 [16C] のネジを外し、OPERATION (2) シートを外します。(図 3)

5. OPERATION (3) シート (所要時間 : 約 3 分)

- 5-1 トップカバー Ass'y を外します。(1 項参照)
- 5-2 INPUT ジャック固定用の六角ナットとワッシャー、[17B] のネジを外し、OPERATION (3) シートを外します。(図 3、4)
- 5-3 MAIN シートの CB5 から束線を外します。(図 3)

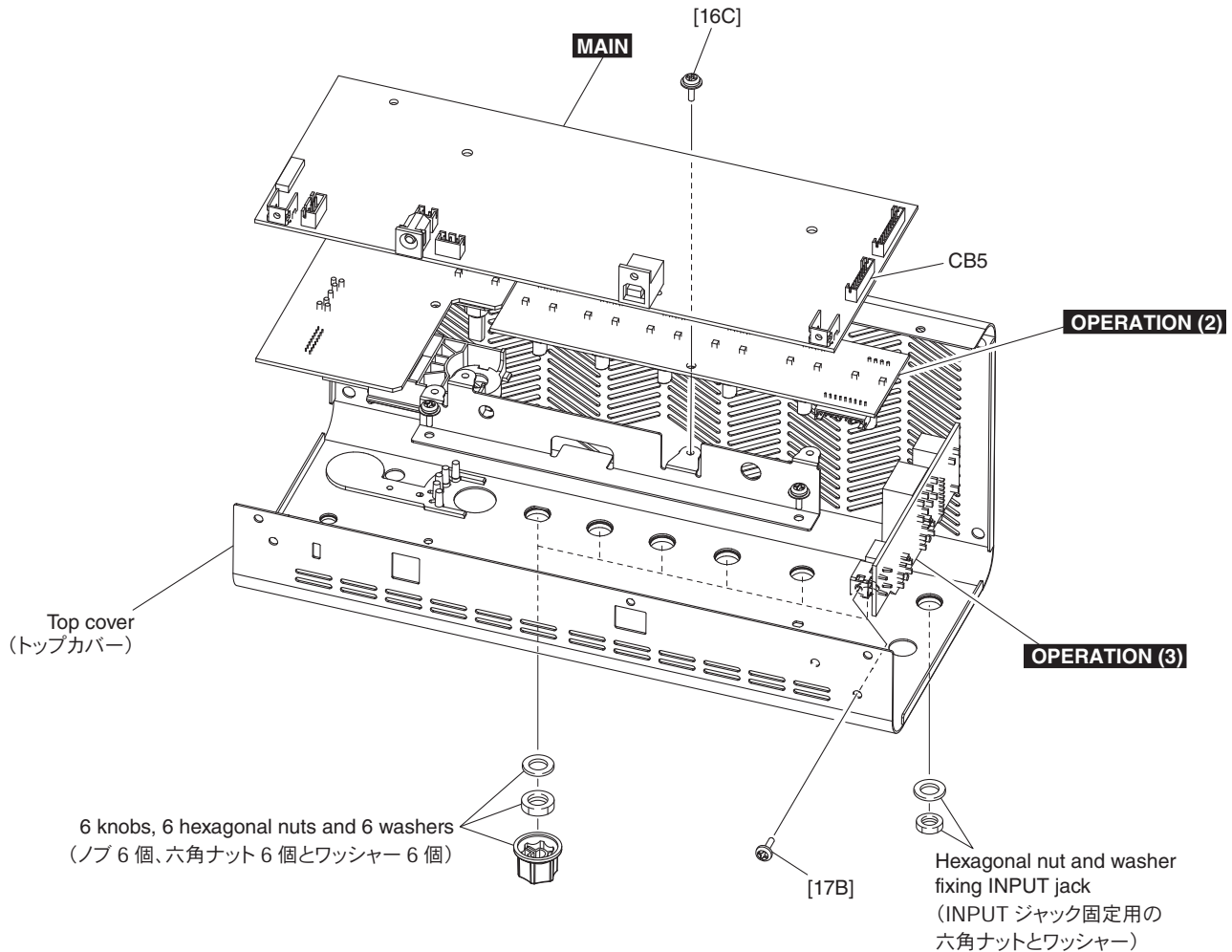


Fig. 4 (図 4)

THR5

6. SPEAKERS (Time required: About 3 minutes per each)

* The left and right speakers can be removed in the same manner.

- 6-1 Remove the top cover assembly. (See procedure 1.)
- 6-2 Remove the four (4) screws marked [52]. The speaker can then be removed. (Fig. 2)
- 6-3 Remove the cables from the speaker's terminals after unsoldering them.

6. スピーカー（所要時間：各約3分）

※ 左右のスピーカーは同じ方法で取り外すことができます。

- 6-1 トップカバー Ass'y を外します。（1項参照）
- 6-2 [52]のネジ4本を外し、スピーカーを外します。（図2）
- 6-3 スピーカーの端子からハンダを取り除いて線材を外します。

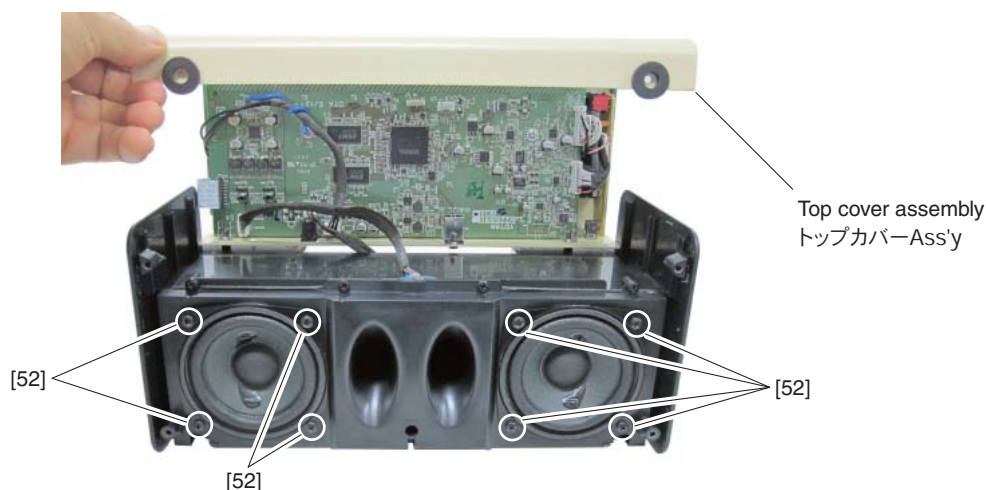


Fig. 5 (図 5)

Note: When connecting the cables to the speaker's terminals, be careful with cable's color. (Table 1.)

	Left speaker	Right speaker
+ terminal	Blue	Brown
- terminal	Black	Black

注： スピーカーの端子にケーブルを接続するときは、ケーブルの色に注意してください。

	左スピーカー	右スピーカー
+ 端子	青	茶
- 端子	黒	黒

■ CIRCUIT BOARDS (シート基板図)

CONTENTS (目次)

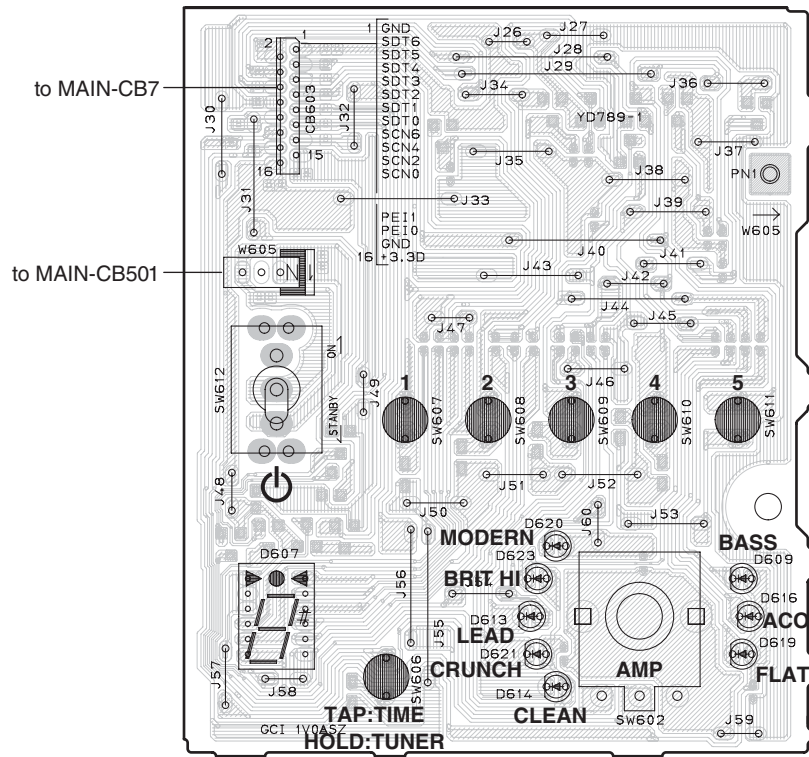
• MAIN Circuit Board	THR10	THR5	(YD788B0) 22/23
• OPERATION (1) Circuit Board	THR10		(YD789B0) 19
• OPERATION (2) Circuit Board	THR10		(YD789B0) 20
• OPERATION (3) Circuit Board	THR10		(YD789B0) 21
• OPERATION (4) Circuit Board	THR10		(YD789B0) 21
• OPERATION (1) Circuit Board		THR5	(YD790B0) 24
• OPERATION (2) Circuit Board		THR5	(YD790B0) 25
• OPERATION (3) Circuit Board		THR5	(YD790B0) 26
• OPERATION (4) Circuit Board		THR5	(YD790B0) 26

Note: See parts list for details of circuit board component parts.

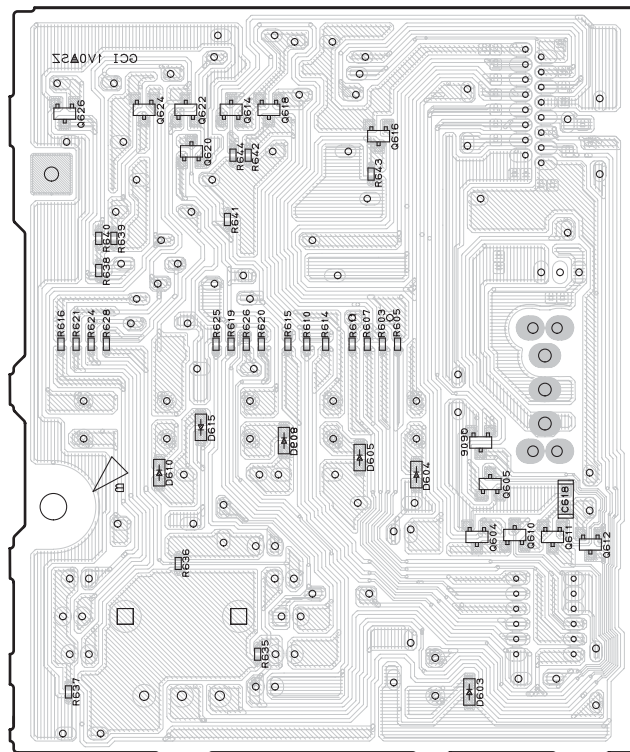
注： シートの部品詳細はパーツリストをご参照ください。

THR10

• OPERATION (1) Circuit Board

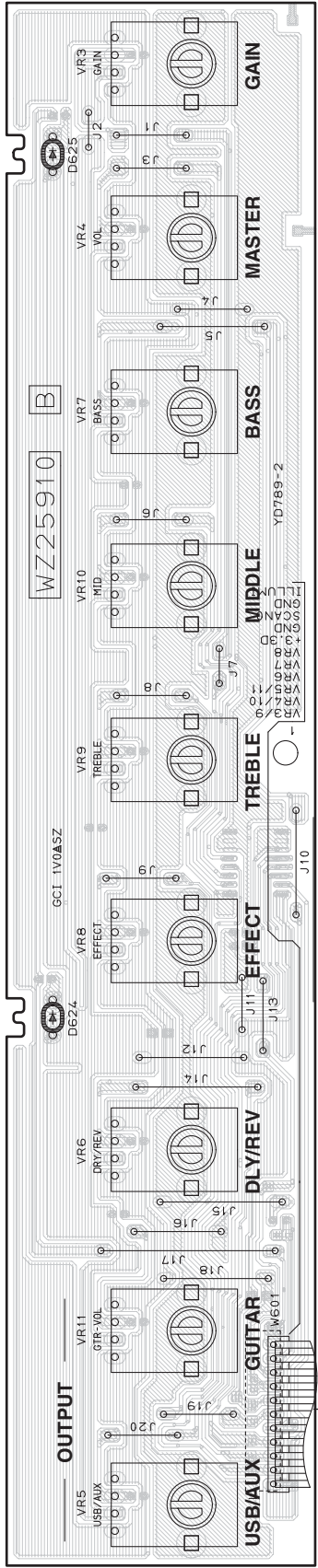


Component side (部品側)

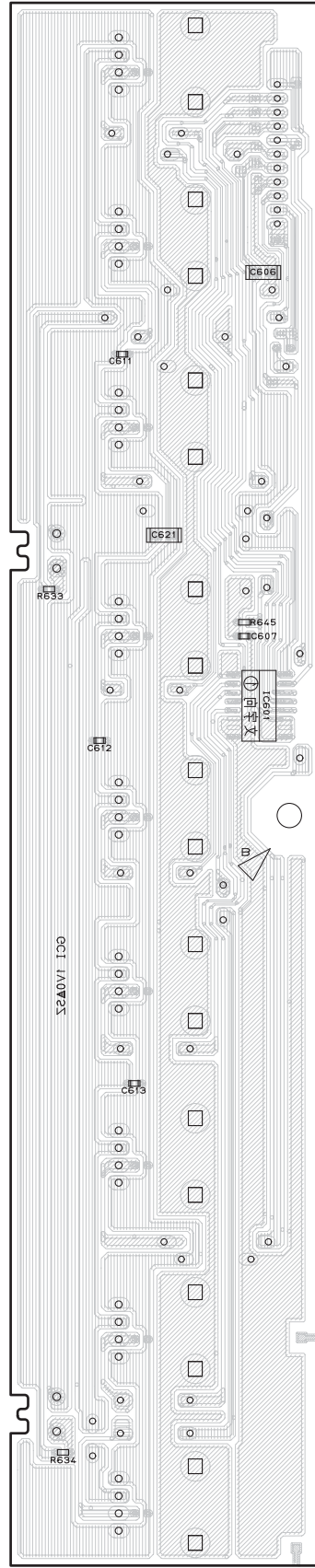


Pattern side (パターン側)

• OPERATION (2) Circuit Board



Component side (部品側)

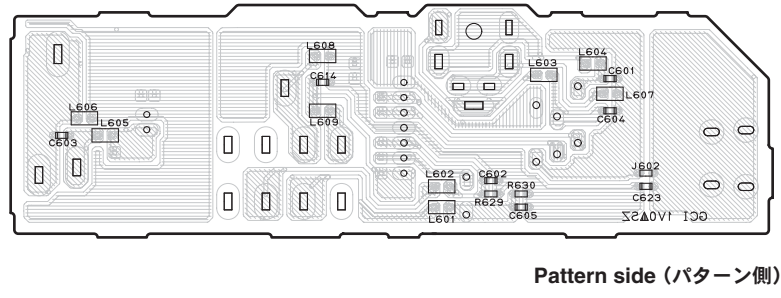
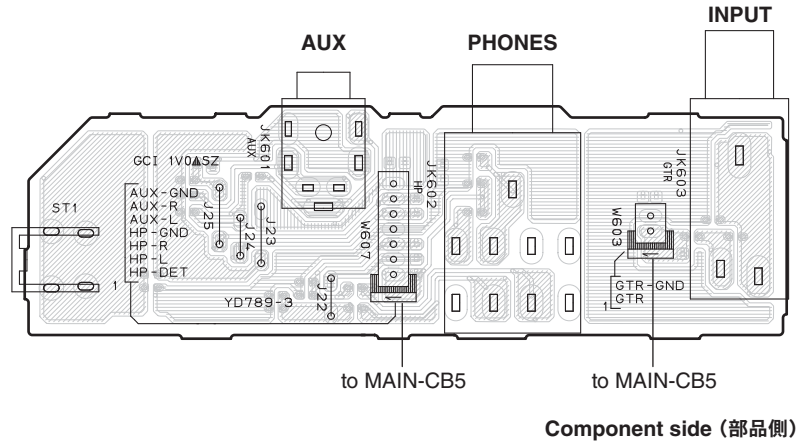


Pattern side (パターン側)

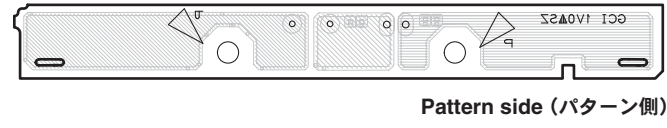
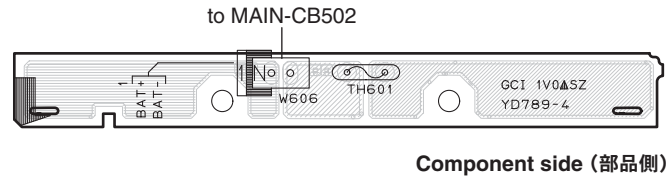
2NA-WZ25910

THR10

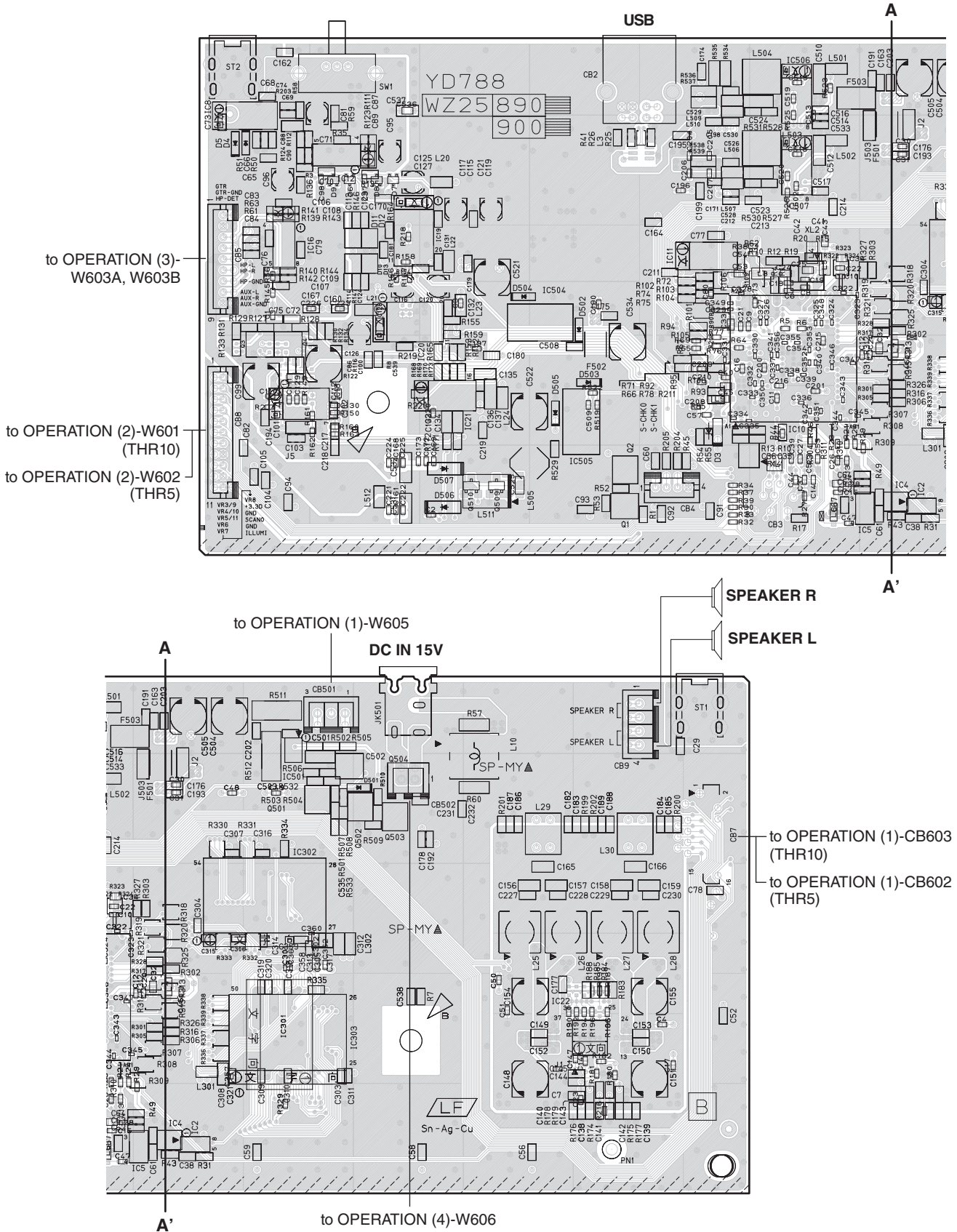
• OPERATION (3) Circuit Board



• OPERATION (4) Circuit Board



• MAIN Circuit Board



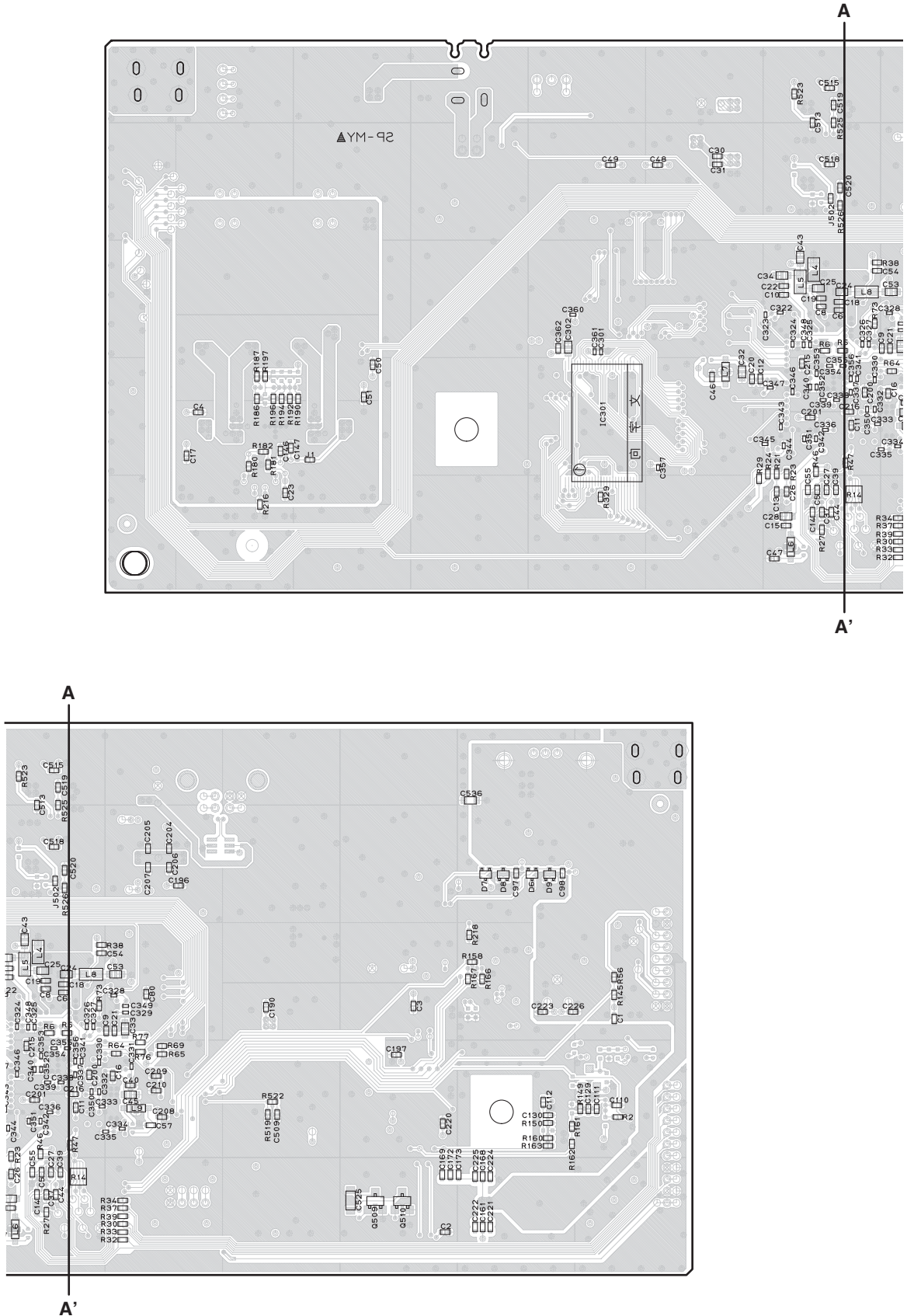
Component side (部品側)

2NA-WZ25890 (THR10) / 2NA-WZ25900 (THR5)

THR10

THR5

• MAIN Circuit Board

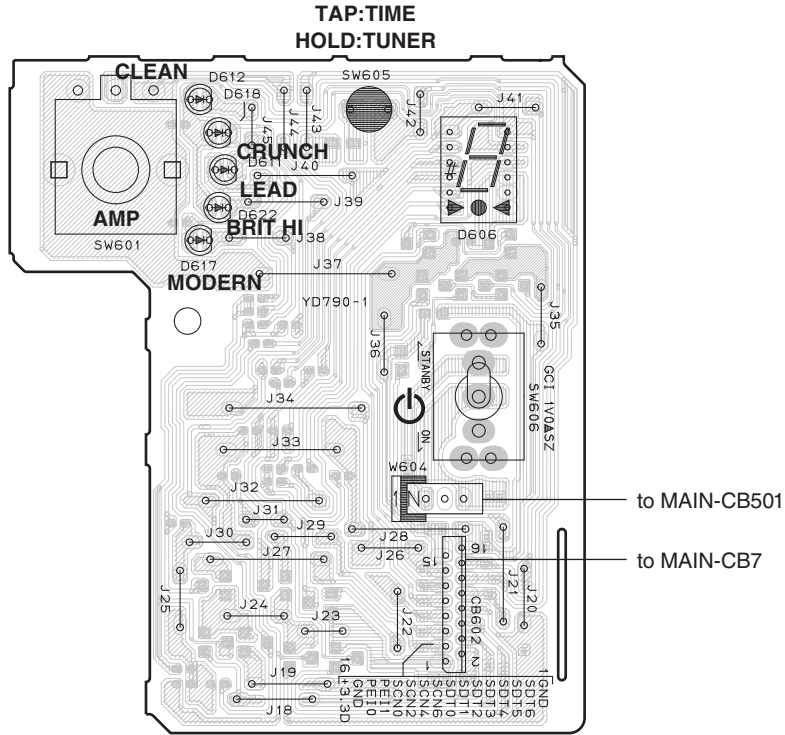


Pattern side (パターン側)

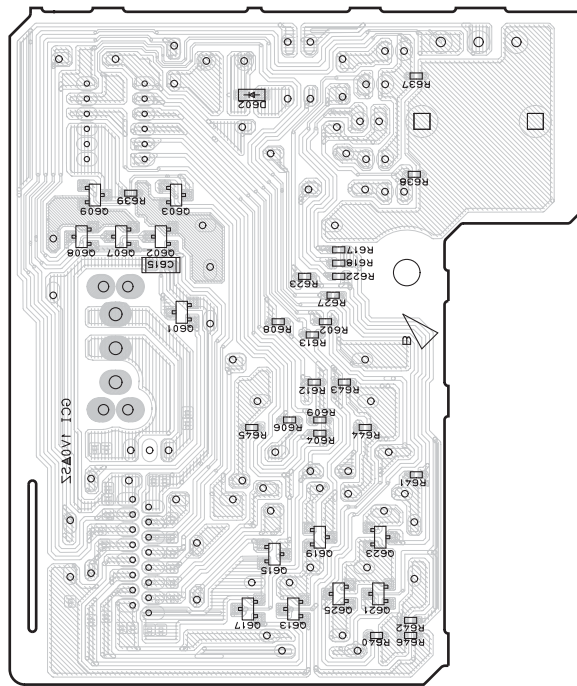
2NA-WZ25890 (THR10) / 2NA-WZ25900 (THR5)

THR5

• OPERATION (1) Circuit Board



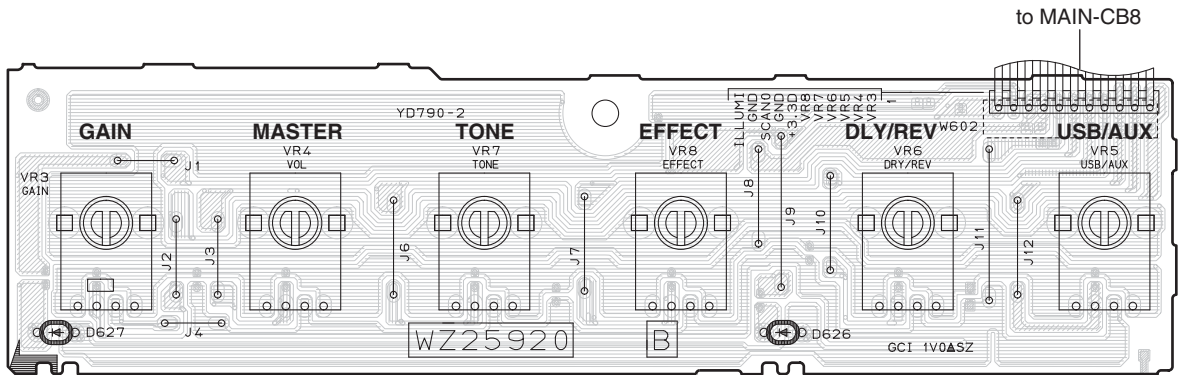
Component side (部品側)



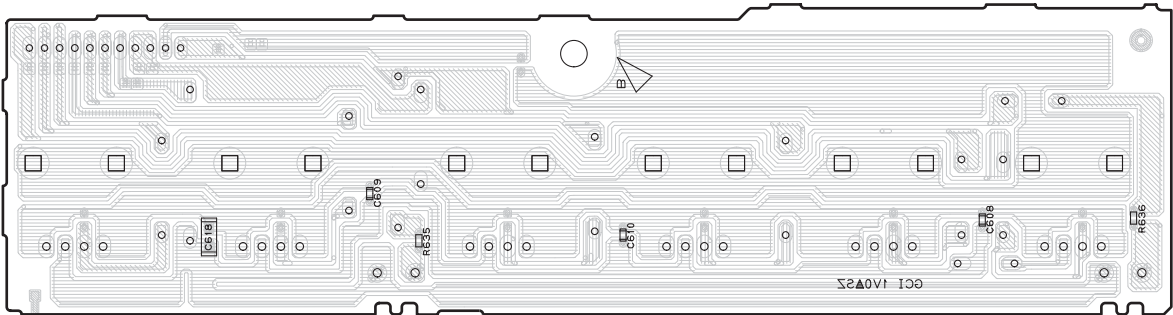
Pattern side (パターン側)

THR5

• OPERATION (2) Circuit Board



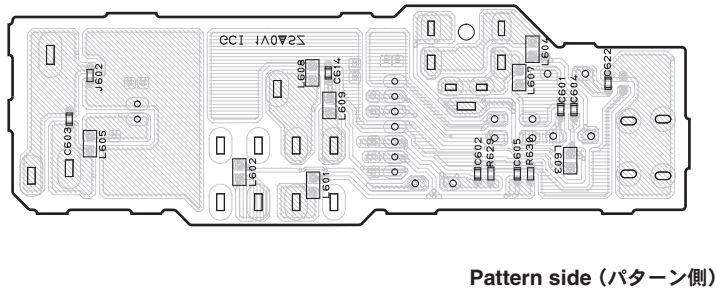
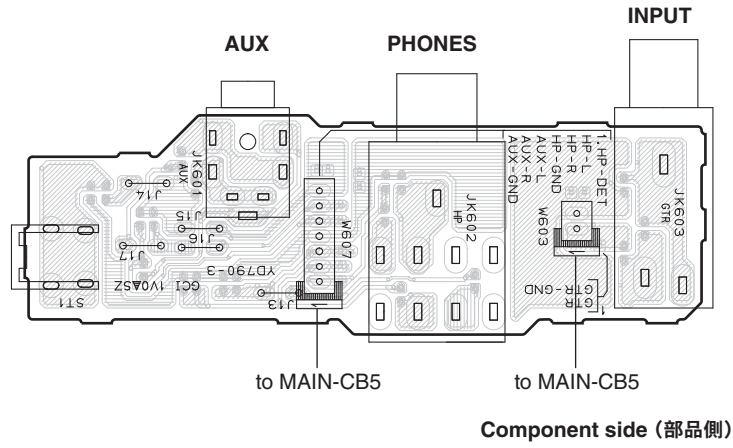
Component side (部品側)



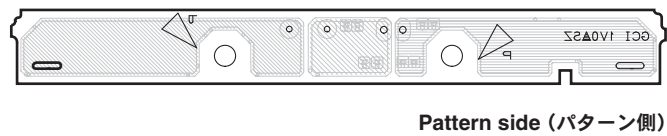
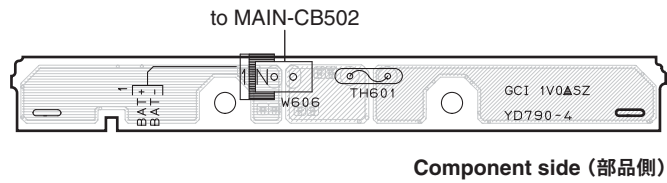
Pattern side (パターン側)

THR5

• OPERATION (3) Circuit Board



• OPERATION (4) Circuit Board



INSPECTIONS (検査)

Required items

- PC: Windows OS
- USB cable (supplied with this unit)
- AC adaptor (supplied with this unit)
- DC regulated power supply
(rated output current 1 A or more)
- Signal generator
- Oscilloscope

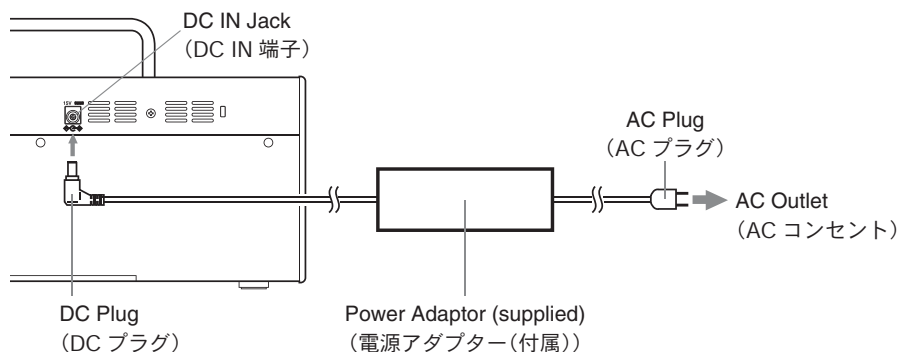
Preparation

Install the Yamaha Steinberg USB driver to the PC.

For details, refer to “Preparation 2. Installing YAMAHA Steinberg USB Driver” of “UPDATING FIRMWARE” on page 34.

Connection

Connect the AC adaptor to the DC IN 15V jack.



Outline of Test Procedure

The test procedure consists of 2 parts as follows.

- 1 to 9: Tests using the self-diagnostic function
- 10 to 13: Tests not using the self-diagnostic function

Starting Self-Diagnostic Function

While pressing the “TAP” key, turn the power switch to ON position and keep pressing the “TAP” key. When the LED display lights, press the “TAP” key 3 times before the LED display turns off.

The self-diagnostic function mode is activated, “0” is shown on the LED display and the LED test starts automatically.

Note:

The figures, shown on the LED display while pressing the “TAP” key, express the firmware version number.

The self-diagnostic function mode is not activated when the LED display turns off before pressing the “TAP” key 3 times.

In such a case, turn the power switch to OFF position once, and retry the starting operation.

必要なアイテム

- PC : Windows OS
- USB ケーブル (付属品)
- AC アダプター (付属品)
- DC 安定化電源 (定格出力電流 1A 以上)
- 信号発生器
- オシロスコープ

準備

Yamaha Steinberg USB ドライバーを PC にインストールします。

詳しくは、34 ページ「ファームウェアのアップデート」の「● 準備 “2. YAMAHA Steinberg USB ドライバーのインストール”」を参照してください。

接続

AC アダプターを DC IN 15V 端子に接続します。

検査方法の概要

検査は下記の 2 つの部分で構成されます。

- 1～9 : ダイアグを使用した検査
- 10～13 : ダイアグを使用しない検査

ダイアグの起動

“TAP” キーを押しながら電源スイッチを ON にし、さらに “TAP” キーを押し続けます。LED ディスプレイが点灯したら、消灯する前に “TAP” キーを 3 回押します。ダイアグが起動し、LED ディスプレイに “0” が表示され、LED 検査が自動的にスタートします。

注 :

“TAP” キーを押し続けている間に LED ディスプレイに表示される数字はファームウェアのバージョンナンバーです。

“TAP” キーを 3 回押す前に LED ディスプレイが消灯した場合、ダイアグは起動しません。

そのときは、一度電源スイッチを OFF にした後、起動操作をやり直してください。

● Test Items

1. LED Test

Confirm that the LEDs light automatically in the specified order as shown in fig. 1. And also confirm that the inside LEDs, near the front slit, light at the same time.

After this test is completed, "0" is shown on the LED display, and all the LEDs other than that turn off.

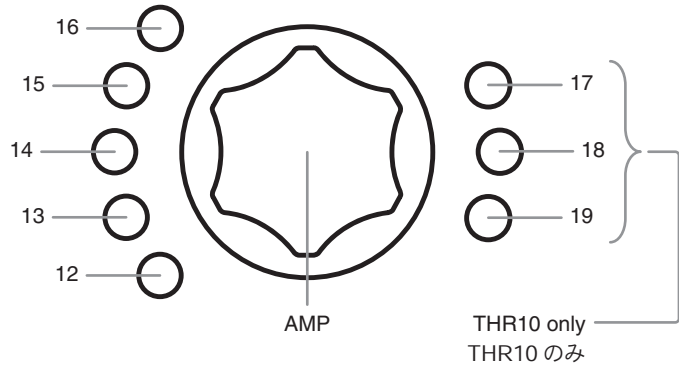
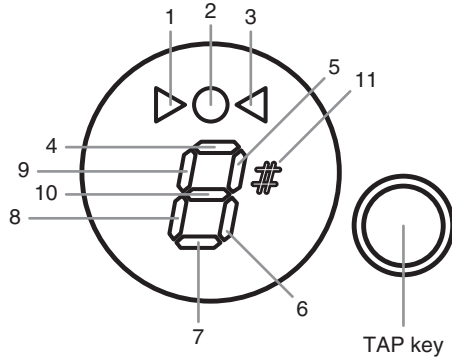
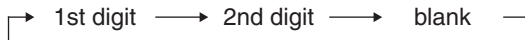


Fig. 1 (図 1)

2. Memory Test

After the LED test is completed, the memory test starts automatically.

The flash, EEPROM, CPU and DSP SDRAM are checked automatically, then the flash main part checksum lower 1byte, 2-digit hexadecimal notation, are shown on the LED display repeatedly as shown below.



When an error is detected, this test is stopped and the error number is shown on the LED display as shown below.

To proceed to the next test item with this test stopped, press the "TAP" key.

- F #: Flash read/write error
- E #: EEPROM read/write error
- C #: CPU SDRAM read/write error
- D #: DSP SDRAM read/write error

After this test is completed, press the "TAP" key to proceed to the next test item.

● 検査項目

1. LED 検査

LED が自動的に図 1 に示す順番で点灯することを確認します。

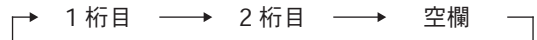
また、同時にフロントスリット内側の LED が点灯することを確認します。

本検査終了後、LED ディスプレイに "0" が表示され、それ以外の LED はすべて消灯します。

2. メモリー検査

LED 検査終了後、メモリー検査が自動的にスタートします。

Flash、EEPROM、CPU、DSP SDRAM を自動的に検査し、Flash メイン部のチェックサム下位 1 バイト、2 桁の 16 進数、が LED ディスプレイに繰り返し下記のように表示されます。



エラーが発生した場合、本検査は停止し、LED ディスプレイにエラー番号が下記のように表示されません。

停止状態において次の検査項目に進む場合は、"TAP" キーを押します。

- F # : Flash 読み出し／書き込みエラー
- E # : EEPROM 読み出し／書き込みエラー
- C # : CPU SDRAM 読み出し／書き込みエラー
- D # : DSP SDRAM 読み出し／書き込みエラー

本検査終了後、"TAP" キーを押して次の検査項目に進みます。

3. Switch Test (THR10 only)

When this test is started, “1” is shown on the LED display and the “CLEAN” LED lights.

Press the USER MEMORY switches 1 through 5 in numerical order and confirm that the corresponding LED lights.

Switch	LED	LED display
INITIAL STATE	CLEAN	“1”
USER MEMORY 1	CRUNCH	“1”
USER MEMORY 2	LEAD	“1”
USER MEMORY 3	BRIT HI	“1”
USER MEMORY 4	MODERN	“1”
USER MEMORY 5	CLEAN	“2”

To cancel this test, press the “TAP” key to proceed to the next test item.

After this test is completed, it proceeds to the next test item automatically.

4. AMP Test

When this test is started, “2” is shown on the LED display and the “CLEAN” LED lights.

Turn the “AMP” knob in 12 detents clockwise and confirm that the LED lights one by one clockwise with knob’s turning.

Turn the “AMP” knob in 12 detents counterclockwise and confirm that the LED lights one by one counterclockwise with knob’s turning.

After this test is completed, press the “TAP” key to proceed to the next test item.

5. Volume Test

When this test is started, “3” is shown on the LED display.

Set all the volume knobs to the CENTER position. “4” is shown on the LED display.



Operate the volume knobs in the specified order as shown in table 1 and confirm that the LED display shows as shown in table 1.

To cancel this test, press the “TAP” key to proceed to the next test item.

After this test is completed, it proceeds to the next test item automatically.

3. スイッチ検査 (THR10 のみ)

本検査スタート時、LED ディスプレイには “1” が表示され、“CLEAN” LED が点灯しています。

USER MEMORY スイッチを順に 1 から 5 まで押し、対応する LED が点灯することを確認します。

スイッチ	LED	LED ディスプレイ表示
INITIAL STATE	CLEAN	“1”
USER MEMORY 1	CRUNCH	“1”
USER MEMORY 2	LEAD	“1”
USER MEMORY 3	BRIT HI	“1”
USER MEMORY 4	MODERN	“1”
USER MEMORY 5	CLEAN	“2”

本検査をパスして次の検査項目に進む場合は、“TAP” キーを押します。

本検査終了後、自動的に次の検査項目に進みます。

4. アンブ検査

本検査スタート時、LED ディスプレイには “2” が表示され、“CLEAN” LED が点灯しています。

“AMP” ツマミを右回りに 12 クリック回転させ、それに伴い LED が右回りに順に点灯することを確認します。

“AMP” ツマミを左回りに 12 クリック回転させ、それに伴い LED が左回りに順に点灯することを確認します。

本検査終了後、“TAP” キーを押して次の検査項目に進みます。

5. ボリューム検査

本検査スタート時、LED ディスプレイには “3” が表示されます。

すべてのボリュームツマミを CENTER の位置に設定します。

LED ディスプレイに “4” が表示されます。

表 1 に示された順にボリュームツマミを操作し、表 1 の通りに LED ディスプレイに示されることを確認します。

本検査をパスして次の検査項目に進む場合は、“TAP” キーを押します。

本検査終了後、自動的に次の検査項目に進みます。

THR10

THR5

THR10

THR5

Table 1 (表 1)

Order	Volume Operation		LED Display
1	Initial Sate		4
2	GAIN	MIN.	4
3		MAX.	4
4		CENTER	5
5	MASTER	MIN.	5
6		MAX.	5
7		CENTER	6
8	BASS	MIN.	6
9		MAX.	6
10		CENTER	7
11	MIDDLE	MIN.	7
12		MAX.	7
13		CENTER	8
14	TREBLE	MIN.	8
15		MAX.	8
16		CENTER	9
17	EFFECT	MIN.	9
18		MAX.	9
19		CENTER	A
20	DLY/REV	MIN.	A
21		MAX.	A
22		CENTER	b
23	GUITAR	MIN.	b
24		MAX.	b
25		CENTER	c
26	USB/AUX	MIN.	c
27		MAX.	c
28		CENTER	d

Table 1 (表 1)

Order	Volume Operation		LED Display
1	Initial Sate		4
2	GAIN	MIN.	4
3		MAX.	4
4		CENTER	5
5	MASTER	MIN.	5
6		MAX.	5
7		CENTER	6
8	TONE	MIN.	6
9		MAX.	6
10		CENTER	9
11	EFFECT	MIN.	9
12		MAX.	9
13		CENTER	A
14	DLY/REV	MIN.	A
15		MAX.	A
16		CENTER	c
17	VOLUME	MIN.	c
18		MAX.	c
19		CENTER	d

THR10

THR5

6. Sound Test with Input

Confirm that the “d” is shown on the LED display.
Input the 20 Hz to 20 kHz sweep signal (sweep time 2 sec/one way), 0.15 V (THR5)/0.12 V (THR10) sine wave to the AUX jack.

Listen to the output sounds from the speakers at 0.5 m away from this unit and confirm that the distortion, resonance, rattle, air-turbulent, rub & buzz noise and air-leak from all joints can not be heard.

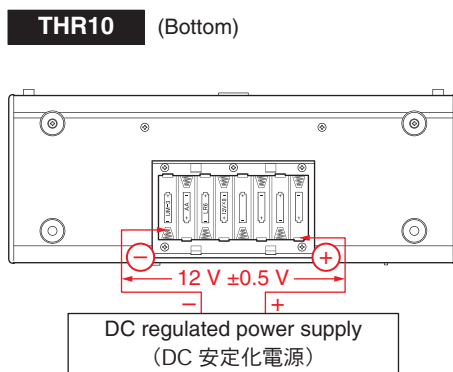
7. Phase Test

Confirm that the “d” is shown on the LED display.
Input the 1 kHz, 0.15 V (THR5)/0.12 V (THR10) sine wave to the AUX jack.

Confirm that the phase of the PHONES output signal is inverted against the input signal.

8. Battery Test

Confirm that the “d” is shown on the LED display.
Remove the battery cover.
Connect the DC regulated power supply, which is set to 12 V \pm 0.5 V, to the battery terminals “+” and “-”.
Remove the AC adaptor from the DC IN 15V jack.
Confirm that “E” is shown on the LED display.



To cancel this test, press the “TAP” key to proceed to the next test item

After this test is completed, it proceeds to the next test item automatically.

9. Power OFF Path Test

Confirm that the “E” is shown on the LED display.
Press the “TAP” key.
Confirm that the LED display turns off.
Turn the power switch to OFF position.
All the tests using the self-diagnostic function are completed here.

6. 入力ビリツキ音検査

LED ディスプレイに “d” が表示されていることを確認します。

AUX 端子に、20 Hz ～ 20 kHz スイープ信号(スイープ片道 2 秒)、0.15 V (THR5) / 0.12 V (THR10) 正弦波を入力します。

本機から 0.5m 離れたところでスピーカー出力音を聴き、歪・共振・乱気流音・各種異音・空気漏れがないことを確認します。

7. 位相検査

LED ディスプレイに “d” が表示されていることを確認します。

AUX 端子に、1 kHz、0.15 V (THR5) / 0.12 V (THR10) 正弦波を入力します。

PHONES 出力信号が入力信号に対して逆相であることを確認します。

8. バッテリー検査

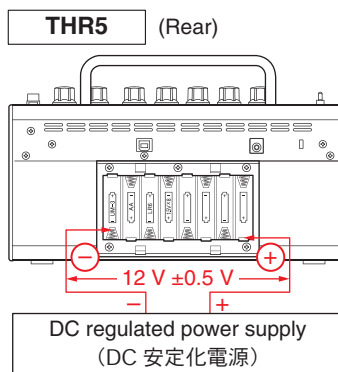
LED ディスプレイに “d” が表示されていることを確認します。

バッテリーカバーを外します。

バッテリー端子 “+” と “-” の間に 12 V \pm 0.5 V に設定した DC 安定化電源を接続します。

DC IN 15V 端子から AC アダプターを外します。

LED ディスプレイに “E” が表示されることを確認します。



本検査をパスして次の検査項目に進む場合は、“TAP” キーを押します。

本検査終了後、自動的に次の検査項目に進みます。

9. パワーダウン経路検査

LED ディスプレイに “E” が表示されることを確認します。

“TAP” キーを押します。

LED ディスプレイが消灯することを確認します。

電源スイッチを OFF にします。

ダイアグによる検査はここで終了します。

10. Output Test with USB Input

Note:

Set the PC for this test properly in advance. (See “Preparation”)

Connect the USB jack of this unit to the USB jack of the PC with an USB cable.

Turn the power switch to ON position.

Start the windows media player and playback the music file.

Confirm that the playback music signals are output from the speakers.

Turn the “USB/AUX” knob clockwise, and confirm that the output sounds increase. (THR10 only)

Turn the “USB/AUX” knob counterclockwise, confirm that the output sounds decrease. (THR10 only)

Note:

On the THR5, use the volume control on the PC to adjust the audio volume.

Turn the power switch to OFF position.

Remove the USB cable.

11. Output Test with AUX Input

Turn the power switch to ON position.

Input the music signal to the AUX jack. Confirm that the music signals are output from the speakers.

Turn the “USB/AUX” knob clockwise and confirm that the output sounds increase. (THR10 only)

Turn the “USB/AUX” knob counterclockwise and confirm that the output sounds decrease. (THR10 only)

Note:

On the THR5, use the volume control on the PC to adjust the audio volume.

12. Headphones Output Test

With the connection kept for “11. Output Test with AUX Input”, connect the headphones to the PHONES jack.

Confirm that the music is output from the headphones and is not out put from the speakers.

Turn the “USB/AUX” knob clockwise and confirm that the output sounds increase. (THR10 only)

Turn the “USB/AUX” knob counterclockwise and confirm that the output sounds decrease. (THR10 only)

Note:

On the THR5, use the volume control on the PC to adjust the audio volume.

Remove the headphones from the PHONES jack.

10. USB 入出力検査

注：

あらかじめ PC を本検査用に正しく設定してください。（“準備” 参照）

本機の USB 端子と PC の USB 端子を USB ケーブルで接続します。

電源スイッチを ON にします。

ウィンドウズメディアプレーヤーを起動し、音楽ファイルを再生します。

スピーカーから再生音が出力されることを確認します。

“USB/AUX” ツマミを時計周りに回転し、出力音が大きくなることを確認します。（THR10 のみ）

“USB/AUX” ツマミを反時計周りに回転し、出力音が小さくなることを確認します。（THR10 のみ）

注：

THR5 では、オーディオの音量調整は PC 側で行ってください。

電源スイッチを OFF にします。

USB ケーブルを外します。

11. AUX 入出力検査

電源スイッチを ON にします。

AUX 端子に音楽信号を入力し、スピーカーからその音楽信号が出力されることを確認します。

“USB/AUX” ツマミを時計周りに回転し、出力音が大きくなることを確認します。（THR10 のみ）

“USB/AUX” ツマミを反時計周りに回転し、出力音が小さくなることを確認します。（THR10 のみ）

注：

THR5 では、オーディオの音量調整は PC 側で行ってください。

12. ヘッドホン出力検査

AUX 入出力検査の接続のままで、PHONES 端子にヘッドホン接続します。

ヘッドホンから音楽信号が出力されること、スピーカーから出力されないこと確認します。

“USB/AUX” ツマミを時計周りに回転し、出力音が大きくなることを確認します。（THR10 のみ）

“USB/AUX” ツマミを反時計周りに回転し、出力音が小さくなることを確認します。（THR10 のみ）

注：

THR5 では、オーディオの音量調整は PC 側で行ってください。

ヘッドホンを PHONES 端子から外します。

THR10

THR5

13. Output Test with GUITAR Input

Set the volume knobs as shown below.

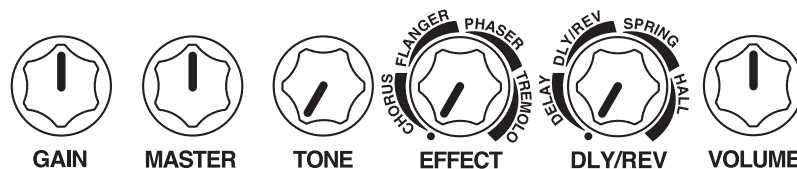
13. INPUT 入出力検査

下記のようにボリュームツマミを設定します。

THR10



THR5



Input the music signal to the INPUT jack and confirm that the music signal is output from the speakers.

Turn the volume knobs respectively and confirm that they functions properly as shown below.

INPUT 端子に音楽信号を入力し、スピーカーからその音楽信号が出力されることを確認します。

各ボリュームツマミを回転させ、下記のように正しく機能することを確認します。

THR10

* Only when AMP is set to ACO, GAIN adjusts STEREO ↔ MONO.

THR10

* AMP が ACO に設定されているときだけ、GAIN は STEREO ↔ MONO の調節となります。

	by turning counterclockwise	by turning clockwise
GAIN *		
MASTER	Sounds volume decrease	Sounds volume increase
GUITAR		
BASS	Low-frequency area decrease	Low-frequency area increase
MIDDLE	Middle-frequency area decrease	Middle-frequency area increase
TREBLE	High-frequency area decrease	High-frequency area increase

	反時計方向に回転	時計方向に回転
GAIN *		
MASTER	音量減少	音量増大
GUITAR		
BASS	低域減少	低域増大
MIDDLE	中域減少	中域増大
TREBLE	高域減少	高域増大

EFFECT	Tones change in 4 steps by turning the EFFECT knob.
AMP	Tones change in 8 steps by turning the AMP knob.
DLY/REV	Connect the microphone to the INPUT jack. Tap on the microphone lightly and confirm that the reverberations change in 4 steps by turning the DLY/REV knob.

EFFECT	音質が4段階に変化
AMP	音質が8段階に変化
DLY/REV	INPUT 端子にマイクを接続し、マイクを軽く叩いたときの残響音が4段階に変化すること

THR5

THR5

	by turning counterclockwise	by turning clockwise
GAIN		
MASTER	Sounds volume decrease	Sounds volume increase
VOLUME		

	反時計方向に回転	時計方向に回転
GAIN		
MASTER	音量減少	音量増大
VOLUME		

TONE	Tones change by turning the TONE knob.
EFFECT	Tones change in 4 steps by turning the EFFECT knob.
AMP	Tones change in 5 steps by turning the AMP knob.
DLY/REV	Connect the microphone to the INPUT jack. Tap on the microphone lightly and confirm that the reverberations change in 4 steps by turning the DLY/REV knob.

TONE	音質が変化
EFFECT	音質が4段階に変化
AMP	音質が5段階に変化
DLY/REV	INPUT 端子にマイクを接続し、マイクを軽く叩いたときの残響音が4段階に変化すること

■ UPDATING FIRMWARE (ファームウェアのアップデート)

● Confirmation of firmware version

Before and after updating the firmware, check the firmware version by the procedure below.

While pressing the "TAP" key, turn the power switch to ON position and keep pressing the "TAP" key. The firmware version is shown in 3-digit on the LED display. Write it down.

* When the firmware version is different from written one after updating, perform the updating procedure again from the beginning.

● Required items

- PC: Windows OS
- USB cable (supplied with this unit)
- AC adaptor (supplied with this unit)

● Preparation

1. Downloading Firmware

Access the following website and download the latest version of the firmware.

URL >>

<http://plaza.yamaha.co.jp/ysiss/exindex.nsf>

2. Installing YAMAHA Steinberg USB Driver

2-1 Access the following website and download the latest version of the YAMAHA Steinberg USB Driver.

<http://download.yamaha.com>

2-2 Install the Yamaha Steinberg USB Driver to the PC.

● ファームウェアのバージョンの確認

ファームウェアのアップデートの前後に、ファームウェアのバージョンを下記の手順で確認します。

"TAP" キーを押しながら電源スイッチを ON にし、さらに "TAP" キーを押し続けると、LED ディスプレイにバージョンナンバーが 3 桁で表示されます。それを書きとめます。

※ アップデート後、ファームウェアのバージョンが書き込まれたものと異なる場合、アップデートの操作を最初からやり直してください。

● 必要なアイテム

- PC : Windows OS
- USB ケーブル (付属品)
- AC アダプター (付属品)

● 準備

1. ファームウェアのダウンロード

以下の URL から、最新のファームウェアをダウンロードします。

URL >>

<http://plaza.yamaha.co.jp/ysiss/index.nsf>

2. YAMAHA Steinberg USB ドライバーのインストール

2-1 以下の URL から、最新の YAMAHA Steinberg USB ドライバーをダウンロードします。

<http://download.yamaha.com>

2-2 Yamaha.Steinberg.USB ドライバーを PC にインストールします。

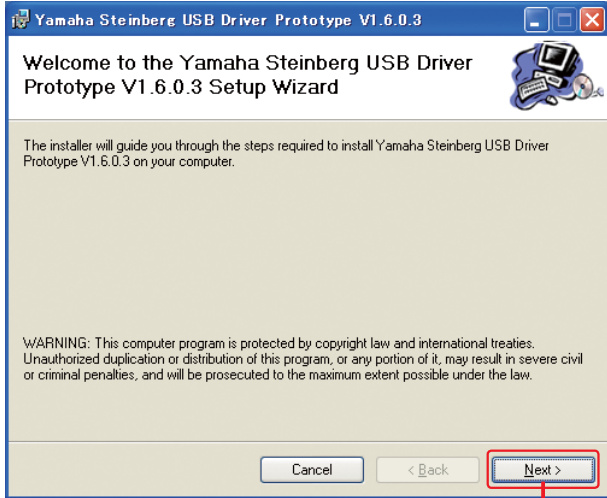


Double Click

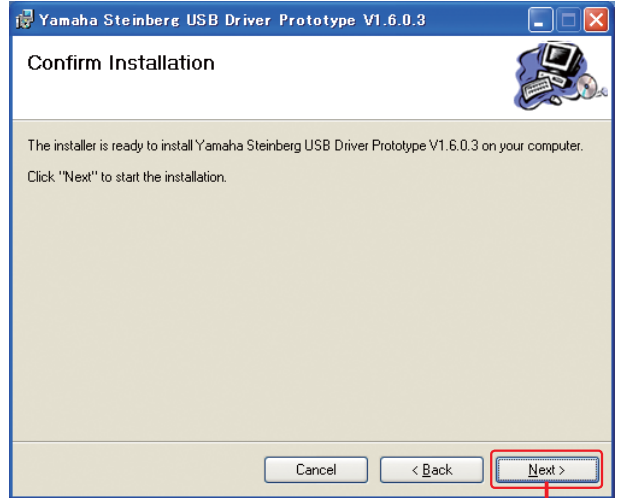


THR10

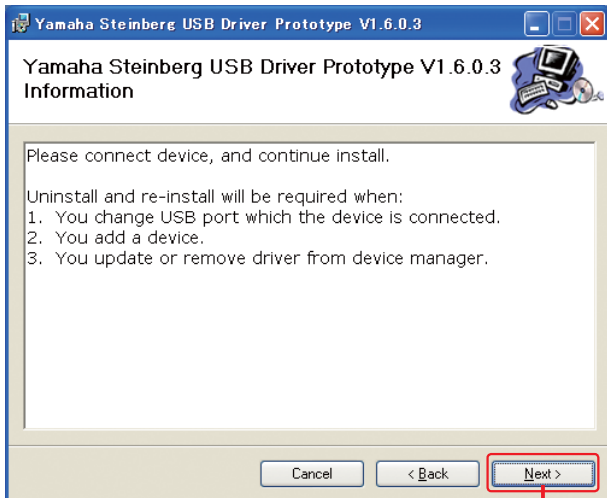
THR5



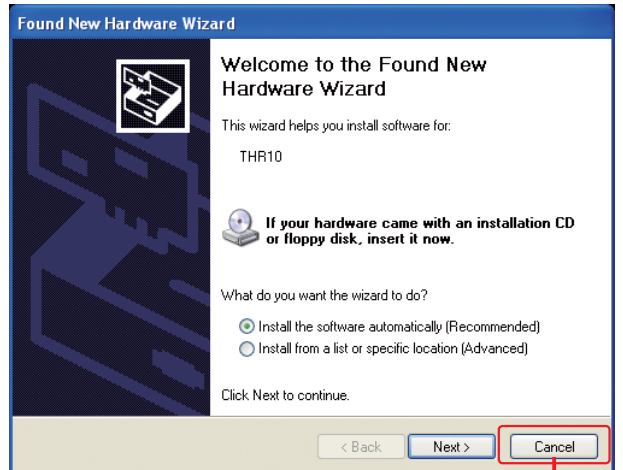
Connect the USB cable to the PC and click "NEXT >"



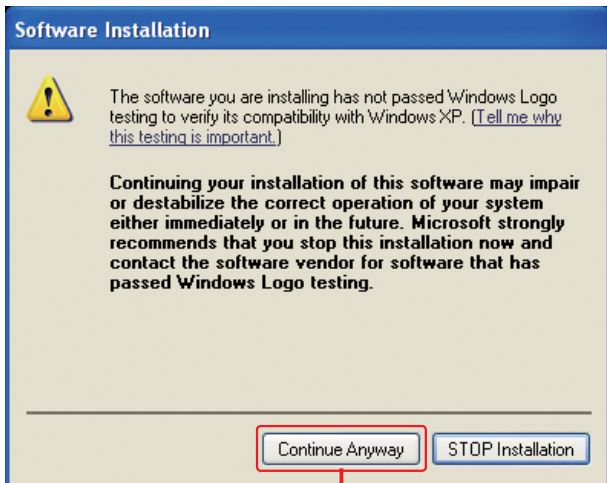
Click



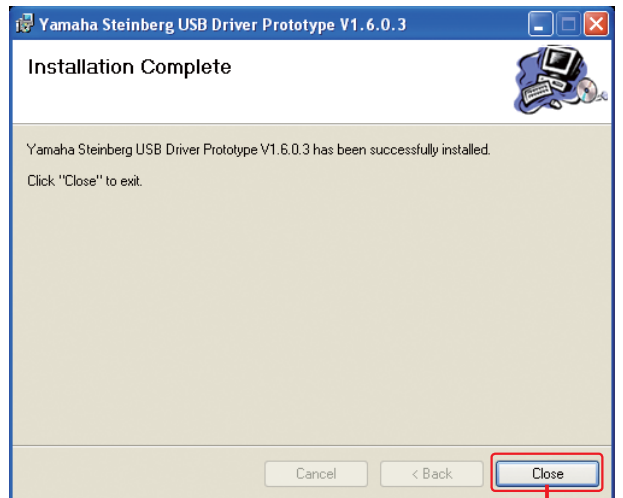
Click



Click



Click



Click

3. Installing YAMAHA MidRadio Player

Note:

The YAMAHA MidRadio Player is only in Japanese, **not in English**.

- 3-1 Access the following website and download the latest version of the YAMAHA MidRadio Player.

<http://download.music-eclub.com/midradio/download.php>

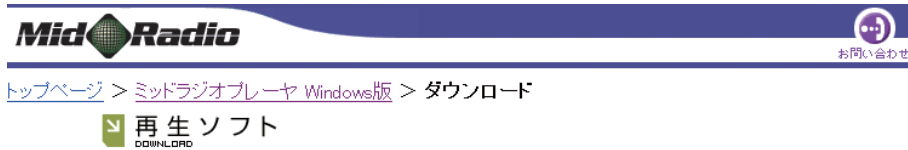
3. YAMAHA MidRadio Player のインストール

注：

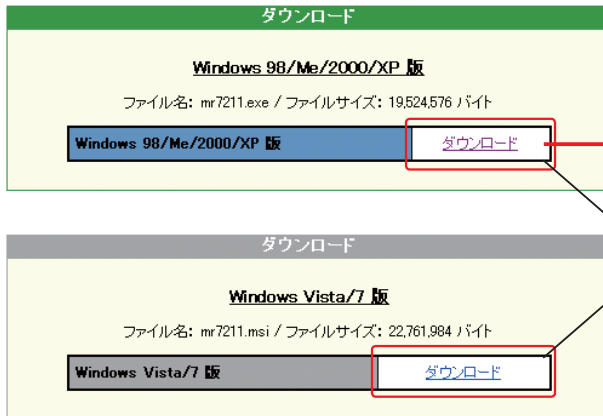
YAMAHA MidRadio Player は日本語版のみで英語版はありません。

- 3-1 以下の URL から、最新の YAMAHA MidRadio Player をダウンロードします。

<http://download.music-eclub.com/midradio/download.php>

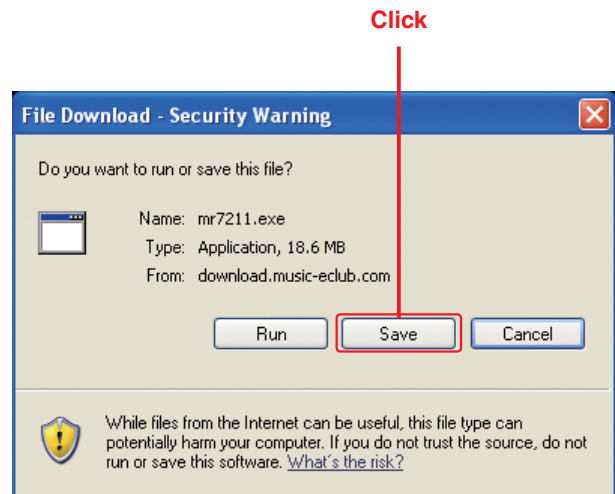


ミッドラジオプレーヤ (Windows/Ver 7.21)



Click
Means "Download"

Make a choice according to the Windows version of your PC.
使っている Windows のバージョンに合わせて選んでください。

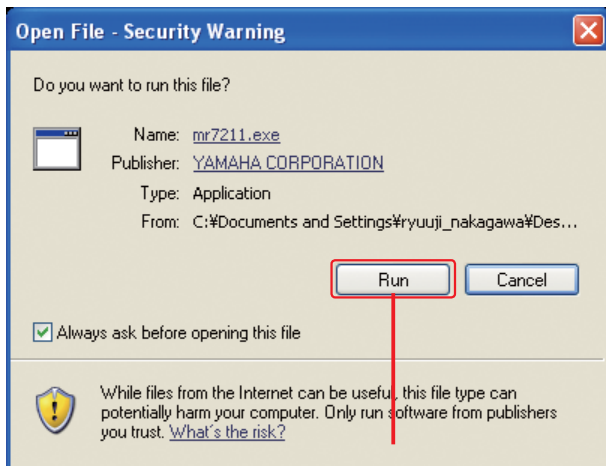
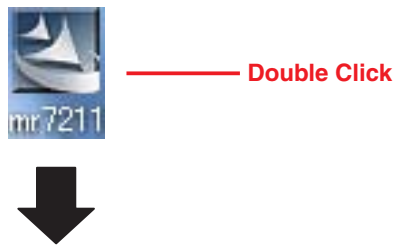


THR10

THR5

3-2 Install the YAMAHA MidRadio Player to the PC.

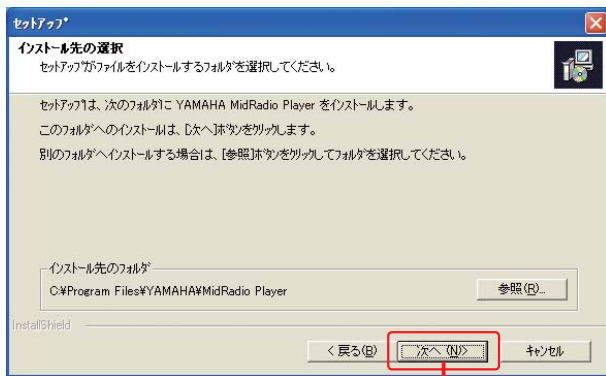
3-2 Yamaha.MidRadio Player を PC にインストールします。



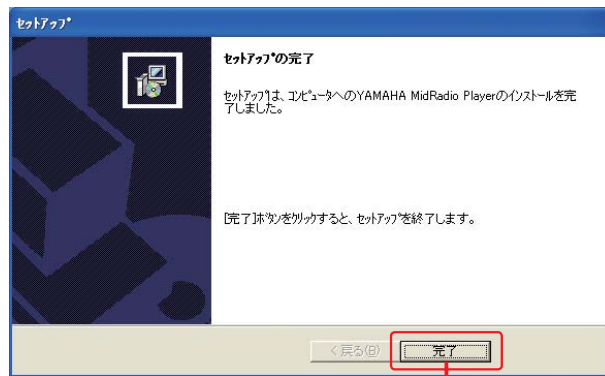
Click



Click
Means "Next"



Click
Means "Next"



Click
Means "Completion"

● **Connection**

Connect the USB jack of this unit to the USB jack of the PC with an USB cable.

● **Operation Procedures**

1. <Operation on the PC>

- 1-1 Double click the icon of Yamaha.MidRadio Player.
- 1-2 Click “ファイル”
- 1-3 Click “ファイルを開く”
- 1-4 Select the firmware file and click it.
- 1-5 Click “開く”
- 1-6 Click “■” to stop playback once.

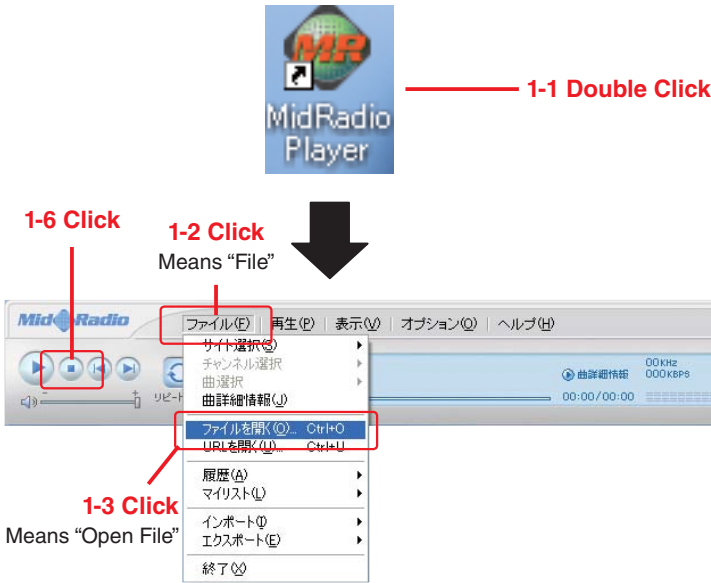
● **接続**

本機の USB 端子を PC の USB 端子に USB ケーブルで接続します。

● **操作手順**

1. < PC の操作 >

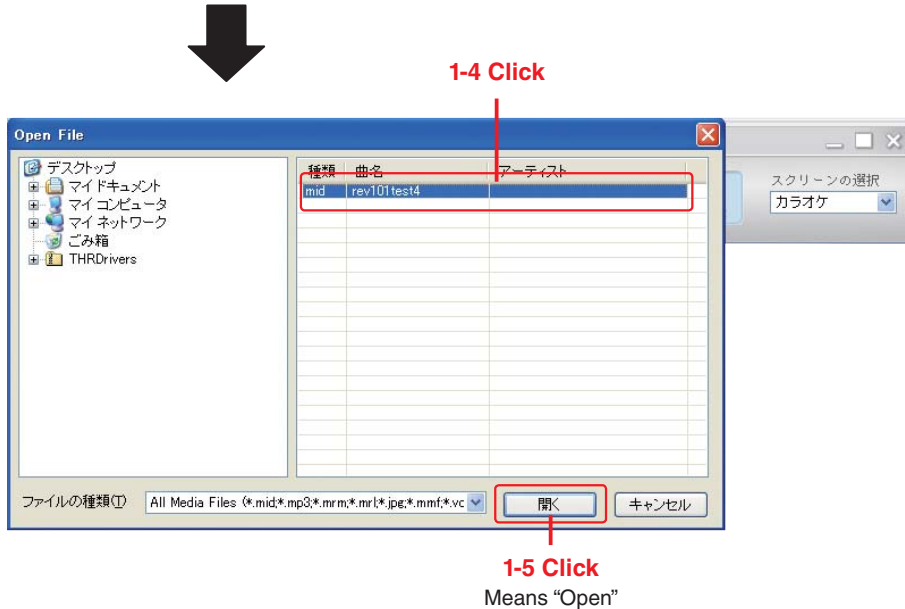
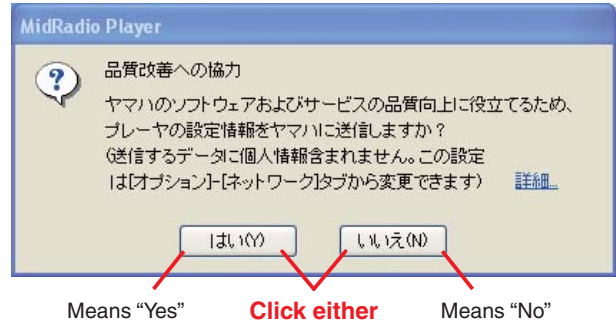
- 1-1 Yamaha.MidRadio Player のアイコンをダブルクリックします。
- 1-2 “ファイル” をクリックします。
- 1-3 “ファイルを開く” をクリックします。
- 1-4 ファームウェアを選び、クリックします。
- 1-5 “開く” をクリックします。
自動的に再生が始まります。
- 1-6 “■” を押していったん再生を止めます。



Only when you first start, you will see the screen below. Japanese meaning is as follows.

Cooperation in quality improvement

To help improve the quality of software and services of Yamaha, do you transmit setting information of your player to Yamaha?
(Data to be transmitted does not contain personal information. This setting can be changed by [Option] – [network] tab).



2. <Operation on this unit>

While pressing the “TAP” key, turn the power switch to ON position and keep pressing the “TAP” key. When the LED display lights, press the “TAP” key 5 times before the LED display turns off.

The update mode is activated in about 6 seconds and “U” is shown on the LED display.

Note:

The update mode is not activated when the LED display turns off before pressing the “TAP” key 5 times. In such a case, turn the power switch to OFF position once, and retry above operation.

3. <Operation on the PC>

- 3-1 Click “オプション”.
- 3-2 Click “MIDI 出力先の選択”.
- 3-3 Click “再生” tag.
- 3-4 Click “MIDI デバイスを使う”.
- 3-5 Select “THR10-1”.
- 3-6 Click “OK”.
- 3-7 Click “▶”.

Writing of the firmware starts.

2. <本機の操作>

“TAP” キーを押しながら電源スイッチを ON にし、さらに “TAP” キーを押し続けます。LED ディスプレイが点灯したら、消灯する前に “TAP” キーを 5 回押します。

約 6 秒後、アップデートモードが起動し、LED ディスプレイに “U” が表示されます。

注：

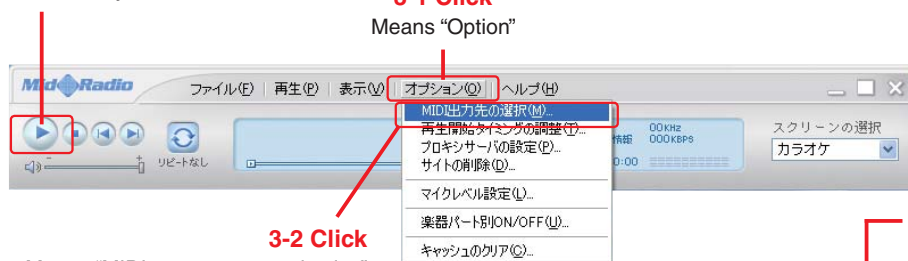
“TAP” キーを 5 回押す前に LED ディスプレイが消灯した場合、アップデートモードは起動しません。そのときは、一度電源スイッチを OFF にした後、上記の操作をやり直してください。

3. < PC の操作>

- 3-1 “オプション” をクリックします。
- 3-2 “MIDI 出力先の選択” をクリックします。
- 3-3 “再生” タグをクリックします。
- 3-4 “MIDI デバイスを使う” をクリックします。
- 3-5 “THR10-1” を選択します。
- 3-6 “OK” をクリックします。
- 3-7 “▶” をクリックするとアップデートが開始します。

3-7 Click

Means “Play”



3-1 Click

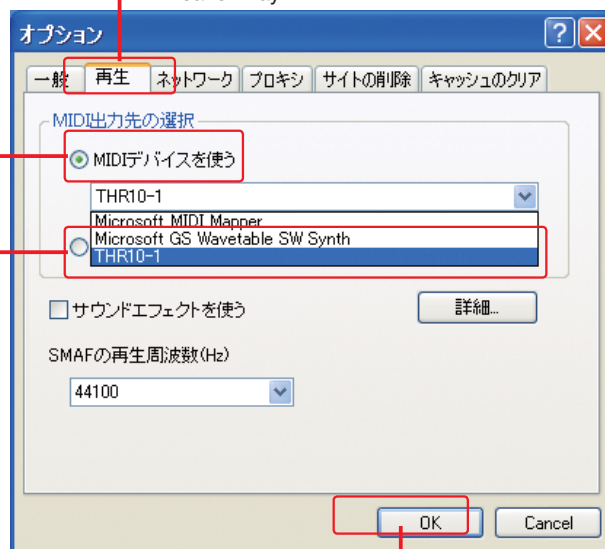
Means “Option”

3-2 Click

Means “MIDI output target selection”

3-3 Click

Means “Play”



3-4 Click

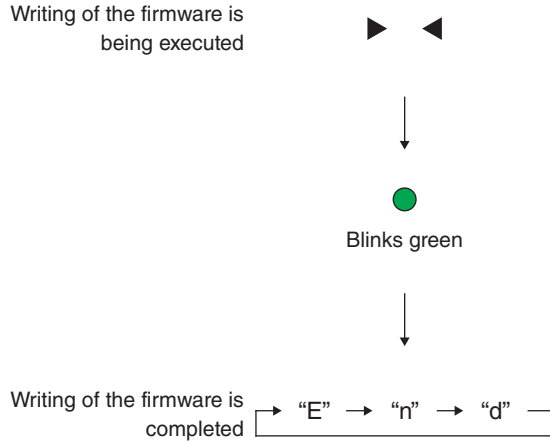
Means “Use MIDI device”

3-5 Select

3-6 Click

4. <Operation on this unit>

After writing of the firmware starts, the followings are shown on the LED display.



After writing of the firmware is completed, turn the power switch to OFF position.

5. <Confirmation of firmware version>

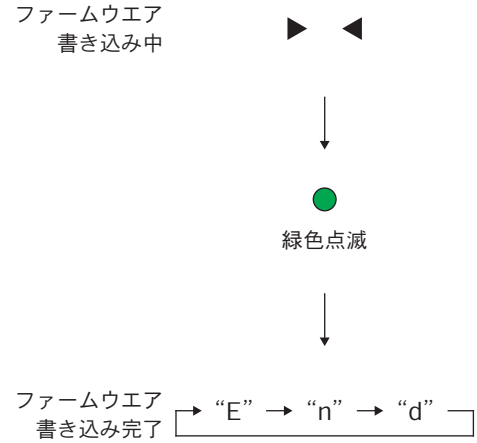
While pressing the “TAP” key, turn the power switch to ON position and keep pressing the “TAP” key. The firmware version is shown in 3-digit on the LED display.

Check that displayed firmware version is the same as written one.

- * If displayed firmware version is different from written one, perform the updating procedure again from the beginning.

4. <本機の操作>

ファームウェアの書き込み開始後、LED ディスプレイに以下のように表示されます。



ファームウェアの書き込み完了後、本機の電源スイッチを OFF にします。

5. <ファームウェアのバージョンの確認>

“TAP” キーを押しながら電源スイッチを ON にし、さらに “TAP” キーを押し続けると、LED ディスプレイにバージョンナンバーが 3 桁で表示されます。

表示されるファームウェアのバージョンが書き込まれたものと同じであることを確認します。

- ※ 表示されるファームウェアのバージョンが書き込まれたものと異なる場合、アップデートの操作を最初からやり直してください。

GUITAR AMPLIFIER

THR10/THR5

PARTS LIST

■ CONTENTS (目次)


OVERALL ASSEMBLY (総組立)


THR10	2
THR5	4
BATTERY BOX ASSEMBLY (バッテリーボックス Ass'y)	6
ELECTRICAL PARTS (電気部品)	7

Notes: DESTINATION ABBREVIATIONS

A : Australian model	K : Korean model
B : British model	T : Chinese model
G : European model	U : U.S.A. model
J : Japanese model	S : Brazirian model

■ WARNING (注意)

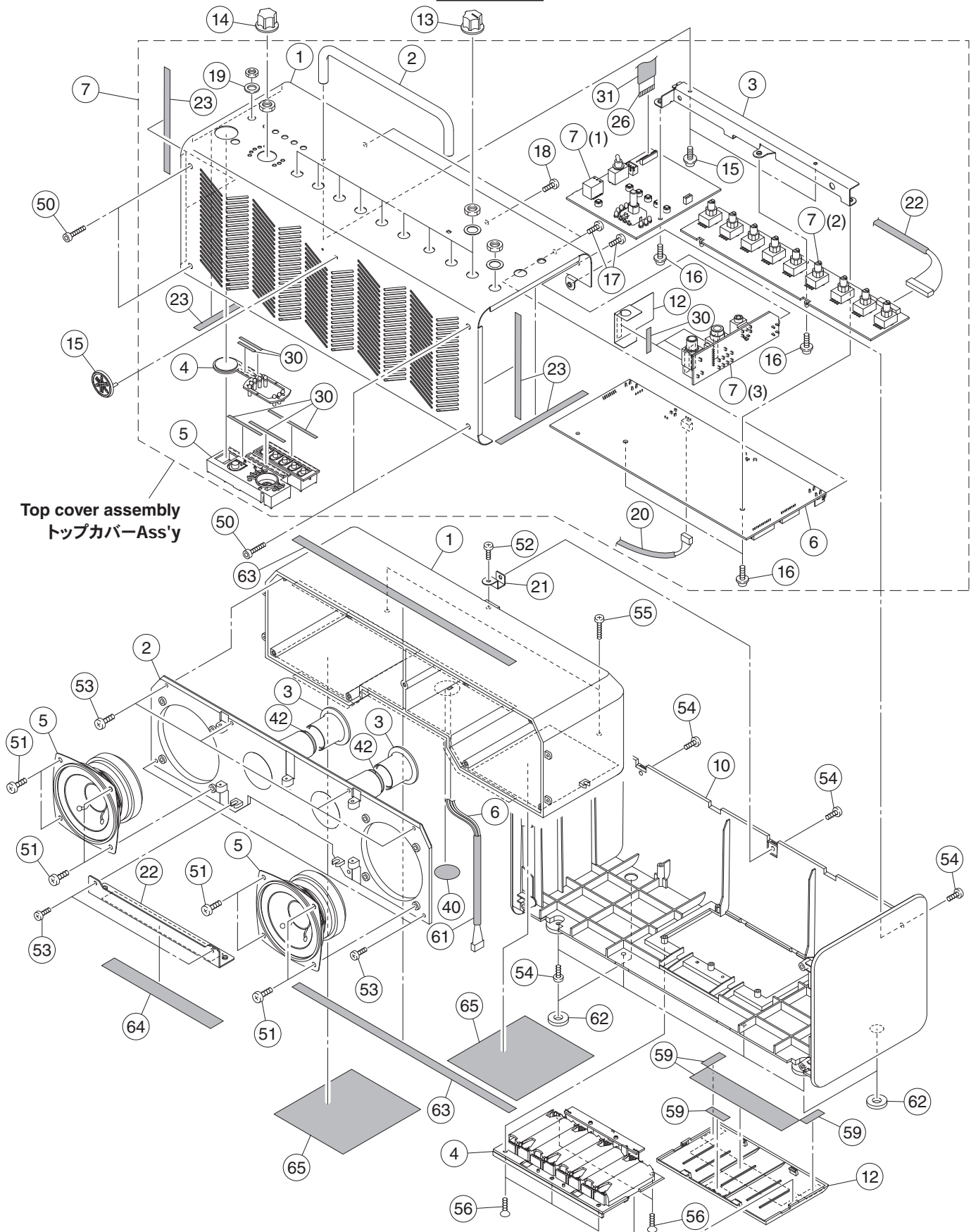
Components having special characteristics are marked  and must be replaced with parts having specification equal to those originally installed.

 印の部品は、安全を維持するために重要な部品です。交換する場合は、安全のために必ず指定の部品をご使用ください。

- The numbers "QTY" show quantities for each unit.
- The parts with "--" in "PART NO." are not available as spare parts.
- This mark "}" in the REMARKS column means these parts are interchangeable.
- The second letter of the shaded (■) part number is O, not zero.
- The second letter of the shaded (■) part number is I, not one.
- 部品価格ランクは、変更になることがあります。
- QTY 欄に記されている数字は、各ユニット当たりの使用個数です。
- PART NO. が "--" の部品は、サービス用部品として準備されておりません。
- REMARKS 欄の "}" マークの部品は、併用部品です。
- 網掛けの付いた PART NO. の 2 番目の文字は「ゼロ」ではなく、「オー」です。
- 網掛けの付いた PART NO. の 2 番目の文字は「イチ」ではなく、「アイ」です。

OVERALL ASSEMBLY (総組立)

THR10



Top cover assembly
トップカバー-Ass'y

THR10

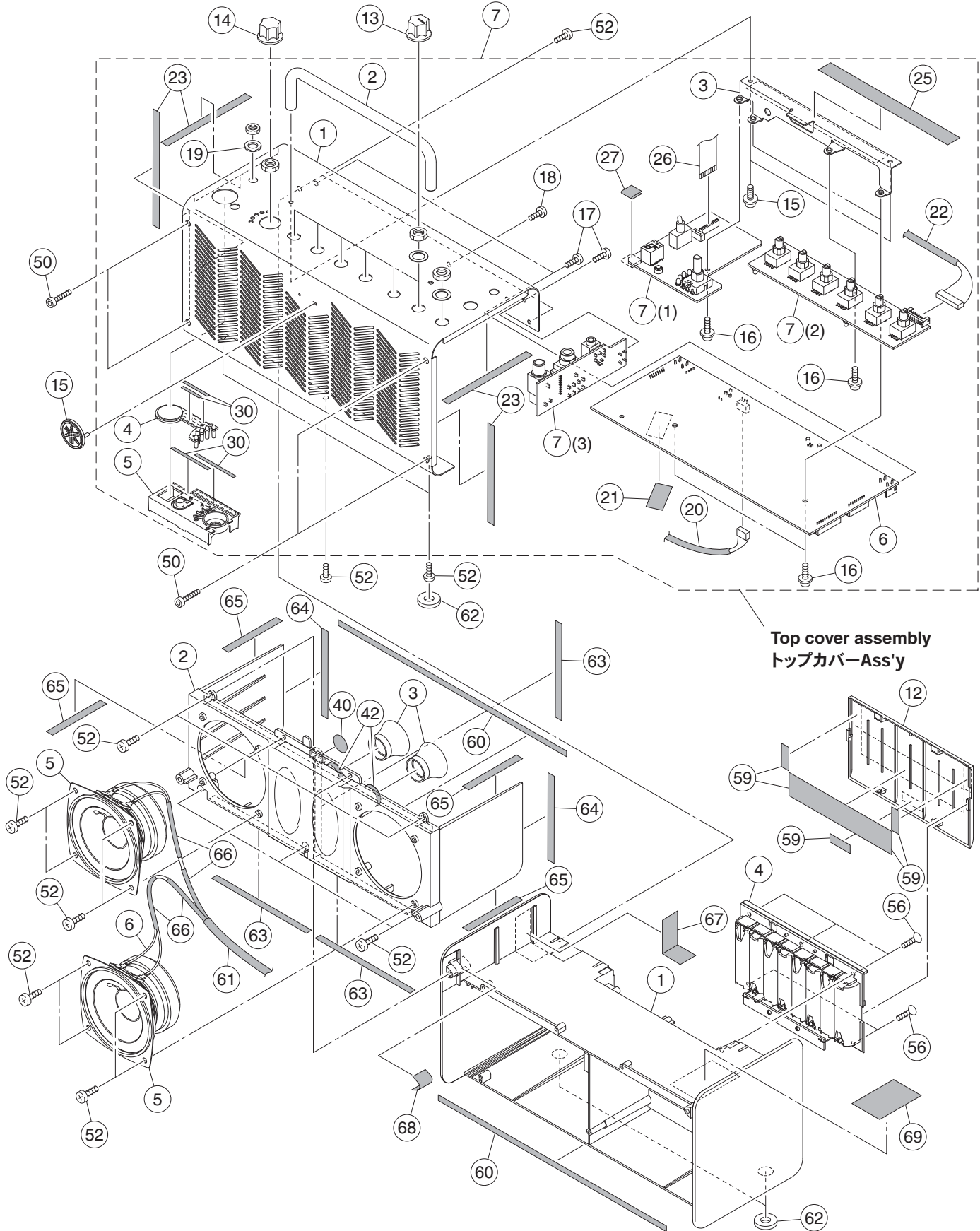
- The seventh letter of the shaded (■) part number is I, not one.
- 網掛けの付いた PART NO. の 7 番目の文字は「イチ」ではなく、「アイ」です。

REF NO.	PART NO.	DESCRIPTION	部 品 名	REMARKS	QTY	RANK
		OVERALL ASSEMBLY	総組立	THR10		
1	--	GUITAR AMP F.ASSY	ギターアンプ総組立	(WZ25850)		09
2	--	CABINET	キャビネット	(WQ06440)		05
3	--	BAFFLE	バッフル	(WQ08530)		02
4	--	PORT	ポート	(WQ07620)	2	08
5	YD093A00	BATTERY BOX ASSEMBLY	バッテリーボックスアッセンリー	(WZ25880)	2	
6	--	SPEAKER	スピーカー			
7	--	SP CABLE ASSEMBLY	SPケーブルアッセンリー	(WZ24810)		
10	WY935010	TOP COVER ASSEMBLY	トップカバーアッセンリー	(WZ25870)		
10	--	BOTTOM CASE	ボトムケース	(WY93500)		
12	WY935510	BATTERY COVER	バッテリーカバー	(WY93550)		
12	--	BATTERY COVER	バッテリーカバー			
13	WY935600	KNOB/D19	ノブ / D 1 9		9	
14	WY935700	KNOB/D19	ノブ / D 1 9			
15	WY936400	EMBLEM	エンブレム			
21	WZ631800	SUPPORT/SP	サポート / SP			
22	WZ631900	SUPPORT/BTM	サポート / BTM			
40	--	HOT MELT	ホットメルト	(WK49520)		
40	--	HOT MELT	ホットメルト	(WT59530)		
42	--	ADHESIVE	接着剤	(WK47470)		
50	WY934900	HEX SOCKET P-TIGHT SCREW	六角ソケットPタイト		4	
51	WF759500	BIND HEAD P-TIGHT SCREW	Pタイト + B I N D		8	01
52	WF266600	BIND HEAD P-TIGHT SCREW	Pタイト + B I N D		8	01
53	WF507300	BIND HEAD P-TIGHT SCREW	Pタイト + B I N D		9	01
54	WE774400	BIND HEAD B-TIGHT SCREW	Bタイト + B I N D		7	01
55	WG256600	PAN HEAD P-TIGHT SCREW	Pタイト + P A N		2	
56	WG256500	FLAT HEAD P-TIGHT SCREW	Pタイト + サラ		5	
59	ZA375800	CUSHION COVER	クッション / カバー			
61	WZ321400	PACKING	パッキング			
62	WY973200	LEG	レッグ		4	
63	WT504800	PACKING	パッキング		2	01
64	WV177200	PACKING	パッキング			
65	ZA373100	PACKING	パッキング		2	
1	WY934200	TOP COVER ASSEMBLY	トップカバーアッセンリー	(WZ25870)		
2	WY934600	TOP COVER	トップカバー			
3	--	HANDLE	ハンドル			
4	WY936200	SUPPORT/PCB	サポート / PCB	(WY93440)		
5	WY935810	LENS/LED	レンズ / LED			
5	--	BUTTON/TUNER	ボタン / チューナー			
5	--	BUTTON/TUNER	ボタン / チューナー	(WY93580)		
6	WZ258900	CIRCUIT BOARD	M A I N シート			
7	WZ259100	CIRCUIT BOARD	OPERATION シート			
12	--	SHEET/SHIELD	シート / シールド	(WZ53190)		
15	WE996500	PAN HEAD SCREW	小ネジ + P A N		2	01
16	WF00260R	PW HEAD TAPPING SCREW-B	Bタイト + P W H		4	01
17	WE774100	BONDING TAPPING SCREW-B	Bタイト + ボンディング		3	01
18	WE877800	BIND HEAD S-TIGHT SCREW	Sタイト + B I N D		3	01
19	ZA396400	WASHER	ワッシャー			
20	WU037200	PACKING	パッキング			01
22	WU609900	PACKING	パッキング			
23	ZA372900	PACKING	パッキング		4	
26	WR739700	FLEXIBLE FLAT CABLE	フレキシブルフラットケーブル			
30	--	ADHESIVE TAPE	粘着テープ	(VN52160)		
31	WZ576600	PACKING	パッキング			
△	WY529300	ACCESSORIES	付属品			
△	WV251000	AC ADAPTOR	A C アダプター	J		
△	WV251100	POWER CORD ASSEMBLY	パワーコードアッセンリー	U		07
△	WV251500	POWER CORD ASSEMBLY	パワーコードアッセンリー	T		
△	WV251600	POWER CORD ASSEMBLY	パワーコードアッセンリー	K		
△	WV251200	POWER CORD ASSEMBLY	パワーコードアッセンリー	A		
△	WV251300	POWER CORD ASSEMBLY	パワーコードアッセンリー	B		
△	WV251400	POWER CORD ASSEMBLY	パワーコードアッセンリー	G		
△	WV583100	POWER CORD ASSEMBLY	パワーコードアッセンリー	S		
△	WZ702700	USB CABLE	USBケーブル			
△	WK382800	MINI PLUG CABLE	ミニプラグケーブル			
	--	DVD-ROM	D V D - R O M	(YE040A0)		

* : New Parts

RANK: Japan only

THR5



Top cover assembly
トップカバー Ass'y

THR5

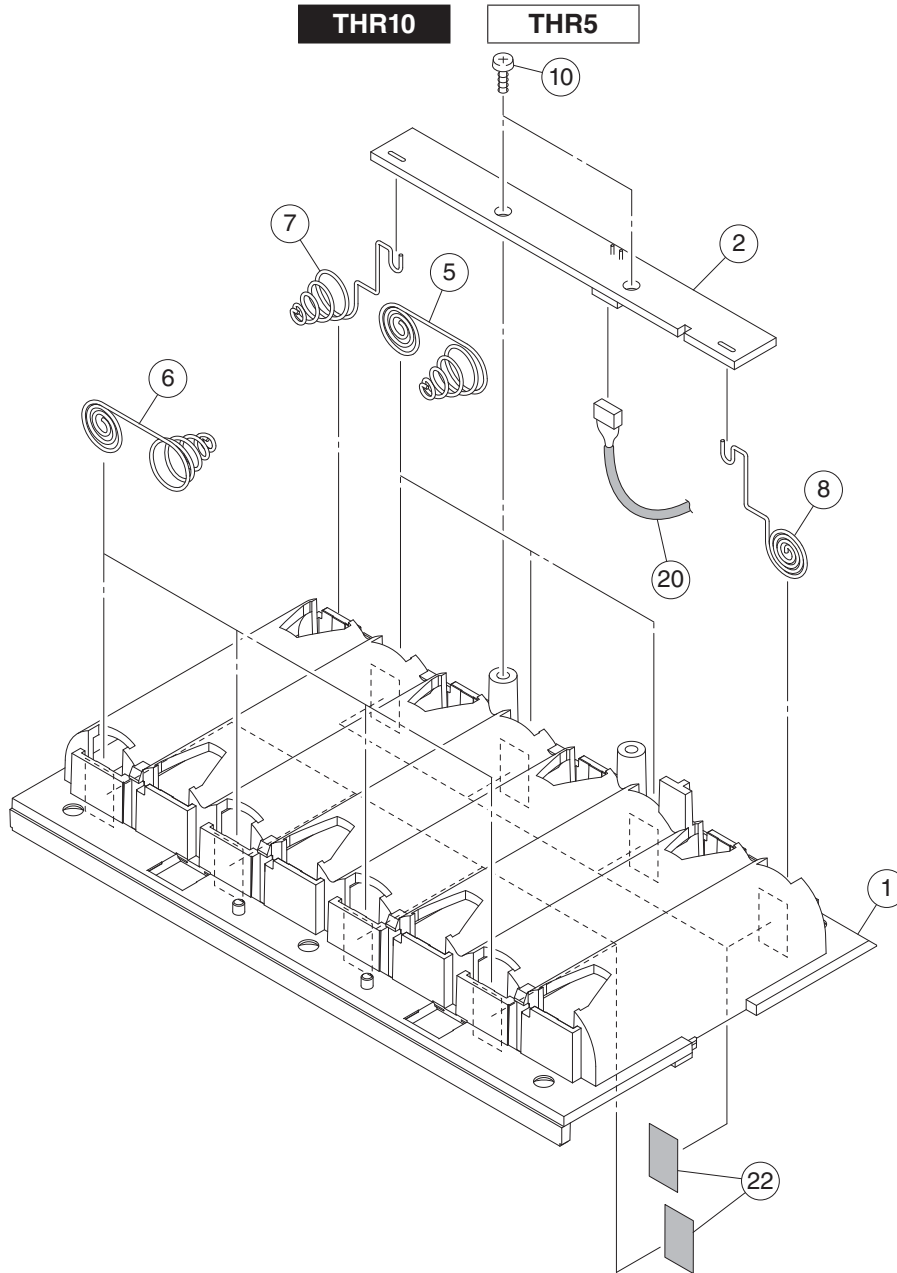
- The seventh letter of the shaded (■) part number is I, not one.
- 網掛けの付いた PART NO. の 7 番目の文字は「イチ」ではなく、「アイ」です。

		OVERALL ASSEMBLY GUITAR AMP F.ASSY		総組立 ギターアンプ総組立	THR5 WZ260600		
* 1	--	CABINET		キャビネット	(WY93510)	2	08
1	WY935110	CABINET		キャビネット			
2	--	BAFFLE		バッフル	(WY93521)		
3	--	PORT		ポート	(WY93530)		
3	--	PORT		ポート	(WY93531)		
4	--	BATTERY BOX ASSEMBLY		バッテリーボックスアッセンブリ	(WZ26090)		
5	YD093A00	SPEAKER	8cm JA08A8	スピーカー			
6	--	SP CABLE ASSEMBLY	4P 320mm GY/BR/BE/GY	SPケーブルアッセンブリ	(WZ24800)		
7	--	TOP COVER ASSEMBLY		トップカバーアッセンブリ	(WZ26080)		
* 12	WY935510	BATTERY COVER	IVORY	バッテリーカバー	(WY93550)	6	
12	--	BATTERY COVER		バッテリーカバー			
* 13	WY935600	KNOB/D19		ノブ/D19			
* 14	WY935700	KNOB/D19		ノブ/D19			
* 15	WY936400	EMBLEM	BL	エンブレム			
40	--	HOT MELT		ホットメルト	(WK49520)		
40	--	HOT MELT	T705	ホットメルト	(WT59530)		
42	--	ADHESIVE	CEMEDAIN 8008(CL)	接着剤	(WK47470)		
* 50	WY934900	HEX SOCKET P-TIGHT SCREW	4x8-8 MFNI33	六角ソケットPタイト		4	01
52	WF266600	BIND HEAD P-TIGHT SCREW	3x8 MFZN2B3	Pタイト+BIND		20	
* 56	WG256500	FLAT HEAD P-TIGHT SCREW	3x10 MFZN2B3	Pタイト+サラ		5	
* 59	ZA375800	CUSHION COVER		クッション/カバー		2	
* 60	WH116900	PACKING		パッキング			
* 61	WZ321400	PACKING	20x140	パッキング			
* 62	WY973200	LEG		レッグ		4	
* 63	ZA373800	PACKING	10x90	パッキング		3	
* 64	WN358300	PACKING	20x70	パッキング		2	
* 65	WM539100	PACKING	6x60	パッキング		4	
* 66	WJ970800	PACKING	60x20	パッキング		4	
* 67	WU609900	PACKING	30x50	パッキング			
* 68	WM539200	PACKING	10x20	パッキング			
* 69	WU037300	PACKING	40x60	パッキング			
* 1	WY934300	TOP COVER ASSEMBLY		トップカバーアッセンブリ	(WZ26080)		
* 2	WY934600	TOP COVER		トップカバー			
* 3	--	HANDLE		ハンドル			
* 4	WY936300	SUPPORT/PCB		サポート/PCB	(WY93450)		
* 5	WY936010	LENS/LED		レンズ/LED			
* 5	WY936010	BUTTON/TUNER	IVORY	ボタン/チューナー	(WY93600)		
5	--	BUTTON/TUNER		ボタン/チューナー			
* 6	WZ259000	CIRCUIT BOARD	MAIN	MAINシート			
* 7	WZ259200	CIRCUIT BOARD	OPERATION	OPERATIONシート			
15	WE996500	PAN HEAD SCREW	3x8 MFZN2W3 SP	小ネジ+PAN		2	01
16	WF002600	PW HEAD TAPPING SCREW-B	3x8 MFZN2W3	Bタイト+PW H		4	01
17	WE774100	BONDING TAPPING SCREW-B	3x8 MFZN2B3	Bタイト+ボンディング		3	01
18	WE887800	BIND HEAD S-TIGHT SCREW	3x6 MFZN2B3	Sタイト+BIND			01
* 19	ZA396400	WASHER		ワッシャー			
20	WW479900	PACKING	15x175	パッキング			01
21	WN358400	PACKING	13x40	パッキング			
22	WU609900	PACKING	30x50	パッキング			
23	ZA373800	PACKING	10x90	パッキング		4	
25	WV177200	PACKING	15x130	パッキング			
* 26	WR739200	FLEXIBLE FLAT CABLE	16P 70mm P=1.0	フレキシブルフラットケーブル			
27	WM539200	PACKING	10x20	パッキング			
30	--	ADHESIVE TAPE	NITTO #500 W=3	粘着テープ	(VN52160)		
△	WY529300	ACCESSORIES		付属品			
△	WV251000	AC ADAPTOR	EADP-38EB A 1.8m	ACアダプター			07
△	WV251100	POWER CORD ASSEMBLY		パワーコードアッセンブリ	J		
△	WV251500	POWER CORD ASSEMBLY		パワーコードアッセンブリ	U		
△	WV251600	POWER CORD ASSEMBLY		パワーコードアッセンブリ	T		
△	WV251200	POWER CORD ASSEMBLY		パワーコードアッセンブリ	K		
△	WV251300	POWER CORD ASSEMBLY		パワーコードアッセンブリ	A		
△	WV251400	POWER CORD ASSEMBLY		パワーコードアッセンブリ	B		
△	WV583100	POWER CORD ASSEMBLY		パワーコードアッセンブリ	G		
△	WZ702700	USB CABLE	4P 1m BLACK	USBケーブル	S		
△	WK382800	MINI PLUG CABLE	2P 500mm	ミニプラグケーブル			
	--	DVD-ROM	Cubase AI	DVD-ROM	(YE040A0)		

* : New Parts

RANK: Japan only

■ BATTERY BOX ASSEMBLY (バッテリーボックス Ass'y)



- The seventh letter of the shaded (■) part number is I, not one.
- 網掛けの付いた PART NO. の 7 番目の文字は「イチ」ではなく、「アイ」です。

REF NO.	PART NO.	DESCRIPTION		部 品 名	REMARKS	QTY	RANK
*	--	BATTERY BOX ASSEMBLY	IVORY	バッテリーボックス Ass'y	THR10 (WZ25880)		
*	--	BATTERY BOX ASSEMBLY		バッテリーボックス Ass'y	THR5 (WZ26090)		
1	WY935410	BATTERY CASE	IVORY	バッテリーケース	}		
1	--	BATTERY CASE		バッテリーケース		(WY93540)	
2	--	CIRCUIT BOARD	OPERATION	OPERATIONシート	THR10 (WZ25930)		
2	--	CIRCUIT BOARD	OPERATION	OPERATIONシート	THR5 (WZ25940)		
*	ZA499300	SPRING A		スプリング - A		3	01
*	ZA499400	SPRING B		スプリング - B		4	01
	WY934700	SPRING/1P-A		スプリング / 1 P - A			
	ZA501300	SPRING/1P-B		スプリング / 1 P - B			
10	WF303400	BIND HEAD P-TIGHT SCREW	2.6x6 MFZN2B3	P タイト + B I N D		2	01
20	WZ321400	PACKING	20x140	パ ッ キ ン			
22	WN358600	PACKING	5x11	パ ッ キ ン		8	

* : New Parts

RANK: Japan only

ELECTRICAL PARTS (電気部品)

REF NO.	PART NO.	DESCRIPTION	部 品 名	REMARKS	QTY	RANK
		ELECTRICAL PARTS	電 気 部 品	THR10,THR5		
*	WZ258900	CIRCUIT BOARD	M A I N	THR10 (YD788B0)		
*	WZ259000	CIRCUIT BOARD	M A I N	THR5 (YD788B0)		
*	WZ259100	CIRCUIT BOARD	O P E R A T I O N	THR10 (YD789B0)		
*	WZ259200	CIRCUIT BOARD	O P E R A T I O N	THR5 (YD790B0)		
*	WZ258900	CIRCUIT BOARD	M A I N	THR10 (YD788B0)		
*	WZ259000	CIRCUIT BOARD	M A I N	THR5 (YD788B0)		
C1	US135100	CERAMIC CAPACITOR-F (CHIP)	0.1uF 16V Z	チップセラ(F)		01
-4	US135100	CERAMIC CAPACITOR-F (CHIP)	0.1uF 16V Z	チップセラ(F)		01
C5	US064100	CERAMIC CAPACITOR-B (CHIP)	0.01uF 50V K	チップセラ(B)		01
C6	US062100	CERAMIC CAPACITOR-SL(CHIP)	100pF 50V J	チップセラ(SL)		01
C7	US135100	CERAMIC CAPACITOR-F (CHIP)	0.1uF 16V Z	チップセラ(F)		01
C8	US062100	CERAMIC CAPACITOR-SL(CHIP)	100pF 50V J	チップセラ(SL)		01
-10	US062100	CERAMIC CAPACITOR-SL(CHIP)	100pF 50V J	チップセラ(SL)		01
C11	US135100	CERAMIC CAPACITOR-F (CHIP)	0.1uF 16V Z	チップセラ(F)		01
C12	US062100	CERAMIC CAPACITOR-SL(CHIP)	100pF 50V J	チップセラ(SL)		01
C13	US064100	CERAMIC CAPACITOR-B (CHIP)	0.01uF 50V K	チップセラ(B)		01
C14	US064100	CERAMIC CAPACITOR-B (CHIP)	0.01uF 50V K	チップセラ(B)		01
C15	US135100	CERAMIC CAPACITOR-F (CHIP)	0.1uF 16V Z	チップセラ(F)		01
C16	US062100	CERAMIC CAPACITOR-SL(CHIP)	100pF 50V J	チップセラ(SL)		01
C17	US135100	CERAMIC CAPACITOR-F (CHIP)	0.1uF 16V Z	チップセラ(F)		01
-23	US135100	CERAMIC CAPACITOR-F (CHIP)	0.1uF 16V Z	チップセラ(F)		01
C24	WP882000	CERAMIC CAPACITOR (CHIP)	10uF 6.3V K	チップセラ		
C25	WP882000	CERAMIC CAPACITOR (CHIP)	10uF 6.3V K	チップセラ		
C26	US064100	CERAMIC CAPACITOR-B (CHIP)	0.01uF 50V K	チップセラ(B)		01
C27	US064100	CERAMIC CAPACITOR-B (CHIP)	0.01uF 50V K	チップセラ(B)		01
C28	WP882000	CERAMIC CAPACITOR (CHIP)	10uF 6.3V K	チップセラ		
C29	US135100	CERAMIC CAPACITOR-F (CHIP)	0.1uF 16V Z	チップセラ(F)		01
C30	US135100	CERAMIC CAPACITOR-F (CHIP)	0.1uF 16V Z	チップセラ(F)		01
C31	US135100	CERAMIC CAPACITOR-F (CHIP)	0.1uF 16V Z	チップセラ(F)		01
C32	WP882000	CERAMIC CAPACITOR (CHIP)	10uF 6.3V K	チップセラ		
-34	WP882000	CERAMIC CAPACITOR (CHIP)	10uF 6.3V K	チップセラ		
C35	US060900	CERAMIC CAPACITOR (CHIP)	9pF 50V D	チップセラ(CH)		01
C36	US060800	CERAMIC CAPACITOR (CHIP)	8pF 50V D	チップセラ(CH)		01
C37	US064100	CERAMIC CAPACITOR-B (CHIP)	0.01uF 50V K	チップセラ(B)		01
C39	US064100	CERAMIC CAPACITOR-B (CHIP)	0.01uF 50V K	チップセラ(B)		01
C40	US135100	CERAMIC CAPACITOR-F (CHIP)	0.1uF 16V Z	チップセラ(F)		01
C41	US061120	CERAMIC CAPACITOR-CH(CHIP)	12pF 50V J	チップセラ(CH)		01
C42	US061120	CERAMIC CAPACITOR-CH(CHIP)	12pF 50V J	チップセラ(CH)		01
C43	WP882000	CERAMIC CAPACITOR (CHIP)	10uF 6.3V K	チップセラ		
C44	US064100	CERAMIC CAPACITOR-B (CHIP)	0.01uF 50V K	チップセラ(B)		01
C45	WP882000	CERAMIC CAPACITOR (CHIP)	10uF 6.3V K	チップセラ		
C46	US135100	CERAMIC CAPACITOR-F (CHIP)	0.1uF 16V Z	チップセラ(F)		01
-51	US135100	CERAMIC CAPACITOR-F (CHIP)	0.1uF 16V Z	チップセラ(F)		01
C52	US135100	CERAMIC CAPACITOR-F (CHIP)	0.1uF 16V Z	チップセラ(F)		01
C53	WP882000	CERAMIC CAPACITOR (CHIP)	10uF 6.3V K	チップセラ		
C54	US126100	CERAMIC CAPACITOR-F (CHIP)	1.0uF 10V Z	チップセラ(F)		01
C55	US064100	CERAMIC CAPACITOR-B (CHIP)	0.01uF 50V K	チップセラ(B)		01
C56	US135100	CERAMIC CAPACITOR-F (CHIP)	0.1uF 16V Z	チップセラ(F)		01
C57	US135100	CERAMIC CAPACITOR-F (CHIP)	0.1uF 16V Z	チップセラ(F)		01
C58	US135100	CERAMIC CAPACITOR-F (CHIP)	0.1uF 16V Z	チップセラ(F)		01
-60	US135100	CERAMIC CAPACITOR-F (CHIP)	0.1uF 16V Z	チップセラ(F)		01
C61	US064100	CERAMIC CAPACITOR-B (CHIP)	0.01uF 50V K	チップセラ(B)		01
C62	US135100	CERAMIC CAPACITOR-F (CHIP)	0.1uF 16V Z	チップセラ(F)		01
-64	US135100	CERAMIC CAPACITOR-F (CHIP)	0.1uF 16V Z	チップセラ(F)		01
C65	US135220	CERAMIC CAPACITOR-F (CHIP)	0.22uF 16V Z	チップセラ(F)		01
C66	US062100	CERAMIC CAPACITOR-SL(CHIP)	100pF 50V J	チップセラ(SL)		01
C67	US135100	CERAMIC CAPACITOR-F (CHIP)	0.1uF 16V Z	チップセラ(F)		01
C68	US126100	CERAMIC CAPACITOR-F (CHIP)	1.0uF 10V Z	チップセラ(F)		01
C69	WP882000	CERAMIC CAPACITOR (CHIP)	10uF 6.3V K	チップセラ		
C70	US126100	CERAMIC CAPACITOR-F (CHIP)	1.0uF 10V Z	チップセラ(F)		01
C71	US126100	CERAMIC CAPACITOR-F (CHIP)	1.0uF 10V Z	チップセラ(F)		01
C72	US062100	CERAMIC CAPACITOR-SL(CHIP)	100pF 50V J	チップセラ(SL)		01
C73	US126100	CERAMIC CAPACITOR-F (CHIP)	1.0uF 10V Z	チップセラ(F)		01
C74	US061220	CERAMIC CAPACITOR-CH(CHIP)	22pF 50V J	チップセラ(CH)		01
C75	US062100	CERAMIC CAPACITOR-SL(CHIP)	100pF 50V J	チップセラ(SL)		01
C76	US126100	CERAMIC CAPACITOR-F (CHIP)	1.0uF 10V Z	チップセラ(F)		01
C77	US135100	CERAMIC CAPACITOR-F (CHIP)	0.1uF 16V Z	チップセラ(F)		01
C78	US135100	CERAMIC CAPACITOR-F (CHIP)	0.1uF 16V Z	チップセラ(F)		01

* : New Parts

RANK: Japan only

MAIN

REF NO.	PART NO.	DESCRIPTION		部 品 名	REMARKS	QTY	RANK
C79	US126100	CERAMIC CAPACITOR-F (CHIP)	1.0uF 10V Z	チ ッ プ セ ラ (F)			01
C80	US135100	CERAMIC CAPACITOR-F (CHIP)	0.1uF 16V Z	チ ッ プ セ ラ (F)			01
C81	UF06610R	ELECTROLYTIC CAPACITOR (CHIP)	1uF 50V	チ ッ プ ケ ミ コ ン			01
C82	US135100	CERAMIC CAPACITOR-F (CHIP)	0.1uF 16V Z	チ ッ プ セ ラ (F)			01
C83	US126100	CERAMIC CAPACITOR-F (CHIP)	1.0uF 10V Z	チ ッ プ セ ラ (F)			01
C84	US126100	CERAMIC CAPACITOR-F (CHIP)	1.0uF 10V Z	チ ッ プ セ ラ (F)			01
C87	US062470	CERAMIC CAPACITOR-F (CHIP)	470pF 50V J	チ ッ プ セ ラ (F)			01
C88	US062470	CERAMIC CAPACITOR-F (CHIP)	470pF 50V J	チ ッ プ セ ラ (F)			01
C89	US062100	CERAMIC CAPACITOR-SL(CHIP)	100pF 50V J	チ ッ プ セ ラ (S L)			01
C90	US063100	CERAMIC CAPACITOR-B (CHIP)	1000pF 50V K	チ ッ プ セ ラ (B)			01
C91	US135100	CERAMIC CAPACITOR-F (CHIP)	0.1uF 16V Z	チ ッ プ セ ラ (F)			01
-94	US135100	CERAMIC CAPACITOR-F (CHIP)	0.1uF 16V Z	チ ッ プ セ ラ (F)			01
C95	UF06610R	ELECTROLYTIC CAPACITOR (CHIP)	1uF 50V	チ ッ プ ケ ミ コ ン			01
C96	UF06610R	ELECTROLYTIC CAPACITOR (CHIP)	1uF 50V	チ ッ プ ケ ミ コ ン			01
C97	US064100	CERAMIC CAPACITOR-B (CHIP)	0.01uF 50V K	チ ッ プ セ ラ (B)			01
C98	US064100	CERAMIC CAPACITOR-B (CHIP)	0.01uF 50V K	チ ッ プ セ ラ (B)			01
C99	UF03810R	ELECTROLYTIC CAP.(CHIP)	100uF 16V	チ ッ プ ケ ミ コ ン			01
C100	UF03810R	ELECTROLYTIC CAP.(CHIP)	100uF 16V	チ ッ プ ケ ミ コ ン			01
C101	US062220	CERAMIC CAPACITOR-SL(CHIP)	220pF 50V J	チ ッ プ セ ラ (S L)			01
C102	US062220	CERAMIC CAPACITOR-SL(CHIP)	220pF 50V J	チ ッ プ セ ラ (S L)			01
C103	WH046700	MONOLITHIC CERAMIC CAP(CHIP)	4.7uF 16V K	チ ッ プ 積 層 セ ラ コ ン			01
C104	US135100	CERAMIC CAPACITOR-F (CHIP)	0.1uF 16V Z	チ ッ プ セ ラ (F)			01
C105	US135100	CERAMIC CAPACITOR-F (CHIP)	0.1uF 16V Z	チ ッ プ セ ラ (F)			01
C106	US062470	CERAMIC CAPACITOR-F (CHIP)	470pF 50V J	チ ッ プ セ ラ (F)			01
C107	US062470	CERAMIC CAPACITOR-F (CHIP)	470pF 50V J	チ ッ プ セ ラ (F)			01
C108	US06233R	CERAMIC CAPACITOR-SL (CHIP)	330pF 50V J	チ ッ プ セ ラ (S L)			01
C109	US06233R	CERAMIC CAPACITOR-SL (CHIP)	330pF 50V J	チ ッ プ セ ラ (S L)			01
C110	US126100	CERAMIC CAPACITOR-F (CHIP)	1.0uF 10V Z	チ ッ プ セ ラ (F)			01
C111	US035100	CERAMIC CAPACITOR-B (CHIP)	0.1uF 16V K	チ ッ プ セ ラ (B)			01
C112	US035100	CERAMIC CAPACITOR-B (CHIP)	0.1uF 16V K	チ ッ プ セ ラ (B)			01
C113	US126100	CERAMIC CAPACITOR-F (CHIP)	1.0uF 10V Z	チ ッ プ セ ラ (F)			01
C114	US126100	CERAMIC CAPACITOR-F (CHIP)	1.0uF 10V Z	チ ッ プ セ ラ (F)			01
C115	UF037100	ELECTROLYTIC CAP. (CHIP)	10uF 16V	チ ッ プ ケ ミ コ ン			01
C116	UF037100	ELECTROLYTIC CAP. (CHIP)	10uF 16V	チ ッ プ ケ ミ コ ン			01
C119	UF037100	ELECTROLYTIC CAP. (CHIP)	10uF 16V	チ ッ プ ケ ミ コ ン			01
C120	UF037100	ELECTROLYTIC CAP. (CHIP)	10uF 16V	チ ッ プ ケ ミ コ ン			01
C123	US064100	CERAMIC CAPACITOR-B (CHIP)	0.01uF 50V K	チ ッ プ セ ラ (B)			01
C124	US064100	CERAMIC CAPACITOR-B (CHIP)	0.01uF 50V K	チ ッ プ セ ラ (B)			01
C125	UF037100	ELECTROLYTIC CAP. (CHIP)	10uF 16V	チ ッ プ ケ ミ コ ン			01
C126	UF037100	ELECTROLYTIC CAP. (CHIP)	10uF 16V	チ ッ プ ケ ミ コ ン			01
C127	US135100	CERAMIC CAPACITOR-F (CHIP)	0.1uF 16V Z	チ ッ プ セ ラ (F)			01
C128	US135100	CERAMIC CAPACITOR-F (CHIP)	0.1uF 16V Z	チ ッ プ セ ラ (F)			01
C129	US064100	CERAMIC CAPACITOR-B (CHIP)	0.01uF 50V K	チ ッ プ セ ラ (B)			01
C130	US064100	CERAMIC CAPACITOR-B (CHIP)	0.01uF 50V K	チ ッ プ セ ラ (B)			01
C131	US135100	CERAMIC CAPACITOR-F (CHIP)	0.1uF 16V Z	チ ッ プ セ ラ (F)			01
C132	US135100	CERAMIC CAPACITOR-F (CHIP)	0.1uF 16V Z	チ ッ プ セ ラ (F)			01
C133	WP882000	CERAMIC CAPACITOR (CHIP)	10uF 6.3V K	チ ッ プ セ ラ			01
-135	WP882000	CERAMIC CAPACITOR (CHIP)	10uF 6.3V K	チ ッ プ セ ラ			01
C136	US135100	CERAMIC CAPACITOR-F (CHIP)	0.1uF 16V Z	チ ッ プ セ ラ (F)			01
C137	WH046700	MONOLITHIC CERAMIC CAP(CHIP)	4.7uF 16V K	チ ッ プ 積 層 セ ラ コ ン			01
C138	US063100	CERAMIC CAPACITOR-B (CHIP)	1000pF 50V K	チ ッ プ セ ラ (B)			01
C139	US063100	CERAMIC CAPACITOR-B (CHIP)	1000pF 50V K	チ ッ プ セ ラ (B)			01
C140	US126100	CERAMIC CAPACITOR-F (CHIP)	1.0uF 10V Z	チ ッ プ セ ラ (F)			01
-144	US126100	CERAMIC CAPACITOR-F (CHIP)	1.0uF 10V Z	チ ッ プ セ ラ (F)			01
C145	US135100	CERAMIC CAPACITOR-F (CHIP)	0.1uF 16V Z	チ ッ プ セ ラ (F)			01
C146	US035100	CERAMIC CAPACITOR-B (CHIP)	0.1uF 16V K	チ ッ プ セ ラ (B)			01
C147	US14510R	CERAMIC CAPACITOR-F (CHIP)	0.1uF 25V Z	チ ッ プ セ ラ (F)			01
C148	WQ527000	ELECTROLYTIC CAP. (CHIP)	100uF 16V	チ ッ プ ケ ミ コ ン			01
C149	US14510R	CERAMIC CAPACITOR-F (CHIP)	0.1uF 25V Z	チ ッ プ セ ラ (F)			01
C150	US14510R	CERAMIC CAPACITOR-F (CHIP)	0.1uF 25V Z	チ ッ プ セ ラ (F)			01
C151	WQ527000	ELECTROLYTIC CAP. (CHIP)	100uF 16V	チ ッ プ ケ ミ コ ン			01
C152	US14510R	CERAMIC CAPACITOR-F (CHIP)	0.1uF 25V Z	チ ッ プ セ ラ (F)			01
C153	US14510R	CERAMIC CAPACITOR-F (CHIP)	0.1uF 25V Z	チ ッ プ セ ラ (F)			01
C154	WQ527000	ELECTROLYTIC CAP. (CHIP)	100uF 16V	チ ッ プ ケ ミ コ ン			01
C155	WQ527000	ELECTROLYTIC CAP. (CHIP)	100uF 16V	チ ッ プ ケ ミ コ ン			01
C156	WV675300	MONOLITHIC CERAMIC CAP.(CHIP)	0.1uF 50V K	チ ッ プ 積 層 セ ラ コ ン			01
-159	WV675300	MONOLITHIC CERAMIC CAP.(CHIP)	0.1uF 50V K	チ ッ プ 積 層 セ ラ コ ン			01
C160	US135100	CERAMIC CAPACITOR-F (CHIP)	0.1uF 16V Z	チ ッ プ セ ラ (F)			01
C161	US135100	CERAMIC CAPACITOR-F (CHIP)	0.1uF 16V Z	チ ッ プ セ ラ (F)			01
C162	US135100	CERAMIC CAPACITOR-F (CHIP)	0.1uF 16V Z	チ ッ プ セ ラ (F)			01

*: New Parts

RANK: Japan only

MAIN

REF NO.	PART NO.	DESCRIPTION		部 品 名	REMARKS	QTY	RANK
C501	US065100	CERAMIC CAPACITOR-F (CHIP)	0.1uF 50V Z	チ ッ プ セ ラ (F)			01
C502	WG863700	CERAMIC CAPACITOR (CHIP)	1.0uF 25V K	チ ッ プ 積 層 セ ラ コ ン			01
C503	US063100	CERAMIC CAPACITOR-B (CHIP)	1000pF 50V K	チ ッ プ セ ラ (B)			01
C504	UF03810R	ELECTROLYTIC CAP.(CHIP)	100uF 16V	チ ッ プ ケ ミ コ ン			01
C505	UF03810R	ELECTROLYTIC CAP.(CHIP)	100uF 16V	チ ッ プ ケ ミ コ ン			01
C508	US14510R	CERAMIC CAPACITOR-F (CHIP)	0.1uF 25V Z	チ ッ プ セ ラ (F)			01
C509	US14510R	CERAMIC CAPACITOR-F (CHIP)	0.1uF 25V Z	チ ッ プ セ ラ (F)			01
C510	WF547900	CERAMIC CAPACITOR (CHIP)	10uF 25V K	チ ッ プ セ ラ			01
C512	WF547900	CERAMIC CAPACITOR (CHIP)	10uF 25V K	チ ッ プ セ ラ			01
C513	US063100	CERAMIC CAPACITOR-B (CHIP)	1000pF 50V K	チ ッ プ セ ラ (B)			01
C515	US14510R	CERAMIC CAPACITOR-F (CHIP)	0.1uF 25V Z	チ ッ プ セ ラ (F)			01
C516	US14510R	CERAMIC CAPACITOR-F (CHIP)	0.1uF 25V Z	チ ッ プ セ ラ (F)			01
C517	US14510R	CERAMIC CAPACITOR-F (CHIP)	0.1uF 25V Z	チ ッ プ セ ラ (F)			01
C518	US14510R	CERAMIC CAPACITOR-F (CHIP)	0.1uF 25V Z	チ ッ プ セ ラ (F)			01
C519	US06333R	CERAMIC CAPACITOR-B(CHIP)	3300pF 50V K	チ ッ プ セ ラ (B)			01
C520	US064100	CERAMIC CAPACITOR-B (CHIP)	0.01uF 50V K	チ ッ プ セ ラ (B)			01
* C521	WR062100	ELECTROLYTIC CAP. (CHIP)	47uF 25V	チ ッ プ ケ ミ コ ン			01
* C522	WR062100	ELECTROLYTIC CAP. (CHIP)	47uF 25V	チ ッ プ ケ ミ コ ン			01
C523	WQ614300	CERAMIC CAPACITOR (CHIP)	22pF 10V	チ ッ プ セ ラ			01
C524	WQ614300	CERAMIC CAPACITOR (CHIP)	22pF 10V	チ ッ プ セ ラ			01
* C525	WB576000	POLYESTER FILM CAP.(CHIP)	6800pF 50V J	チ ッ プ マ イ ラ ー コ ン			01
C526	US126100	CERAMIC CAPACITOR-F (CHIP)	1.0uF 10V Z	チ ッ プ セ ラ (F)			01
C528	US126100	CERAMIC CAPACITOR-F (CHIP)	1.0uF 10V Z	チ ッ プ セ ラ (F)			01
-530	US126100	CERAMIC CAPACITOR-F (CHIP)	1.0uF 10V Z	チ ッ プ セ ラ (F)			01
C531	WF547900	CERAMIC CAPACITOR (CHIP)	10uF 25V K	チ ッ プ セ ラ			01
C532	WF547900	CERAMIC CAPACITOR (CHIP)	10uF 25V K	チ ッ プ セ ラ			01
C533	US14510R	CERAMIC CAPACITOR-F (CHIP)	0.1uF 25V Z	チ ッ プ セ ラ (F)			01
C534	UF03810R	ELECTROLYTIC CAP.(CHIP)	100uF 16V	チ ッ プ ケ ミ コ ン			01
C535	US064100	CERAMIC CAPACITOR-B (CHIP)	0.01uF 50V K	チ ッ プ セ ラ (B)			01
C536	UB052100	MONOLITHIC CERAMIC CAP(CHIP)	100pF 50V J	チ ッ プ 積 層 セ ラ コ ン			01
C537	UB052100	MONOLITHIC CERAMIC CAP(CHIP)	100pF 50V J	チ ッ プ 積 層 セ ラ コ ン			01
C538	US062100	CERAMIC CAPACITOR (CHIP)	100pF 50V J	チ ッ プ セ ラ	THR10		01
C538	US062470	CERAMIC CAPACITOR (CHIP)	470pF 50V J	チ ッ プ セ ラ	THR5		01
C539	US062100	CERAMIC CAPACITOR (CHIP)	100pF 50V J	チ ッ プ セ ラ	THR10		01
C539	US063100	CERAMIC CAPACITOR (CHIP)	1000pF 50V K	チ ッ プ セ ラ	THR5		01
CB2	V780890R	CONNECTOR	USB 4P SE	U S B コ ネ ク タ ー	} USB		03
CB2	V902080R	CONNECTOR	USB 4P SE	U S B コ ネ ク タ ー			02
CB5	VB390500	CONNECTOR BASE POST	PH 9P TE	コ ネ ク タ ー ベ ー ス ポ ス ト			03
* CB7	WY096200	CONNECTOR	FMN 16P TE	F M N コ ネ ク タ ー			01
CB8	VB39070R	CONNECTOR BASE POST	PH 11P TE	ベ ー ス ポ ス ト			01
CB9	VL844800	CONNECTOR	XH 4P TE	ベ ー ス ツ キ ポ ス ト			01
CB501	VL844700	CONNECTOR BASE POST	XH 3P TE	ベ ー ス ポ ス ト			01
CB502	LB918020	BASE POST	XH 2P TE	ベ ー ス ポ ス ト			01
D4	V959920R	DIODE (CHIP)	HSU119 TRF-E	チ ッ プ ダ イ オ ー ド	}		01
D4	VT332900	DIODE (CHIP)	1SS355 TE-17	チ ッ プ ダ イ オ ー ド			01
D4	WC398800	DIODE (CHIP)	KDS160-RTK/P	チ ッ プ ダ イ オ ー ド			01
D5	V959920R	DIODE (CHIP)	HSU119 TRF-E	チ ッ プ ダ イ オ ー ド			01
D5	VT332900	DIODE (CHIP)	1SS355 TE-17	チ ッ プ ダ イ オ ー ド	}		01
D5	WC398800	DIODE (CHIP)	KDS160-RTK/P	チ ッ プ ダ イ オ ー ド			01
D6	WB081800	SCHOTTKY DIODE	SB01-05Q-TL-E TP	シ ョ ッ ト キ ー ダ イ オ ー ド			01
-9	WB081800	SCHOTTKY DIODE	SB01-05Q-TL-E TP	シ ョ ッ ト キ ー ダ イ オ ー ド			01
D10	WB081800	SCHOTTKY DIODE	SB01-05Q-TL-E TP	シ ョ ッ ト キ ー ダ イ オ ー ド			01
-13	WB081800	SCHOTTKY DIODE	SB01-05Q-TL-E TP	シ ョ ッ ト キ ー ダ イ オ ー ド			01
D501	V959920R	DIODE (CHIP)	HSU119 TRF-E	チ ッ プ ダ イ オ ー ド	}		01
-505	V959920R	DIODE (CHIP)	HSU119 TRF-E	チ ッ プ ダ イ オ ー ド			01
D501	VT332900	DIODE (CHIP)	1SS355 TE-17	チ ッ プ ダ イ オ ー ド			01
-505	VT332900	DIODE (CHIP)	1SS355 TE-17	チ ッ プ ダ イ オ ー ド			01
D501	WC398800	DIODE (CHIP)	KDS160-RTK/P	チ ッ プ ダ イ オ ー ド	}		01
-505	WC398800	DIODE (CHIP)	KDS160-RTK/P	チ ッ プ ダ イ オ ー ド			01
D506	VV92590R	DIODE	RLS-73 TE-11 TP	ダ イ オ ー ド			01
D507	VV92590R	DIODE	RLS-73 TE-11 TP	ダ イ オ ー ド			01
F502	VZ42850R	CIRCUIT PROTECTOR	MINI SMDC020F-2	ポ リ ス イ ッ チ			02
F503	V2997600	CIRCUIT PROTECTOR	MINISMD050-02	ポ リ ス イ ッ チ			01
IC2	X8386A00	IC	TC7WH14FK(TE85L,F)		C INVERTER		01
IC4	X2656A00	IC	TC7SH08F(TE85L,JF)		C AND		01
IC5	X9347A00	IC	R3112N291A-TR-F		C RESET		01
IC8	XC458A0R	IC	NJM072M(TE1)		C OP AMP		03
IC10	--	IC	UPD800500F1-011-KN		C SSP2	(YC706A0)	
* IC11	YD320A00	IC	R1EX25002ASA00A		C		
* IC11	YD927A00	IC	BR25L020F-WE2		C } EEPROM 2K		

* : New Parts

RANK: Japan only

THR10

THR5

MAIN

REF NO.	PART NO.	DESCRIPTION	部 品 名	REMARKS	QTY	RANK
IC12	X2474A0R	IC	NJM4580V-TE2	C	OP AMP	01
IC16	X2474A0R	IC	NJM4580V-TE2	C	OP AMP	01
IC18	YC159A00	IC	LA4809M-TLM-E	C	POWER AMPLIFIER	03
IC19	X7357A00	IC	PCM1803DBR	C	A/D CONVERTER	04
IC20	X7357A00	IC	PCM1803DBR	C	A/D CONVERTER	04
IC21	X7375A00	IC	PCM1781DBQR	C	D/A CONVERTER	04
IC22	X8969A00	IC	YDA147-SZE2	C	DIGITAL POWER AMPLIFIER	04
* IC301	YD795B00	IC	WRITTEN BY YAMAHA	C	WRITTEN FLASH ROM	
IC302	X5665C00	IC	M12L64164A-7TG2M S	C	SDRAM 64M	03
IC303	X5693C00	IC	M12L16161A-7TG2K S	C	SDRAM 16M	04
IC501	WJ314500	FET	ECH8605-TL-E	F E T		05
* IC504	YA382A00	IC	NJM2386DL3-05(TE1)	C	REGULATOR	
* IC505	YA382A00	IC	NJM2386DL3-05(TE1)	C	REGULATOR	
IC506	YD184B00	IC	BD9329AEFJ	C	DC/DC CONVERTER	
IC507	YD184B00	IC	BD9329AEFJ	C	DC/DC CONVERTER	
J1	RD350001	CARBON RESISTOR (CHIP)	0 1/16W J	チ ッ プ 抵 抗		01
J2	RD150000	CARBON RESISTOR (CHIP)	0 1/4W J	チ ッ プ 抵 抗		01
J5	RD350001	CARBON RESISTOR (CHIP)	0 1/16W J	チ ッ プ 抵 抗		01
J502	RD350001	CARBON RESISTOR (CHIP)	0 1/16W J	チ ッ プ 抵 抗		01
J503	RD150000	CARBON RESISTOR (CHIP)	0 1/4W J	チ ッ プ 抵 抗		01
JK501	V5095000	CONNECTOR	LGP7031-0300F	電 源 ジ ャ ッ ク		04
L3	WR841600	COMMON MODE FILTER	EXC24CG900U	コ モ ン モ ー ド フ ィ ル タ ー		
L4	V8901200	INDUCTOR (CHIP)	BLM21PG221SN1D	チ ッ プ イ ン ダ ク タ ー		01
L5	V8901200	INDUCTOR (CHIP)	BLM21PG221SN1D	チ ッ プ イ ン ダ ク タ ー		01
L6	V6246100	EMI FILTER (CHIP)	NFM3DCC223R1H3L	チ ッ プ E M I フ ィ ル タ ー		01
L7	V6246100	EMI FILTER (CHIP)	NFM3DCC223R1H3L	チ ッ プ E M I フ ィ ル タ ー		01
L8	V8901200	INDUCTOR (CHIP)	BLM21PG221SN1D	チ ッ プ イ ン ダ ク タ ー		01
L9	V6246100	EMI FILTER (CHIP)	NFM3DCC223R1H3L	チ ッ プ E M I フ ィ ル タ ー		01
L20	V2449900	INDUCTOR (CHIP)	BLM21PG600SN1D	チ ッ プ イ ン ダ ク タ ー		01
-24	V2449900	INDUCTOR (CHIP)	BLM21PG600SN1D	チ ッ プ イ ン ダ ク タ ー		01
* L20	WG537200	INDUCTOR (CHIP)	PZ2012U600-3R0T(F)	チ ッ プ イ ン ダ ク タ ー		
* -24	WG537200	INDUCTOR (CHIP)	PZ2012U600-3R0T(F)	チ ッ プ イ ン ダ ク タ ー		
* L25	WN789300	INDUCTOR (CHIP)	10uH B1047AS-100M	チ ッ プ イ ン ダ ク タ ー		
* -28	WN789300	INDUCTOR (CHIP)	10uH B1047AS-100M	チ ッ プ イ ン ダ ク タ ー		
* L29	WP150400	COMMON MODE COIL	#C3H-A0029	コ モ ン モ ー ド コ イ ル		
* L30	WP150400	COMMON MODE COIL	#C3H-A0029	コ モ ン モ ー ド コ イ ル		
L301	V2449900	INDUCTOR (CHIP)	BLM21PG600SN1D	チ ッ プ イ ン ダ ク タ ー		01
* L301	WG537200	INDUCTOR (CHIP)	PZ2012U600-3R0T(F)	チ ッ プ イ ン ダ ク タ ー		
L302	V2449900	INDUCTOR (CHIP)	BLM21PG600SN1D	チ ッ プ イ ン ダ ク タ ー		01
* L302	WG537200	INDUCTOR (CHIP)	PZ2012U600-3R0T(F)	チ ッ プ イ ン ダ ク タ ー		
L501	V2449900	INDUCTOR (CHIP)	BLM21PG600SN1D	チ ッ プ イ ン ダ ク タ ー		01
* L501	WG537200	INDUCTOR (CHIP)	PZ2012U600-3R0T(F)	チ ッ プ イ ン ダ ク タ ー		
L502	V2449900	INDUCTOR (CHIP)	BLM21PG600SN1D	チ ッ プ イ ン ダ ク タ ー		01
* L502	WG537200	INDUCTOR (CHIP)	PZ2012U600-3R0T(F)	チ ッ プ イ ン ダ ク タ ー		
L503	WU058200	INDUCTOR (CHIP)	10uH SWPA6045S100MT	チ ッ プ イ ン ダ ク タ ー		
L504	WU058200	INDUCTOR (CHIP)	10uH SWPA6045S100MT	チ ッ プ イ ン ダ ク タ ー		
* L505	WY004900	COIL	7E06NA-470M-RB	コ イ ル		
L506	V2449900	INDUCTOR (CHIP)	BLM21PG600SN1D	チ ッ プ イ ン ダ ク タ ー		01
* L506	WG537200	INDUCTOR (CHIP)	PZ2012U600-3R0T(F)	チ ッ プ イ ン ダ ク タ ー		
L507	V2449900	INDUCTOR (CHIP)	BLM21PG600SN1D	チ ッ プ イ ン ダ ク タ ー		01
* L507	WG537200	INDUCTOR (CHIP)	PZ2012U600-3R0T(F)	チ ッ プ イ ン ダ ク タ ー		
L509	V2449900	INDUCTOR (CHIP)	BLM21PG600SN1D	チ ッ プ イ ン ダ ク タ ー		01
* L509	WG537200	INDUCTOR (CHIP)	PZ2012U600-3R0T(F)	チ ッ プ イ ン ダ ク タ ー		
L510	V2449900	INDUCTOR (CHIP)	BLM21PG600SN1D	チ ッ プ イ ン ダ ク タ ー		01
* L510	WG537200	INDUCTOR (CHIP)	PZ2012U600-3R0T(F)	チ ッ プ イ ン ダ ク タ ー		
* L511	WW846700	TRANSFORMER	6RLHA	コ ン バ ー タ ー ト ラ ン ス		
L512	V2449900	INDUCTOR (CHIP)	BLM21PG600SN1D	チ ッ プ イ ン ダ ク タ ー		01
* L512	WG537200	INDUCTOR (CHIP)	PZ2012U600-3R0T(F)	チ ッ プ イ ン ダ ク タ ー		
Q1	VD303700	TRANSISTOR	2SC3326 A,B TE85R	ト ラ ン ジ ス タ		01
Q1	WC883401	TRANSISTOR	2SD2704 K	ト ラ ン ジ ス タ		01
Q2	VV655200	DIGITAL TRANSISTOR	DTA143EKA TP	デ ジ タ ル ト ラ ン ジ ス タ		01
Q501	VV556500	TRANSISTOR	2SA1037AK Q,R,S	ト ラ ン ジ ス タ		01
Q501	WC529500	TRANSISTOR	KTA1504S-Y,GR-RTK/	ト ラ ン ジ ス タ		
Q502	VV556400	TRANSISTOR	2SC2412K Q,R,S	ト ラ ン ジ ス タ		01
Q502	WC529400	TRANSISTOR	KTC3875S-Y,GR-RTK/	ト ラ ン ジ ス タ		01
Q503	VV655700	DIGITAL TRANSISTOR	DTC144EKA TP	デ ジ タ ル ト ラ ン ジ ス タ		01
Q504	V303350R	TRANSISTOR	DTC143XKA TP	ト ラ ン ジ ス タ		01
Q509	WR823500	TRANSISTOR	CPH3205	ト ラ ン ジ ス タ		02
Q510	WR823500	TRANSISTOR	CPH3205	ト ラ ン ジ ス タ		02
R1	RD35410R	CARBON RESISTOR (CHIP)	10 1/16W J	チ ッ プ 抵 抗		01

* : New Parts

RANK: Japan only

MAIN

REF NO.	PART NO.	DESCRIPTION		部	品	名	REMARKS	QTY	RANK
R2	RD356100	CARBON RESISTOR (CHIP)	1.0K 1/16W J	チ	ッ	ブ	抵抗		01
R3	RF456150	CARBON RESISTOR (CHIP)	1.5K 1/16W D	チ	ッ	ブ	抵抗		01
R4	RF45616R	CARBON RESISTOR (CHIP)	1.6K 1/16W D	チ	ッ	ブ	抵抗		01
R5	RF45439R	CARBON RESISTOR (CHIP)	39 1/16W D	チ	ッ	ブ	抵抗		01
R6	RF45439R	CARBON RESISTOR (CHIP)	39 1/16W D	チ	ッ	ブ	抵抗		01
R10	RD358470	CARBON RESISTOR (CHIP)	470K 1/16W J	チ	ッ	ブ	抵抗		01
R11	RF456150	CARBON RESISTOR (CHIP)	1.5K 1/16W D	チ	ッ	ブ	抵抗		01
R13	RD355470	CARBON RESISTOR (CHIP)	470 1/16W J	チ	ッ	ブ	抵抗		01
R14	WH211800	RESISTOR ARRAY	10Kx4	抵	抗	ア	レイ		01
R15	RF458470	CARBON RESISTOR (CHIP)	470K 1/16W D	チ	ッ	ブ	抵抗		01
R17	RD35747R	CARBON RESISTOR (CHIP)	47K 1/16W D	チ	ッ	ブ	抵抗		01
R20	RF456100	CARBON RESISTOR (CHIP)	1.0K 1/16W D	チ	ッ	ブ	抵抗		01
R21	RD357100	CARBON RESISTOR (CHIP)	10K 1/16W J	チ	ッ	ブ	抵抗		01
R23	RD357100	CARBON RESISTOR (CHIP)	10K 1/16W J	チ	ッ	ブ	抵抗		01
R24	RD357100	CARBON RESISTOR (CHIP)	10K 1/16W J	チ	ッ	ブ	抵抗		01
R27	RD356100	CARBON RESISTOR (CHIP)	1.0K 1/16W J	チ	ッ	ブ	抵抗		01
R29	RD357100	CARBON RESISTOR (CHIP)	10K 1/16W J	チ	ッ	ブ	抵抗		01
R30	RD354470	CARBON RESISTOR (CHIP)	47 1/16W J	チ	ッ	ブ	抵抗		01
R31	RD350001	CARBON RESISTOR (CHIP)	0 1/16W J	チ	ッ	ブ	抵抗		01
R32	RD354470	CARBON RESISTOR (CHIP)	47 1/16W J	チ	ッ	ブ	抵抗		01
-34	RD354470	CARBON RESISTOR (CHIP)	47 1/16W J	チ	ッ	ブ	抵抗		01
R35	RD358100	CARBON RESISTOR (CHIP)	100K 1/16W J	チ	ッ	ブ	抵抗		01
R37	RD354470	CARBON RESISTOR (CHIP)	47 1/16W J	チ	ッ	ブ	抵抗		01
R38	RD357150	CARBON RESISTOR (CHIP)	15K 1/16W J	チ	ッ	ブ	抵抗		01
R39	RD354470	CARBON RESISTOR (CHIP)	47 1/16W J	チ	ッ	ブ	抵抗		01
R41	RD357100	CARBON RESISTOR (CHIP)	10K 1/16W J	チ	ッ	ブ	抵抗		01
R44	RD354470	CARBON RESISTOR (CHIP)	47 1/16W J	チ	ッ	ブ	抵抗	THR10 only	01
R45	RD357100	CARBON RESISTOR (CHIP)	10K 1/16W J	チ	ッ	ブ	抵抗		01
R46	RD354470	CARBON RESISTOR (CHIP)	47 1/16W J	チ	ッ	ブ	抵抗		01
R47	RD35747R	CARBON RESISTOR (CHIP)	47K 1/16W D	チ	ッ	ブ	抵抗		01
R49	RD358100	CARBON RESISTOR (CHIP)	100K 1/16W J	チ	ッ	ブ	抵抗		01
R50	RD357100	CARBON RESISTOR (CHIP)	10K 1/16W J	チ	ッ	ブ	抵抗		01
R51	RD359100	CARBON RESISTOR (CHIP)	1.0M 1/16W J	チ	ッ	ブ	抵抗		01
R52	RD356100	CARBON RESISTOR (CHIP)	1.0K 1/16W J	チ	ッ	ブ	抵抗		01
R53	RD35747R	CARBON RESISTOR (CHIP)	47K 1/16W D	チ	ッ	ブ	抵抗		01
R54	RF45739R	CARBON RESISTOR (CHIP)	39K 1/16W D	チ	ッ	ブ	抵抗		01
R55	RF457100	CARBON RESISTOR (CHIP)	10K 1/16W D	チ	ッ	ブ	抵抗		01
R56	RD356100	CARBON RESISTOR (CHIP)	1.0K 1/16W J	チ	ッ	ブ	抵抗		01
R57	RD150000	CARBON RESISTOR (CHIP)	0 1/4W J	チ	ッ	ブ	抵抗		01
R58	RD357100	CARBON RESISTOR (CHIP)	10K 1/16W J	チ	ッ	ブ	抵抗		01
R60	RD150000	CARBON RESISTOR (CHIP)	0 1/4W J	チ	ッ	ブ	抵抗		01
R61	RD358100	CARBON RESISTOR (CHIP)	100K 1/16W J	チ	ッ	ブ	抵抗		01
R62	WH211800	RESISTOR ARRAY	10Kx4	抵	抗	ア	レイ		01
R63	RD358100	CARBON RESISTOR (CHIP)	100K 1/16W J	チ	ッ	ブ	抵抗		01
R64	RD354470	CARBON RESISTOR (CHIP)	47 1/16W J	チ	ッ	ブ	抵抗		01
R65	RD35747R	CARBON RESISTOR (CHIP)	47K 1/16W D	チ	ッ	ブ	抵抗		01
R66	RD354470	CARBON RESISTOR (CHIP)	47 1/16W J	チ	ッ	ブ	抵抗		01
R67	WH206200	RESISTOR ARRAY	47x4	抵	抗	ア	レイ		01
R69	RD35747R	CARBON RESISTOR (CHIP)	47K 1/16W D	チ	ッ	ブ	抵抗		01
R70	WH206200	RESISTOR ARRAY	47x4	抵	抗	ア	レイ		01
R71	RD350001	CARBON RESISTOR (CHIP)	0 1/16W J	チ	ッ	ブ	抵抗	THR10 only	01
R72	RD350001	CARBON RESISTOR (CHIP)	0 1/16W J	チ	ッ	ブ	抵抗		01
R73	RD350001	CARBON RESISTOR (CHIP)	0 1/16W J	チ	ッ	ブ	抵抗		01
R74	RD350001	CARBON RESISTOR (CHIP)	0 1/16W J	チ	ッ	ブ	抵抗		01
R75	RD350001	CARBON RESISTOR (CHIP)	0 1/16W J	チ	ッ	ブ	抵抗		01
R76	RD350001	CARBON RESISTOR (CHIP)	0 1/16W J	チ	ッ	ブ	抵抗		01
R77	RD350001	CARBON RESISTOR (CHIP)	0 1/16W J	チ	ッ	ブ	抵抗		01
R85	RD357100	CARBON RESISTOR (CHIP)	10K 1/16W J	チ	ッ	ブ	抵抗		01
R87	WH211800	RESISTOR ARRAY	10Kx4	抵	抗	ア	レイ		01
R90	WH206200	RESISTOR ARRAY	47x4	抵	抗	ア	レイ		01
R92	RD357100	CARBON RESISTOR (CHIP)	10K 1/16W J	チ	ッ	ブ	抵抗		01
R93	RD357100	CARBON RESISTOR (CHIP)	10K 1/16W J	チ	ッ	ブ	抵抗		01
R94	RD350001	CARBON RESISTOR (CHIP)	0 1/16W J	チ	ッ	ブ	抵抗		01
R95	WH211800	RESISTOR ARRAY	10Kx4	抵	抗	ア	レイ		01
R101	WH206200	RESISTOR ARRAY	47x4	抵	抗	ア	レイ		01
R102	RD350001	CARBON RESISTOR (CHIP)	0 1/16W J	チ	ッ	ブ	抵抗		01
-105	RD350001	CARBON RESISTOR (CHIP)	0 1/16W J	チ	ッ	ブ	抵抗		01
R106	RD357100	CARBON RESISTOR (CHIP)	10K 1/16W J	チ	ッ	ブ	抵抗		01
R108	WH211800	RESISTOR ARRAY	10Kx4	抵	抗	ア	レイ		01
R109	WH211800	RESISTOR ARRAY	10Kx4	抵	抗	ア	レイ		01

* : New Parts

RANK: Japan only

THR10

THR5

MAIN

REF NO.	PART NO.	DESCRIPTION	部	品	名	REMARKS	QTY	RANK
R111	RF457120	CARBON RESISTOR (CHIP)	12K	1/16W	D			
R112	RF457120	CARBON RESISTOR (CHIP)	12K	1/16W	D			
R123	RF457360	CARBON RESISTOR (CHIP)	36K	1/16W	D			01
R124	RF456300	CARBON RESISTOR (CHIP)	3.0K	1/16W	D			01
R127	RD35347R	CARBON RESISTOR (CHIP)	4.7	1/16W	J			01
-134	RD35347R	CARBON RESISTOR (CHIP)	4.7	1/16W	J			01
R135	RD355100	CARBON RESISTOR (CHIP)	100	1/16W	J			01
R136	RD355100	CARBON RESISTOR (CHIP)	100	1/16W	J			01
R139	RD357100	CARBON RESISTOR (CHIP)	10K	1/16W	J			01
R140	RD357100	CARBON RESISTOR (CHIP)	10K	1/16W	J			01
R143	RD357100	CARBON RESISTOR (CHIP)	10K	1/16W	J			01
R144	RD357100	CARBON RESISTOR (CHIP)	10K	1/16W	J			01
R145	RD35747R	CARBON RESISTOR (CHIP)	47K	1/16W	D			01
R146	RD355100	CARBON RESISTOR (CHIP)	100	1/16W	J			01
R147	RD355100	CARBON RESISTOR (CHIP)	100	1/16W	J			01
R149	RD356100	CARBON RESISTOR (CHIP)	1.0K	1/16W	J			01
R150	RD356100	CARBON RESISTOR (CHIP)	1.0K	1/16W	J			01
R152	RD35410R	CARBON RESISTOR (CHIP)	10	1/16W	J			01
R153	RD35410R	CARBON RESISTOR (CHIP)	10	1/16W	J			01
R154	RD354470	CARBON RESISTOR (CHIP)	47	1/16W	J			01
R155	RD354470	CARBON RESISTOR (CHIP)	47	1/16W	J			01
R158	RD35410R	CARBON RESISTOR (CHIP)	10	1/16W	J			01
R159	RD35410R	CARBON RESISTOR (CHIP)	10	1/16W	J			01
R160	RD356470	CARBON RESISTOR (CHIP)	4.7K	1/16W	J			01
R161	RD356470	CARBON RESISTOR (CHIP)	4.7K	1/16W	J			01
R162	RD355100	CARBON RESISTOR (CHIP)	100	1/16W	J			01
R163	RD355100	CARBON RESISTOR (CHIP)	100	1/16W	J			01
R164	RD35410R	CARBON RESISTOR (CHIP)	10	1/16W	J			01
R165	RD354470	CARBON RESISTOR (CHIP)	47	1/16W	J			01
R166	RD35410R	CARBON RESISTOR (CHIP)	10	1/16W	J			01
R167	RD354470	CARBON RESISTOR (CHIP)	47	1/16W	J			01
R168	RD354470	CARBON RESISTOR (CHIP)	47	1/16W	J			01
R169	RD35410R	CARBON RESISTOR (CHIP)	10	1/16W	J			01
R170	RD35410R	CARBON RESISTOR (CHIP)	10	1/16W	J			01
R171	RD355100	CARBON RESISTOR (CHIP)	100	1/16W	J			01
R172	RD355100	CARBON RESISTOR (CHIP)	100	1/16W	J			01
R173	RD35410R	CARBON RESISTOR (CHIP)	10	1/16W	J			01
R174	RD356220	CARBON RESISTOR (CHIP)	2.2K	1/16W	J			01
R175	RD356220	CARBON RESISTOR (CHIP)	2.2K	1/16W	J			01
R176	RD356820	CARBON RESISTOR (CHIP)	8.2K	1/16W	J			01
R177	RD356820	CARBON RESISTOR (CHIP)	8.2K	1/16W	J			01
R178	RD356180	CARBON RESISTOR (CHIP)	1.8K	1/16W	J			01
R179	RD356180	CARBON RESISTOR (CHIP)	1.8K	1/16W	J			01
R180	RF45782R	CARBON RESISTOR (CHIP)	82K	1/16W	D			01
R181	RF458180	CARBON RESISTOR (CHIP)	180K	1/16W	D			01
R182	RF457430	CARBON RESISTOR (CHIP)	43K	1/16W	D			01
R183	RD35422R	CARBON RESISTOR (CHIP)	22	1/16W	J			01
-185	RD35422R	CARBON RESISTOR (CHIP)	22	1/16W	J			01
R186	RD358100	CARBON RESISTOR (CHIP)	100K	1/16W	J			01
R187	RD358100	CARBON RESISTOR (CHIP)	100K	1/16W	J			01
R188	RD358100	CARBON RESISTOR (CHIP)	100K	1/16W	J			01
R190	RD358100	CARBON RESISTOR (CHIP)	100K	1/16W	J			01
R192	RD358100	CARBON RESISTOR (CHIP)	100K	1/16W	J			01
R194	RD358100	CARBON RESISTOR (CHIP)	100K	1/16W	J			01
R196	RD358100	CARBON RESISTOR (CHIP)	100K	1/16W	J			01
R197	RD358100	CARBON RESISTOR (CHIP)	100K	1/16W	J			01
R199	RD354470	CARBON RESISTOR (CHIP)	47	1/16W	J			01
-202	RD354470	CARBON RESISTOR (CHIP)	47	1/16W	J			01
R203	RD35410R	CARBON RESISTOR (CHIP)	10	1/16W	J			01
R204	RD354470	CARBON RESISTOR (CHIP)	47	1/16W	J			01
R205	RD354470	CARBON RESISTOR (CHIP)	47	1/16W	J			01
R208	WH211800	RESISTOR ARRAY	10Kx4					01
R211	RD357100	CARBON RESISTOR (CHIP)	10K	1/16W	J			01
R216	RD35410R	CARBON RESISTOR (CHIP)	10	1/16W	J			01
R218	RD357100	CARBON RESISTOR (CHIP)	10K	1/16W	J			01
R219	RD357100	CARBON RESISTOR (CHIP)	10K	1/16W	J			01
R220	RD357100	CARBON RESISTOR (CHIP)	10K	1/16W	J			01
R301	RD354470	CARBON RESISTOR (CHIP)	47	1/16W	J			01
R302	RD354470	CARBON RESISTOR (CHIP)	47	1/16W	J			01
R303	RD354680	CARBON RESISTOR (CHIP)	68	1/16W	J			01

*: New Parts

RANK: Japan only

THR10

THR5

THR10

MAIN and OPERATION

REF NO.	PART NO.	DESCRIPTION		部	品	名	REMARKS	QTY	RANK
R304	RD354470	CARBON RESISTOR (CHIP)	47 1/16W J	チ	ッ	ブ 抵 抗			01
-306	RD354470	CARBON RESISTOR (CHIP)	47 1/16W J	チ	ッ	ブ 抵 抗			01
R307	WH206200	RESISTOR ARRAY	47x4	抵	抗	ア レ イ			01
-315	WH206200	RESISTOR ARRAY	47x4	抵	抗	ア レ イ			01
R316	RD354470	CARBON RESISTOR (CHIP)	47 1/16W J	チ	ッ	ブ 抵 抗			01
R317	RD354680	CARBON RESISTOR (CHIP)	68 1/16W J	チ	ッ	ブ 抵 抗			01
R318	WH205400	RESISTOR ARRAY	22x4	抵	抗	ア レ イ			01
-321	WH205400	RESISTOR ARRAY	22x4	抵	抗	ア レ イ			01
R322	WH206600	RESISTOR ARRAY	68x4	抵	抗	ア レ イ			01
-325	WH206600	RESISTOR ARRAY	68x4	抵	抗	ア レ イ			01
R326	RD354470	CARBON RESISTOR (CHIP)	47 1/16W J	チ	ッ	ブ 抵 抗			01
R327	RD354680	CARBON RESISTOR (CHIP)	68 1/16W J	チ	ッ	ブ 抵 抗			01
R328	RD354680	CARBON RESISTOR (CHIP)	68 1/16W J	チ	ッ	ブ 抵 抗			01
R329	RD357100	CARBON RESISTOR (CHIP)	10K 1/16W J	チ	ッ	ブ 抵 抗			01
R330	WH206600	RESISTOR ARRAY	68x4	抵	抗	ア レ イ			01
-333	WH206600	RESISTOR ARRAY	68x4	抵	抗	ア レ イ			01
R334	RD357100	CARBON RESISTOR (CHIP)	10K 1/16W J	チ	ッ	ブ 抵 抗			01
R335	RD357100	CARBON RESISTOR (CHIP)	10K 1/16W J	チ	ッ	ブ 抵 抗			01
R336	WH206200	RESISTOR ARRAY	47x4	抵	抗	ア レ イ			01
-339	WH206200	RESISTOR ARRAY	47x4	抵	抗	ア レ イ			01
R501	RF458100	CARBON RESISTOR (CHIP)	100K 1/16W D	チ	ッ	ブ 抵 抗			01
R502	RD35422R	CARBON RESISTOR (CHIP)	22 1/16W J	チ	ッ	ブ 抵 抗			01
R503	RF457470	CARBON RESISTOR (CHIP)	47K 1/16W D	チ	ッ	ブ 抵 抗			01
R504	RF458100	CARBON RESISTOR (CHIP)	100K 1/16W D	チ	ッ	ブ 抵 抗			01
R505	RD35422R	CARBON RESISTOR (CHIP)	22 1/16W J	チ	ッ	ブ 抵 抗			01
R506	RD358100	CARBON RESISTOR (CHIP)	100K 1/16W J	チ	ッ	ブ 抵 抗			01
R507	RF458100	CARBON RESISTOR (CHIP)	100K 1/16W D	チ	ッ	ブ 抵 抗			01
R508	RD350001	CARBON RESISTOR (CHIP)	0 1/16W J	チ	ッ	ブ 抵 抗			01
R509	RF457270	CARBON RESISTOR (CHIP)	27K 1/16W D	チ	ッ	ブ 抵 抗			01
R510	RD357100	CARBON RESISTOR (CHIP)	10K 1/16W J	チ	ッ	ブ 抵 抗			01
* R512	WS620200	CARBON RESISTOR (CHIP)	0.22 1W J	チ	ッ	ブ 抵 抗			01
R519	RD357100	CARBON RESISTOR (CHIP)	10K 1/16W J	チ	ッ	ブ 抵 抗			01
R522	RD355100	CARBON RESISTOR (CHIP)	100 1/16W J	チ	ッ	ブ 抵 抗			01
R523	RD357100	CARBON RESISTOR (CHIP)	10K 1/16W J	チ	ッ	ブ 抵 抗			01
R525	RD356750	CARBON RESISTOR (CHIP)	75K 1/16W J	チ	ッ	ブ 抵 抗			01
R526	RF456220	CARBON RESISTOR (CHIP)	2.2K 1/16W D	チ	ッ	ブ 抵 抗			01
R527	RF457150	CARBON RESISTOR (CHIP)	15K 1/16W D	チ	ッ	ブ 抵 抗			01
R528	RF456750	CARBON RESISTOR (CHIP)	75K 1/16W D	チ	ッ	ブ 抵 抗			01
R529	RD35627R	CARBON RESISTOR (CHIP)	2.7K 1/16W J	チ	ッ	ブ 抵 抗			01
R530	RF457100	CARBON RESISTOR (CHIP)	10K 1/16W D	チ	ッ	ブ 抵 抗			01
R531	RF45720R	CARBON RESISTOR (CHIP)	20K 1/16W D	チ	ッ	ブ 抵 抗			01
R532	RD357100	CARBON RESISTOR (CHIP)	10K 1/16W J	チ	ッ	ブ 抵 抗			01
R533	RF457470	CARBON RESISTOR (CHIP)	47K 1/16W D	チ	ッ	ブ 抵 抗			01
R534	RD256300	CARBON RESISTOR (CHIP)	3K 1/10W J	チ	ッ	ブ 抵 抗			01
-539	RD256300	CARBON RESISTOR (CHIP)	3K 1/10W J	チ	ッ	ブ 抵 抗			01
ST1	WA789600	SCREW TERMINAL	M3	ス	ク	リ	ューターミナル		
ST1	--	SCREW TERMINAL	M3	ス	ク	リ	ューターミナル	(WR26120)	
ST1	WR364700	SCREW TERMINAL	M3	ス	ク	リ	ューターミナル		01
ST2	WA789600	SCREW TERMINAL	M3	ス	ク	リ	ューターミナル		
ST2	--	SCREW TERMINAL	M3	ス	ク	リ	ューターミナル	(WR26120)	
ST2	WR364700	SCREW TERMINAL	M3	ス	ク	リ	ューターミナル		01
XL1	WV566200	RESONATOR QUARTZ	12.288MHz DSX321G	水	晶	振	動子		
XL2	WG415900	QUARTZ CRYSTAL UNIT	DSX321G 30MHZ	水	晶	振	動子		03
*	WZ259100	CIRCUIT BOARD	OPERATION	OPERATION	シ	ー	ト	THR10	(YD789B0)
C601	US063100	CERAMIC CAPACITOR-B (CHIP)	1000pF 50V K	チ	ッ	ブ	セラ (B)		01
C602	US064100	CERAMIC CAPACITOR-B (CHIP)	0.01uF 50V K	チ	ッ	ブ	セラ (B)		01
C603	US062220	CERAMIC CAPACITOR-SL(CHIP)	220pF 50V J	チ	ッ	ブ	セラ (S L)		01
C604	US063100	CERAMIC CAPACITOR-B (CHIP)	1000pF 50V K	チ	ッ	ブ	セラ (B)		01
C605	US064100	CERAMIC CAPACITOR-B (CHIP)	0.01uF 50V K	チ	ッ	ブ	セラ (B)		01
C606	WP882000	CERAMIC CAPACITOR (CHIP)	10uF 6.3V K	チ	ッ	ブ	セラ		
C607	US135100	CERAMIC CAPACITOR-F (CHIP)	0.1uF 16V Z	チ	ッ	ブ	セラ (F)		01
C611	US135100	CERAMIC CAPACITOR-F (CHIP)	0.1uF 16V Z	チ	ッ	ブ	セラ (F)		01
-613	US135100	CERAMIC CAPACITOR-F (CHIP)	0.1uF 16V Z	チ	ッ	ブ	セラ (F)		01
C614	US063100	CERAMIC CAPACITOR-B (CHIP)	1000pF 50V K	チ	ッ	ブ	セラ (B)		01
C618	WP882000	CERAMIC CAPACITOR (CHIP)	10uF 6.3V K	チ	ッ	ブ	セラ		
C621	WP882000	CERAMIC CAPACITOR (CHIP)	10uF 6.3V K	チ	ッ	ブ	セラ		
C623	US063100	CERAMIC CAPACITOR-B (CHIP)	1000pF 50V K	チ	ッ	ブ	セラ (B)		01
* CB603	V7414500	CONNECTOR	FMN 16P TE	F	M	N	コネクター		
D603	V959920R	DIODE (CHIP)	HSU119 TRF-E	チ	ッ	ブ	ダイオード		01

* : New Parts

RANK: Japan only

THR10

OPERATION

REF NO.	PART NO.	DESCRIPTION	部 品 名	REMARKS	QTY	RANK
-605	V959920R	DIODE (CHIP)	HSU119 TRF-E	チ ッ プ ダ イ オ ー ド		01
D603	VT332900	DIODE (CHIP)	1SS355 TE-17	チ ッ プ ダ イ オ ー ド		01
-605	VT332900	DIODE (CHIP)	1SS355 TE-17	チ ッ プ ダ イ オ ー ド		01
D603	WC398800	DIODE (CHIP)	KDS160-RTK/P	チ ッ プ ダ イ オ ー ド		01
-605	WC398800	DIODE (CHIP)	KDS160-RTK/P	チ ッ プ ダ イ オ ー ド		01
D607	WV760900	LED DISPLAY	HTYMH01D	L E D デ ィ ス プ レ イ	LED DISPLAY	
D608	V959920R	DIODE (CHIP)	HSU119 TRF-E	チ ッ プ ダ イ オ ー ド		01
D608	VT332900	DIODE (CHIP)	1SS355 TE-17	チ ッ プ ダ イ オ ー ド		01
D608	WC398800	DIODE (CHIP)	KDS160-RTK/P	チ ッ プ ダ イ オ ー ド		01
* D609	WY830000	LED (ORANGE)	204-10USOC/S530-A3	L E D	BASS	
D610	V959920R	DIODE (CHIP)	HSU119 TRF-E	チ ッ プ ダ イ オ ー ド		01
D610	VT332900	DIODE (CHIP)	1SS355 TE-17	チ ッ プ ダ イ オ ー ド		01
D610	WC398800	DIODE (CHIP)	KDS160-RTK/P	チ ッ プ ダ イ オ ー ド		01
* D613	WY830000	LED (ORANGE)	204-10USOC/S530-A3	L E D	LEAD	
* D614	WY830000	LED (ORANGE)	204-10USOC/S530-A3	L E D	CLEAN	
D615	V959920R	DIODE (CHIP)	HSU119 TRF-E	チ ッ プ ダ イ オ ー ド		01
D615	VT332900	DIODE (CHIP)	1SS355 TE-17	チ ッ プ ダ イ オ ー ド		01
D615	WC398800	DIODE (CHIP)	KDS160-RTK/P	チ ッ プ ダ イ オ ー ド		01
* D616	WY830000	LED (ORANGE)	204-10USOC/S530-A3	L E D	ACO	
* D619	WY830000	LED (ORANGE)	204-10USOC/S530-A3	L E D	FLAT	
* D620	WY830000	LED (ORANGE)	204-10USOC/S530-A3	L E D	MODERN	
* D621	WY830000	LED (ORANGE)	204-10USOC/S530-A3	L E D	CRUNCH	
* D623	WY830000	LED (ORANGE)	204-10USOC/S530-A3	L E D	BRIT HI	
* D624	WY781300	LED (ORANGE)	SLI-430DUTF7 OR	L E D		
* D625	WY781300	LED (ORANGE)	SLI-430DUTF7 OR	L E D		
IC601	XY879A00	IC	TC74HC4053AF(EL,F)	イ ン テ ー ジ ング	MULTIPLEXER	03
J602	RD350000	CARBON RESISTOR (CHIP)	0 1/16W J	チ ッ プ 抵 抗		01
JK601	WJ250300	MINI JACK	LGS6506-0700F	ミ ニ ジャ ッ ク	AUX	04
JK602	WP945900	PHONE JACK	MSJ-064-05B	ホ ー ン ジャ ッ ク	PHONE	
* JK603	WZ167700	PHONE JACK	HTJ-064-12IMP	ホ ー ン ジャ ッ ク	INPUT	
L601	V306340R	INDUCTOR (CHIP)	BLM18BD601SN1D	チ ッ プ イ ン ダ ク タ ー		01
-609	V306340R	INDUCTOR (CHIP)	BLM18BD601SN1D	チ ッ プ イ ン ダ ク タ ー		01
PN1	V9637500	PIN	V963750 L=70 #18	ス タ イ ル ピ ン		
Q604	V303350R	TRANSISTOR	DTC143XKA TP	ト ラ ン ジ ス タ		01
-606	V303350R	TRANSISTOR	DTC143XKA TP	ト ラ ン ジ ス タ		01
Q610	ZA302600	DIGITAL TRANSISTOR	DTA113ZKA	デ ジ タ ル ト ラ ン ジ ス タ		01
-612	ZA302600	DIGITAL TRANSISTOR	DTA113ZKA	デ ジ タ ル ト ラ ン ジ ス タ		01
Q614	V303350R	TRANSISTOR	DTC143XKA TP	ト ラ ン ジ ス タ		01
Q616	V303350R	TRANSISTOR	DTC143XKA TP	ト ラ ン ジ ス タ		01
Q618	V303350R	TRANSISTOR	DTC143XKA TP	ト ラ ン ジ ス タ		01
Q620	V303350R	TRANSISTOR	DTC143XKA TP	ト ラ ン ジ ス タ		01
Q622	V303350R	TRANSISTOR	DTC143XKA TP	ト ラ ン ジ ス タ		01
Q624	V303350R	TRANSISTOR	DTC143XKA TP	ト ラ ン ジ ス タ		01
Q626	V303350R	TRANSISTOR	DTC143XKA TP	ト ラ ン ジ ス タ		01
R603	RD355120	CARBON RESISTOR (CHIP)	120 1/16W J	チ ッ プ 抵 抗		01
R605	RD355120	CARBON RESISTOR (CHIP)	120 1/16W J	チ ッ プ 抵 抗		01
R607	RD355120	CARBON RESISTOR (CHIP)	120 1/16W J	チ ッ プ 抵 抗		01
R610	RD355120	CARBON RESISTOR (CHIP)	120 1/16W J	チ ッ プ 抵 抗		01
R611	RD355120	CARBON RESISTOR (CHIP)	120 1/16W J	チ ッ プ 抵 抗		01
R614	RD355120	CARBON RESISTOR (CHIP)	120 1/16W J	チ ッ プ 抵 抗		01
R615	RD355120	CARBON RESISTOR (CHIP)	120 1/16W J	チ ッ プ 抵 抗		01
R616	RD354620	CARBON RESISTOR (CHIP)	62 1/16W J	チ ッ プ 抵 抗		01
R619	RD354620	CARBON RESISTOR (CHIP)	62 1/16W J	チ ッ プ 抵 抗		01
-621	RD354620	CARBON RESISTOR (CHIP)	62 1/16W J	チ ッ プ 抵 抗		01
R624	RD354620	CARBON RESISTOR (CHIP)	62 1/16W J	チ ッ プ 抵 抗		01
-626	RD354620	CARBON RESISTOR (CHIP)	62 1/16W J	チ ッ プ 抵 抗		01
R628	RD354620	CARBON RESISTOR (CHIP)	62 1/16W J	チ ッ プ 抵 抗		01
R629	RD356100	CARBON RESISTOR (CHIP)	1.0K 1/16W J	チ ッ プ 抵 抗		01
R630	RD356100	CARBON RESISTOR (CHIP)	1.0K 1/16W J	チ ッ プ 抵 抗		01
R633	RD355100	CARBON RESISTOR (CHIP)	100 1/16W J	チ ッ プ 抵 抗		01
R634	RD355100	CARBON RESISTOR (CHIP)	100 1/16W J	チ ッ プ 抵 抗		01
R635	RD357100	CARBON RESISTOR (CHIP)	10K 1/16W J	チ ッ プ 抵 抗		01
-644	RD357100	CARBON RESISTOR (CHIP)	10K 1/16W J	チ ッ プ 抵 抗		01
R645	RD35747R	CARBON RESISTOR (CHIP)	47K 1/16W D	チ ッ プ 抵 抗		01
ST1	WA789600	SCREW TERMINAL	M3 RX-V340SZ	ス ク リ ュ ー タ ー ミ ナ ル		
ST1	-	SCREW TERMINAL		ス ク リ ュ ー タ ー ミ ナ ル	(WR26120)	
ST1	WR364700	SCREW TERMINAL	M3	ス ク リ ュ ー タ ー ミ ナ ル		01
* SW602	WY111900	ROTARY ENCODER	REB161(9X7)PVB20FH	ロ ー タ リ ー エ ン コ ー ダ ー	AMP	
SW606	V4757100	TACT SWITCH	EVQ 11A 04M	タ ク ト ス イ ッ チ		01
SW606	WD483100	TACT SWITCH	SKRGAAD010	タ ク ト ス イ ッ チ	TUNER/TAP	01

* : New Parts

RANK: Japan only

OPERATION

REF NO.	PART NO.	DESCRIPTION		部 品 名	REMARKS	QTY	RANK
SW607	V4757100	TACT SWITCH	EVQ 11A 04M	タクトスイッチ	} USER MEMORY 1		01
SW607	WD483100	TACT SWITCH	SKRGAAD010	タクトスイッチ			01
SW608	V4757100	TACT SWITCH	EVQ 11A 04M	タクトスイッチ	} USER MEMORY 2		01
SW608	WD483100	TACT SWITCH	SKRGAAD010	タクトスイッチ			01
SW609	V4757100	TACT SWITCH	EVQ 11A 04M	タクトスイッチ	} USER MEMORY 3		01
SW609	WD483100	TACT SWITCH	SKRGAAD010	タクトスイッチ			01
SW610	V4757100	TACT SWITCH	EVQ 11A 04M	タクトスイッチ	} USER MEMORY 4		01
SW610	WD483100	TACT SWITCH	SKRGAAD010	タクトスイッチ			01
SW611	V4757100	TACT SWITCH	EVQ 11A 04M	タクトスイッチ	} USER MEMORY 5		01
SW611	WD483100	TACT SWITCH	SKRGAAD010	タクトスイッチ			01
* SW612	WZ486000	TOGGLE SWITCH	AS-500A-B-PCB	トグルスイッチ	POWER SWITCH		
TH601	VV45790R	CIRCUIT PROTECTOR	RUEF160 1.60A 30V	ポリスイッチ			02
* VR3	WY111800	ROTARY VARIABLE RESISTOR	B 10K	ロータリーボリューム	GAIN		
* VR4	WY111800	ROTARY VARIABLE RESISTOR	B 10K	ロータリーボリューム	MASTER		
* VR5	WY111800	ROTARY VARIABLE RESISTOR	B 10K	ロータリーボリューム	USB/AUX		
* VR6	WY111800	ROTARY VARIABLE RESISTOR	B 10K	ロータリーボリューム	DLY/REV		
* VR7	WY111800	ROTARY VARIABLE RESISTOR	B 10K	ロータリーボリューム	BASS		
* VR8	WY111800	ROTARY VARIABLE RESISTOR	B 10K	ロータリーボリューム	EFFECT		
* VR9	WY111800	ROTARY VARIABLE RESISTOR	B 10K	ロータリーボリューム	TREBLE		
* VR10	WY111800	ROTARY VARIABLE RESISTOR	B 10K	ロータリーボリューム	MIDDLE		
* VR11	WY111800	ROTARY VARIABLE RESISTOR	B 10K	ロータリーボリューム	GUITAR		
W601	--	CONNECTOR ASSEMBLY	11P 100mm JB-PH B&C	コネクタ A s s ' y	(WZ22280)		
W603	--	CONNECTOR ASSEMBLY	2P/7P 80mm/50mm SAN-PH	コネクタ A s s ' y	(ZA35260)		
W605	--	CONNECTOR ASSEMBLY	3P 250mm B&C BL	コネクタ A s s ' y	(WM66360)		
W606	--	CONNECTOR ASSEMBLY	2P 160mm B&C BL	コネクタ A s s ' y	(WM66120)		
* C601	WZ259200	CIRCUIT BOARD	OPERATION	OPERATIONシート	THR5 (YD790B0)		
C601	US063100	CERAMIC CAPACITOR-B (CHIP)	1000pF 50V K	チップセラ(B)			01
C602	US064100	CERAMIC CAPACITOR-B (CHIP)	0.01uF 50V K	チップセラ(B)			01
C603	US062220	CERAMIC CAPACITOR-SL(CHIP)	220pF 50V J	チップセラ(SL)			01
C604	US063100	CERAMIC CAPACITOR-B (CHIP)	1000pF 50V K	チップセラ(B)			01
C605	US064100	CERAMIC CAPACITOR-B (CHIP)	0.01uF 50V K	チップセラ(B)			01
C608	US135100	CERAMIC CAPACITOR-F (CHIP)	0.1uF 16V Z	チップセラ(F)			01
-610	US135100	CERAMIC CAPACITOR-F (CHIP)	0.1uF 16V Z	チップセラ(F)			01
C614	US063100	CERAMIC CAPACITOR-B (CHIP)	1000pF 50V K	チップセラ(B)			01
C615	WP882000	CERAMIC CAPACITOR (CHIP)	10uF 6.3V K	チップセラ			
C618	WP882000	CERAMIC CAPACITOR (CHIP)	10uF 6.3V K	チップセラ			
C622	US063100	CERAMIC CAPACITOR-B (CHIP)	1000pF 50V K	チップセラ(B)			01
* CB602	V7414500	CONNECTOR	FMN 16P TE	F M N コネクター			
D602	V959920R	DIODE (CHIP)	HSU119 TRF-E	チップダイオード			01
D602	VT332900	DIODE (CHIP)	1SS355 TE-17	チップダイオード	} LED DISPLAY		01
D602	WC398800	DIODE (CHIP)	KDS160-RTK/P	チップダイオード			01
D606	WV760900	LED DISPLAY	HTYMH01D	LEDディスプレイ			
* D611	WY830000	LED (ORANGE)	204-10USOC/S530-A3	L E D	LEAD		
* D612	WY830000	LED (ORANGE)	204-10USOC/S530-A3	L E D	CLEAN		
* D617	WY830000	LED (ORANGE)	204-10USOC/S530-A3	L E D	MODERN		
* D618	WY830000	LED (ORANGE)	204-10USOC/S530-A3	L E D	CRUNCH		
* D622	WY830000	LED (ORANGE)	204-10USOC/S530-A3	L E D	BRIT/HI		
* D626	WY781300	LED (ORANGE)	SLI-430DUTF7 OR	L E D			
* D627	WY781300	LED (ORANGE)	SLI-430DUTF7 OR	L E D			
J602	RD350000	CARBON RESISTOR (CHIP)	0 1/16W J	チップ抵抗			01
JK601	WJ250300	MINI JACK	LGS6506-0700F	ミニジャック			04
JK602	WP945900	CONNECTOR	MSJ-064-05B	ホーンジャック			
* JK603	WZ167700	CONNECTOR	HTJ-064-12IMP	ホーンコネクター			
L601	V306340R	INDUCTANCE (CHIP)	BLM18BD601SN1D	チップインダクター			01
-605	V306340R	INDUCTANCE (CHIP)	BLM18BD601SN1D	チップインダクター			01
L607	V306340R	INDUCTANCE (CHIP)	BLM18BD601SN1D	チップインダクター			01
-609	V306340R	INDUCTANCE (CHIP)	BLM18BD601SN1D	チップインダクター			01
Q601	V303350R	TRANSISTOR	DTC143XKA TP	トランジスタ			01
-603	V303350R	TRANSISTOR	DTC143XKA TP	トランジスタ			01
Q607	ZA302600	DIGITAL TRANSISTOR	DTA113ZKA	デジタルトランジスタ			01
-609	ZA302600	DIGITAL TRANSISTOR	DTA113ZKA	デジタルトランジスタ			01
Q613	V303350R	TRANSISTOR	DTC143XKA TP	トランジスタ			01
Q615	V303350R	TRANSISTOR	DTC143XKA TP	トランジスタ			01
Q617	V303350R	TRANSISTOR	DTC143XKA TP	トランジスタ			01
Q619	V303350R	TRANSISTOR	DTC143XKA TP	トランジスタ			01
Q621	V303350R	TRANSISTOR	DTC143XKA TP	トランジスタ			01
Q623	V303350R	TRANSISTOR	DTC143XKA TP	トランジスタ			01
Q625	V303350R	TRANSISTOR	DTC143XKA TP	トランジスタ			01
R602	RD355120	CARBON RESISTOR (CHIP)	120 1/16W J	チップ抵抗			01

* : New Parts

RANK: Japan only

THR5

OPERATION

REF NO.	PART NO.	DESCRIPTION		部 品 名	REMARKS	QTY	RANK
R604	RD355120	CARBON RESISTOR (CHIP)	120 1/16W J	チ ッ プ 抵 抗			01
R606	RD355120	CARBON RESISTOR (CHIP)	120 1/16W J	チ ッ プ 抵 抗			01
R608	RD355120	CARBON RESISTOR (CHIP)	120 1/16W J	チ ッ プ 抵 抗			01
R609	RD355120	CARBON RESISTOR (CHIP)	120 1/16W J	チ ッ プ 抵 抗			01
R612	RD355120	CARBON RESISTOR (CHIP)	120 1/16W J	チ ッ プ 抵 抗			01
R613	RD355120	CARBON RESISTOR (CHIP)	120 1/16W J	チ ッ プ 抵 抗			01
R617	RD354620	CARBON RESISTOR (CHIP)	62 1/16W J	チ ッ プ 抵 抗			01
R618	RD354620	CARBON RESISTOR (CHIP)	62 1/16W J	チ ッ プ 抵 抗			01
R622	RD354620	CARBON RESISTOR (CHIP)	62 1/16W J	チ ッ プ 抵 抗			01
R623	RD354620	CARBON RESISTOR (CHIP)	62 1/16W J	チ ッ プ 抵 抗			01
R627	RD354620	CARBON RESISTOR (CHIP)	62 1/16W J	チ ッ プ 抵 抗			01
R629	RD356100	CARBON RESISTOR (CHIP)	1.0K 1/16W J	チ ッ プ 抵 抗			01
R630	RD356100	CARBON RESISTOR (CHIP)	1.0K 1/16W J	チ ッ プ 抵 抗			01
R635	RD355100	CARBON RESISTOR (CHIP)	100 1/16W J	チ ッ プ 抵 抗			01
R636	RD355100	CARBON RESISTOR (CHIP)	100 1/16W J	チ ッ プ 抵 抗			01
R637	RD357100	CARBON RESISTOR (CHIP)	10K 1/16W J	チ ッ プ 抵 抗			01
-646	RD357100	CARBON RESISTOR (CHIP)	10K 1/16W J	チ ッ プ 抵 抗			01
ST1	WA789600	SCREW TERMINAL	M3 RX-V340SZ	スクリューターミナル	(WR26120)		
ST1	--	SCREW TERMINAL		スクリューターミナル			
ST1	WR364700	SCREW TERMINAL	M3	スクリューターミナル			01
* SW601	WY111900	ROTARY ENCODER	REB161(9X7)PVB20FH	ロータリーエンコーダー	AMP		
SW605	V4757100	TACT SWITCH	EVQ 11A 04M	タクトスイッチ	} TUNER/TAP		01
SW605	WD483100	TACT SWITCH	SKRGAAD010	タクトスイッチ			01
* SW606	WZ486000	TOGGLE SWITCH	AS-500A-B-PCB	トグルスイッチ	POWER SWITCH		
TH601	VV45790R	CIRCUIT PROTECTOR	RUEF160 1.60A 30V	ポリスイッチ			02
* VR3	WY111800	ROTARY VARIABLE RESISTOR	B 10K	ロータリーボリューム	GAIN		
* VR4	WY111800	ROTARY VARIABLE RESISTOR	B 10K	ロータリーボリューム	VOLUME		
* VR5	WY111800	ROTARY VARIABLE RESISTOR	B 10K	ロータリーボリューム	USB/AUX		
* VR6	WY111800	ROTARY VARIABLE RESISTOR	B 10K	ロータリーボリューム	DRY/REV		
* VR7	WY111800	ROTARY VARIABLE RESISTOR	B 10K	ロータリーボリューム	TONE		
* VR8	WY111800	ROTARY VARIABLE RESISTOR	B 10K	ロータリーボリューム	EFFECT		
W602	--	CONNECTOR ASSEMBLY	11P 70mm JB-PH B&C	コネクタ A s s ' y	(WZ22290)		
W603	--	CONNECTOR ASSEMBLY	2P/7P 80mm/50mm SAN-PH	コネクタ A s s ' y	(ZA35260)		
W604	--	CONNECTOR ASSEMBLY	3P 200mm B&C BL	コネクタ A s s ' y	(WM66350)		
W606	--	CONNECTOR ASSEMBLY	2P 160mm B&C BL	コネクタ A s s ' y	(WM66120)		

* : New Parts

RANK: Japan only

GUITAR AMPLIFIER

THR10/THR5

CIRCUIT DIAGRAM

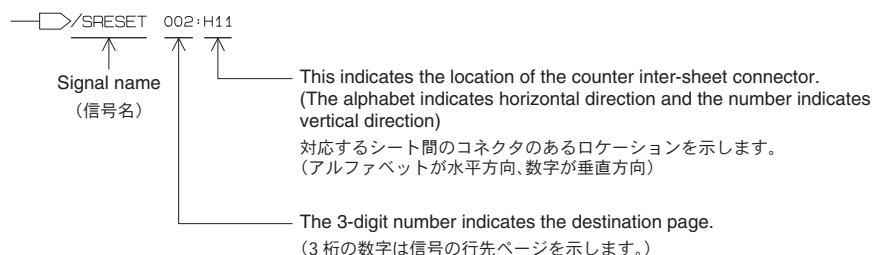
■ CONTENTS (目次)

CIRCUIT DIAGRAM (回路図)


THR10	MAIN 1/2	1
	MAIN 2/2	3
	OPERATION (1), (2), (3), (4)	5
THR5	MAIN 1/2	2
	MAIN 2/2	4
	OPERATION (1), (2), (3), (4)	6


Notation for Circuit Diagrams (回路図表記上の注意)

How to identify inter-sheet connectors (シート間コネクタの読み方について)



■ WARNING (注意)

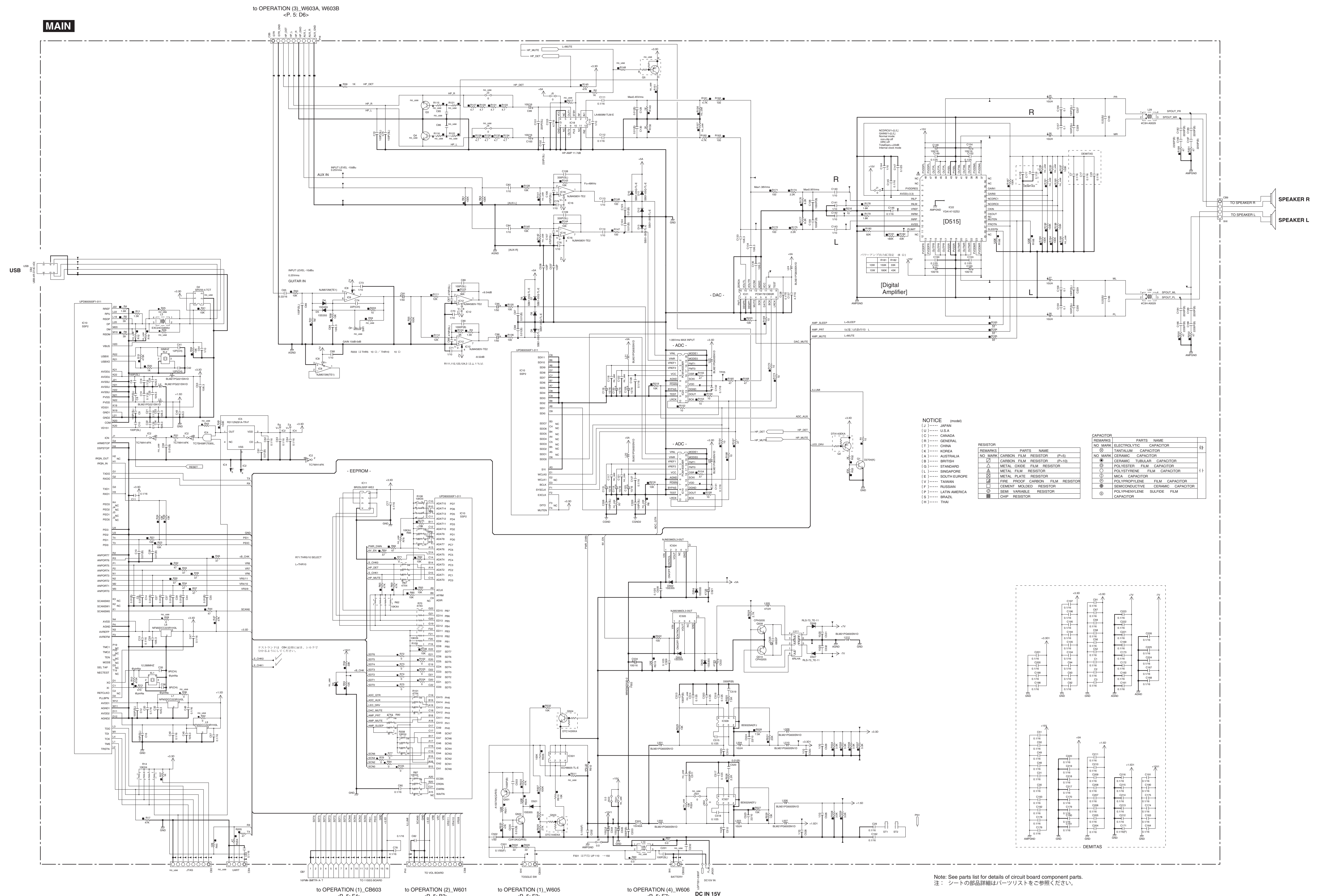
Components having special characteristics are marked  and must be replaced with parts having specification equal to those originally installed.

 印の部品は、安全を維持するために重要な部品です。交換する場合は、安全のために必ず指定の部品をご使用ください。

THR10/THR5 OVERALL CIRCUIT DIAGRAM 1/6 (総回路図 1/6) (MAIN 1/2)

THR10

MAIN



NOTICE (備考)

(J) JAPAN
 (U) USA
 (C) CANADA
 (R) GENERAL
 (T) CHINA
 (K) KOREA
 (A) AUSTRALIA
 (B) BRITISH
 (G) STANDARD
 (L) SINGAPORE
 (E) SOUTH EUROPE
 (V) TAIWAN
 (F) RUSSIAN
 (P) LATIN AMERICA
 (S) BRAZIL
 (H) THAI

REMARKS	PARTS NAME
NO MARK	CARBON FILM RESISTOR (J-2)
△	CARBON FILM RESISTOR (J-10)
▲	METAL OXIDE FILM RESISTOR
△	METAL FILM RESISTOR
□	METAL PLATE RESISTOR
◇	FIRE PROOF CARBON FILM RESISTOR
■	CEMENT MOUNTED RESISTOR
◎	SEM VARIABLE RESISTOR
■	CHIP RESISTOR

REMARKS	PARTS NAME
NO MARK	ELECTROLYTIC CAPACITOR
⊗	TANTALUM CAPACITOR
NO MARK	CERAMIC CAPACITOR
⊙	CERAMIC TUBULAR CAPACITOR
⊕	POLYESTER FILM CAPACITOR
⊖	POLYSTYRENE FILM CAPACITOR
⊗	POLYPROPYLENE FILM CAPACITOR
⊙	MICA CAPACITOR
⊕	SEMICONDUCTIVE CERAMIC CAPACITOR
⊖	POLYETHYLENE SULFIDE FILM CAPACITOR

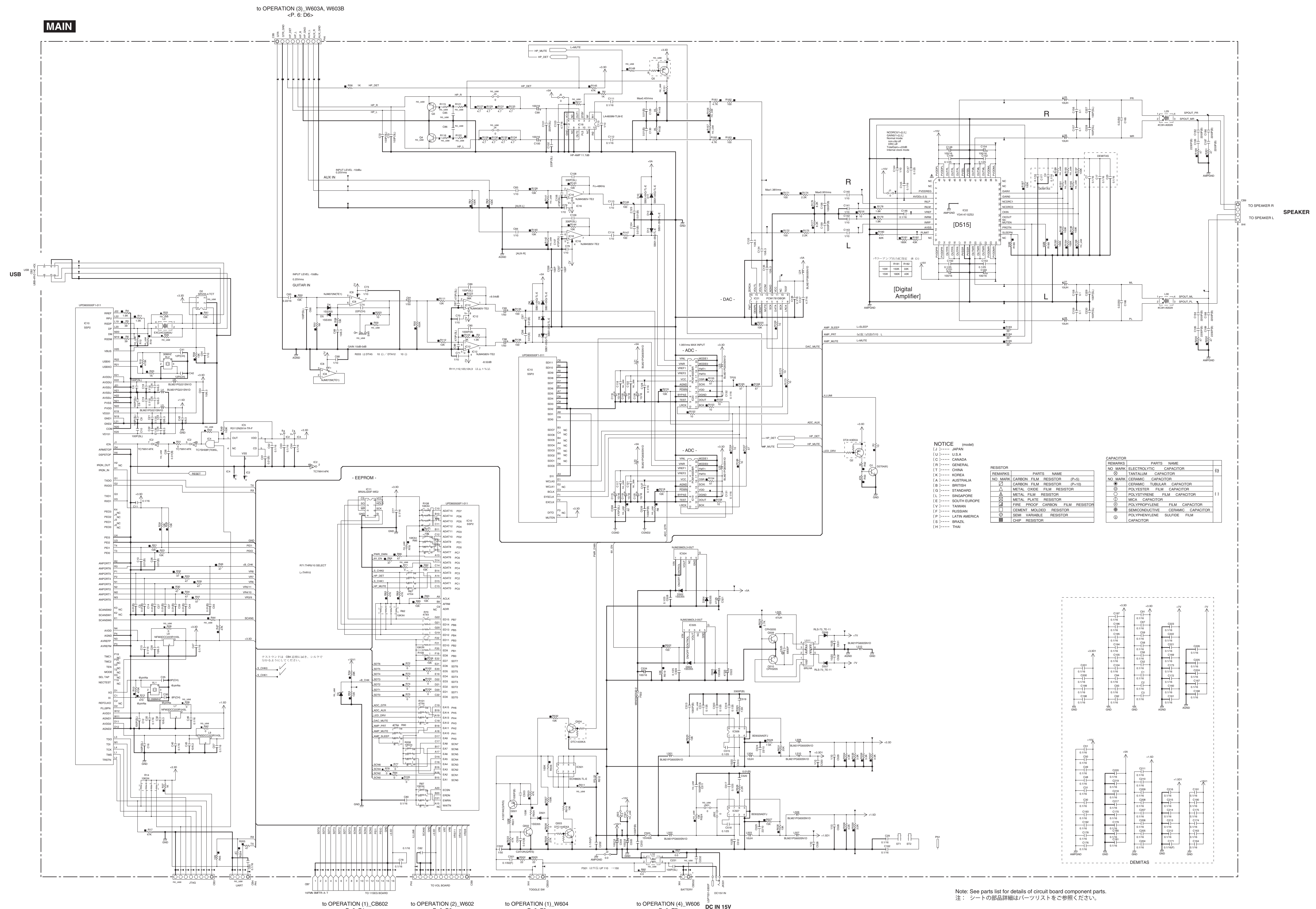
Note: See parts list for details of circuit board component parts.
 注: シートの部品詳細はパーツリストをご参照ください。

WARNING
 Components having special characteristics are marked △, and must be replaced with parts having specifications equal to those originally installed.

安全上の注意
 △印の部品は、安全を維持するために重要な部品です。
 交換する場合は、安全のため必ず指定の部品をご使用ください。

THR10/THR5 OVERALL CIRCUIT DIAGRAM 2/6 (総回路図 2/6) (MAIN 1/2)

THR5

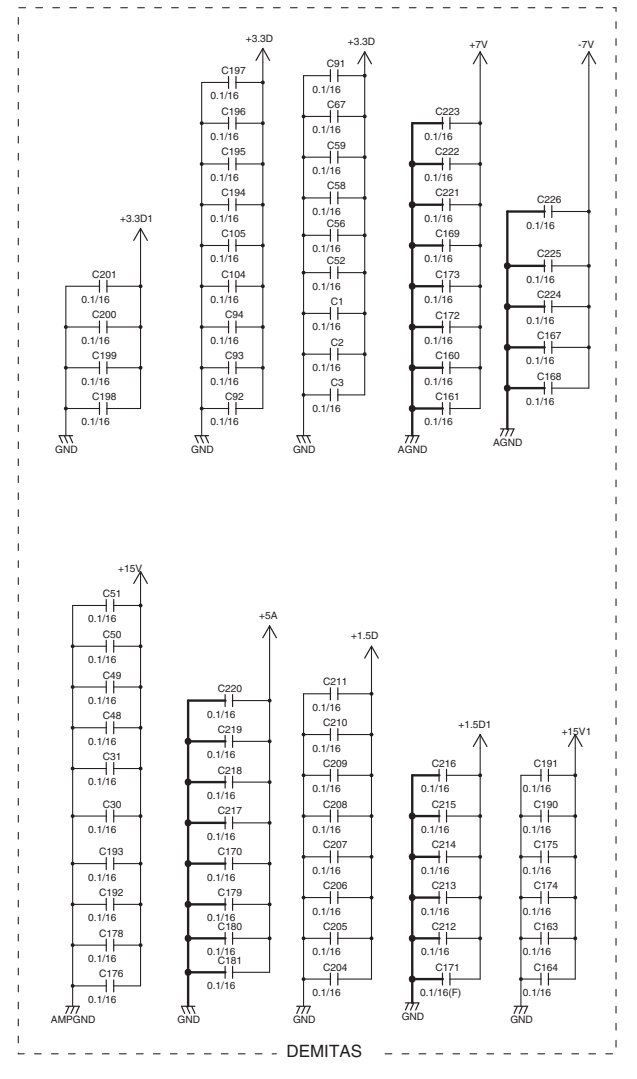


NOTICE (P.600)

(J) JAPAN
 (U) USA
 (C) CANADA
 (R) GENERAL
 (T) CHINA
 (K) KOREA
 (A) AUSTRALIA
 (B) BRITISH
 (G) STANDARD
 (L) SINGAPORE
 (E) SOUTH EUROPE
 (V) TAIWAN
 (R) RUSSIAN
 (P) LATIN AMERICA
 (S) BRAZIL
 (H) THAI

REMARKS	PARTS NAME
100 MARK	CARBON FILM RESISTOR (F-1)
20	CARBON FILM RESISTOR (F-10)
△	METAL OXIDE FILM RESISTOR
□	METAL FILM RESISTOR
①	FINE PROOF CARBON FILM RESISTOR
②	CEMENT MOULDED RESISTOR
③	SEMI-VARIABLE RESISTOR
④	CHT RESISTOR

REMARKS	PARTS NAME
NO. MARK	ELECTROLYTIC CAPACITOR
⊕	TANTALUM CAPACITOR
⊖	NO. MARK CERAMIC CAPACITOR
⊙	CERAMIC TUBULAR CAPACITOR
○	POLYESTER FILM CAPACITOR
○	POLYPROPYLENE FILM CAPACITOR
○	MICA CAPACITOR
○	POLYETHYLENE FILM CAPACITOR
○	SEMICONDUCTIVE CERAMIC CAPACITOR
○	POLYPROPYLENE SULFIDE FILM CAPACITOR



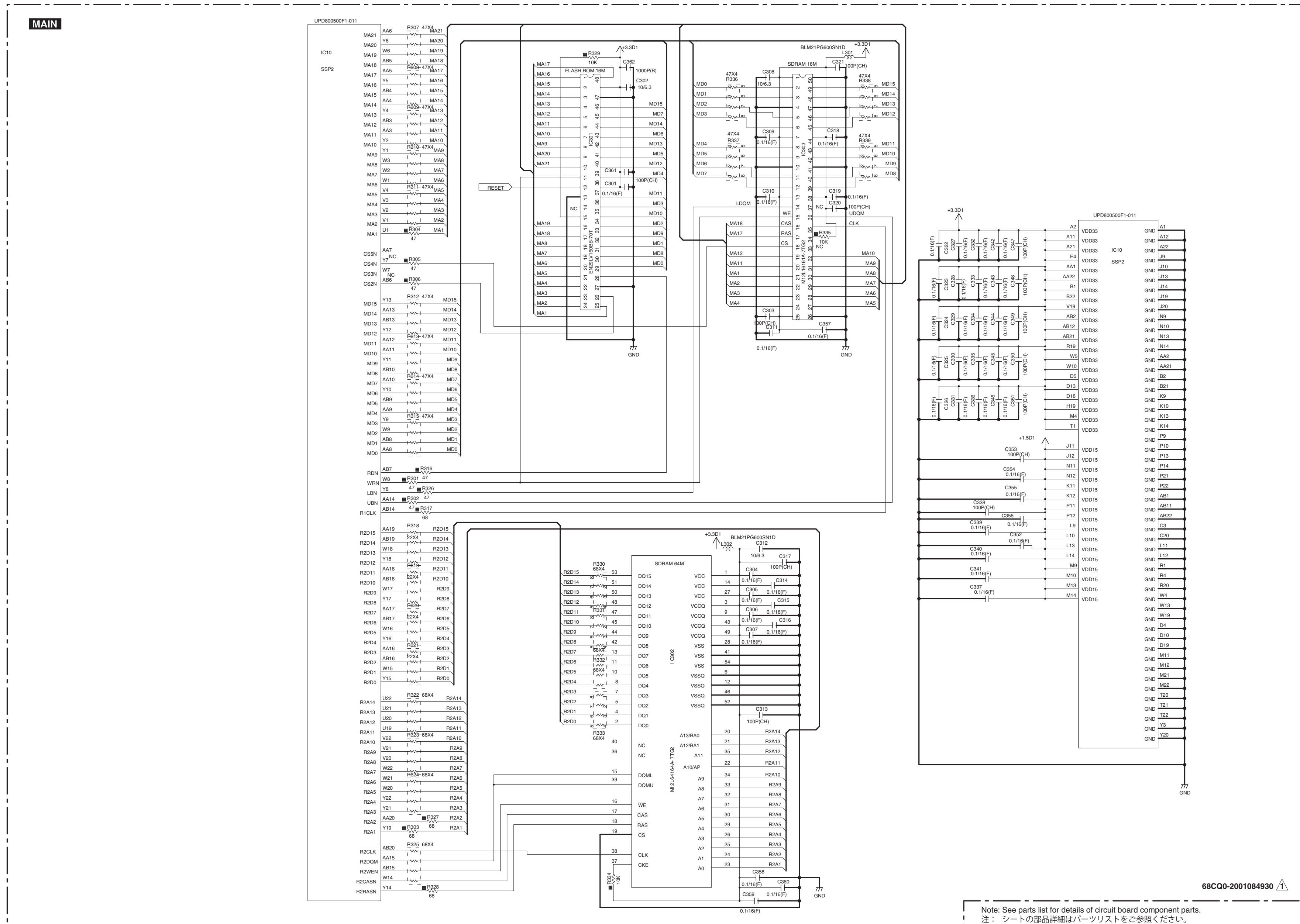
Note: See parts list for details of circuit board component parts.
 注：シートの部品詳細はパーツリストをご参照ください。

WARNING
 Components having special characteristics are marked △ and must be replaced with parts having specifications equal to those originally installed.

安全上の注意
 △印の部品は、安全を維持するために重要な部品です。
 交換する場合は、安全のため必ず指定の部品をご使用ください。

THR10/THR5 OVERALL CIRCUIT DIAGRAM 3/6 (総回路図 3/6) (MAIN 2/2)

THR10



Note: See parts list for details of circuit board component parts.
 注：シートの部品詳細はパーツリストをご参照ください。

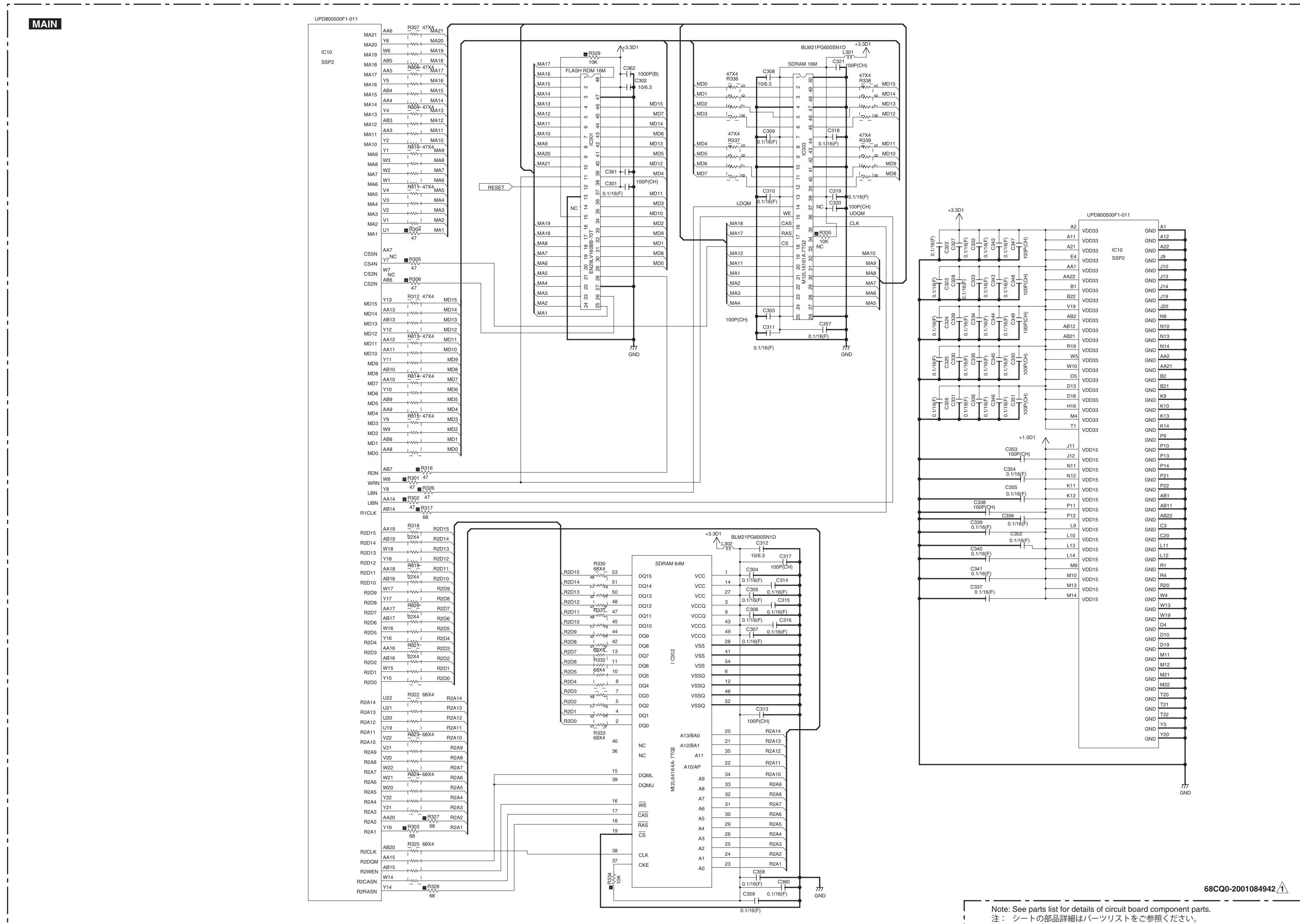
WARNING
 Components having special characteristics are marked Δ and must be replaced with parts having specifications equal to those originally installed.

安全上の注意
 Δ 印の部品は、安全を維持するために重要な部品です。
 交換する場合は、安全のため必ず指定の部品をご使用ください。

68CQ0-2001084930 Δ

THR10/THR5 OVERALL CIRCUIT DIAGRAM 4/6 (総回路図 4/6) (MAIN 2/2)

THR5

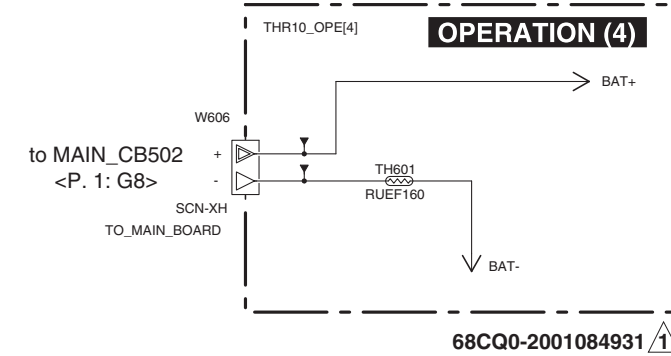
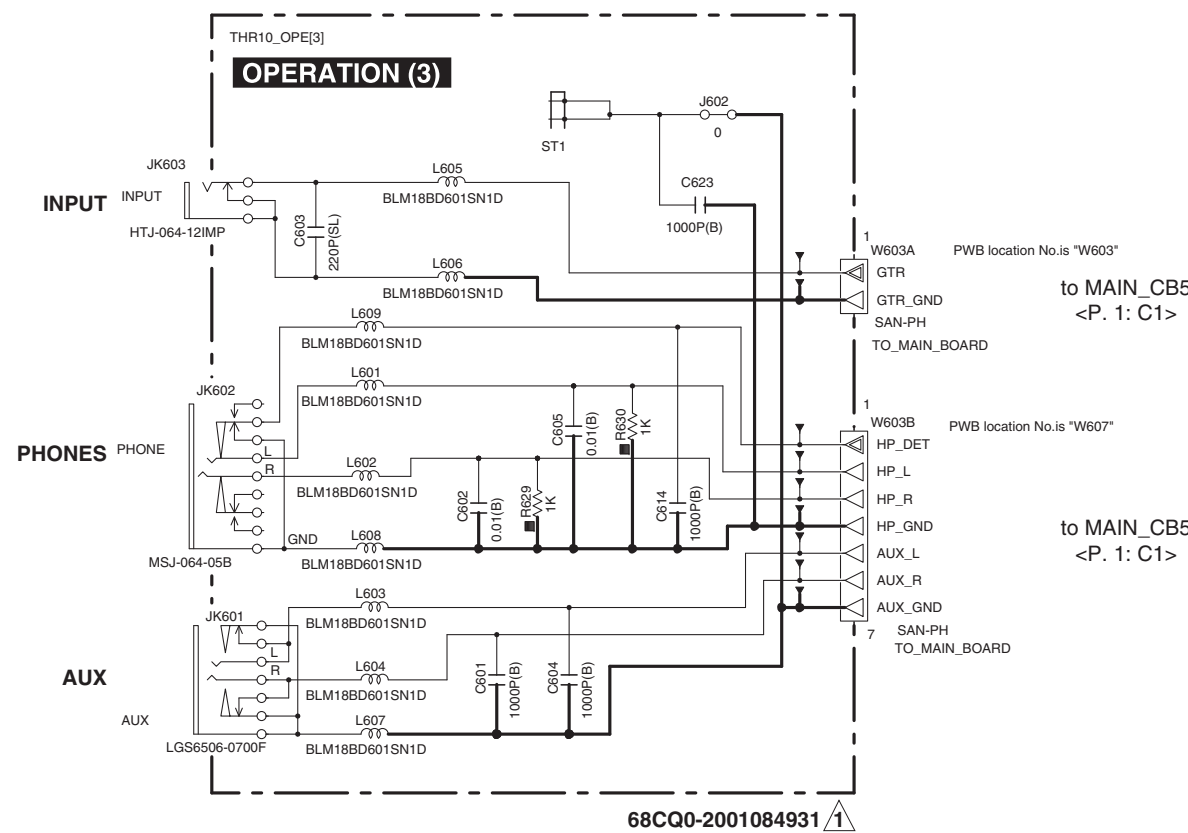
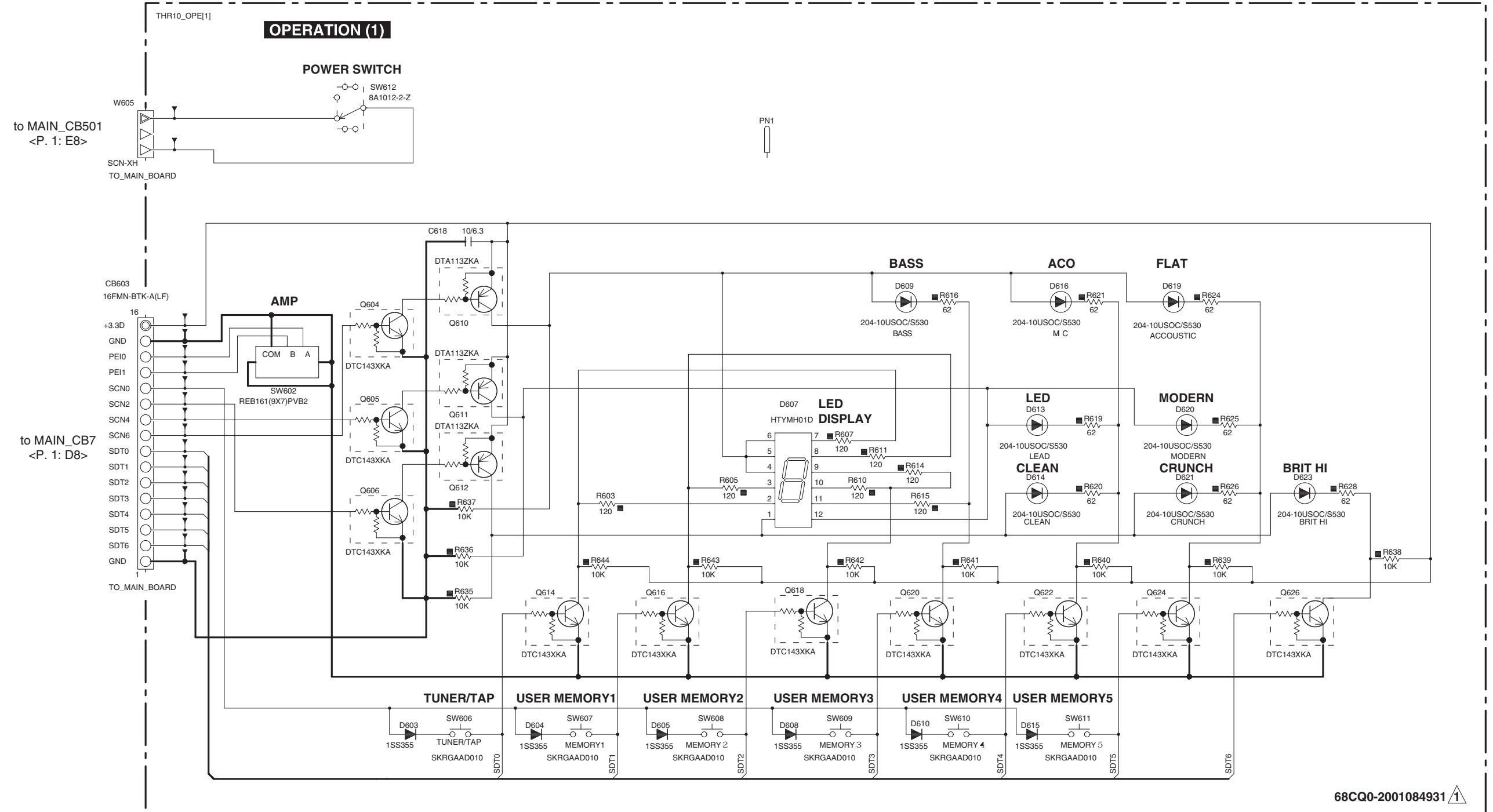
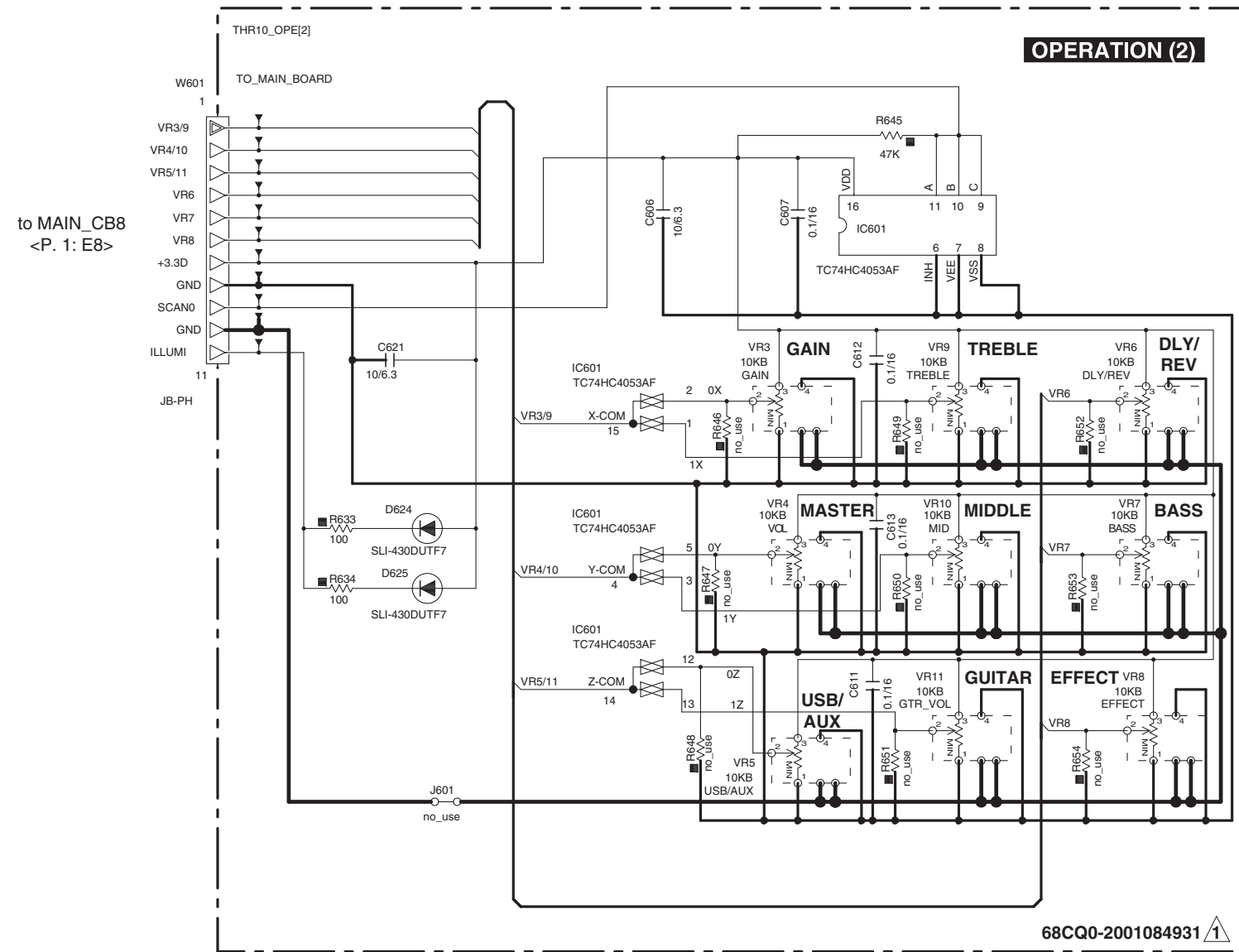


Note: See parts list for details of circuit board component parts.
 注：シートの部品詳細はパーツリストをご参照ください。

WARNING
 Components having special characteristics are marked Δ and must be replaced with parts having specifications equal to those originally installed.

安全上の注意
 Δ 印の部品は、安全を維持するために重要な部品です。
 交換する場合は、安全のため必ず指定の部品をご使用ください。

THR10/THR5 OVERALL CIRCUIT DIAGRAM 5/6 (総回路図 5/6) (OPERATION) THR10



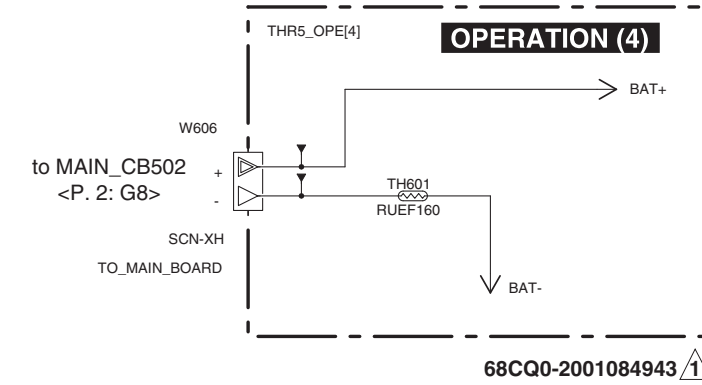
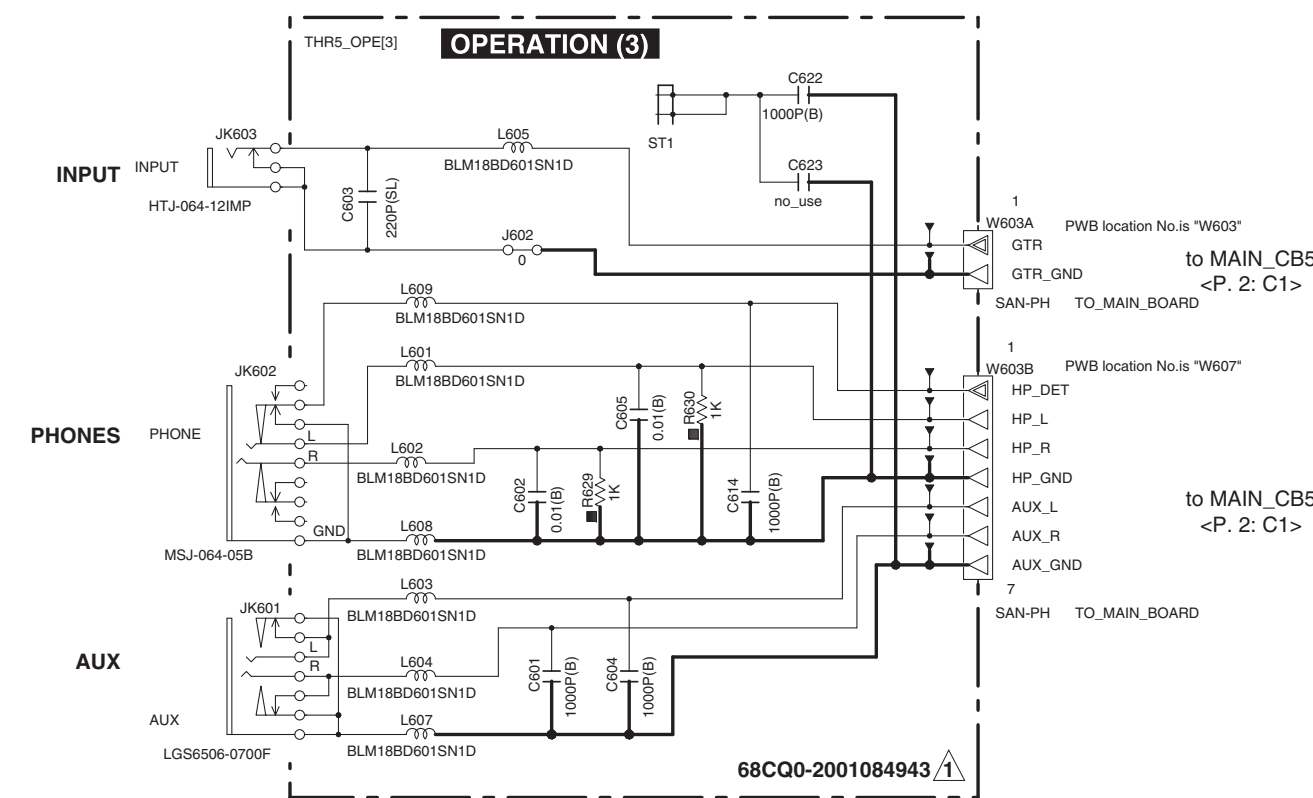
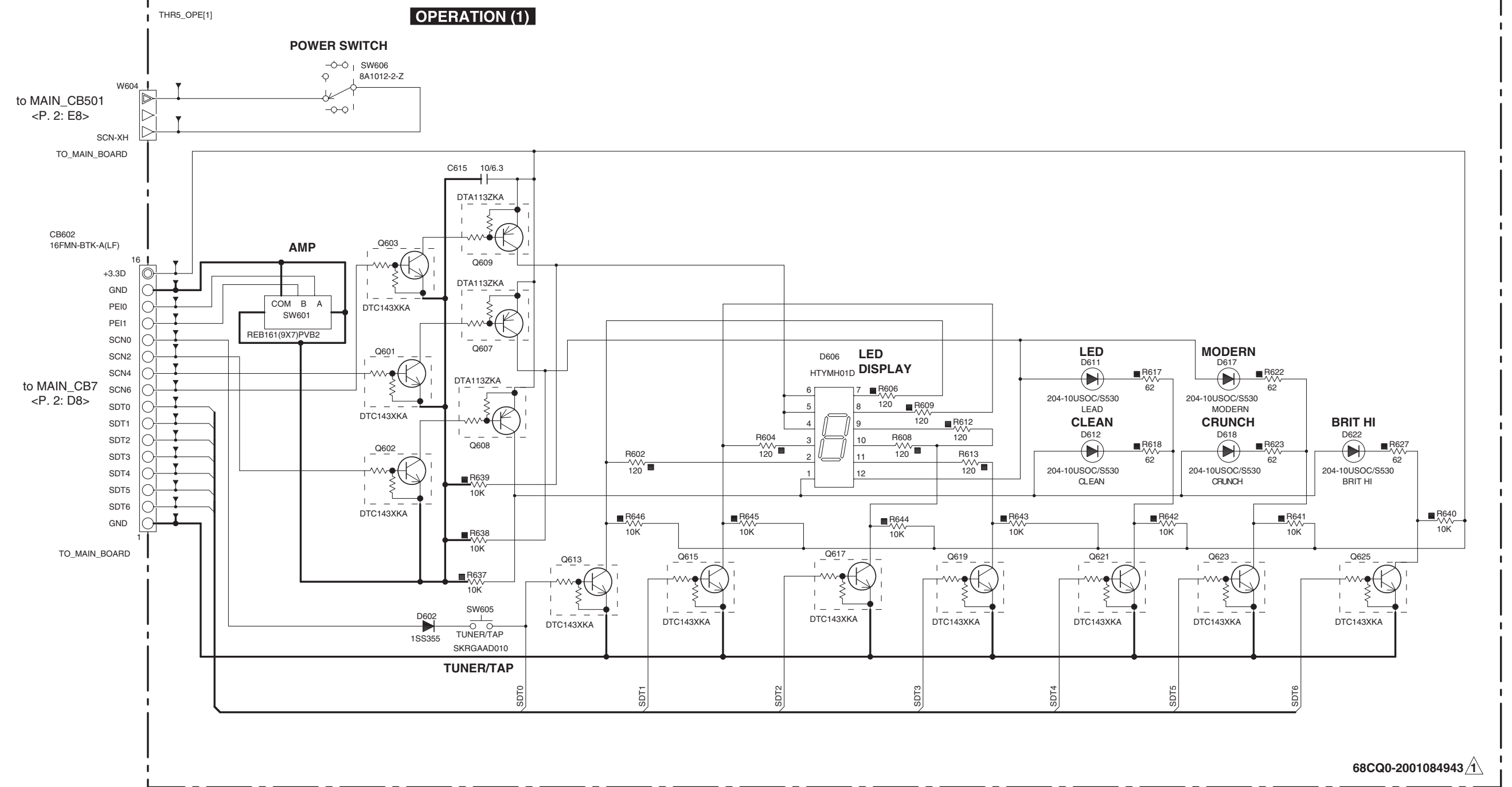
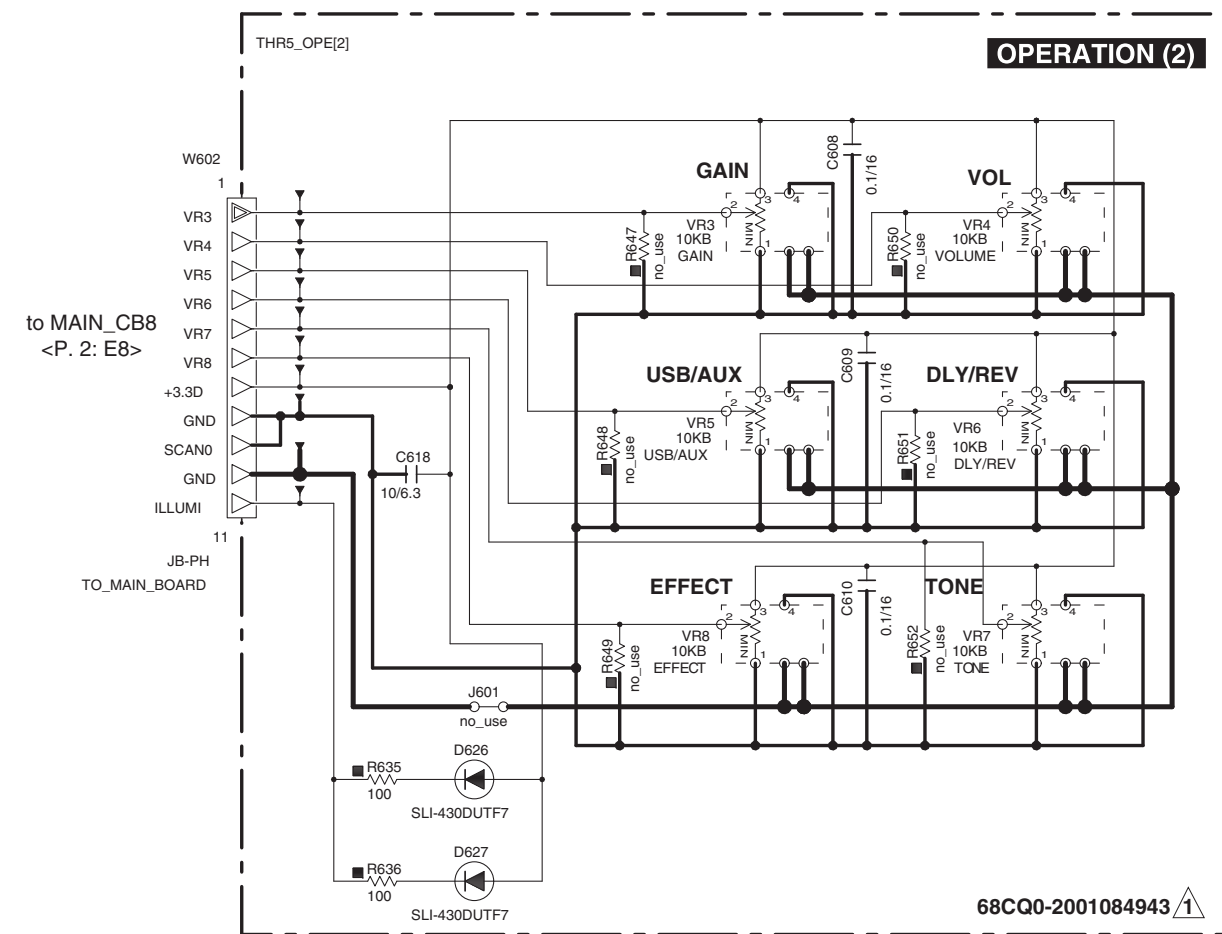
Note: See parts list for details of circuit board component parts.
注：シートの部品詳細はパーツリストをご参照ください。

WARNING
Components having special characteristics are marked and must be replaced with parts having specifications equal to those originally installed.

安全上の注意
印の部品は、安全を維持するために重要な部品です。交換する場合は、安全のため必ず指定の部品をご使用ください。

THR10/THR5 OVERALL CIRCUIT DIAGRAM 6/6 (総回路図 6/6) (OPERATION)

THR5



Note: See parts list for details of circuit board component parts.
注: シートの部品詳細はパーツリストをご参照ください。

WARNING
Components having special characteristics are marked \triangle and must be replaced with parts having specifications equal to those originally installed.

安全上の注意
 \triangle 印の部品は、安全を維持するために重要な部品です。
交換する場合は、安全のため必ず指定の部品をご使用ください。