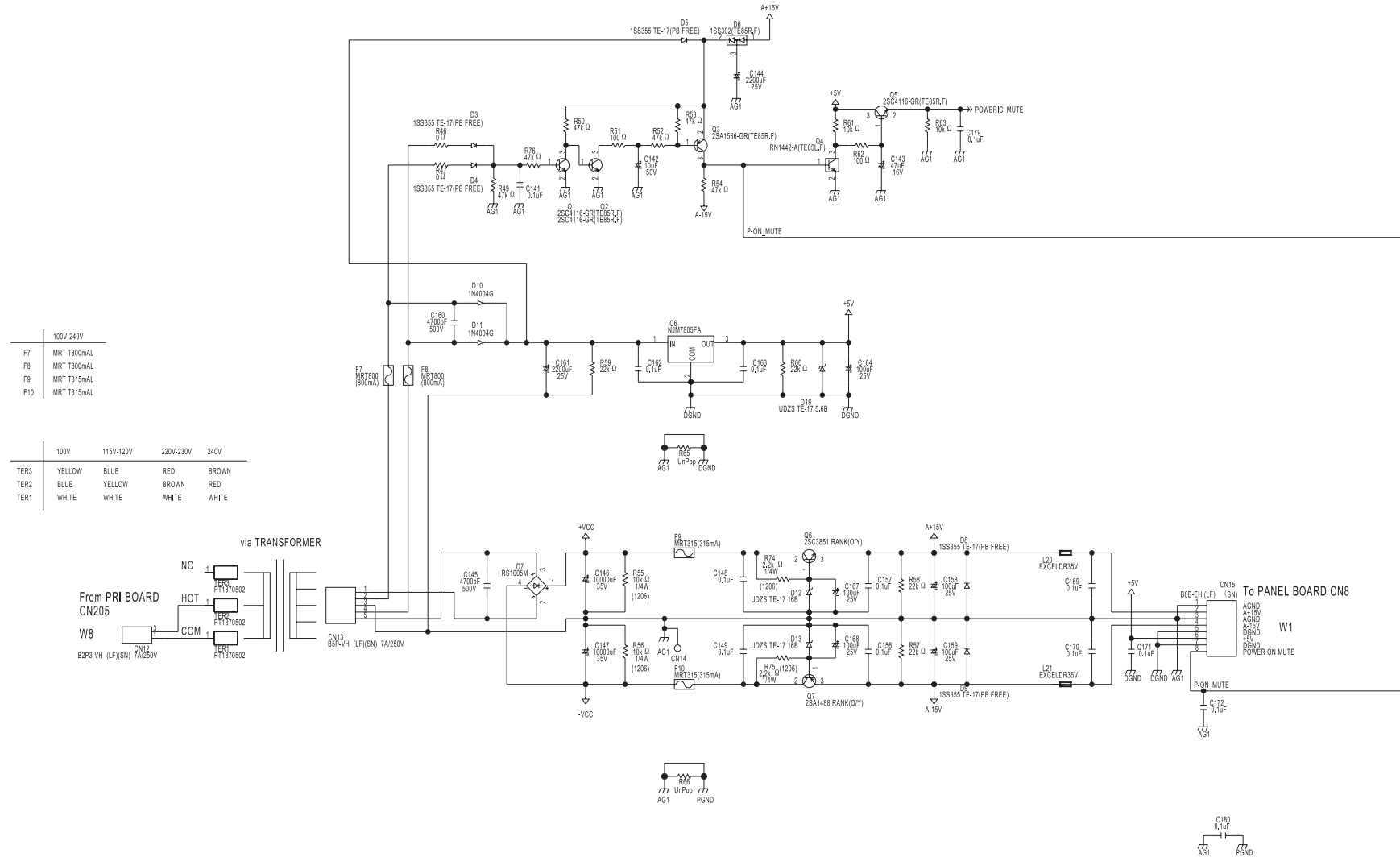


Circuit Diagram (PS Amp Board: 2/2)



	100V-240V
F7	MRT 1800mAL
F8	MRT 1800mAL
F9	MRT T315mAL
F10	MRT T315mAL

	100V	115V-120V	220V-230V	240V
TER3	YELLOW	BLUE	RED	BROWN
TER2	BLUE	YELLOW	BROWN	RED
TER1	WHITE	WHITE	WHITE	WHITE