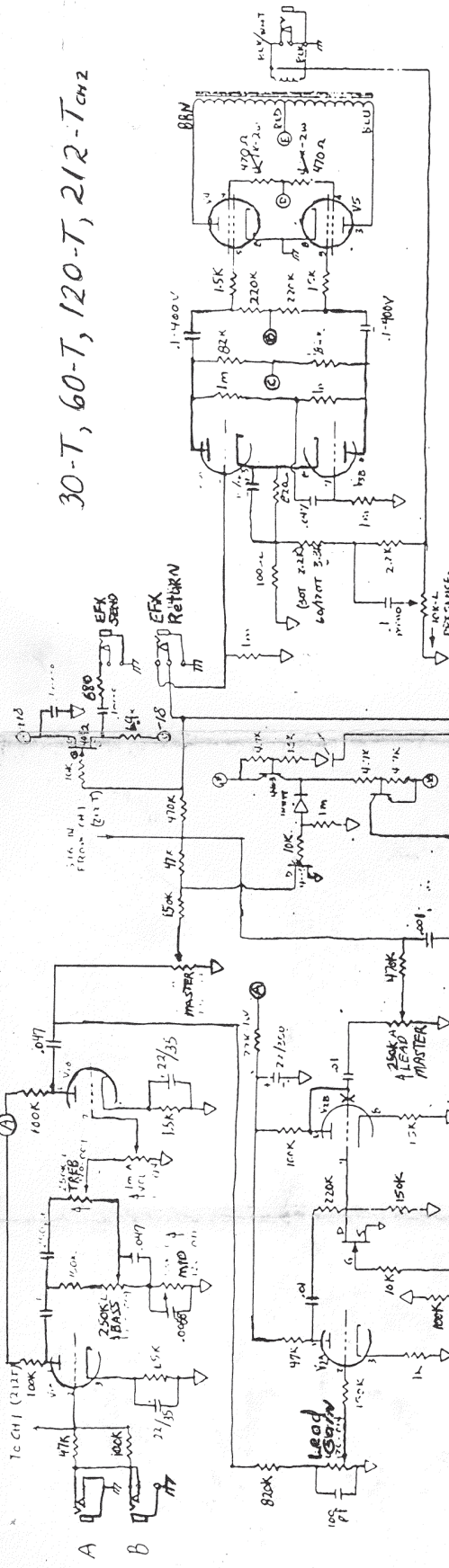
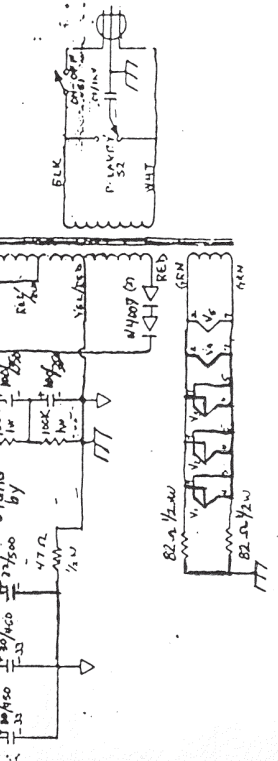
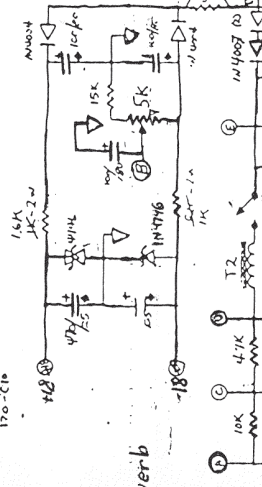


30-T, 60-T, 120-T, 212-T CH2



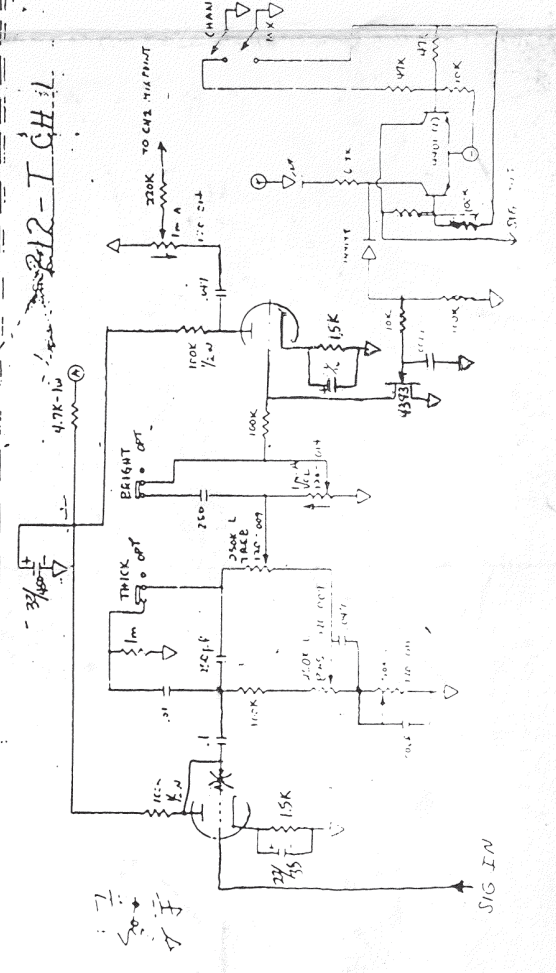
OUTPU: TUBE VOLTAGES



ALL TUBE PARTS ARE NEW UNLESS NOTED OTHERWISE
-30 Tube List

PLEASE CHECK LIST IN (NOT) FOOTNOTES

| | |
|-------------|---------------------------|
| MODEL | SPECTRA TICS CH 1 & 2 PRE |
| DATE | 7-11-82 |
| DESIGNED BY | JLF |
| DESIGNED BY | |



TETS
4373
40472



7
50
4

SIG IN