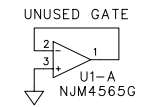


- LBL1 0024201
- LBL\_PCBASSY\_HRMKII\_MAIN
- PCB1 450-329-02
- PCB MAIN HR824 THX
- FC1 400-060-00
- FUSE CLIP PCMT 5MM DIA
- FC2 400-060-00
- FUSE CLIP PCMT 5MM DIA
- Z101 730-038-00
- JET MELT 3M 3779-Q
- QTY A/R



©2006 LOUD TECHNOLOGIES INC.  
 ALL RIGHTS RESERVED  
 THE INFORMATION CONTAINED HEREIN  
 IS PROPRIETARY AND CONFIDENTIAL  
 PROPERTY OF LOUD TECHNOLOGIES INC.

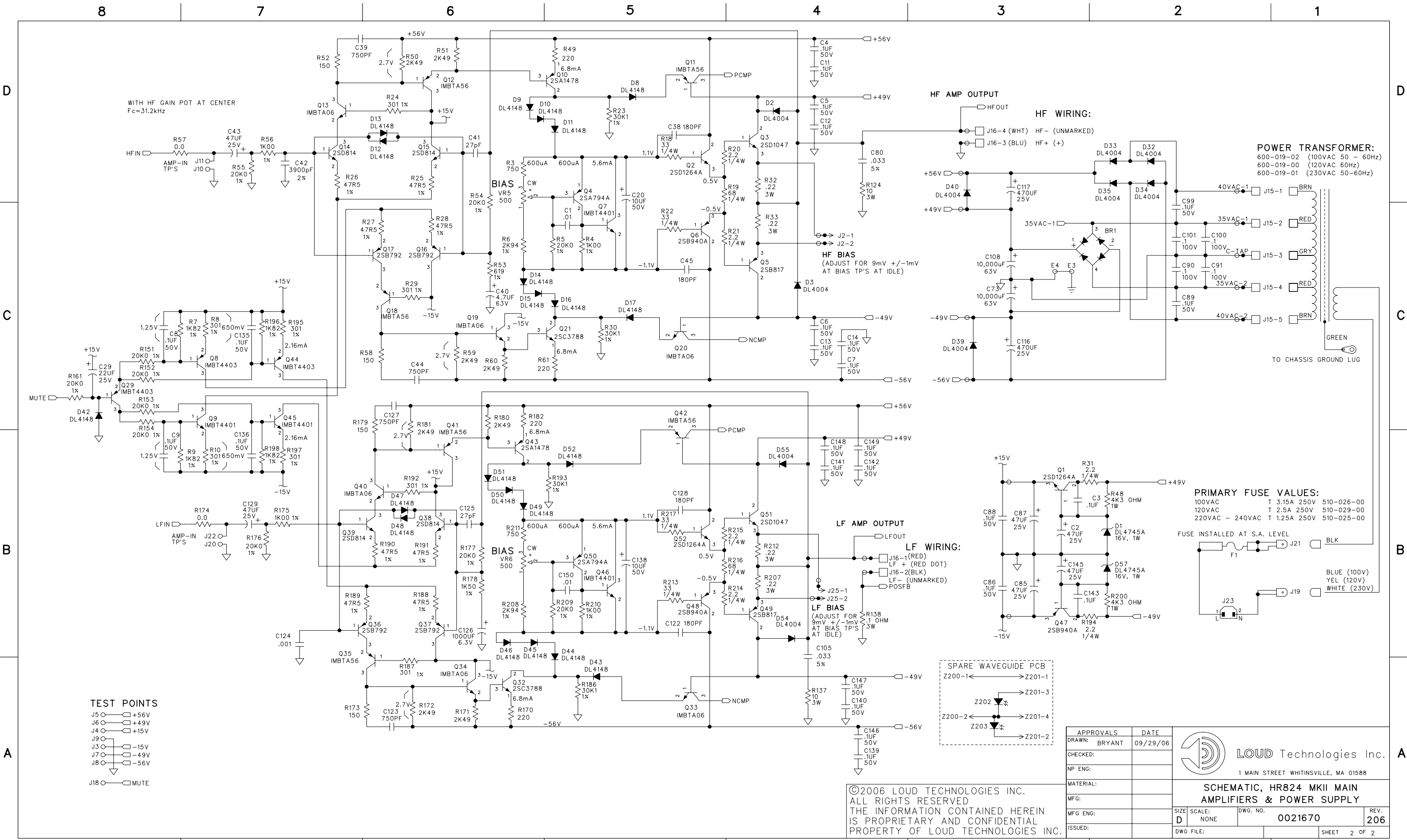
APPROVALS	DATE
DRAWN: BRYANT	09/29/06
CHECKED:	
NP ENG:	
MATERIAL:	
MFG:	
MFG ENG:	
ISSUED:	

**LOUD Technologies Inc.**  
 1 MAIN STREET WHITINSVILLE, MA 01588

---

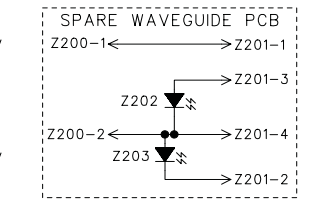
**SCHEMATIC, HR824 MKII MAIN  
 HOUSEKEEPING & EQ**

SIZE: D	SCALE: NONE	DWG. NO.: 0021670	REV.: 206
DWG. FILE:		SHEET 1 OF 2	



**TEST POINTS**

J5	+56V
J6	+49V
J4	+15V
J9	
J3	-15V
J7	-49V
J8	-56V
J18	MUTE



APPROVALS	DATE
DRAWN: BRYANT	09/29/06
CHECKED:	
NP ENG:	
MATERIAL:	
MFG:	
MFG ENG:	
ISSUED:	

**LOUD Technologies Inc.**  
 1 MAIN STREET WHITINSVILLE, MA 01588

**SCHEMATIC, HR824 MKII MAIN AMPLIFIERS & POWER SUPPLY**

SIZE	SCALE	DWG. NO.	REV.
D	NONE	0021670	206
DWG FILE:			SHEET 2 OF 2

©2006 LOUD TECHNOLOGIES INC. ALL RIGHTS RESERVED. THE INFORMATION CONTAINED HEREIN IS PROPRIETARY AND CONFIDENTIAL PROPERTY OF LOUD TECHNOLOGIES INC.