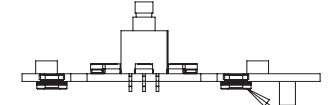
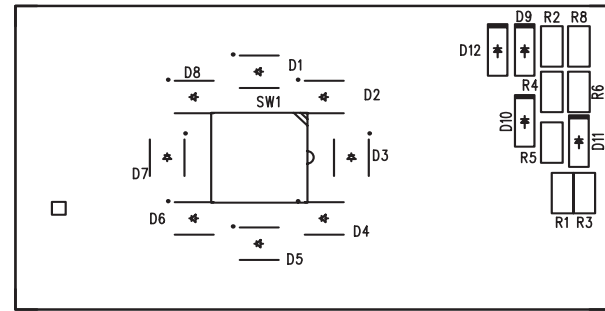


TOP VIEW (COMPONENT SIDE)

REVISIONS					
ECO#	REV:	DESCRIPTION	REV. BY:	APP. BY:	DATE



PEM (M1 and M2) INSTALLED FROM THIS SIDE

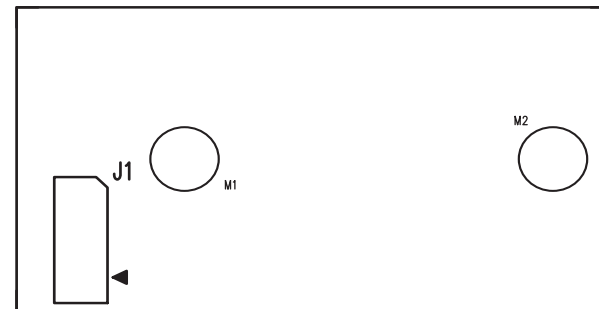
Loud Technologies 0020788-01 Rev:A00

<small>UNLESS OTHERWISE SPECIFIED DIMENSIONS ARE IN INCHES TOLERANCES ARE: FRACTIONS: DECIMALS: ANGLES: ±NA .XX ±NA ±NA .XXX ±NA</small>	APPROVALS	DATE	<p>Loud Technologies Inc. Woodinville, Wa.</p> <p>PCB ASSY, HR MKII LED AND SWITCH</p>
	DRAWN: mfp	XX-XX-06	
	CHECKED:		
	MP ENGINEERING:		
MATERIAL:	MATERIAL:		SIZE: D SCALE: 3:2 DWG. NO. 0020789-00 REV. AXX
FINISH:	MANUFACTURING:		
DO NOT SCALE DRAWING	MFG ENGINEERING:		SHEET 1 OF 2
	ISSUED:		

7 6 5 4 3 1

BOTTOM VIEW (SOLDER SIDE)

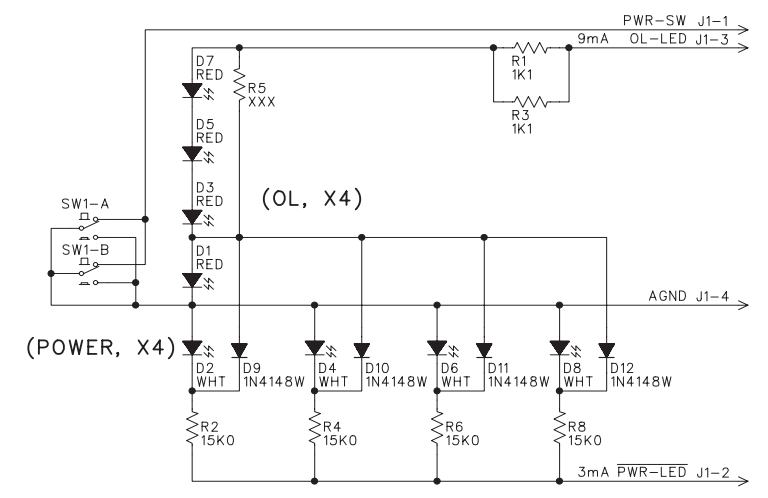
REVISIONS				
ECO#	REV:	DESCRIPTION	REV. BY:	DATE



00A:vsR 10-8870200 æipolonrhcT buoL

<small>UNLESS OTHERWISE SPECIFIED DIMENSIONS ARE IN INCHES TOLERANCES ARE: FRACTIONS: DECIMALS: ANGLES: ±NA .XX ±NA ±NA .XXX ±NA</small>	APPROVALS	DATE	<p>Loud Technologies Inc. Woodinville, Wa.</p> <p>PCB ASSY, HR MKII LED AND SWITCH</p>
	CHECKED:		
	MP ENGINEERING:		
	MANUFACTURING:		
MATERIAL:			<small>SIZE: D SCALE: 3:2 DWG. NO. 0020789-00 REV. AXX</small>
FINISH:			<small>DWG FILE: SHEET 2 OF 2</small>
DO NOT SCALE DRAWING	ISSUED:		

ECO#	REV:	DESCRIPTION	REV. BY:	APP. BY:	DATE
------	------	-------------	----------	----------	------



- M1
0020846
NUT/PEM BROACHING/KFS2 M3
- M2
0020846
NUT/PEM BROACHING/KFS2 M3
- Z1
0020788-01
PCB FAB HR MKII LED AND SWITCH

©2006 LOUD TECHNOLOGIES INC.
ALL RIGHTS RESERVED
THE INFORMATION CONTAINED HEREIN
IS PROPRIETARY AND CONFIDENTIAL
PROPERTY OF LOUD TECHNOLOGIES INC.

APPROVALS		DATE			
DRAWN:	mfp	07-11-06			
CHECKED:					
NP ENG:					
MATERIAL:				SCHEMATIC, HR MKII LED AND SWITCH	
MFG:					
MFG ENG:					
ISSUED:		SIZE: D	SCALE: NONE	DWG. NO. 0020789-00	REV. A00
DWG FILE:				SHEET 1 OF 1	