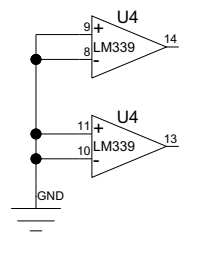
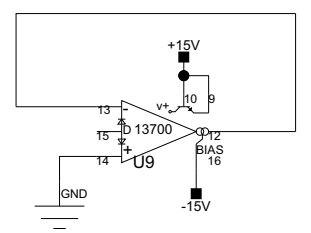
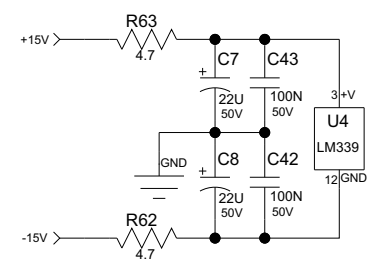
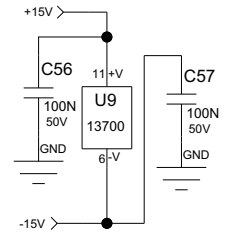
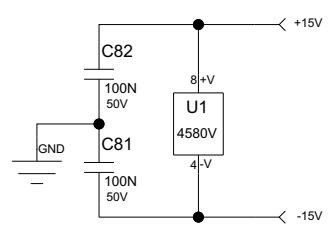
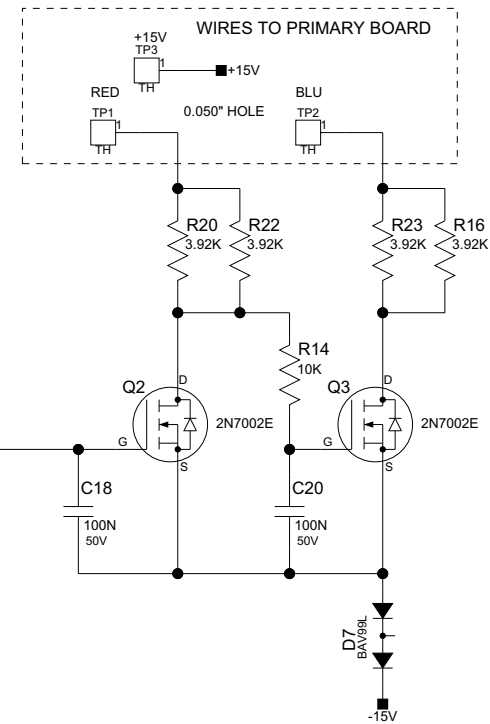
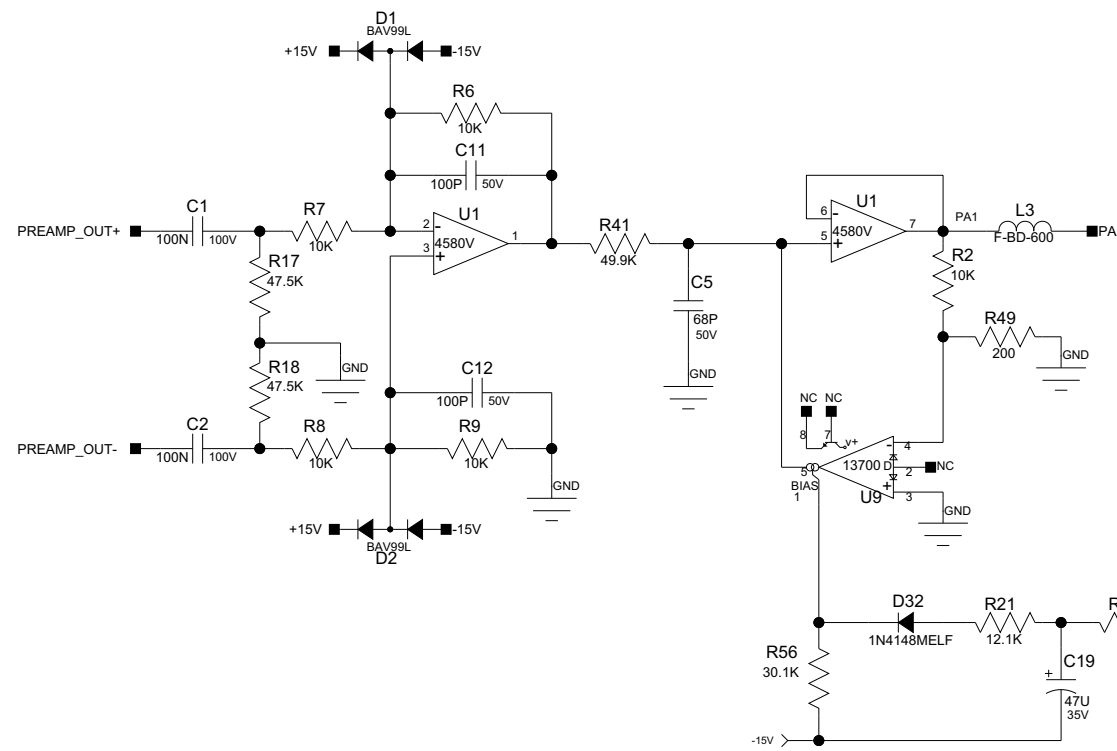
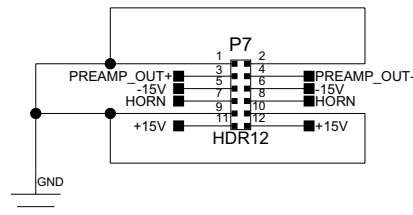


PREAMP INTERFACE

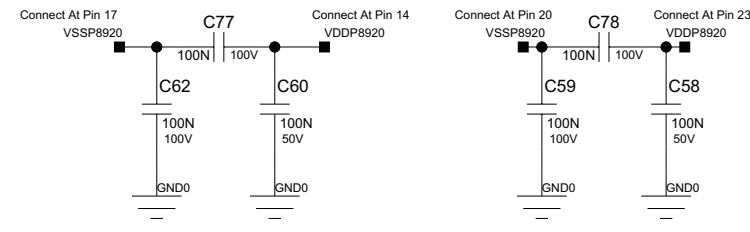
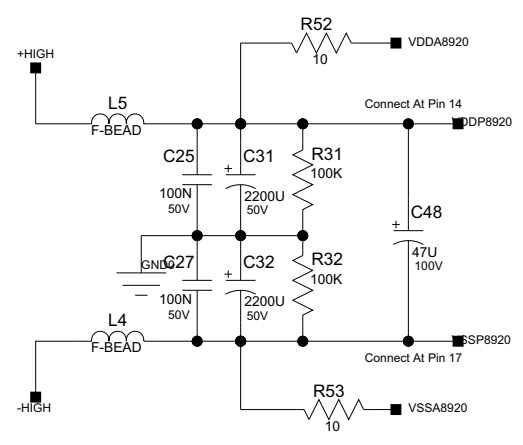
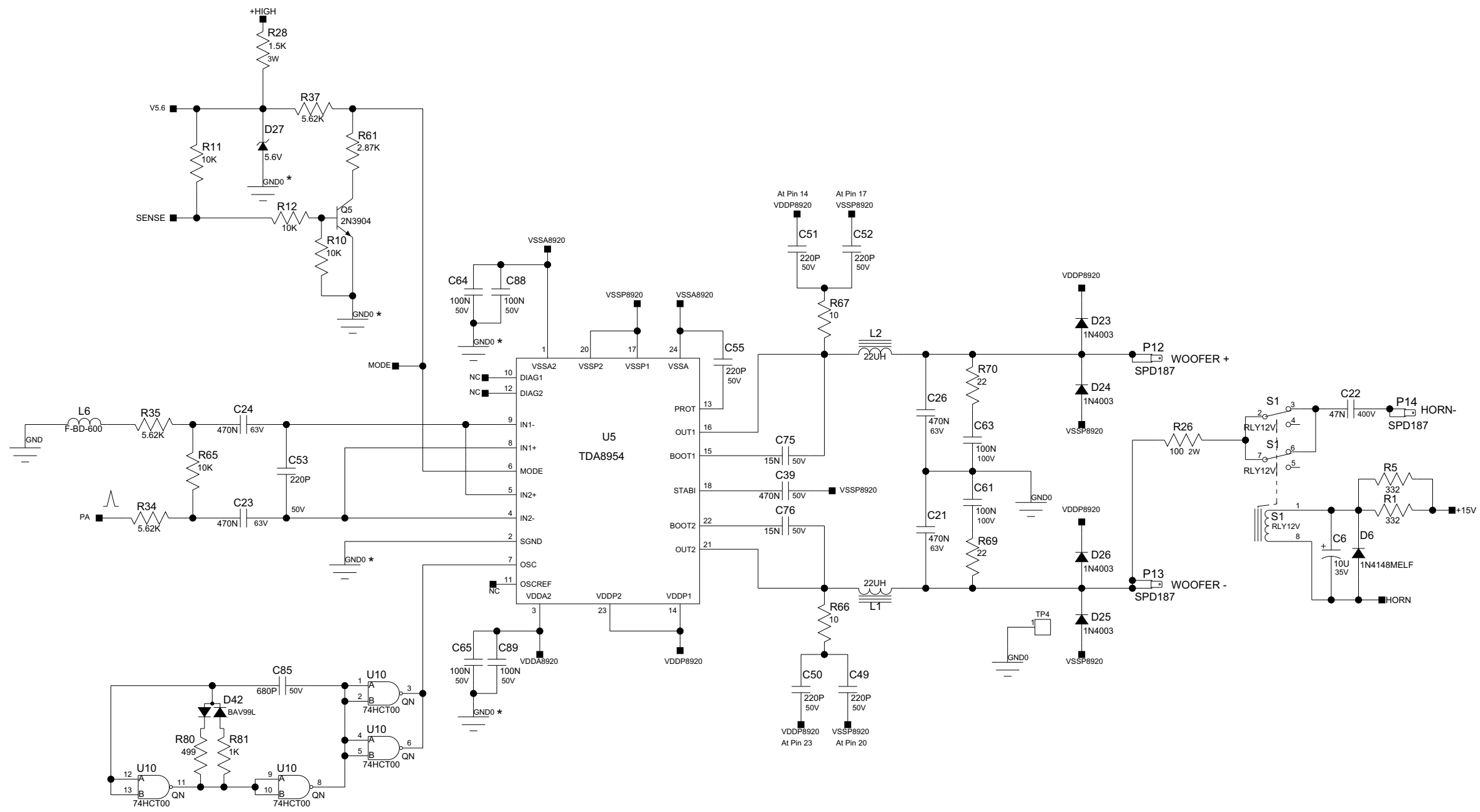


COMPANY PROPRIETARY INFORMATION

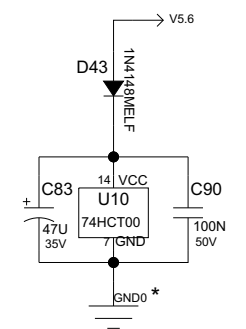


Title: MAX 115 POWER
Sheet Title: INPUT/LIMITER
DESIGNED BY: Jim Hartman & Bobby Baldwin
C Sheet 1 of 3 Date: 2-27-2012_9:52

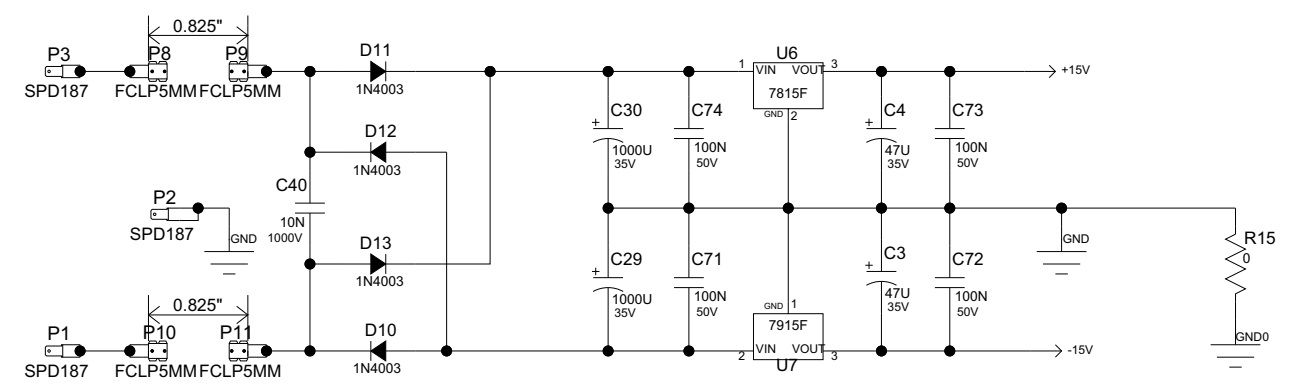
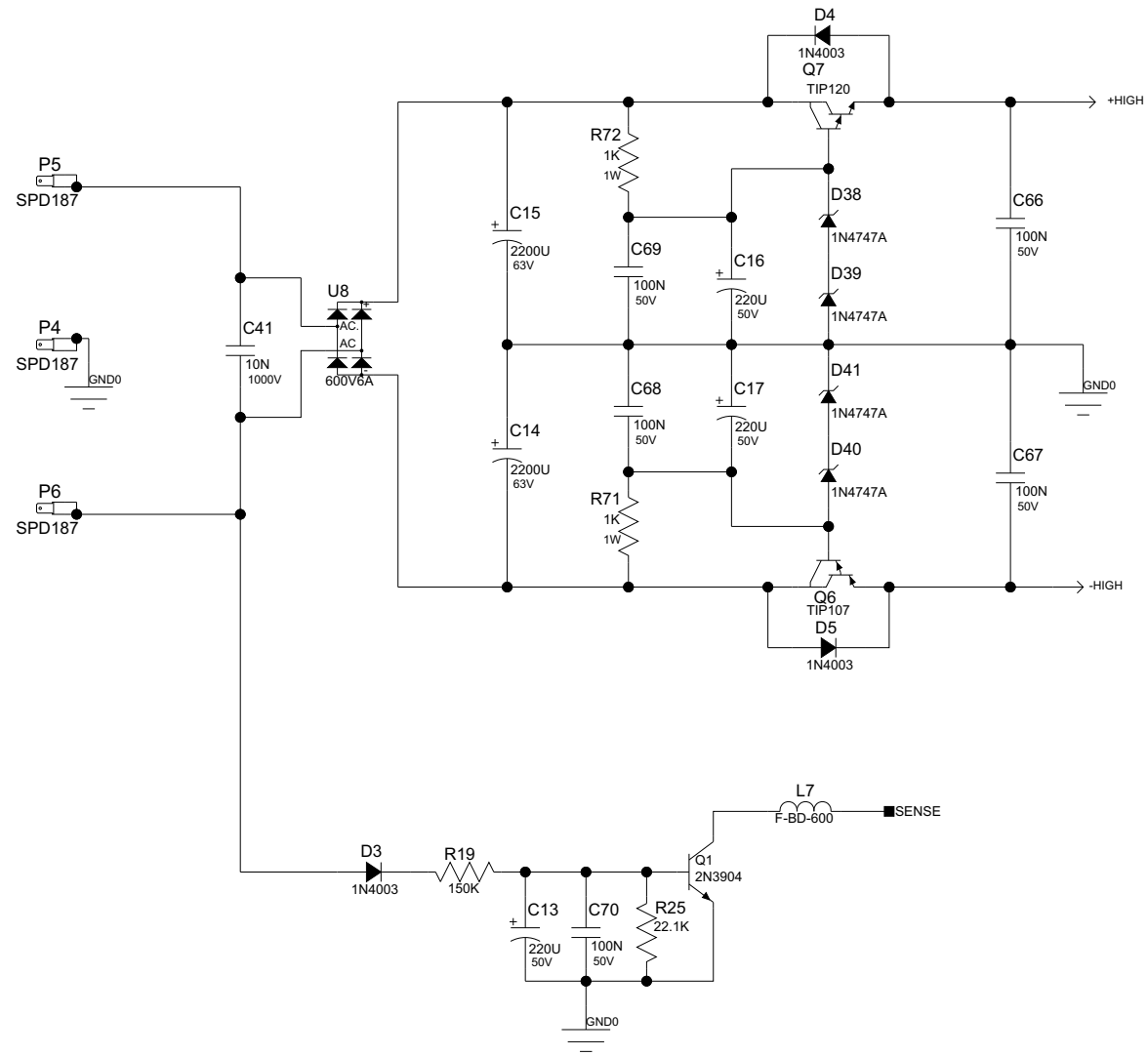
MAX 110/112/115 POWERAMP





HW?
MICA

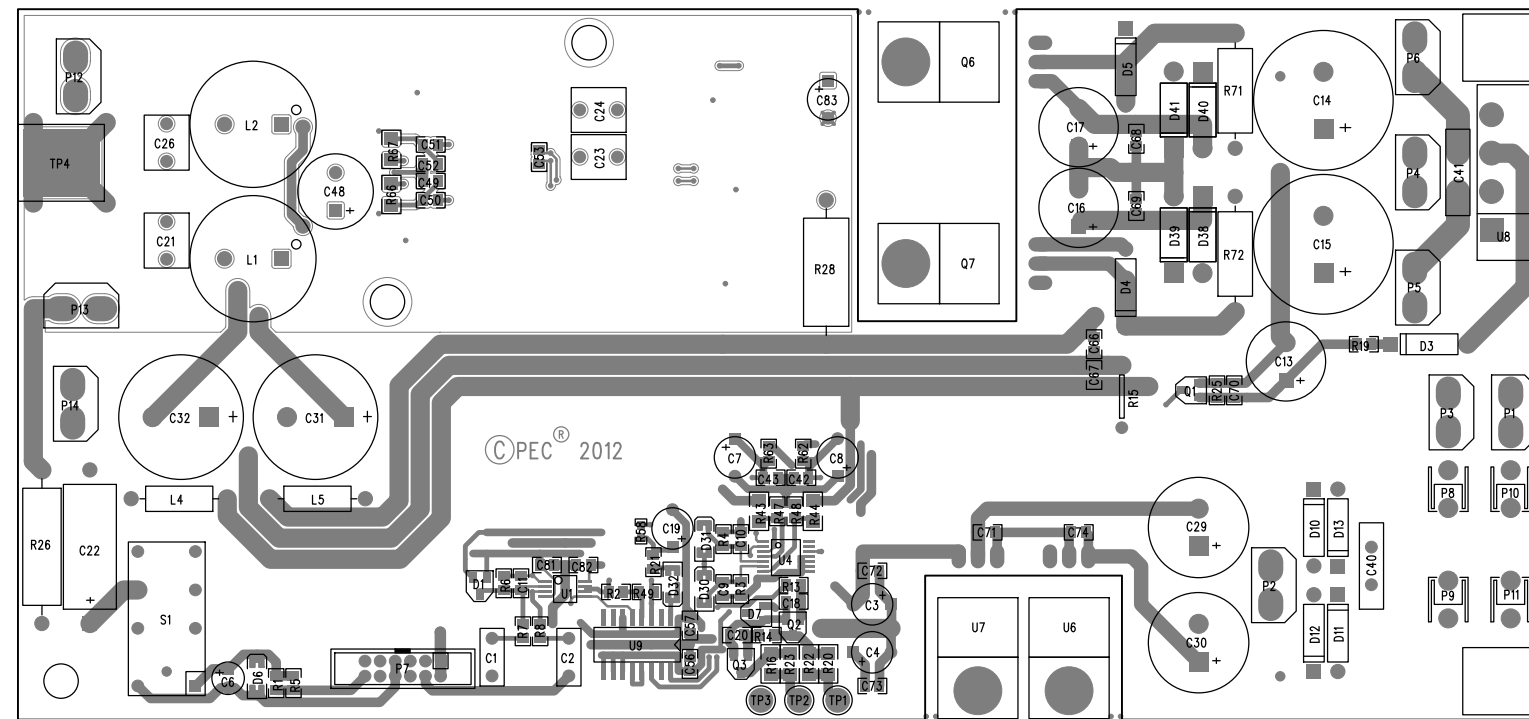


Title: **MAX_115_POWER AMPLIFIER**
 Sheet Title:
 DESIGNED BY: Jim Hartman & Bobby Baldwin
 C Sheet 2 of 3 Date: 2-27-2012_9:52





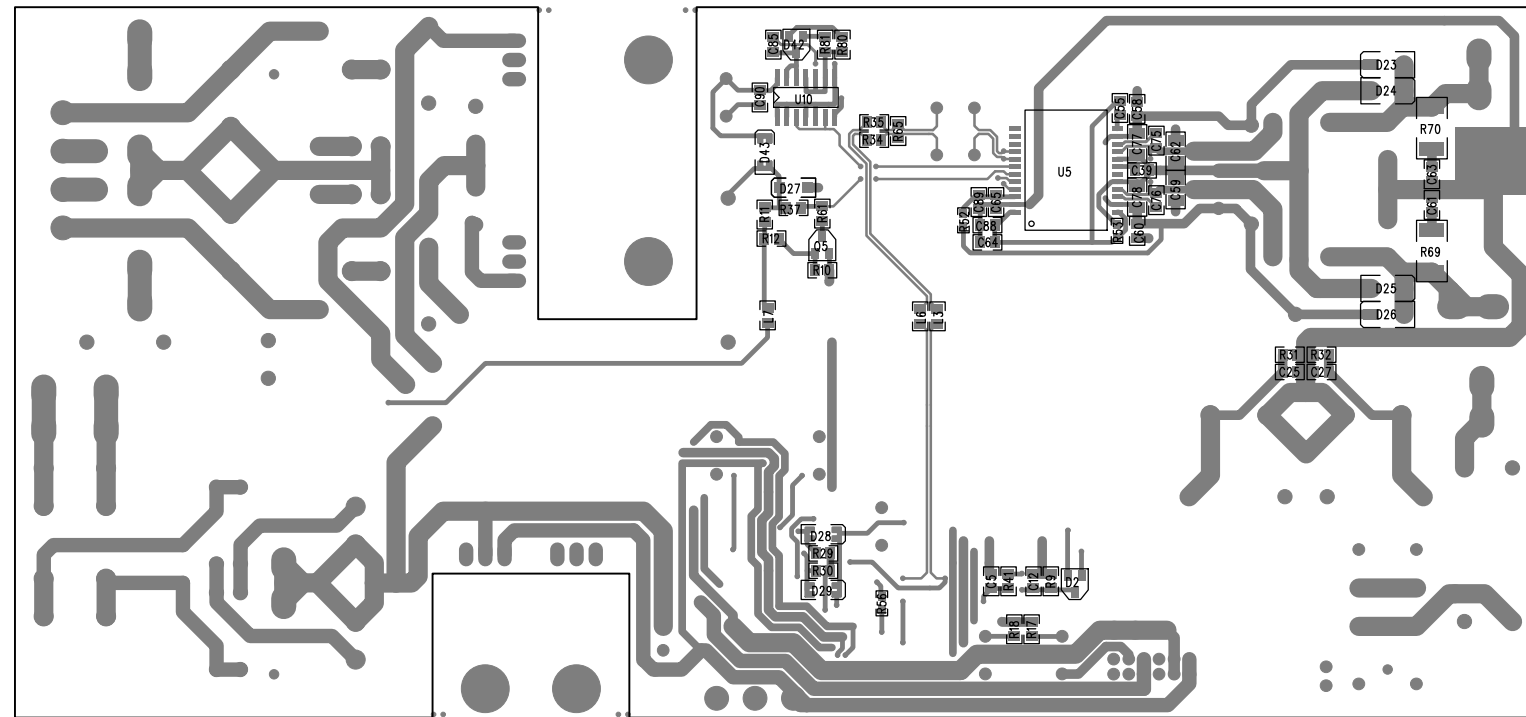
Title: **MAX_115_POWER**
 Sheet Title: **POWER SUPPLY**
 DESIGNED BY: Jim Hartman & Bobby Baldwin
 Sheet 3 of 3 Date: 2-27-2012_9:52

FOR ASSEMBLY 32202221 DO NOT INSTALL				
R1	R5	R26	C22	C6
D6	S1	P14		



MAX 112 PWRAMP - PRIMARY SIDE VIEW

FOR ASSEMBLY 32202221 DO NOT INSTALL				
R1	R5	R26	C22	C6
D6	S1	P14		



MAX 112 PWRAMP - SECONDARY SIDE VIEW

BILL OF MATERIAL REPORT

REPORT DATE/TIME: 4/13/2012 2:56:02 PM

BOARD NAME: MAX 112 POWER AMP ASSEMBLY LEVEL NUMBER: 32202221

PROJECT NUMBER: P1000098 DESIGNER: JTH-32101912A

Qty.	Part #	Description	Reference
Designators			

2	30200051	10K 1/4W 1% MF 1206	R43 R44
4	30200129	3.92K 1/4W 1% MF 1206	R16 R20 R22 R23
13	30200174	10K 1/10W 1% MF 0805	R2 R3 R4 R6 R7 R8 R9 R10 R11 R12 R13 R14 R65
1	30200188	1.00K 1/10W 1% MF 0805	R81
2	30200194	100K 1/10W 1% MF 0805	R31 R32
3	30200198	499 1/10W 1% MF 0805	R47 R48 R80
2	30200205	47.5K 1/10W 1% MF 0805	R17 R18
2	30200238	22 1W 5% MF 2512	R69 R70
2	30200241	4.70 1/10W 1% MF 0805	R62 R63
2	30200251	4.75K 1/10W 1% MF 0805	R29 R30
1	30200256	22.1K 1/10W 1% MF 0805	R25
2	30200286	10 1/10W 1% MF 0603	R52 R53
1	30200294	1K 1/10W 1% MF 0603	R58
1	30200305	30.1K 1/10W 1% MF 0603	R56
1	30200331	49.9K 1/10W 1% MF 0805	R41
2	30200348	10 1/4W 1% MF 1206	R66 R67
1	30200373	200 1/10W 1% MF 0805	R49

1	30200376	12.1K	1/10W	1%	MF	0805	R21
1	30200408	2.87K	1/10W	1%	MF	0805	R61
1	30200538	150K	1/10W	1%		0805	R19
3	30200545	5.62K	1/10W	1%		0805	R34 R35 R37
2	30210000	1K	1W	5%	MO	AXL	R71 R72
1	30210122	1.5K	3W	5%	MO	T&R	R28
6	30300089	220PF	50V	5%	NPO	0805	C49 C50 C51 C52 C53 C55
28	30300093	0.1UF	50V	10%	X7R	0805	C9 C10 C18 C20 C25 C27 C42 C43 C56 C57 C58 C60 C64 C65 C66 C67 C68 C69 C70 C71 C72 C73 C74 C81 C82 C88 C89 C90
3	30300147	680PF	50V	5%	NPO	0805	C11 C12 C85
2	30300154	0.015UF	50V	10%	X7R	0805	C75 C76
1	30300159	68PF	50V	5%	NPO	0805	C5
2	30300249	0.1UF	100V	20%	X7R	0805	C61 C63
1	30300320	470NF	50V	10%	X7R	0805	C39
4	30300334	0.1UF	100V	10%	X7R	1206	C59 C62 C77 C78
2	30320099	0.01UF	1000V	80-20%	Z5U		C40 C41
2	30320181	22UF	50V	20%	EL	RAD	C7 C8
2	30320186	1000UF	35V	20%	EL	RAD	C29 C30
3	30320187	220UF	50V	20%	EL	RAD	C13 C16 C17
2	30320319	2200UF	50V	20%	EL	RADH	C31 C32
4	30320344	47UF	35V	20%	EL	RAD	C3 C4 C19 C83
1	30320704	47UF	100V	20%	ELS	RAD	C48
2	30320711	2200UF	63V	20%	EL	RADH	C14 C15

2	30330113	0.1UF 100V 10% PPS RAD	C1 C2
4	30330159	0.47UF 63V 5% PES RAD	C21 C23 C24 C26
1	30400318	7815F +15V INS TO-220F HOR	U6
1	30400319	7915 -15V INS TO-220F HOR	U7
1	30400605	BR RECT INLINE 600V 6A	U8
1	30400800	TIP-120 NPN DARL PWR TRAN	Q7
1	30402153	TIP-107 PNP DARL T0220	Q6
4	30404747	1N4747A 20V, 1W ZENER, 5%	D38 D39 D40 D41
6	30418026	1N4148 (LL34) DIODE SMT	D28 D29 D30 D31 D32 D43
1	30418042	74HCT00 4- 2IN NAND SO14	U10
2	30418135	2N3904 NPN SOT23	Q1 Q5
1	30418231	NJM13700 DUAL OTA SMT	U9
4	30418261	1N4003 - SMT - SMA PKG	D23 D24 D25 D26
2	30418369	2N7002E N CH 60V MOSFET	Q2 Q3
1	30418546	5.6V ZENER (SOD123)-SMT	D27
1	30418649	LM339 QUAD COMPARATOR TSSOP	U4
4	30418655	BAV99L DUAL 4148 DIODE SO	D1 D2 D7 D42
1	30418836	NJM4580 DUAL OPAMP SSOP8	U1
1	30418904	TDA8954 CLASS D POWER AMP	U5
7	30464003	1N4003 200V 1A SI DIODE	D3 D4 D5 D10 D11 D12 D13
3	30500927	FERRITE CHIP SMT 600OHM 0.2A	L3 L6 L7
2	30502122	FERRITE BEAD INDUCTOR T&R	L4 L5
2	30504103	22UH, 5A INDUCTOR	L1 L2
1	30600136	0 OHM 22GA JMPR AXL	R15

4	30901714	FUSE CLIP, 5 X 20MM -T&A	P8 P9 P10 P11
8	33716905	SPADE .187" PC MNT T&R	P1 P2 P3 P4 P5 P6 P12 P13
1	33717360	12 HDR V DR 2MM GOLD	P7

END OF BILL OF MATERIAL REPORT
