



Service Manual

Created: 20 April 2015



ULTRATONE K900FX

Ultra-Flexible 90-Watt 3-Channel PA System / Keyboard Amplifier with FX and FBQ Feedback Detection

Specifications	2
PCB Schematic	3
Parts List	8
Exploded Drawing	20

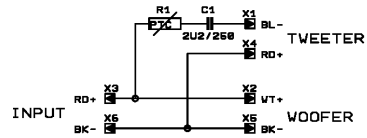
behringer.com



ULTRATONE K900FX

Specifications

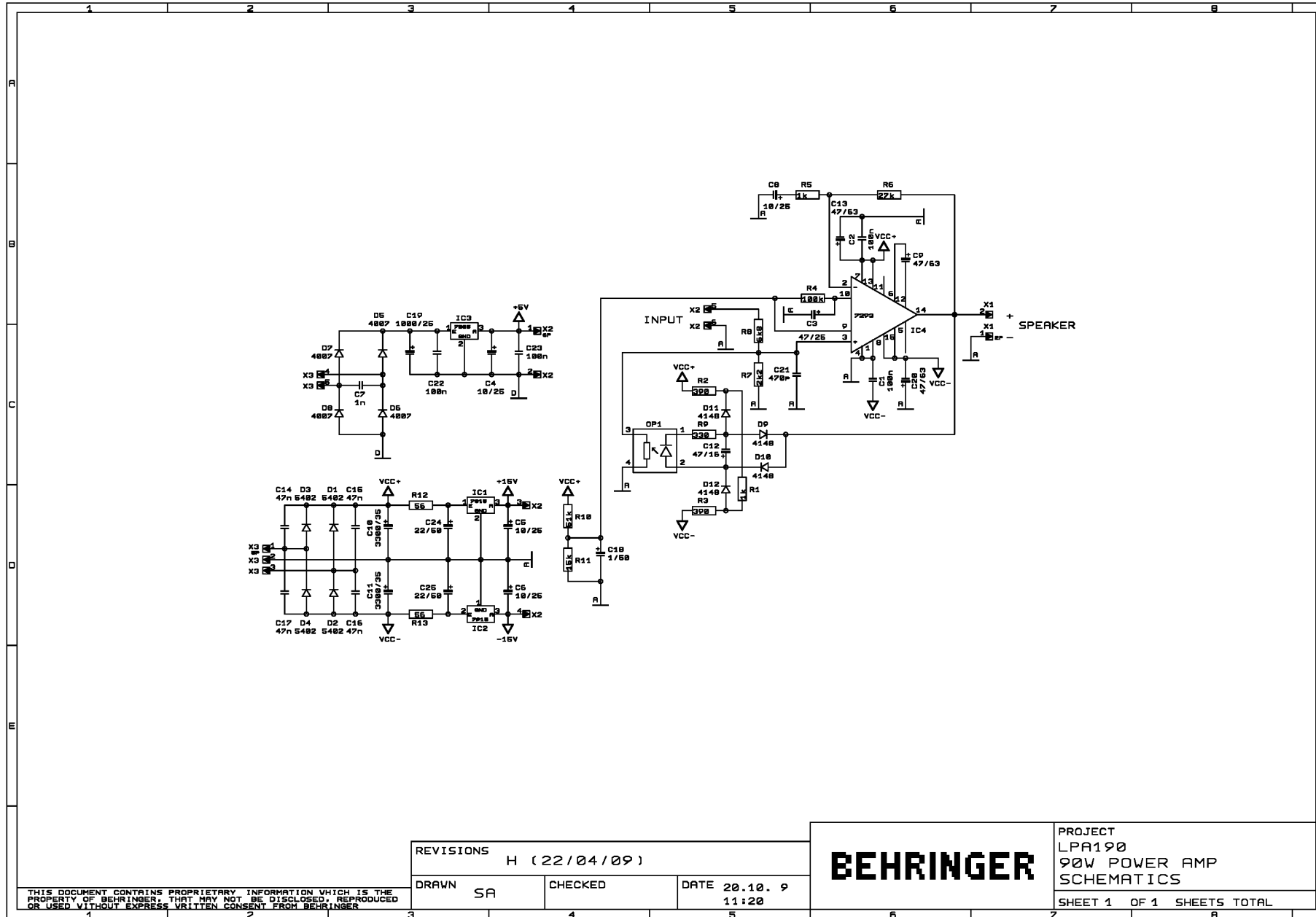
- Ultra-flexible 90-Watt 3-channel PA System / Keyboard Amplifier
- Powerful 12" BUGERA woofer and custom-made 1" driver for ultimate sound reproduction
- Integrated digital FX processor with 100 awesome presets including reverb, chorus, flanger, delay, pitch shifter and various multi-effects
- Revolutionary FBQ Feedback Detection System instantly reveals critical frequencies
- Full 3-channel operation with separate Volume and FX Send per channel
- Additional XLR mic input on Channel 1 for direct connection of dynamic microphones
- Dedicated 5-band graphic EQ for awesome sound shaping
- Line output for direct connection to your mixing console
- Main section with FX Return level and Master Volume
- Subwoofer output for ultimate low-end power
- CD input allows you to play along to your favorite music
- Separate headphone output—perfect for quiet practicing
- Integrated 35-mm pole socket for stand mounting and use as PA System
- High-quality components and exceptionally rugged construction ensure long life
- Conceived and designed by BEHRINGER Germany

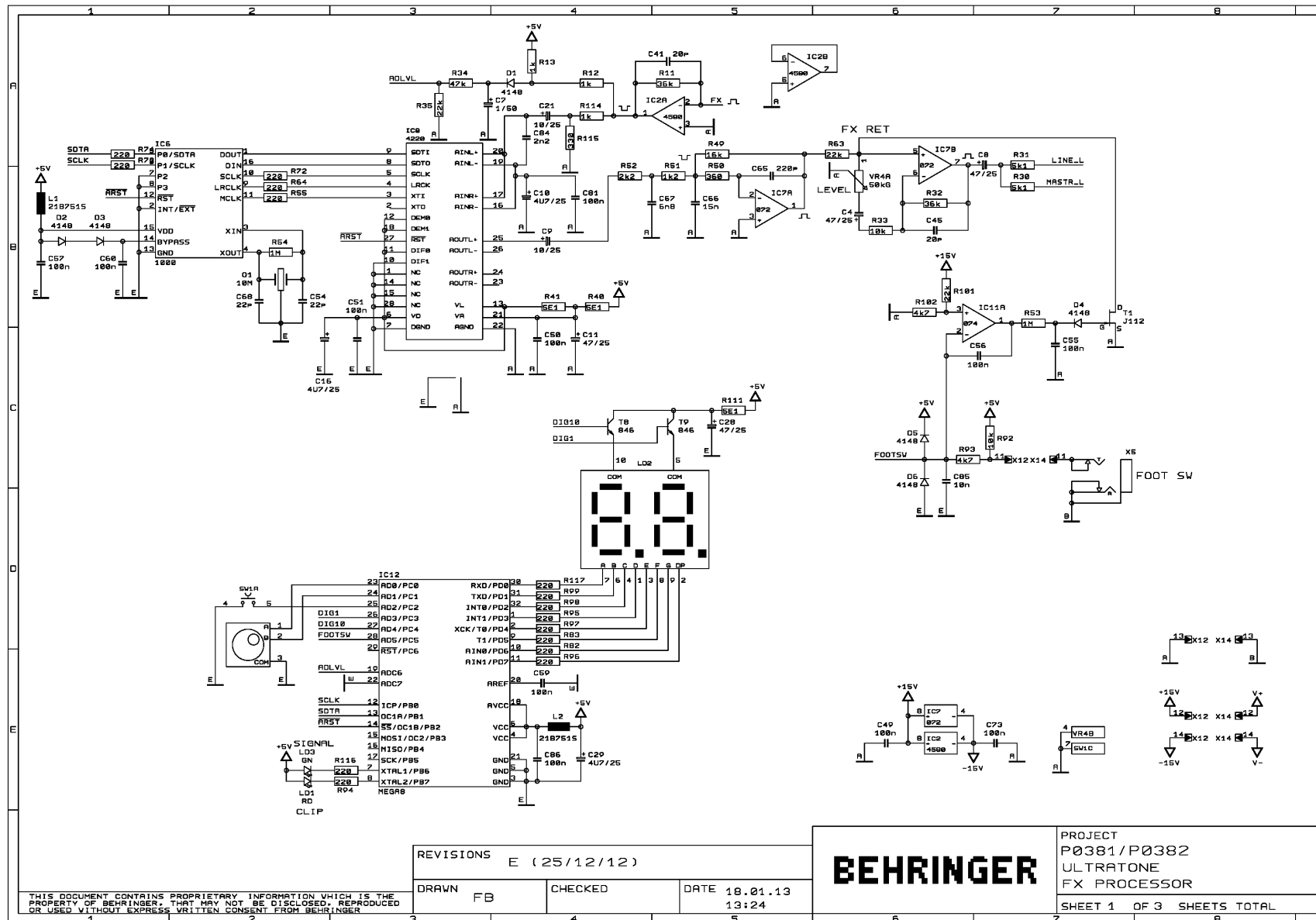


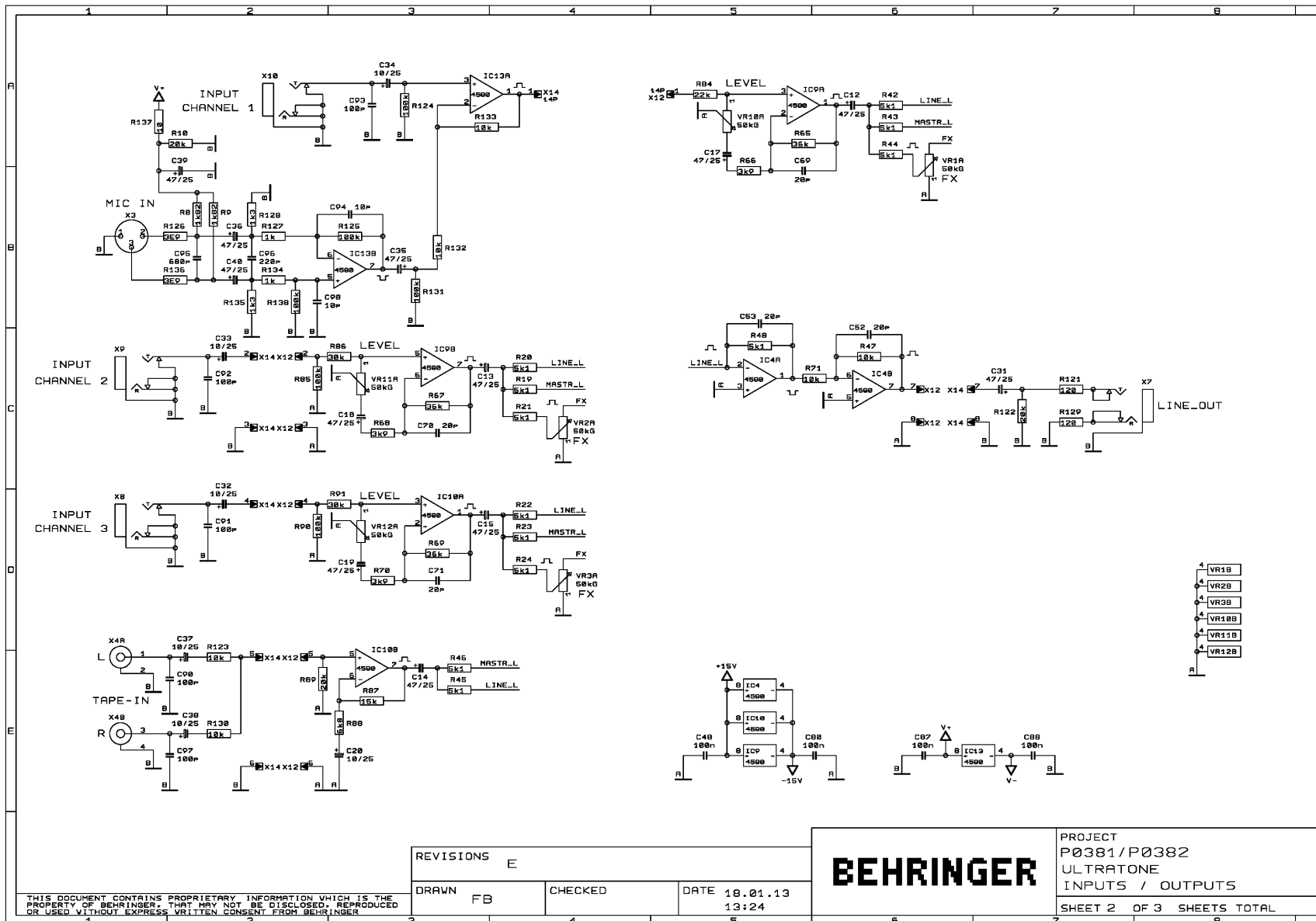
REVISIONS B (01/03/06)		
DRAWN RI	CHECKED	DATE 20.10. 9 11:09

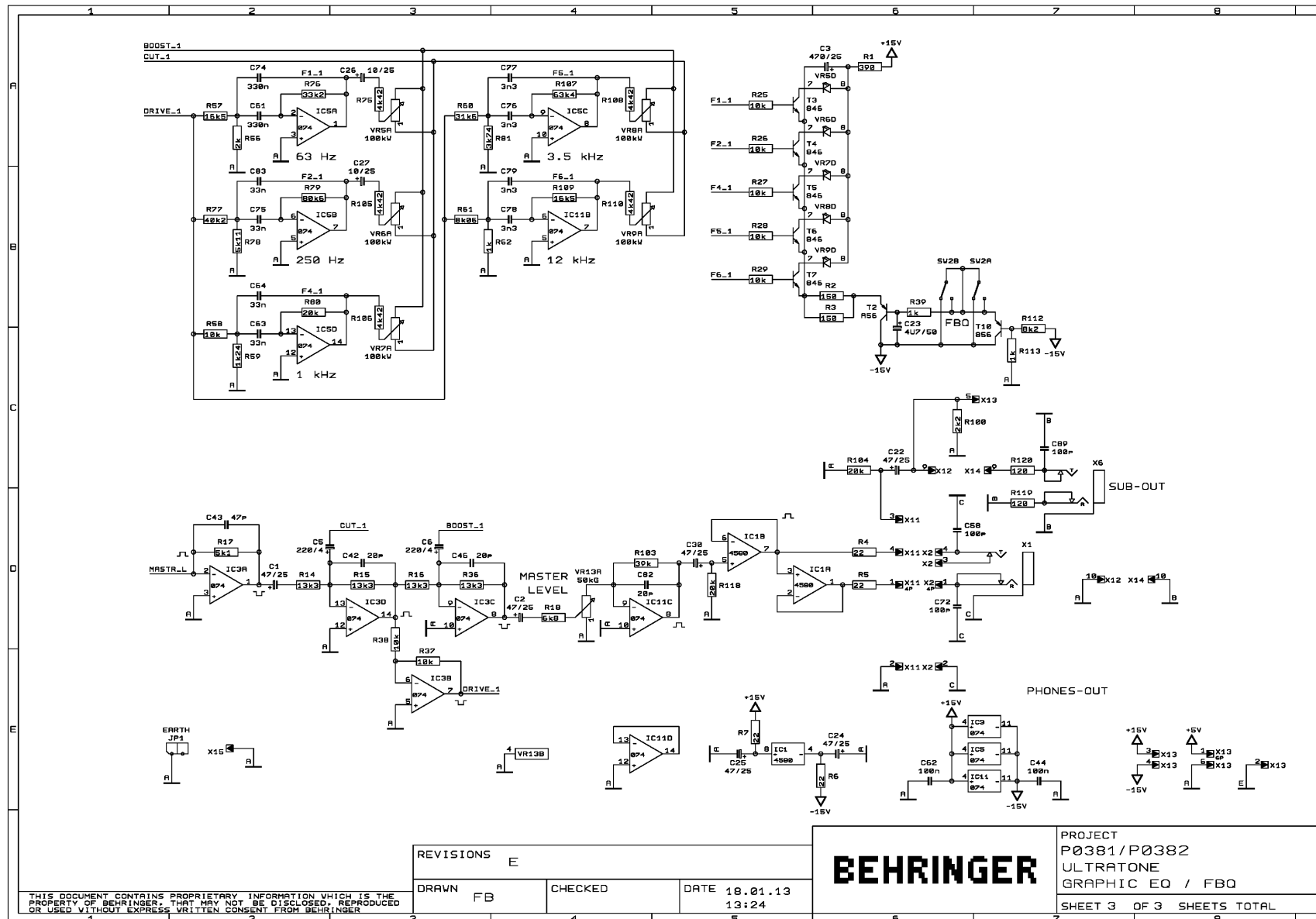
BEHRINGER	PROJECT K3000XOV
	CROSSOVER KFX-SERIES SCHEMATICS
	SHEET 1 OF 1 SHEETS TOTAL

THIS DOCUMENT CONTAINS PROPRIETARY INFORMATION WHICH IS THE PROPERTY OF BEHRINGER. THAT MAY NOT BE DISCLOSED, REPRODUCED OR USED WITHOUT EXPRESS WRITTEN CONSENT FROM BEHRINGER.









Hi Pcb Assemblies

	Quantity	Unit	S.Sku	M.Sku	Description	Reference Designators	Notes
1	1.0000	PC	Q05-37900-10313	A05-37900-10313	PCB ASSEMBLY;X-OVER;K3000FX;REV:B;HI;NO:601030		UPDATE TO NEW REVISION
2	1.0000	PC		A05-38100-09455	PCB ASSEMBLY;LPA190_KFX;REV:H;HAND INSERT;NO:922040		
3	1.0000	PC	Q05-38201-07598	A05-38201-07598	PCB ASSEMBLY;K450FX;PCB:1;FRONT;REV:E;HI;NO:912080		
4	1.0000	PC	Q05-38202-07616	A05-38202-07616	PCB ASSEMBLY;K450FX;PCB:2;PHONES;REV:E;HI;NO:913080		
5	1.0000	PC	Q05-38203-07617	A05-38203-07617	PCB ASSEMBLY;K450FX;PCB:3;REAR;REV:E;HI;NO:929030		
6	1.0000	PC	Q05-37900-10313	A05-37900-10313	PCB ASSEMBLY;X-OVER;K3000FX;REV:B;HI;NO:601030		(EU, UL, UK, SAA, BR, AR, HM)

Service Assemblies

	Quantity	Unit	S.Sku	M.Sku	Description	Reference Designators	Notes
1			Q04-38100-01485	A04-38100-01485	SUB ASSEMBLY;LPA190 SEMI-PRODUCT FOR K900FX	[EXTRA SPARE]	

Cable

	Quantity	Unit	S.Sku	M.Sku	Description	Reference Designators	Notes
1	0.1620	M		A74-00000-00714	WIRE;RAW FLAT CABLE;UL2651;AWG:28;POLES;14;GRAY;PIN1:RED;PITCH:1mm27		
2	1.0000	PC		A74-00050-15714	CABLE;FLAT;P2mm54;LENGTH:150mm;AWG:28;FC3/FD;+10/-0mm;POLES:14	[K450FX:1:{1.0}{X12}]	
3	1.0000	PC		A81-03530-46542	WIRE HARNESS;LENGTH:35mm;AWG:26;P:2mm;SHS;HOUSING-BOARD IN CONNECTOR;POLES:4;PIN1 RD/OTHERS BK	[K450FX:1:{1.0}{X11}]	
4	1.0000	PC		A81-12030-66522	WIRE HARNESS;LENGTH:120mm;AWG:26;P:2mm;HOUSING - 5mm STRIP/TIN;PIN1/OTHERS BLACK		
5	1.0000	PC		A88-00000-03630	CABLE;SPEAKER;AWG:18;UL1007;3.96 MM;2;COMMON;470 MM;RD/BK;JS1121,CROSSED WIRE		
6	1.0000	PC		A88-00000-81986	CABLE;SPEAKER;290 MM;AWG:18;UL1007;RED;S/T:5MM;RED&BLUE AMP terminal:5.2mm		
7	1.0000	PC		A88-00000-81987	CABLE;SPEAKER;400 MM;AWG:18;UL1007;WHITE;S/T:5MM;WHITE&BLACK AMP terminal:5.2mm		
8	1.0000	PC	Q76-15042-05624	A76-15042-05624	CABLE;AC-CORD;W/POLYBAG;LENGTH:150cm;H05VV-F3G0.75MM2;VERSION;UK;SPEC.NO:05624		(UK)
9	0.0000	PC		A76-18050-06505	CABLE;AC-CORD;LENGTH:180cm;VERSION:SAA;PLUG:HE105 ISOLATED;SAA H05VV-F 3x0.75mm2;CONN.HP-3;PANYU		(SAA)
10	1.0000	PC	Q76-00000-13573	A76-00000-13573	CABLE;AC-CORD;3;AR;1500 MM;Plug + Connector:321+730;H05VV-F 3G0.75		(AR)
11	1.0000	PC	Q76-18050-47490	A76-18050-47490	CABLE;AC-CORD;LENGTH:180cm;VERSION:SAA;PLUG:HE105 ISOLATED;SAA H05VV-F 3x0.75mm2;CONN.HP-3;SPEC.NO:47490		(SAA)
12	1.0000	PC	Q76-15032-55649	A76-15032-55649	CABLE;AC-CORD;CLASS II;W/POLYBAG;JAPAN;LENGTH:150cm;POLES:3;APPROVAL:PSE;JS15S 3 + VCTF 3x0.75mm2 + V1528		(HM, SH)
13	1.0000	PC	Q76-15222-06417	A76-15222-06417	CABLE;AC-CORD;W/POLYBAG;LENGTH:152cm;AWG:18;VERSION;UL;SPEC.NO:06417		(UL)
14	1.0000	PC	Q76-00000-05305	A76-00000-05305	CABLE;AC-CORD;3;BR;1500 MM;Plug + Connector:375+730;H05VV-F 3G0.75		(BR)
15	1.0000	PC	Q76-15212-03119	A76-15212-03119	CABLE;AC-CORD;W/POLYBAG;LENGTH:152cm;H05VV-F 3G 0.75MM2;VERSION;EU;SPEC.NO:03119		(EU)

Capacitor

	Quantity	Unit	S.Sku	M.Sku	Description	Reference Designators	Notes
1	2.0000	PC			CAP E;220uF;4V;PITCH:2mm5;5mm x 11mm;VERTICAL 12.7-15-9mm	[P0382:01: {2.0}(C5-C6)]	*NOT available in DP
2	1.0000	PC			CAP E;47uF;16V;PITCH:2mm5;5mm x 11mm;VERTICAL 12.7-15-9mm	[P0381:00: {1.0}(C12)]	*NOT available in DP
3	1.0000	PC			CAP E;2uF2;25V;PITCH:2mm5;5mm x 11mm;VERTICAL 12.7-15-9mm	[P0382:03: {1.0}(C35)]	*NOT available in DP
4	3.0000	PC			CAP E;4uF7;25V;PITCH:2mm5;5mm x 11mm;VERTICAL 12.7-15-9mm	[K450FX:1: {1.0}(C29)]	*NOT available in DP
5	10.0000	PC			CAP E;10uF;25V;PITCH:2mm5;5mm x 11mm;VERTICAL 12.7-15-9mm	[P0382:01: {5.0}(C9,C20-C21,C26-C27)]	*NOT available in DP
6	20.0000	PC			CAP E;47uF;25V;PITCH:2mm5;5mm x 11mm;VERTICAL 12.7-15-9mm	[K450FX:1: {1.0}(C30)]	*NOT available in DP
7	1.0000	PC			CAP E;47uF;25V;PITCH:2mm5;5mm x 7mm;VERTICAL 12.7-15-9mm	[P0382:03: {1.0}(C36)]	*NOT available in DP
8	1.0000	PC			CAP E;470uF;25V;PITCH:5mm;10mm x 12mm;HIGH:1.2mm+0/-0mm5;VERTICAL 12.7-15-9mm	[P0382:01: {1.0}(C3)]	*NOT available in DP
9	1.0000	PC			CAP E;1mF;25V;PITCH:5mm;10mm x 20mm;VERTICAL 12.7-15-9mm	[P0381:00: {1.0}(C19)]	*NOT available in DP
10	2.0000	PC			CAP E;1uF;50V;PITCH:2mm5;5mm x 11mm;VERTICAL 12.7-15-9mm	[P0381:00: {1.0}(C18)]	*NOT available in DP
11	1.0000	PC			CAP E;4uF7;50V;PITCH:2mm5;5mm x 11mm;VERTICAL 12.7-15-9mm	[P0382:01: {1.0}(C23)]	*NOT available in DP
12	2.0000	PC			CAP E;22uF;50V;PITCH:2mm5;5mm x 11mm;VERTICAL 12.7-15-9mm	[P0381:00: {2.0}(C24-C25)]	*NOT available in DP
13	3.0000	PC			CAP E;47uF;63V;PITCH:2mm5;6mm x 11mm;VERTICAL 12.7-15-9mm	[P0381:00: {3.0}(C9,C13,C20)]	*NOT available in DP
14	1.0000	PC			CAP CER;1nF;63V;10%;PITCH:5mm;DISC;VERTICAL 12.7-15-9mm	[P0381:00: {1.0}(C7)]	*NOT available in DP
15	2.0000	PC			CAP CER;10pF;50V;10%;SMT603	[K450FX:3: {2.0}(C94,C98)]	*NOT available in DP
16	10.0000	PC			CAP CER;20pF;50V;20%;SMT603	[K450FX:1: {10.0}(C41-C42,C45-C46,C52-C53,C69-C71,C82)]	*NOT available in DP
17	2.0000	PC			CAP CER;22pF;50V;10%;SMT603	[K450FX:1: {2.0}(C54,C68)]	*NOT available in DP
18	1.0000	PC			CAP CER;47pF;50V;5%;COG(NPO);SMT603	[K450FX:1: {1.0}(C43)]	*NOT available in DP
19	8.0000	PC			CAP CER;100pF;50V;20%;SMT603	[K450FX:2: {2.0}(C58,C72)]	*NOT available in DP
20	1.0000	PC			CAP CER;220pF;50V;10%;SMT603	[K450FX:3: {1.0}(C96)]	*NOT available in DP
21	1.0000	PC			CAP CER;470pF;50V;10%;SMT603	[38100: {1.0}(C21)]	*NOT available in DP
22	1.0000	PC			CAP CER;680pF;50V;10%;SMT603	[K450FX:3: {1.0}(C95)]	*NOT available in DP
23	1.0000	PC			CAP CER;1nF;50V;10%;SMT603	[K450FX:1: {1.0}(C65)]	*NOT available in DP
24	1.0000	PC			CAP CER;2nF2;50V;10%;SMT603	[K450FX:1: {1.0}(C84)]	*NOT available in DP
25	4.0000	PC			CAP CER;3nF3;50V;10%;SMT603	[K450FX:1: {4.0}(C76-C79)]	*NOT available in DP
26	1.0000	PC			CAP CER;6nF8;50V;10%;SMT603	[K450FX:1: {1.0}(C67)]	*NOT available in DP
27	1.0000	PC			CAP CER;10nF;50V;10%;SMT603	[K450FX:1: {1.0}(C85)]	*NOT available in DP
28	1.0000	PC			CAP CER;15nF;50V;10%;SMT603	[K450FX:1: {1.0}(C66)]	*NOT available in DP
29	4.0000	PC			CAP CER;33nF;50V;10%;SMT805	[K450FX:1: {4.0}(C63-C64,C75,C83)]	*NOT available in DP
30	19.0000	PC			CAP CER;100nF;50V;X7R;10%;SMT805	[38100: {2.0}(C22-C23)]	*NOT available in DP
31	2.0000	PC			CAP CER;330nF;50V;10%;SMT805	[K450FX:1: {2.0}(C61,C74)]	*NOT available in DP
32	2.0000	PC			CAP FILM;100nF;63V;MPF;10%;PITCH:5mm;BOX;VERTICAL 12.7-15-9mm	[38100: {1.0}(C2)]	*NOT available in DP
33	4.0000	PC			CAP FILM;47nF;100V;MPF;10%;PITCH:5mm;BOX;PRE CUT:3mm1 +/-0mm5	[38100: {4.0}(C14-C17)]	*NOT available in DP
34	1.0000	PC			CAP FILM;2uF2;250V;MPF;AXIAL;PRE CUT 25+ -1 mm	[X-OVER:00: {1.0}(C1)]	*NOT available in DP
35	4.0000	PC			CAP E;10uF;25V;PITCH:2mm5;5mm x 11mm;105C;VERTICAL 12.7-15-9mm	[38100: {1.0}(C8)]	*NOT available in DP
36	1.0000	PC			CAP E;47uF;25V;PITCH:2mm5;5mm x 11mm;105C;VERTICAL 12.7-15-9mm	[38100: {1.0}(C3)]	*NOT available in DP
37	2.0000	PC			CAP E;3mF3;35V;PITCH:7mm5;16mm x 35mm;PRE CUT:3mm2 -0/+0mm2;105C	[38100: {2.0}(C10-C11)]	*NOT available in DP

Circuit Protector

	Quantity	Unit	S.Sku	M.Sku	Description	Reference Designators	Notes
1	1.0000	PC	R22-01513-31501	B22-01513-31501	FUSE;3A15;250V;SLOW BLOW;H-TYPE;5mm x 20mm		(UL, BR, HM, SH)
2	1.0000	PC		B22-02512-50001	FUSE;500mA;250V;SLOW BLOW;L-TYPE;5mm x 20mm		(EU, UL, UK, SAA, BR, AR, HM, SH)
3	1.0000	PC		B22-02512-50001	FUSE;500mA;250V;SLOW BLOW;L-TYPE;5mm x 20mm		
4	1.0000	PC	R22-01513-16001	B22-01513-16001	FUSE;1A6;250V;SLOW BLOW;H-TYPE;5mm x 20mm		(EU, UK, SAA, AR)
5	1.0000	PC	R22-01513-16001	B22-01513-16001	FUSE;1A6;250V;SLOW BLOW;H-TYPE;5mm x 20mm		

Coil

	Quantity	Unit	S.Sku	M.Sku	Description	Reference Designators	Notes
1	2.0000	PC	R39-00000-03394	B39-00000-03394	COIL;SMD;BEAD;SMD0805;(BLM21BD751SN1D)	[K450FX:1: {2.0}(L1-L2)]	
2	1.0000	PC		B44-31530-00868	FERRITE CORE;SPLITTABLE;IMPEDANCE AT 25MHz:53ohms;18mm5*17mm8*34mm;MAX.CABLE DIA:5mm5		SPLITTABLE
3	1.0000	PC		B44-31530-00868	FERRITE CORE;SPLITTABLE;IMPEDANCE AT 25MHz:53ohms;18mm5*17mm8*34mm;MAX.CABLE DIA:5mm5		(EU, UL, UK, SAA, BR, AR, HM)

Connector

	Quantity	Unit	S.Sku	M.Sku	Description	Reference Designators	Notes
1	4.0000	PC	R84-00000-01620	B84-00000-01620	AMP TERMINAL;BRASS W TIN;7205A-B5-2		
2	2.0000	PC	R84-22000-06018	B84-22000-06018	CRIMP TERMINAL;PITCH:3mm96;AWG18-22;A3963TOP-2		
3	16.0000	PC	R84-25016-06014	B84-25016-06014	CRIMP TERMINAL;PITCH:2mm0;AWG24-30;A2008TOP-2		
4	4.0000	PC	R84-30000-06293	B84-30000-06293	JACKET;FOR 205 TERMINAL.;DIA:4mm		
5	1.0000	PC	R84-30046-39242	B84-30046-39242	CONNECTOR;AMP CONN TERMINAL;MATERIAL:PAPER FIBRE;QUADRUPLE;(BWF38703003-TERMINAL-REVA.DWG)		
6	1.0000	PC		B84-42050-00155	CRIMP CONNECTOR;LUG;INNER DIA:4mm3;AWG 14-18;WIRE MOUNT;STRAIGHT		
7	1.0000	PC	R95-01340-03300	B95-01340-03300	CONNECTOR;XLR;SOCKET;FEMALE;STRAIGHT;POLES:3	[K450FX:3: {1.0}(X3)]	
8	1.0000	PC	R84-39000-33065	B84-39000-33065	CONNECTOR;AWG 14-16;CLOSED ENDED;W/ NYLON66 COVER;APPROVALS:UL-CSA		(EU, UL, UK, SAA, BR, AR)
9	1.0000	PC	R84-39000-33065	B84-39000-33065	CONNECTOR;AWG 14-16;CLOSED ENDED;W/ NYLON66 COVER;APPROVALS:UL-CSA		

Diode

	Quantity	Unit	S.Sku	M.Sku	Description	Reference Designators	Notes
1	4.0000	PC			DIODE;1N4007;DO41	[P0381:00: {4.0}(D5-D8)]	*NOT available in DP
2	4.0000	PC			DIODE;1N5402;DO201AD;TEMIC OR FC	[38100: {4.0}(D1-D4)]	*NOT available in DP
3	10.0000	PC			DIODE;LL4148;LL34;TEMIC OR FC	[38100: {4.0}(D9-D12)]	*NOT available in DP

Display

	Quantity	Unit	S.Sku	M.Sku	Description	Reference Designators	Notes
1	1.0000	PC	S28-27030-37066	C28-27030-37066	DISPLAY;LED;HEIGHT:0in3;PATTERN:8.8.;RD;STRONG BASE:E3-2030AHR3-P10	[K450FX:1: {1.0}(LD2)]	

Hardware

	Quantity	Unit	S.Sku	M.Sku	Description	Reference Designators	Notes
1	140.0000	PC			NAIL;CROWN:2mm2;WIDTH:1mm27;THICKNESS:1mm0;LENGTH:25mm;18-GAUGE (0.49*0.40) FINISH;GALVANIZED		*NOT available in DP
2	30.0000	PC			NAIL;STAPLE;CROWN 10mm;LEGLNGTH:10mm;WIDTH:1.2mm;THICKNESS:0mm6;FINISH: GALVANIZED		*NOT available in DP
3	3.0000	PC			CABLE TIE;NYLON;4in;COLOR:		*NOT available in DP
4	1.6900	G			THERM-GREASE;COLOR:WHT;SPEC.NO:09286		*NOT available in DP
5	3.0800	G			SCREWLOCK;SPEC.NO:01090		*NOT available in DP
6	7.0000	PC			T-NUT;INNER DIA;M4mm;W/PRONG;SURFACE:ZINC/BLACK		*NOT available in DP
7	2.0000	PC			HEX. NUT;INNER DIA;M4mm;SURFACE:ZINC		*NOT available in DP
8	10.0000	PC			T-NUT;INNER DIA;M5mm;W/PRONG;SURFACE:ZINC/BLACK		*NOT available in DP
9	4.0000	PC			T-NUT;INNER DIA;M6mm;W/PRONG;SURFACE:ZINC/BLACK		*NOT available in DP
10	6.0000	PC			HEX. NUT;FOR JACK;M 3/8in;HEXWRENCH:11mm;THICKNESS:2mm;SURFACE:NICKEL/SLV		*NOT available in DP
11	1.0000	PC			OCT. NUT;FOR JACK;3/8in;OCTWRENCH:14.5mm;THICKNESS:3.5mm;SURFACE:NICK EL/SILVER		*NOT available in DP
12	16.0000	PC			SCREW;A;4 MM;16 MM;PAN;ZINC;BLACK;2.84 MM;SC,A4*16mm		*NOT available in DP
13	8.0000	PC			SCREW;M3mm*6mm;HEAD:PAN;INSERT:PHILIPS REC.;SURFACE:SILVER/ZINC		*NOT available in DP
14	2.0000	PC			SCREW;M3mm*6mm;PITCH:0mm5;HEAD:FLAT;INSERT:PHILIPS REC.;SURFACE:BLACK/ZINC		*NOT available in DP
15	3.0000	PC			SCREW;BT3mm*8mm;HEAD:PAN;INSERT:PHILLIPS REC.;SURFACE:BLACK/ZINC		*NOT available in DP
16	3.0000	PC			SCREW;M3mm*8mm;HEAD:PAN;INSERT:PHILIPS REC.;SURFACE:ZINC		*NOT available in DP
17	2.0000	PC			SCREW;A3mm*16mm;HEAD:PAN;INSERT:PHILIPS REC.;SURFACE:BLACK/ZINC		*NOT available in DP
18	8.0000	PC			SCREW;M4mm*8mm;HEAD:PAN;INSERT:PHILIPS REC.;SURFACE:BLACK/ZINC		*NOT available in DP
19	1.0000	PC			SCREW;M4mm*10mm;HEAD:PAN;INSERT:PHILIPS REC.;SURFACE:SILVER/ZINC		*NOT available in DP
20	4.0000	PC			SCREW;M4mm*11mm;HEAD:PAN;INSERT:PHILIPS REC.;SURFACE:BLACK/ZINC		*NOT available in DP
21	8.0000	PC			SCREW;A4mm*19mm;HEAD:PAN WASHER;INSERT:PHILLIPS REC.;SURFACE:BLACK/ZINC		*NOT available in DP
22	7.0000	PC			SCREW;M4mm*20mm;HEAD:PAN;INSERT:PHILIPS REC.;SURFACE:BLACK/ZINC		*NOT available in DP
23	3.0000	PC			SCREW;M4mm*30mm;HEAD:OVAL;INSERT:PHILIPS REC.;SURFACE:BLACK/ZINC		*NOT available in DP
24	1.0000	PC			SCREW;M4mm*60mm;HEAD:BINDING;INSERT:PHILIPS REC.;SURFACE:BLACK/ZINC		*NOT available in DP
25	4.0000	PC			SCREW;M4mm*60mm;HEAD:OVAL;INSERT:PHILIPS REC.;SURFACE:BLACK/ZINC		*NOT available in DP
26	10.0000	PC			SCREW;M5mm*25mm;HEAD:PAN;INSERT:PHILIPS REC.;SURFACE:BLACK/ZINC		*NOT available in DP
27	4.0000	PC			SCREW;M6mm*35mm;HEAD:FLAT;INSERT:PHILIPS REC.;SURFACE:BLACK/ZINC		*NOT available in DP
28	2.0000	PC	V89-32023-00182	F89-32023-00182	INSULATION SHEET;GLIMMER;18mm x 23mm;NO HOLE;THICKNESS:0mm15		
29	1.0000	PC			SILICA GEL;MASS;30g;SPEC.NO:30QB-BB2001-4		*NOT available in DP
30	0.0500	M			SHRINKING TUBE;INNER DIA;1mm;SPEC.NO:43217		*NOT available in DP
31	24.0000	MM			SHRINKING TUBE;INNER DIA;2MM;SPEC NO:15747		*NOT available in DP
32	0.0300	M			SHRINKING TUBE;INNER DIA;4mm;SPEC.NO:01098		*NOT available in DP

	Quantity	Unit	S.Sku	M.Sku	Description	Reference Designators	Notes
33	0.0600	M			SHRINKING TUBE;INNER DIA:5mm2;SPEC.NO:16898;		*NOT available in DP
34	1.0000	PC			WASHER;9.7 MM;16 MM;NICKEL;WHITE;WASHER;FLAT;DIM:9.7*16*0.5mm;NIC		*NOT available in DP
35	3.0000	PC			WASHER;PLAIN;INNER DIA:3mm;OUTER DIA:6mm;THICKNESS;0mm5		*NOT available in DP
36	1.0000	PC			WASHER;PLAIN;INNER DIA.4mm2;OUTER DIA.12mm;THICKNESS.1mm5;PLATING:BLACK/ZINC		*NOT available in DP
37	6.0000	PC			WASHER;PLAIN;INNER DIA:9mm6;OUTER DIA:13mm;THICKNESS;0mm5;PLATING:NICKEL		*NOT available in DP
38	1.0000	PC			WASHER;SPRING;INNER DIA:4mm2;OUTER DIA:7mm;THICKNESS:1mm7;PLATING:BLACK/ZINC		*NOT available in DP
39	3.0000	PC			WASHER;EXTERNAL TEETH;INNER DIA:3mm;OUTER DIA:6mm;THICKNESS:0mm5		*NOT available in DP
40	2.0000	PC			WASHER;EXTERNAL TEETH;INNER DIA:4mm;OUTER DIA:7mm;THICKNESS;1mm7		*NOT available in DP
41	4.0000	PC			WASHER;OVERLAP EXTERNAL TEETH;MATERIAL:STEEL 0mm5;INNER DIA:4mm2;OUTER DIA:8mm;THICKNESS:1mm1;PLATING:ZINC		*NOT available in DP
42	7.0000	PC			WASHER;DONUT;INNER DIA:5mm5;OUTER DIA:16mm;THICKNESS;2mm6;PLATING:BLACK/ZINC		*NOT available in DP
43	1.0000	PC		F97-00100-07836	STUFFER SHEET;P0381;ARTIFICIAL COTTON;DST.NO:001;DPT.NO:07836;(P0381-MI-STUFFER-REVA.DWG)		
44	3.0000	PC		F97-00100-07959	SHEET;PVC;KFX-SERIES;15mm x 12mm x 1mm5;DST.NO:001;DPT.NO:07959;(K-SERIES_PVCSHEET15X12X1.5-REVA.DWG)		

Ic

	Quantity	Unit	S.Sku	M.Sku	Description	Reference Designators	Notes
1	1.0000	PC	S60-54422-00528	C60-22422-00528	IC;AD/DA;V4220M;SSOP	[K450FX:1: {1.0}(IC8)]	
2	1.0000	PC		C60-54422-00528	IC;AD/DA;CS4220;SOP		
3	1.0000	PC	S61-43729-36315	C61-43729-36315	IC;POWER-AMP;TDA7293;100W;MULTIWATT-15	[38100: {1.0}(IC4)]	
4	5.0000	PC		C73-00000-29050	IC;OPAMP;SMD;SOP;8;BA4580RF	[K450FX:1: {4.0}(IC2,IC4,IC9-IC10)]	
5	3.0000	PC	S73-58007-40514	C73-31007-40514	IC;OPAMP OPAMP;TL074;SOP;	[K450FX:1: {3.0}(IC3,IC5,IC11)]	
6	1.0000	PC	S73-58007-22208	C73-58007-22208	IC;OPAMP OPAMP;TL072;SOP;BRAND:ST ONLY	[K450FX:1: {1.0}(IC7)]	
7	1.0000	PC		C73-59458-00408	IC;OPAMP OPAMP;NJM4580L;SIP	[K450FX:1: {1.0}(IC1)]	
8	4.0000	PC	S73-59458-00508	C73-59458-00508	IC;OPAMP OPAMP;NJM4580;SOP		
9	1.0000	PC	S77-05107-03110	C77-05107-03110	IC;VOLT.REGULATOR;7805F;FULLPACK;TO220	[38100: {1.0}(IC3)]	
10	1.0000	PC	S77-15107-03110	C77-15107-03110	IC;VOLT.REGULATOR;7815F;FULLPACK;TO220	[38100: {1.0}(IC1)]	
11	1.0000	PC	S77-15207-03015	C77-15207-03015	IC;VOLT.REGULATOR;BRAND:ST MICROELECTRONICS;L7915;TO220	[38100: {1.0}(IC2)]	
12	1.0000	PC	T12-00100-02216	D12-00100-02217	IC;DIG COMM.;EUROTEC;V1000;SOIC	[K450FX:1: {1.0}(IC6)]	
13	1.0000	PC	T24-18081-61832	D24-18081-61832	IC;MICROCONTROLLER;ATMEGA8A-AU;SMD;TQFP32	[K450FX:1: {1.0}(IC12)]	

Led

	Quantity	Unit	S.Sku	M.Sku	Description	Reference Designators	Notes
1	1.0000	PC	U10-33565-00578	E10-33565-00578	LED HIB;2mm x 5mm;GREEN	[K450FX:1: {1.0}(LD3)]	
2	1.0000	PC		E10-57630-05113	LED HIB;3mm ROUND;RED		
3	1.0000	PC		E12-37630-00579	LED;2mm x 5mm;RD	[K450FX:1: {1.0}(LD1)]	

Metal Part

	Quantity	Unit	S.Sku	M.Sku	Description	Reference Designators	Notes
1	1.0000	PC		A60-00100-05109	METAL;TOP PLATE;75x26.8x4H;DST.NO:001;DPT.NO:05109;(LS-TP75S02A-REVA.DWG)		
2	1.0000	PC		A62-00200-03399	METAL;FRAME;12 black 1.0mm steel;DST.NO:002;DPT.NO:03399;(LS-FR308S02B-REVB.DWG)		
3	1.0000	PC		A63-00100-06842	METAL;HEATSINK;LPA190;DST.NO:001;DPT.NO:06842;(LPA190-HEATSINK-REVA.DWG)		
4	1.0000	PC	Q65-00400-04700	A65-00000-49724	METAL;P0380;SECC 1.2mm;GRILL;STAMPING;SPRAYING;BLACK;REV:E		
5	1.0000	PC	Q65-00000-83030	A65-00000-83030	METAL;FOOT;P0AUM;ALUMINIUM ALLOY;DIECASTING;BLACK MATT;XVP-FOOTSTAND02-REVC		
6	0.0800	G		A65-00100-03043	METAL;FOIL;KAPTON;WIDTH:80 mm;THICKNESS:0.08 mm		
7	1.0000	PC		A65-00100-03328	METAL;LEFT TOP CORNER;P0381;DST.NO:001;DPT.NO:03328;(P0381-CORNER LTF-REVA.DWG)		
8	1.0000	PC		A65-00100-03329	METAL;RIGHT TOP CORNER;P0381;DST.NO:001;DPT.NO:03329;(P0381-CORNER RTF-REVA.DWG)		
9	1.0000	PC		A65-00100-03397	METAL;T YOKE;F108*6H-F49.8*27.5H;DST.NO:001;DPT.NO:03397;(LS-TY108S02A-REVA.DWG)		
10	1.0000	PC		A65-00100-03403	METAL;MESH;P0201;STAINLESS STEEL 0.2 mm;DIAMETER;25 mm;DST.NO:001;DPT.NO:03403;(LS-ME25S0_2A-REVA.DWG)		
11	1.0000	PC		A65-00100-05107	METAL;T-YOKE;75x5H-24.95x16H;DST.NO:001;DPT.NO:05107;(LS-TY75S02A-REVA.DWG)		
12	1.0000	PC		A65-00100-08641	METAL;TOP PLATE;ROUGHCAST;TPR108S01B;DST.NO:001;DPT.NO:08641;(LS-TPR108S01B-REVA.DWG)		
13	1.0000	PC		A65-00100-08649	METAL;TOP PLATE;TP108S02E;F108*F53.55*6H F90-6*M5;PLATING WEIGHT:314G;DST.NO:001;DPT.NO:08649;(LS-TP108S02E-REVA.DWG)		
14	1.0000	PC		A65-00100-12309	METAL;TOP PLATE DISCUS;TPD108S01A;DIA:108xDIA:52.2x6H;DST.NO:001;DPT.NO:12309;(LS-TPD108S01A[R]-REVA.DWG)		
15	1.0000	PC	Q65-00200-01677	A65-00200-01677	METAL;BELT;GX-SERIES;DST.NO:002;DPT.NO:01677;(R14-MET-BELT-REVB.DWG)		
16	2.0000	PC	Q65-00200-04931	A65-00200-04931	METAL CLIP;IC RETAINER 03;LM3886;DST.NO:002;DPT.NO:04931;(BXL450A-RETAINER_SPRING-LM3886-REVB.DWG)		
17	1.0000	PC		A65-00300-04932	METAL CLIP;IC RETAINER 04;TO220;DST.NO:003;DPT.NO:04932;(BXL450A-RETAINER_SPRING-TO220-REVC.DWG)		
18	1.0000	PC		A65-00600-07148	METAL;LEFT HEATSINK BRACKET;P0381;DST.NO:006;DPT.NO:07148;(P0381-HEATSINK LEFT BRACKET-REVF.DWG)		
19	1.0000	PC		A65-00600-07149	METAL;RIGHT HEATSINK BRACKET;P0381;DST.NO:006;DPT.NO:07149;(P0381-HEATSINK RIGHT BRACKET-REVF.DWG)		
20	6.0000	PC		A65-02000-04400	METAL;CORNER;GX112;DWG.NO:04400;(R20-GX112-CORNER-REVB.DWG)		
21	2.0000	PC		A65-04700-04125	METAL;HANDLE FIXATION;BG-SERIES;(STAINLESS) STEEL;DWG.NO:04125;(R14-MET_H-COVER-REVA.DWG)		
22	2.0000	PC		A65-15000-04134	METAL;SPACER;LENGTH:4mm4;HOLE DIA:3mm5;DWG.NO:04134;(R14-FS112-SPACER-REVA.DWG)		
23	1.0000	PC		J00-00000-58774	METAL;P0381;SECC 1.2mm;PANEL;BENDING + STAMPING;SPRAYING;SILVER;J005		

Plastic Part

	Quantity	Unit	S.Sku	M.Sku	Description	Reference Designators	Notes
1	4.0000	PC	W51-00300-06264	G51-00300-06264	RUBBER FOOT;ROUND;BIG;DWG.NO:06264;(R14-RUBFOOT_WASHER-REVA.DWG)		
2	1.0000	PC	W52-00200-00255	G52-00200-00255	ENCODER KNOB;COLOR:432U;DST.NO:002;DPT.NO:00255;(PMX-ENCODERKNOB-REVB.DWG)		
3	4.0000	PC	W52-00200-00256	G52-00200-00256	KNOB;POT;(10);430U;CAP:221U;DST.NO:002;DPT.NO:00256;(PMX-POTKNOB(10)[IN]-REVB.DWG)		
4	4.0000	PC	W52-00200-00261	G52-00200-00261	KNOB;POT;(12);430U;CAP:WHITE;DST.NO:002;DPT.NO:00261;(PMX-POTKNOB(12)[IN]-REVB.DWG)		
5	5.0000	PC	W52-00200-08623	G52-00200-08623	KNOB;FADER;FAD30MMKNOB 1;BLACK;DST.NO:002;DPT.NO:08623;(FADERKNOBBLK1-REVB.DWG)		
6	1.0000	PC	W52-00500-09353	G52-00500-09353	KNOB;SWITCH;UB-S;DST.NO:005;DPT.NO:09353;(UB-S_SWKNOB-REVE.DWG)		
7	1.0000	PC		G58-00000-14199	PLASTIC;POA2E;HOUSING;BLACK;LD-OPT01;DIM:8*10mm;LDOPT01HOUSING-REVE		
8	1.0000	PC		G58-00100-02166	GASKET;SPEAKER;5INCH;DST.NO:001;DPT.NO:02166;(SPEAKER-GASKET-H08-REVA.DWG)		
9	920.0000	MM	W58-00100-03986	G58-00100-03986	GASKET;SPEAKER;RGA10EVA1_5A;10in;MATERIAL:EVA;BLACK;WIDT H:10mm;HEIGHT:1mm5;DST.NO:001;DPT.NO:03986;(LS-RGA10EVA1_5A-REVA.DWG)		
10	1.0000	PC		G58-00100-05110	PLASTIC;TWEETER HORN COVER;25T20A8;DST.NO:001;DPT.NO:05110;(PLA-TWEETER COVER HORN-REVA.DWG)		
11	1.0000	PC		G58-00100-05111	PLASTIC;TWEETER BRACKET;25T20A8;DST.NO:001;DPT.NO:05111;(LS-TWEETER BRACKET-REVA.DWG)		
12	1.0000	PC	W58-00200-01081	G58-00200-01081	PLASTIC;HANDLE;P0357;PVC;EXTRUSION;BLACK;DST.NO:002;DPT.N O:01081;(R14-PLA-BELT-REVB.DWG)		
13	1.0000	PC	W58-00300-04665	G58-00300-04665	PLASTIC;PORT TUBE;P0382;DST.NO:003;DPT.NO:04665;(P0382-PORT TUBE-REVC.DWG)		
14	1.0000	PC		G58-00300-14053	PLASTIC;LED HOLDER;UB1002_1202FX;DST.NO:003;DPT.NO:14053;(UB1002FX-7SEGMENT_LED_HOLDER-REVC.DWG)		
15	1.0000	PC	W58-00500-05103	G58-00500-05103	PLASTIC;HORN;ABS;MOULDING;GLOSSY;SPRAYING;SILVER;GRAY, BRIGHT;KFX-SERIES;DST.NO:005;DPT.NO:05103;(HORN08-REVE.DWG)		
16	1.0000	PC		I64-00100-03907	PLASTIC;LED WINDOW;P0381;ACRYL;MATERIAL:PMMA;PRINTED;FST.NO:001;DPT. NO:03907;(P0381-PLA LED WINDOW-REVB.DWG)		
17	2.0000	PC	W58-40100-04229	I68-00000-40599	PLASTIC;P0000;HANDLECOVER;B001		
18	1.0000	PC		I68-00000-45508	PLASTIC;P0000;SILVER CHROME;BEHLOGO12;BKSR;68.38mm;A002		

Plug Socket

	Quantity	Unit	S.Sku	M.Sku	Description	Reference Designators	Notes
1	1.0000	PC	W61-65214-03291	G61-65214-03291	BOX HEADER;POLES:14;2 ROW;STRAIGHT;PITCH:2mm54;SCM-14S	[K450FX:3: {1.0}(X14)]	
2	1.0000	PC		G61-75214-05288	CABLE HEADER;POLES:14;2 ROW;IDE;STRAIGHT;PITCH:2mm54;FC-14P		
3	1.0000	PC		G61-85214-08163	TRANSITION PLUG;FLAT CABLE;POLES:14;ROWS:2;STRAIGHT;PITCH:2mm54;BLACK;FD-14P		
4	7.0000	PC	W64-01211-03174	G64-01211-03174	PLUG;JACK STEREO 6mm3;STRAIGHT SOLDER;W/O MET.RNG.;MET.BUSH.;NO NUT/WASHER;(JY-6351G-02-250)	[K450FX:2: {1.0}(X1)]	
5	1.0000	PC	W68-14002-00197	G68-14002-00197	SOCKET;RCA;(CHUNCHENG RCA-221H-01);FEMALE;POLES:2;PLATING:CU/SN;STRAIGHT;SEPARATE GROUNDS;TIPS:WHITE+RED	[K450FX:3: {1.0}(X4)]	
6	1.0000	PC		G71-00000-03961	WAFER;V1000-14B;0.35um;LOGIC-3.3V(1P4M)		
7	1.0000	PC	W71-23104-04758	G71-23104-04758	WAFER;POLES:4;STRAIGHT;PITCH:2 mm;1 ROW;TYPE:A2006WV-4P	[K450FX:2: {1.0}(X2)]	
8	2.0000	PC	W71-23106-04965	G71-23106-04965	WAFER;POLES:6;STRAIGHT;PITCH:2 mm;1 ROW;TYPE:A2006WV-6P	[38100: {1.0}(X2)]	
9	1.0000	PC	W71-27102-04759	G71-27102-04759	WAFER;POLES:2;STRAIGHT;PITCH:3.96 mm;1 ROW;JS1120-02	[38100: {1.0}(X1)]	
10	1.0000	PC		G71-27105-04761	WAFER;POLES:5;STRAIGHT;PITCH:3.96 mm;1 ROW;JS1120-05	[38100: {1.0}(X3)]	
11	1.0000	PC	W71-43104-05996	G71-43104-05996	PLUG;HOUSING;POLES:4;ROWS:1;STRAIGHT;PITCH:2mm;TYP:A2008		
12	2.0000	PC	W71-43106-05998	G71-43106-05998	PLUG;HOUSING;POLES:6;ROWS:1;STRAIGHT;PITCH:2mm;TYP:A2008		
13	1.0000	PC	W71-47102-05844	G71-47102-05844	PLUG;HOUSING;A3963H02;PITCH:3mm96;POLES:2;ROWS:1;UL94-V0;STRAIGHT		
14	4.0000	PC	W71-80000-05663	G71-80000-05663	BD.-IN-CONN;TERMINAL;SAN-002T-0.8A		
15	1.0000	PC	W71-83104-05644	G71-83104-05644	BOARD-IN-CONNECTOR;POLES:4;ROWS:1;STRAIGHT;PITCH:2 mm		
16	0.0000	PC	W67-20103-01396	G67-20103-01396	PLUG;AC SOCK;W FUSE;COLOR:BLK;POLES:03;(RONG-FENG RF-2004-C-4.8)		(EU, UL, UK, SAA, BR, AR, HM, SH)
17	0.0000	PC	W67-20103-01396	G67-20103-01396	PLUG;AC SOCK;W FUSE;COLOR:BLK;POLES:03;(RONG-FENG RF-2004-C-4.8)		
18	1.0000	PC		G67-20103-01421	PLUG;AC SOCK;W FUSE;COLOR:BLK;POLES:03;(JACKSON JR-101-1F)		(EU, UL, UK, SAA, BR, AR, HM, SH)
19	1.0000	PC		G67-20103-01421	PLUG;AC SOCK;W FUSE;COLOR:BLK;POLES:03;(JACKSON JR-101-1F)		

Power Supply

	Quantity	Unit	S.Sku	M.Sku	Description	Reference Designators	Notes
1	0.0000	PC		J68-73816-06320	TRAFO;TOROID;P0381;SAA 240V;(STANDARD SUCCESS TT-A-070-045-095W-BEH1-R1)		(UK, SAA, AR)
2	1.0000	PC	Z68-93819-06315	J68-93819-06315	TRAFO;TOROIDAL;P0381;EU/UL 120/230V;(NRE TR05-0022(R1L))		(EU, UL, BR)
3	0.0000	PC		J68-73817-06319	TRAFO;TOROID;P0381;JP 100V;(STANDARD SUCCESS TT-J-070-045-095W-BEH1-R1)		(HM, SH)
4	0.0000	PC		J68-73819-06318	TRAFO;TOROIDAL;P0381;EU/UL 120/230V;(STANDARD TT-D-070-045-095W-BEH1 R2)		(EU, UL, BR)
5	1.0000	PC	Z68-93817-06316	J68-93817-06316	TRAFO;TOROIDAL;P0381;JP 100V;(NRE TR05-0026(R1L))		(HM, SH)
6	1.0000	PC	Z68-93816-06317	J68-93816-06317	TRAFO;TOROIDAL;P0381;SAA 240V;(NRE TR05-0029(R1L))		(UK, SAA, AR)

Quarz

	Quantity	Unit	S.Sku	M.Sku	Description	Reference Designators	Notes
1	1.0000	PC	X65-10471-00000	H65-10471-00000	QUARZ;RESONATOR;10MHz;HC49U FUNDAMENTAL	[K450FX:1: {1.0}(Q1)]	

Resistor

	Quantity	Unit	S.Sku	M.Sku	Description	Reference Designators	Notes
1	2.0000	PC			RESISTOR;CARBON;3ohm9;5%;0W063;SMD603	[K450FX:3: {2.0}(R126,R136)]	*NOT available in DP
2	7.0000	PC			RESISTOR;CARBON;220ohm;5%;0W063;SMD603	[K450FX:1: {7.0}(R55,R64,R72-R74,R94,R116)]	*NOT available in DP
3	1.0000	PC			RESISTOR;CARBON;330ohm;5%;0W063;SMD603	[K450FX:1: {1.0}(R115)]	*NOT available in DP
4	1.0000	PC			RESISTOR;CARBON;360ohm;5%;0W063;SMD603	[K450FX:1: {1.0}(R50)]	*NOT available in DP
5	8.0000	PC			RESISTOR;CARBON;510ohm;5%;0W063;SMD603	[K450FX:1: {8.0}(R82-R83,R95-R99,R117)]	*NOT available in DP
6	6.0000	PC			RESISTOR;CARBON;1Kohm;5%;0W063;SMD603	[38100: {1.0}(R5)]	*NOT available in DP
7	1.0000	PC			RESISTOR;CARBON;1Kohm2;5%;0W063;SMD603	[K450FX:1: {1.0}(R51)]	*NOT available in DP
8	2.0000	PC			RESISTOR;CARBON;1Kohm3;5%;0W063;SMD603	[K450FX:3: {2.0}(R128,R135)]	*NOT available in DP
9	3.0000	PC			RESISTOR;CARBON;2Kohm2;5%;0W063;SMD603	[38100: {1.0}(R7)]	*NOT available in DP
10	1.0000	PC			RESISTOR;CARBON;3Kohm6;5%;0W063;SMD603	[K450FX:1: {1.0}(R49)]	*NOT available in DP
11	3.0000	PC			RESISTOR;CARBON;3Kohm9;5%;0W063;SMD603	[K450FX:1: {3.0}(R66,R68,R70)]	*NOT available in DP
12	2.0000	PC			RESISTOR;CARBON;4Kohm7;5%;0W063;SMD603	[K450FX:1: {2.0}(R93,R102)]	*NOT available in DP
13	15.0000	PC			RESISTOR;CARBON;5Kohm1;5%;0W063;SMD603	[K450FX:1: {15.0}(R17,R19-R24,R30-R31,R42-R46,R48)]	*NOT available in DP
14	3.0000	PC			RESISTOR;CARBON;6Kohm8;5%;0W063;SMD603	[38100: {1.0}(R8)]	*NOT available in DP
15	15.0000	PC			RESISTOR;CARBON;10Kohm;5%;0W063;SMD603	[K450FX:1: {11.0}(R25-R29,R33,R37-R38,R47,R1,R92)]	*NOT available in DP
16	2.0000	PC			RESISTOR;CARBON;15Kohm;5%;0W063;SMD603	[38100: {1.0}(R11)]	*NOT available in DP
17	4.0000	PC			RESISTOR;CARBON;20Kohm;5%;0W063;SMD603	[K450FX:1: {3.0}(R89,R104,R118)]	*NOT available in DP
18	4.0000	PC			RESISTOR;CARBON;22Kohm;5%;0W063;SMD603	[K450FX:1: {4.0}(R35,R63,R84,R101)]	*NOT available in DP
19	1.0000	PC			RESISTOR;CARBON;27Kohm;5%;0W063;SMD603	[38100: {1.0}(R6)]	*NOT available in DP
20	2.0000	PC			RESISTOR;CARBON;30Kohm;5%;0W063;SMD603	[K450FX:1: {2.0}(R86,R91)]	*NOT available in DP
21	5.0000	PC			RESISTOR;CARBON;36Kohm;5%;0W063;SMD603	[K450FX:1: {5.0}(R11,R32,R65,R67,R69)]	*NOT available in DP
22	1.0000	PC			RESISTOR;CARBON;39Kohm;5%;0W063;SMD603	[K450FX:1: {1.0}(R103)]	*NOT available in DP
23	1.0000	PC			RESISTOR;CARBON;47Kohm;5%;0W063;SMD603	[K450FX:1: {1.0}(R34)]	*NOT available in DP
24	7.0000	PC			RESISTOR;CARBON;100Kohm;5%;0W063;SMD603	[38100: {1.0}(R4)]	*NOT available in DP
25	2.0000	PC			RESISTOR;CARBON;1Mohm;5%;0W063;SMD603	[K450FX:1: {2.0}(R53-R54)]	*NOT available in DP
26	2.0000	PC			RESISTOR;METAL;1Kohm;1%;0W063;SMD603	[K450FX:1: {2.0}(R62,R113)]	*NOT available in DP
27	1.0000	PC			RESISTOR;METAL;1Kohm24;1%;0W063;SMD603	[K450FX:1: {1.0}(R59)]	*NOT available in DP
28	1.0000	PC			RESISTOR;METAL;2Kohm;1%;0W063;SMD603	[K450FX:1: {1.0}(R56)]	*NOT available in DP
29	1.0000	PC			RESISTOR;METAL;3Kohm74;1%;0W063;SMD603	[K450FX:1: {1.0}(R81)]	*NOT available in DP
30	5.0000	PC			RESISTOR;METAL;4Kohm42;1%;0W063;SMD603	[K450FX:1: {5.0}(R75,R105-R106,R108,R110)]	*NOT available in DP
31	1.0000	PC			RESISTOR;METAL;5Kohm11;1%;0W063;SMD603	[K450FX:1: {1.0}(R78)]	*NOT available in DP
32	1.0000	PC			RESISTOR;METAL;8Kohm06;1%;0W063;SMD603	[K450FX:1: {1.0}(R61)]	*NOT available in DP
33	2.0000	PC			RESISTOR;METAL;10Kohm;1%;0W063;SMD603	[K450FX:1: {2.0}(R58,R112)]	*NOT available in DP
34	4.0000	PC			RESISTOR;METAL;13Kohm3;1%;0W063;SMD603	[K450FX:1: {4.0}(R14-R16,R36)]	*NOT available in DP
35	2.0000	PC			RESISTOR;METAL;16Kohm5;1%;0W063;SMD603	[K450FX:1: {2.0}(R57,R109)]	*NOT available in DP
36	1.0000	PC			RESISTOR;METAL;20Kohm;1%;0W063;SMD603	[K450FX:1: {1.0}(R80)]	*NOT available in DP
37	1.0000	PC			RESISTOR;METAL;31Kohm6;1%;0W063;SMD603	[K450FX:1: {1.0}(R60)]	*NOT available in DP
38	1.0000	PC			RESISTOR;METAL;33Kohm2;1%;0W063;SMD603	[K450FX:1: {1.0}(R76)]	*NOT available in DP
39	1.0000	PC			RESISTOR;METAL;40Kohm2;1%;0W063;SMD603	[K450FX:1: {1.0}(R77)]	*NOT available in DP
40	1.0000	PC			RESISTOR;METAL;63Kohm4;1%;0W063;SMD603	[K450FX:1: {1.0}(R107)]	*NOT available in DP
41	1.0000	PC			RESISTOR;METAL;80Kohm60;1%;0W063;SMD603	[K450FX:1: {1.0}(R79)]	*NOT available in DP
42	1.0000	PC			RESISTOR;CARBON;2ohm2;5%;0W1;SMD805	[K450FX:1: {1.0}(R40)]	*NOT available in DP
43	2.0000	PC			RESISTOR;CARBON;5ohm1;5%;0W1;SMD805	[K450FX:1: {2.0}(R41,R111)]	*NOT available in DP
44	1.0000	PC			RESISTOR;CARBON;10ohm;5%;0W1;SMD805	[K450FX:3: {1.0}(R137)]	*NOT available in DP
45	4.0000	PC			RESISTOR;CARBON;120ohm;5%;0W1;SMD805	[K450FX:3: {4.0}(R119-R121,R129)]	*NOT available in DP

	Quantity	Unit	S.Sku	M.Sku	Description	Reference Designators	Notes
46	1.0000	PC			RESISTOR;CARBON;330ohm;5%;0W1;SMD805	[38100: {1.0}(R9)]	*NOT available in DP
47	1.0000	PC			RESISTOR;CARBON;1Kohm;5%;0W1;SMD805	[K450FX:1: {1.0}(R39)]	*NOT available in DP
48	1.0000	PC			RESISTOR;CARBON;51Kohm;5%;0W1;SMD805	[38100: {1.0}(R10)]	*NOT available in DP
49	1.0000	PC	Y04-01171-45578	I04-01171-45578	THERMISTOR;PTC;1ohm17;7mm6 x 13mm7 x 3mm	[X-OVER:00: {1.0}(R1)]	
50	4.0000	PC			RESISTOR;CARBON;22ohm;5%;0W25;LEAD WIRE;HORIZONTAL 26-6mm	[K450FX:1: {2.0}(R6-R7)]	*NOT available in DP
51	1.0000	PC			RESISTOR;CARBON;20Kohm;5%;0W25;LEAD WIRE;HORIZONTAL 26-6mm	[P0382:03: {1.0}(R10)]	*NOT available in DP
52	2.0000	PC			RESISTOR;METAL;150ohm;1%;0W25;LEAD WIRE;HORIZONTAL 26-6mm	[P0382:01: {2.0}(R2-R3)]	*NOT available in DP
53	2.0000	PC			RESISTOR;METAL;1Kohm82;1%;0W25;LEAD WIRE;HORIZONTAL 26-6mm	[P0382:03: {2.0}(R8-R9)]	*NOT available in DP
54	2.0000	PC			RESISTOR;CARBON;390ohm;5%;0W5;LEAD WIRE	[38100: {1.0}(R2)]	*NOT available in DP
55	1.0000	PC			RESISTOR;CARBON;390ohm;5%;1W;LEAD WIRE	[K450FX:1: {1.0}(R1)]	*NOT available in DP
56	1.0000	PC			RESISTOR;CEMENT;1Kohm;5%;2W;LEAD WIRE;RADIAL;PITCH:5mm;PRECUT:3mm1+/-0mm5	[38100: {1.0}(R1)]	*NOT available in DP
57	2.0000	PC			RESISTOR;METAL OXIDE;56ohm;5%;3W;LEAD WIRE;AXIAL;L:17mm;SIZE:17x6mm	[38100: {2.0}(R12-R13)]	*NOT available in DP

Fader

	Quantity	Unit	S.Sku	M.Sku	Description	Reference Designators	Notes
1	5.0000	PC	Y00-32951-30317	I00-92951-02420	FADER;100kohm;TAPER;W;STEREO;W/CC;(POLYSHINE F-2092E+C-R-B100K1-L9.5(J));RED LED	[K450FX:1: {5.0}(VR5-VR9)]	

Potentiometer

	Quantity	Unit	S.Sku	M.Sku	Description	Reference Designators	Notes
1	8.0000	PC		I03-00000-91688	POTENTIOMETER;50 kohm;0.050W;TAPER;W;12 %;MONO;SHAFT:30MM;W/O CC;HHTORQUE 40-100GF;SOUNDWELL	[K450FX:1: {8.0}(VR1-VR4,VR10-VR13)]	

Encoder

	Quantity	Unit	S.Sku	M.Sku	Description	Reference Designators	Notes
1	1.0000	PC	Y32-32430-24605	I32-92430-02704	ENCODER;12mm;DETENTS:24;PULSES:24;30mm;W/SWITCH;NO NUT/WASHER;(POLYSHINE F-12E55H24B-P+C L30FX12(O))	[K450FX:1: {1.0}(SW1)]	

Speaker Part

	Quantity	Unit	S.Sku	M.Sku	Description	Reference Designators	Notes
1	1.0000	PC	X71-60250-48914	H71-60250-48914	TWEETER;P0888;1 in;80 W;8 ohm;25T80A8		
2	1.0000	PC	X77-60120-52064	H77-60120-52064	WOOFER;12W600A4;EUROLIVE;DIA:12in;4ohm;600W;(ZEE BWF30804049A)		
3	1.0000	G		H79-00000-82481	DOME;25T80A8;ASSY		
4	1.0000	PC	X79-00100-02653	H79-00100-02653	GASKET;GA305P6_5A;MATERIAL:BLACK PAPER;OUTER DIAMETER:305mm;THICKNESS:6mm5;DST.NO:001;DPT.NO:02653;(LS-GA305P6_5A-REVA.DWG)		
5	1.0000	PC	X79-00100-03404	H79-00100-03404	MAGNET;MG120FE29A;MATERIAL:Y30;F120mm*F60mm*20H;DST.N O:001;DPT.NO:03404;(LS-MG120FE29A-REVA.DWG)		
6	1.0000	PC		H79-00100-05108	MAGNET;MG80FE8_7A;MATERIAL:Y25;80x32x12;DST.NO:001;DPT.N O:05108;(LS-MG80FE8_7A-REVA.DWG)		
7	1.0000	PC		H79-00100-05112	TWEETER DOME;LS-TD43_6C6_6A;MATERIAL: 0mm02;DIAMETER:43mm6;6mm6H;DST.NO:001;DPT.NO:05112;(LS-TD43_6C6_6A-REVA.DWG)		
8	1.0000	PC		H79-00100-05113	VOICE COIL;VC25_5K6_3A;BOBBIN MATERIAL:KSV;DIAMETER:25mm5;5.2H;DC RESISTANCE:6ohm3;BARE WIRE DIA:0mm1;DST.NO:001;DPT.NO:05113;(LS-VC25_5K6_3A-REVA.DWG)		
9	1.0000	PC		H79-00100-07080	VOICE COIL;VC50_5A3_2B;BOBBIN MATERIAL:KAPTON;EISV;DIAMETER:50mm5;38H;DC RESISTANCE:3ohm2;BARE WIRE DIA:0mm32;WINDING HEIGHT:11mm1;3 LAYERS;DST.NO:001;DPT.NO:07080;(LS-VC50_5A3_2B-REVA.DWG)		
10	1.0000	PC		H79-00100-07904	CONE;CP300P70B;MATERIAL:PAPER;12in CLOTH EDGE;CENTRE HOLE DIAMETER:XXmm;HEIGHT:XXmm;DST.NO:001;DPT.NO:07904;(LS-CP300P70B-REVA.DWG)		
11	1.0000	PC		H79-00100-07970	GASKET;GA44EVA0_5A;MATERIAL:EVA;DIAMETER:44mm;DST.NO:00 1;DPT.NO:07970;(LS-GA44EVA0_5A-REVA.DWG)		
12	1.0000	PC		H79-00100-08712	DUST CAP;DC108P02C;MATERIAL:BLACK PAPER;OUTER DIAMETER:108mm;HEIGHT:19mm;DST.NO:001;DPT.NO:08712;(LS-DC108P02C-REVA.DWG)		
13	1.0000	PC		H79-00200-08028	DAMPER;MATERIAL:CONEX;OUTSIDE DIAMETER:158mm;13mm HIGH;0.6mm/50g;DST.NO:002;DPT.NO:08028;(LS-DP158CX01C-REVB.DWG)		

Switch

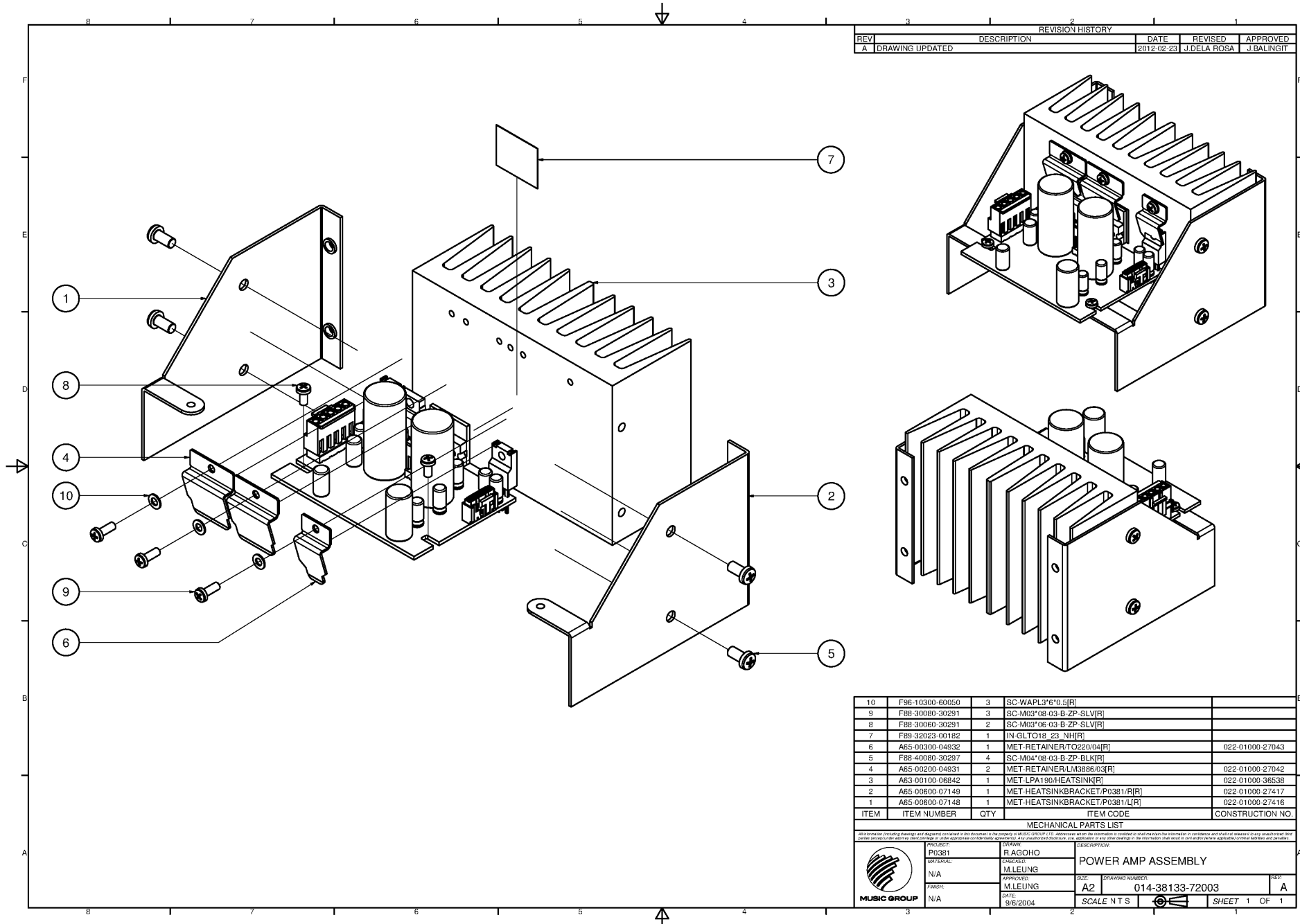
	Quantity	Unit	S.Sku	M.Sku	Description	Reference Designators	Notes
1	1.0000	PC	Y77-03422-02778	I77-03422-02778	SWITCH;RADIAL;2P2T;PCB VERSION;LOCKING;NONSHORT;RAD2P	[K450FX:1: {1.0}{SW2}]	
2	1.0000	PC	Y84-02211-00140	I84-02211-00140	SWITCH;ROCKER;1P1T;WHITE LINE MARKING RADIAL;LOCKING;NONSHORT;APPROVAL: UL94V0;(SOLTEAM MR22-FBBB-F2		

Transistor

	Quantity	Unit	S.Sku	M.Sku	Description	Reference Designators	Notes
1	7.0000	PC			TRANSISTOR;BC846B;SOT;SMD	[K450FX:1: {7.0}{T3-T9}]	*NOT available in DP
2	1.0000	PC			TRANSISTOR;BC856B;SOT;SMD	[K450FX:1: {1.0}{T10}]	*NOT available in DP
3	1.0000	PC			TRANSISTOR;MPSA56;TO92;TAPING	[K450FX:1: {1.0}{T2}]	*NOT available in DP
4	1.0000	PC			TRANSISTOR;J113;TO92	[K450FX:1: {1.0}{T1}]	*NOT available in DP

Cover

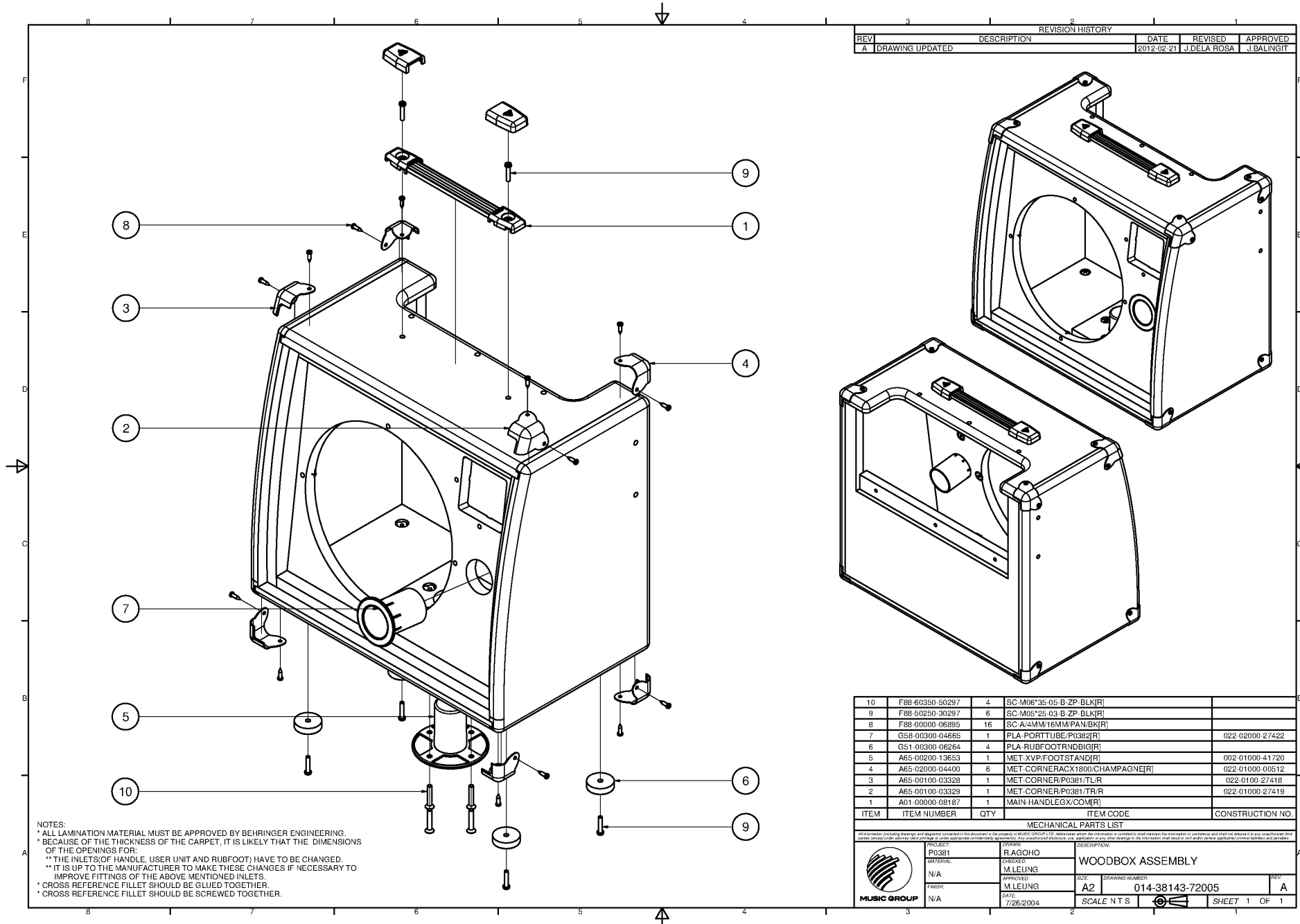
	Quantity	Unit	S.Sku	M.Sku	Description	Reference Designators	Notes
1	1.0000	M2		J11-80020-39927	CARPET;FELTED;QUALITY:W151;WIDTH:2000mm;COLOR:AGLEAM BLACK		



REVISION HISTORY				
REV	DESCRIPTION	DATE	REVISED	APPROVED
A	DRAWING UPDATED	2012-02-23	J.DE LA ROSA	J.BALINGIT

ITEM	ITEM NUMBER	QTY	ITEM CODE	CONSTRUCTION NO.
10	F96-10300-60050	3	SC-WAPL3*6*0.5[R]	
9	F88-30080-30291	3	SC-M03*08-03-B-ZP-SLV[R]	
8	F88-30060-30291	2	SC-M03*06-03-B-ZP-SLV[R]	
7	F89-32023-00182	1	IN-GLTO18 23 NH[R]	
6	A65-00300-04932	1	MET-RETAINER/TO220/04[R]	022-01000-27043
5	F88-40080-30297	4	SC-M04*08-03-B-ZP-BLK[R]	
4	A65-00200-04931	2	MET-RETAINER/LM3886.03[R]	022-01000-27042
3	A63-00100-06842	1	MET-LPA180/HEATSINK[R]	022-01000-36538
2	A65-00600-07149	1	MET-HEATSINKBRACKET/P0381/R[R]	022-01000-27417
1	A65-00600-07148	1	MET-HEATSINKBRACKET/P0381/L[R]	022-01000-27416

MECHANICAL PARTS LIST			
PROJECT:	P0381	DESIGNER:	R.AGOHO
DRAWN:	M.LEUNG	CHECKED:	M.LEUNG
APPROVED:	M.LEUNG	DATE:	9/6/2004
FINISH:	N/A	SCALE:	A2
DRAWING NUMBER:		014-38133-72003	
SHEET 1 OF 1		SCALE N T S	



REVISION HISTORY				
REV	DESCRIPTION	DATE	REVISED	APPROVED
A	DRAWING UPDATED	2012-02-21	J.DE LA ROSA	J.BALINGIT

ITEM	ITEM NUMBER	QTY	ITEM CODE	CONSTRUCTION NO.
10	F88-60350-50297	4	SC-M06*35-05 B ZP BLK[R]	
9	F88-50250-30297	6	SC-M05*25-03 B ZP BLK[R]	
8	F88-00000-06895	16	SC-A/4MM/16MM/PAN/BK[R]	
7	G58-00300-04665	1	PLA-PORTTUBE/P0382[R]	022-02000-27422
6	G51-00300-06264	4	PLA-RUBFOOTRND[BIG[R]	
5	A65-00200-13653	1	MET-XVP/FOOTSTAND[R]	002-01000-41720
4	A65-02000-04400	6	MET-CORNERACX1800/CHAMPAGNE[R]	022-01000-00512
3	A65-00100-03328	1	MET-CORNER/P0381/TLR	022-0100-27418
2	A65-00100-03329	1	MET-CORNER/P0381/TR/R	022-01000-27419
1	A01-00000-08187	1	MAIN-HANDLEGX/COM[R]	

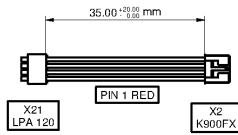
NOTES:
 * ALL LAMINATION MATERIAL MUST BE APPROVED BY BEHRINGER ENGINEERING.
 * BECAUSE OF THE THICKNESS OF THE CARPET, IT IS LIKELY THAT THE DIMENSIONS OF THE OPENINGS FOR:
 ** THE INLETS (OF HANDLE, USER UNIT AND RUBFOOT) HAVE TO BE CHANGED.
 ** IT IS UP TO THE MANUFACTURER TO MAKE THESE CHANGES IF NECESSARY TO IMPROVE FITTINGS OF THE ABOVE MENTIONED INLETS.
 * CROSS REFERENCE FILLET SHOULD BE GLUED TOGETHER.
 * CROSS REFERENCE FILLET SHOULD BE SCREWED TOGETHER.

MECHANICAL PARTS LIST			
PROJECT: P0381	DRAWN: R.AGOHO	DESCRIPTION: WOODBOX ASSEMBLY	
CHECKED: M.LEUNG	APPROVED: M.LEUNG	SIZE: A2	DRAWING NUMBER: 014-38143-72005
DATE: 7/26/2004	SCALE: N T S	SHEET: 1	OF: 1

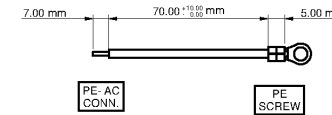
REVISION HISTORY				
REV	MEI	DESCRIPTION	DATE	APPROVED
E	MEI.09.00218	CHANGE CONNECTORS	2009-03-30	J.HONRADO



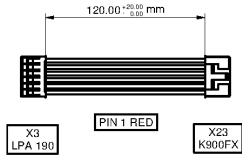
BEH Part No.: A81-03530-46542
X-P1018-04/035/A2006H-04/26/98[R]
Usage: @1
Cable: 4 pol; AWG 26



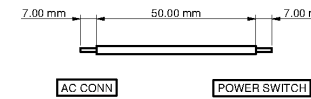
BEH Part No.: A77-07027-20208
WI-00/07/0070/0705/00/18/34/00[R]
Usage: @1
Cable: UL1015; AWG 18; YE/G



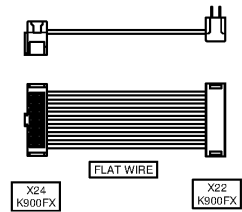
BEH Part No.: A81-12030-66522
X-2A2006H-06/120/26/98/S
Usage: @1
Cable: 6 pol; AWG 26
Pin 5 shielded
Pin 6 connected to shield



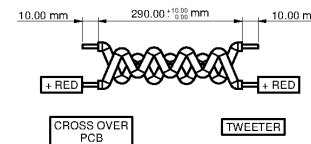
BEH Part No.: A81-05037-00201
WI-00/07/0050/0705/00/18/34/00[R]
Usage: @1
Cable: UL1672; AWG 18
BLACK



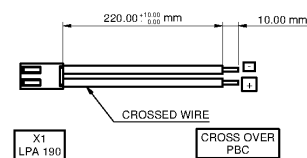
BEH Part No.: A74-00050-15714
X-FC3-14P/150/FD/14P
Usage: @1
Cable: 14 pol
FLAT WIRE GREY



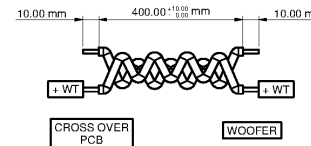
BEH Part No.: A77-29010-00210
X-02/00/10/0290/00/10/01/18/34/92/R
Usage: @1
Cable: ST. WIRE; AWG 18; UL1007
DRILLED; BL/RD



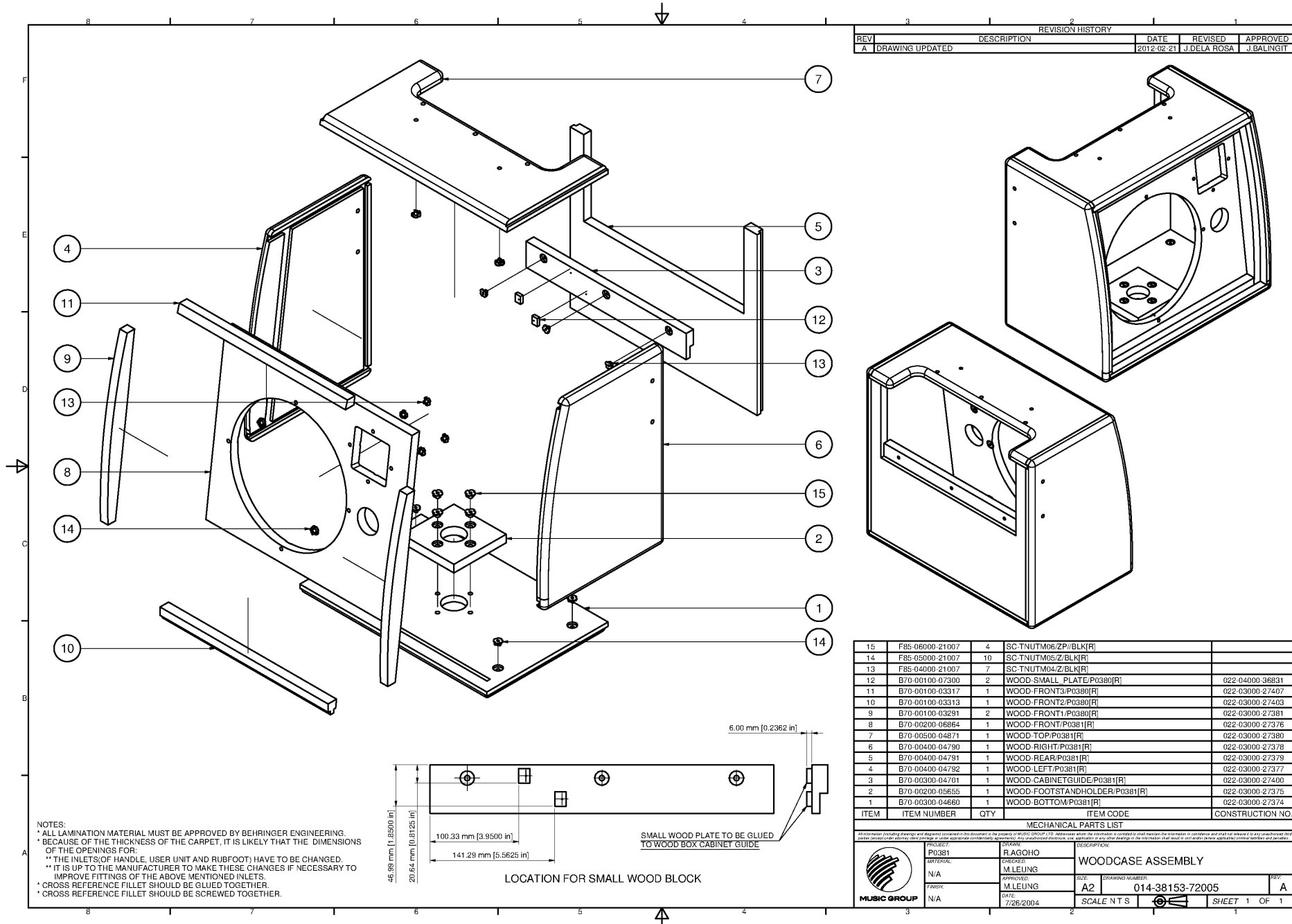
BEH Part No.: A77-22011-00210
X-1JS1121-02/0220/00/10/01/18/34/97[R]
Usage: @1
Cable: 6 pol; AWG 26
Pin 5 shielded
Pin 6 connected to shield



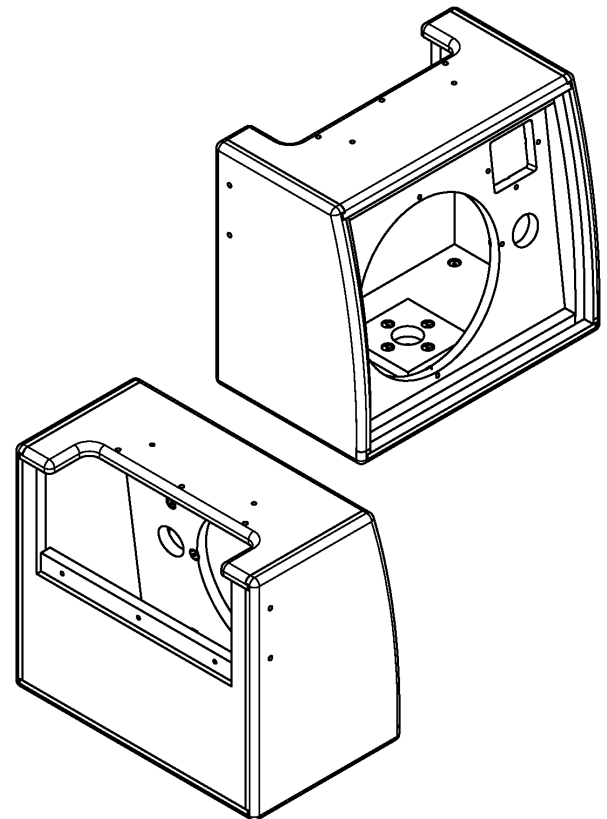
BEH Part No.: A77-40010-00204
X-02/00/10/0400/00/10/01/18/34/99/R
Usage: @1
Cable: ST. WIRE; AWG 18; UL1007
DRILLED; WT/RD



PROJECT / MODULE: P0381	COMMENTS:		BEHRINGER	
	DRAWN: J.HONRADO		DATE: 2009-03-30	All information (including drawings and designs) contained in this document is the property of BEHRINGER. Addresses whom the information is provided to shall maintain the information in confidence and shall not release it to any unauthorized third parties. (except under license, consent or usage or under appropriate confidentiality agreements). Any unauthorized disclosure, use, distribution or any other change in the information shall result in action and/or process applicable to contract, license and/or purchase order.
CHECKED: J.ADOPTANTE		DATE: 2009-03-30	FILENAME / REVISION P0381-CABLE-REVE.idw	
APPROVED: R.AGOHO		DATE: 2009-03-30	SIZE A2	CONSTRUCTION / DRAWING NUMBER: 014-38103-61405
SCALE 1:1		SHEET 1 OF 1		



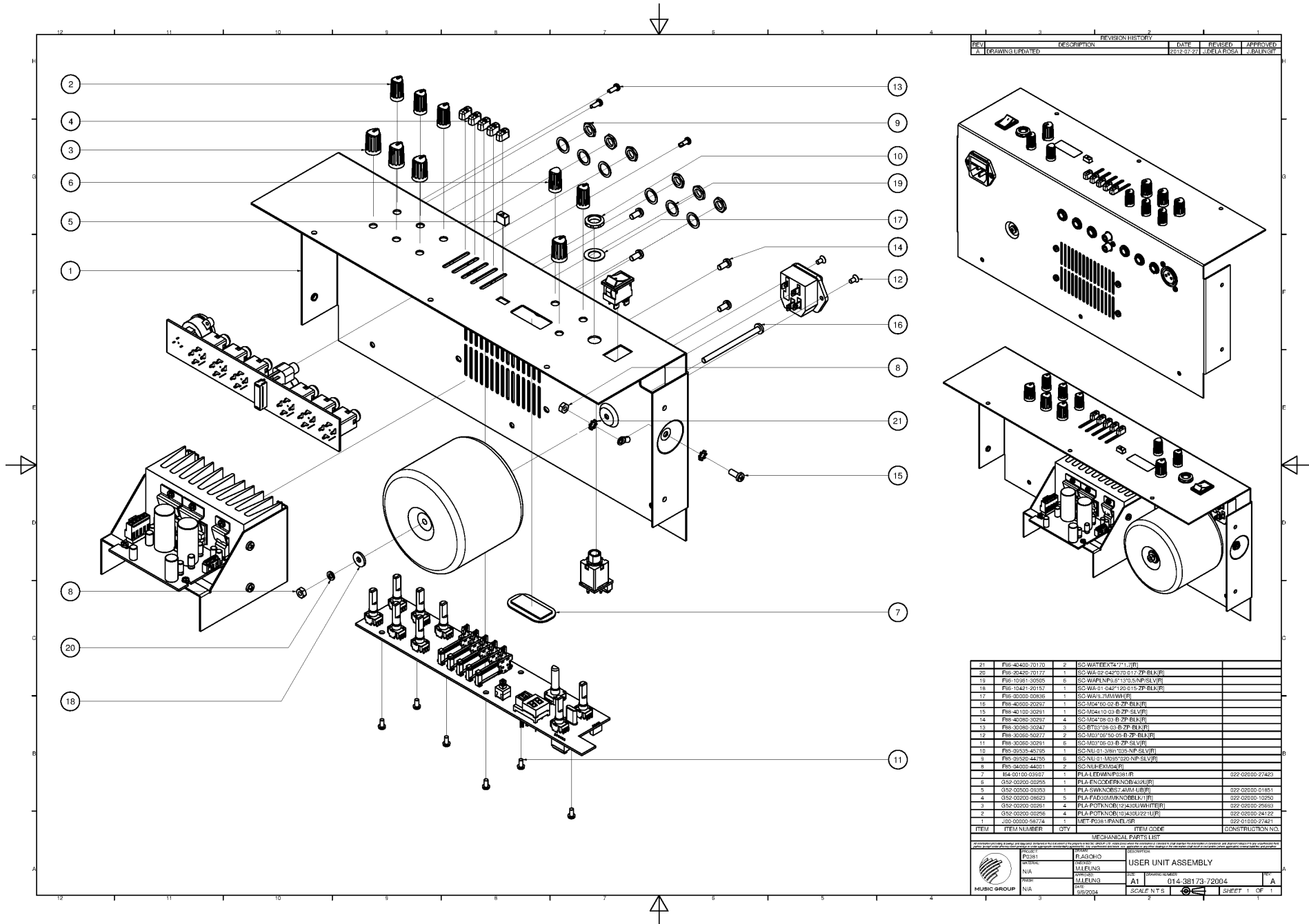
REVISION HISTORY				
REV	DESCRIPTION	DATE	REVISED	APPROVED
A	DRAWING UPDATED	2012-02-21	J.DE LA ROSA	J.BALINGIT



ITEM	ITEM NUMBER	QTY	ITEM CODE	CONSTRUCTION NO.
15	F85-06000-21007	4	SC-TNUTM06/ZP/BLK[R]	
14	F85-05000-21007	10	SC-TNUTM05/Z/BLK[R]	
13	F85-04000-21007	7	SC-TNUTM04/Z/BLK[R]	
12	B70-00100-07300	2	WOOD-SMALL_PLATE/P0380[R]	022-04000-36831
11	B70-00100-03317	1	WOOD-FRONT3/P0380[R]	022-03000-27407
10	B70-00100-03313	1	WOOD-FRONT2/P0380[R]	022-03000-27403
9	B70-00100-03291	2	WOOD-FRONT1/P0380[R]	022-03000-27381
8	B70-00200-06864	1	WOOD-FRONT/P0381[R]	022-03000-27376
7	B70-00500-04871	1	WOOD-TOP/P0381[R]	022-03000-27380
6	B70-00400-04790	1	WOOD-RIGHT/P0381[R]	022-03000-27378
5	B70-00400-04791	1	WOOD-REAR/P0381[R]	022-03000-27379
4	B70-00400-04792	1	WOOD-LEFT/P0381[R]	022-03000-27377
3	B70-00300-04701	1	WOOD-CABINETGUIDE/P0381[R]	022-03000-27400
2	B70-00200-05655	1	WOOD-FOOTSTANDHOLDER/P0381[R]	022-03000-27375
1	B70-00300-04660	1	WOOD-BOTTOM/P0381[R]	022-03000-27374

MECHANICAL PARTS LIST			
PROJECT: P0381		DRAWN: R.AGUIHO	
DATE: N/A		CHECKED: M.LEUNG	
APPROVED: M.LEUNG		DESCRIPTION: WOODCASE ASSEMBLY	
DATE: 7/26/2004		SCALE: A2	
DRAWING NUMBER: 014-38153-72005		SHEET 1 OF 1	

NOTES:
 * ALL LAMINATION MATERIAL MUST BE APPROVED BY BEHRINGER ENGINEERING.
 * BECAUSE OF THE THICKNESS OF THE CARPET, IT IS LIKELY THAT THE DIMENSIONS OF THE OPENINGS FOR:
 ** THE INLETS (OF HANDLE, USER UNIT AND RUBFOOT) HAVE TO BE CHANGED.
 *** IT IS UP TO THE MANUFACTURER TO MAKE THESE CHANGES IF NECESSARY TO IMPROVE FITTINGS OF THE ABOVE MENTIONED INLETS.
 * CROSS REFERENCE FILLET SHOULD BE GLUED TOGETHER.
 * CROSS REFERENCE FILLET SHOULD BE SCREWED TOGETHER.



REVISION HISTORY				
REV	DESCRIPTION	DATE	REVISOR	APPROVED
A	TERMINAL UPDATED	2017-07-27	LUDELA ROSA	LUDELA ROSA

21	F88-46405-20110	2	SC-WA1TEB324711(U)	
20	F88-20425-20117	1	SC-WA132 042'070 017 ZP BLK(R)	
19	F88-10981-30505	6	SC-WAFLN P6.6'13'0.5NP(SLV(R)	
18	F88-10421-20157	1	SC-WA31 042'120 015 ZP BLK(R)	
17	F88-30200-02036	1	SC-WA137 020'036	
16	F88-42605-20297	1	SC-M24'60 02 B ZP BLK(R)	
15	F88-40155-20291	1	SC-M24'10 03 B ZP SLV(R)	
14	F88-40040-20297	4	SC-M24'08 03 B ZP BLK(R)	
13	F88-30080-30247	3	SC-RT32'08 03 B ZP BLK(R)	
12	F88-30050-50277	2	SC-M23'05 05 05 B ZP BLK(R)	
11	F88-30050-30251	6	SC-M23'05 03 B ZP SLV(R)	
10	F88-30035-40285	1	SC-N10'01 080'035 NP(SLV(R)	
9	F88-30035-44785	6	SC-N10'01 065'025 NP(SLV(R)	
8	F88-36030-44531	2	SC-N10'HX034(R)	
7	84-40110-03407	1	FLA-LEDWN P6.3H(R)	022-02000-27420
6	G52-00200-00203	1	FLA-EN 020'EN0(B)432(U)	
5	G52-00500-03353	1	FLA-SWL NOB57.4MM LUB(R)	022-02000-01851
4	G52-00200-08623	5	FLA-FAD33MMXNOB(LK / R)	022-02000-10250
3	G52-00200-00251	4	FLA-POTR NOB 10'430(L)WHITER)	022-02000-24122
2	G52-00200-00256	4	FLA-POTR NOB 10'430(L)22(U)	022-02000-24122
1	USD-00000-58774	1	MET-P0381 PANEL GR	022-01000-27421

ITEM	P/E/M NUMBER	QTY	ITEM CODE	CONSTRUCTION NO.
MECHANICAL PARTS LIST				

PROJECT	PLA-010	REVISION	
DESIGNER	MALEUNG	DATE	014-38173-72004
CHECKER	MALEUNG	SCALE	1:1
DATE	09/20/2014	SHEET	1 OF 1



We Hear You