

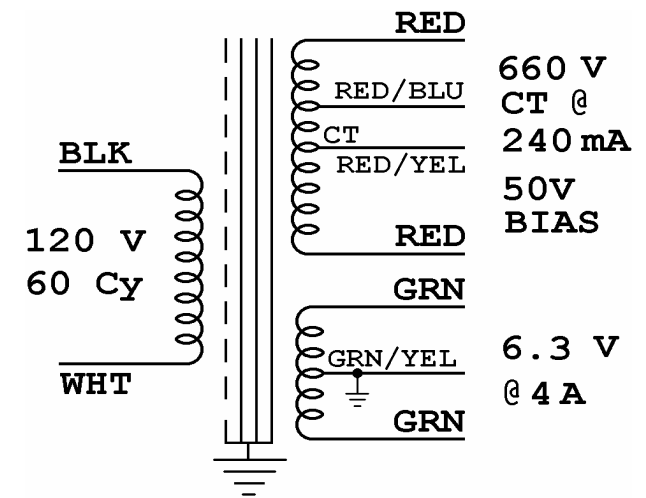
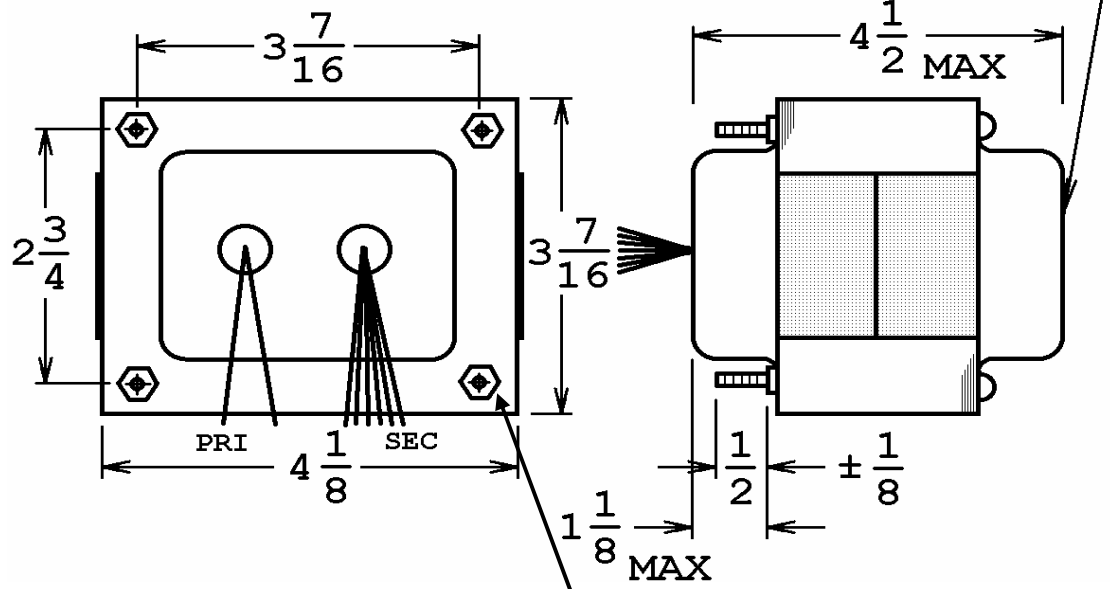
40-18005

This drawing is the property of Magnetic Components, Inc. and shall not be reproduced, in whole or in part, without the written permission of Magnetic Components, Inc.

REVISIONS			
LTR	DESCRIPTION	DATE	APPROVED
B	ADD RED-RED/YEL-RED ACV, RED/BLU-RED/YEL BIAS	04/05/11	M. Sacketti
C	ADD MOUNTING HARDWARE NOTE	10/27/11	M. Sacketti
D	660VCT WAS 420VDC FWCT. 6.3V WAS 3.15A	12/13/12	M. Sacketti
E	ADD CT TO 6.3V WINDING	12/27/12	M. Sacketti
F	ADD FLV CHART	07/05/16	M. Sacketti

**MEASURED B+ VOLTAGES WITH 40µF CAPACITOR**

100mA	150mA	200mA	240mA
460V	451V	444V	439V



RED-RED/YEL-RED = 330V-0-330V AC  
 RED/BLU-RED/YEL = 50V BIAS

NOTE : GRN/YEL LEAD IS INTERNALLY GROUNDED

USE FOUR # 8-32 HEX NUTS (NOT SUPPLIED) FOR CHASSIS MOUNTING. PLEASE DO NOT REMOVE EXISTING HEX NUTS.

FENDER P/N :  
 022814  
 125P7D

UNLESS OTHERWISE SPECIFIED		SIGNATURES		DATE		MAGNETIC COMPONENTS, INC.		DIV :					
ALL DIMENSIONS IN INCHES DO NOT SCALE DRAWING		DRAWN : <i>M. Sacketti</i>		03 AUG 2009		TITLE		LOC : SCHILLER PK					
FRACTIONS +/-		CHECK :				<h1>POWER TRANSFORMER</h1>							
.X = +/-		APPR : <i>M. Sacketti</i>		03 AUG 2009									
.XX = +/-													
.XXX = +/-													
ANGLES = +/-						CAGE	50508	SIZE	A	PART No.	40-18005	REV	F
						SCALE	NONE	SHEET :					