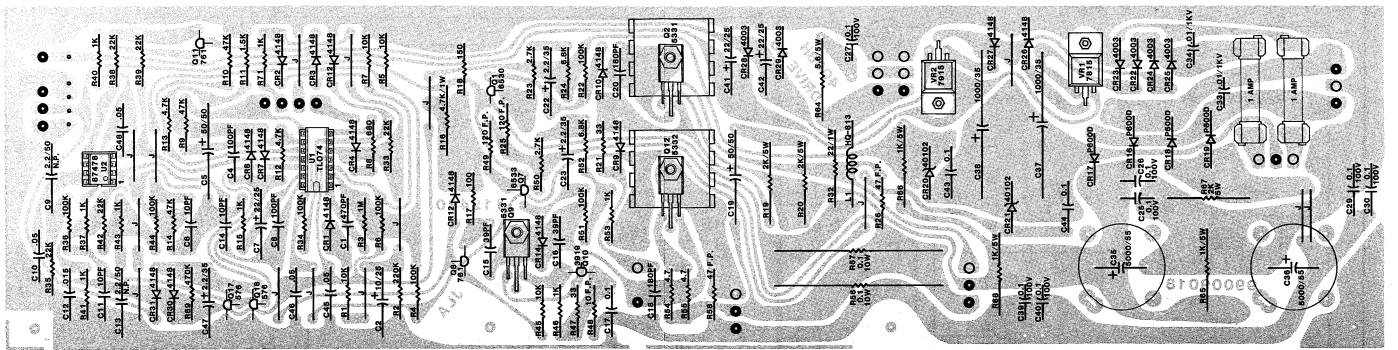


COPYRIGHT 1981 PRINTED IN U.S.A.

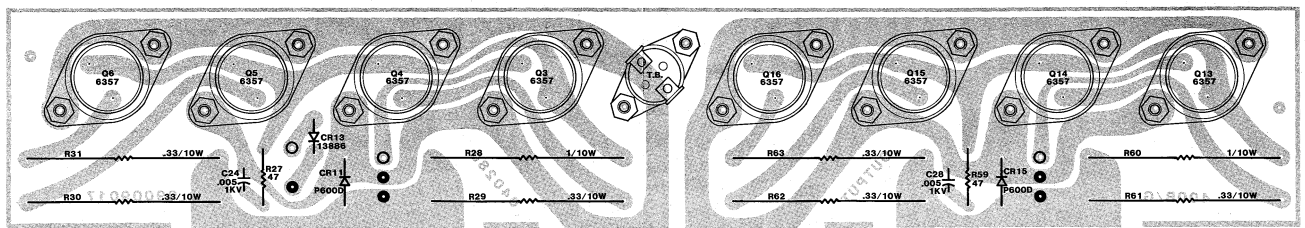
P/N 81608000

NOTES
 ALL RESISTORS 1/4W UNLESS NOTED
 ALL CAPACITORS IN MFD UNLESS NOTED
 ALL DIODES IN HW UNLESS NOTED
 LAST REF. DESIGNATOR USED:
 R99 C48 CR31 Q13 U2 VR2
 VOLTAGES MAY VARY FROM UNIT TO UNIT
 CIRCUITRY PATENTS APPLIED FOR AND PENDING

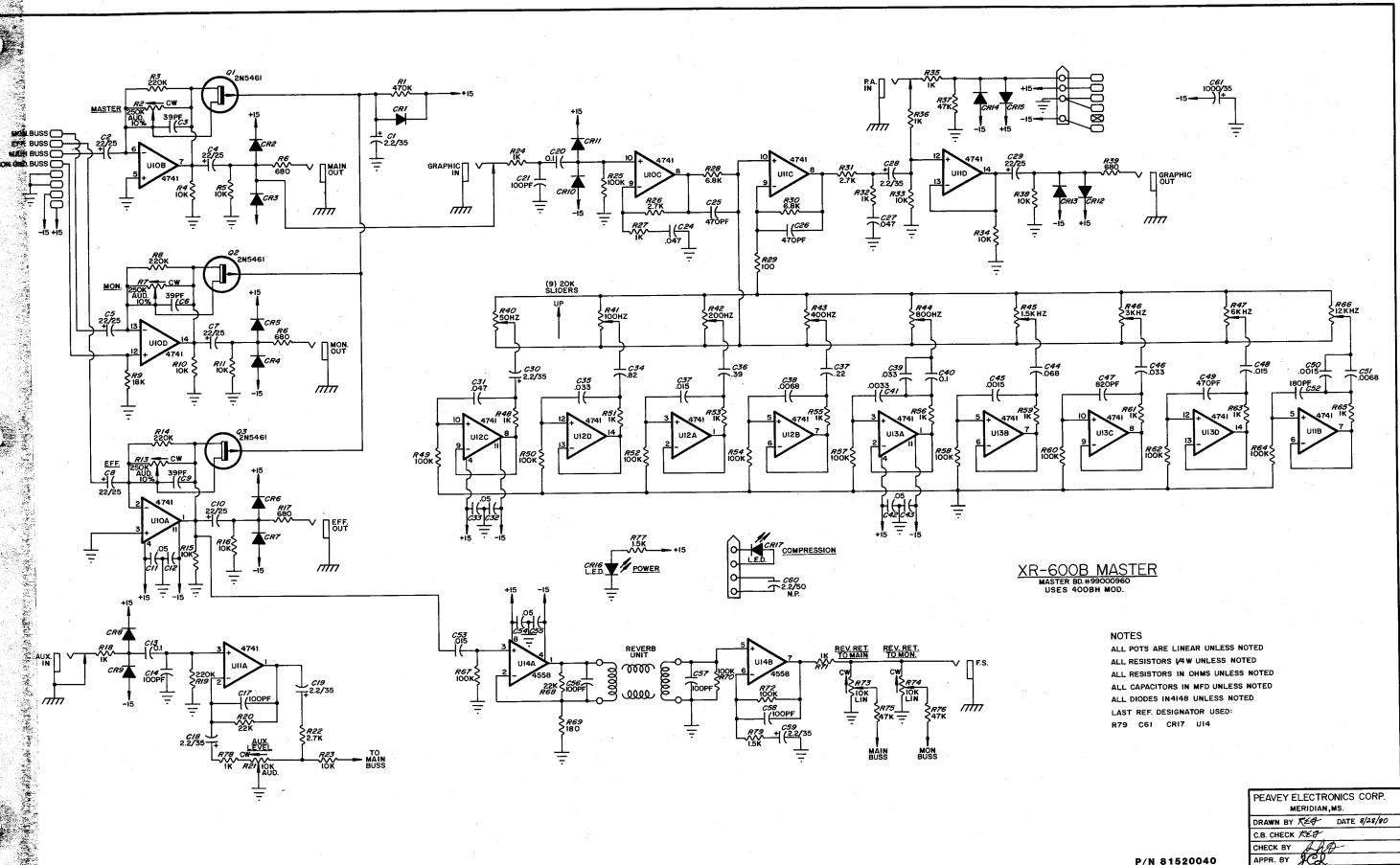
REVISED 2/23/83 *RSC*
 PEAVEY ELECTRONICS CORP.
 MERRIDEN, CT
 DRAWN BY *PKS* DATE 2-16-81
 C.B. CHECK *PKS*
 CHECK BY *AKC*
 APPR. BY *AKC*



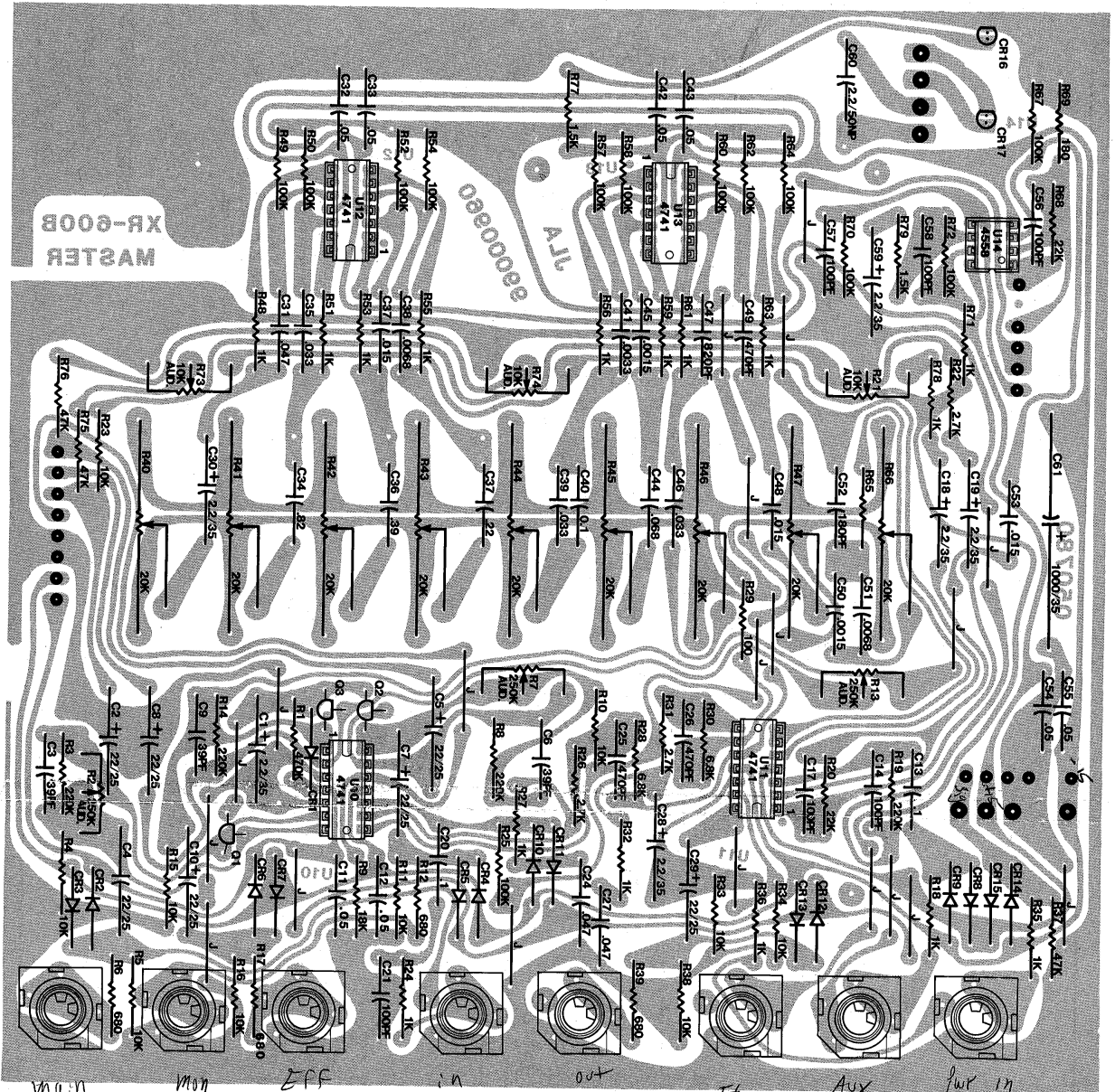
400BH DRIVE BD.



400BH OUTPUT BD.

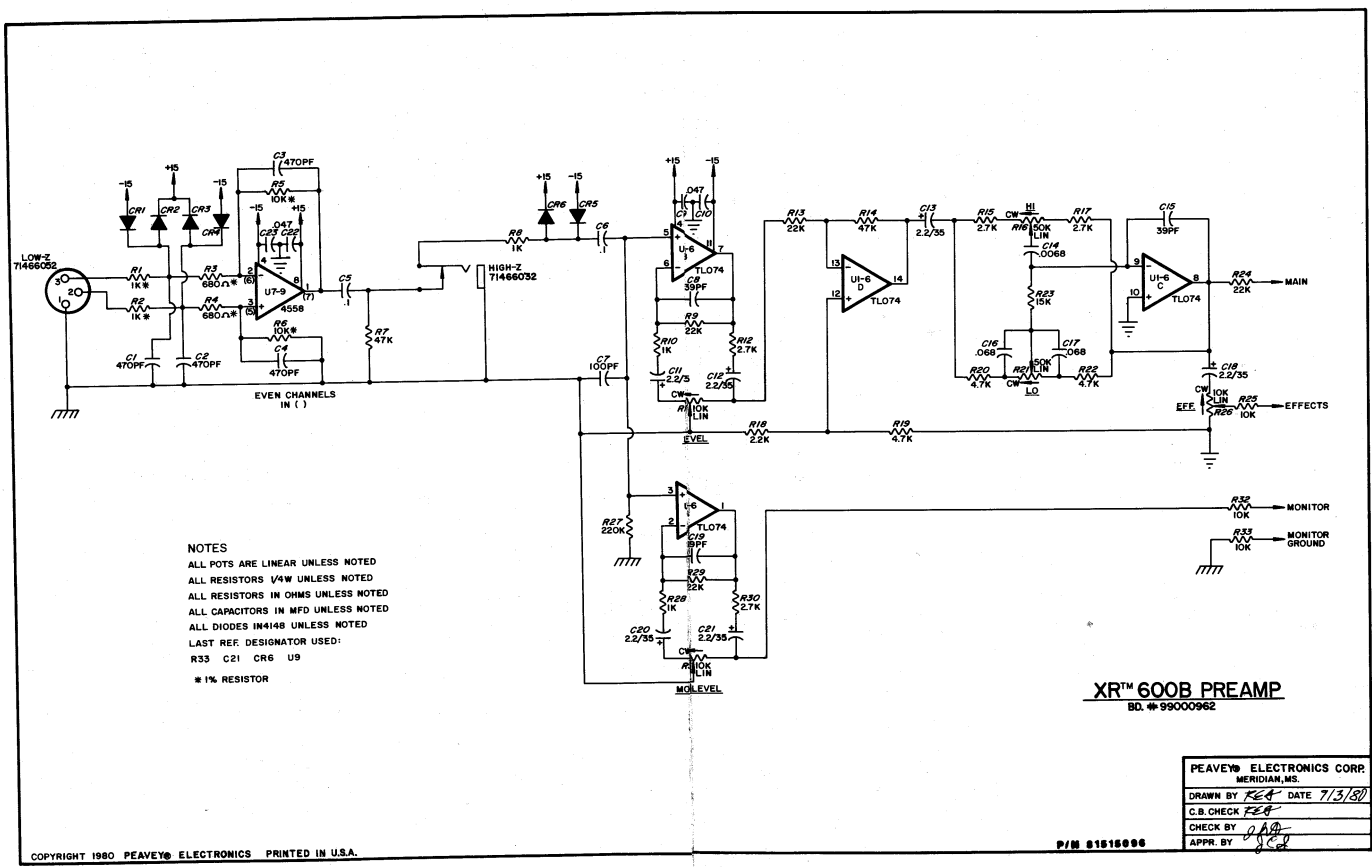


PEAVEY ELECTRONICS CORP.	
MERIDIAN, MS.	
DRAWN BY <i>KEP</i>	DATE <i>6/21/80</i>
C.B. CHECK <i>KEP</i>	
CHECK BY <i>[Signature]</i>	
APPV. BY <i>[Signature]</i>	



MASTER
XR-600B

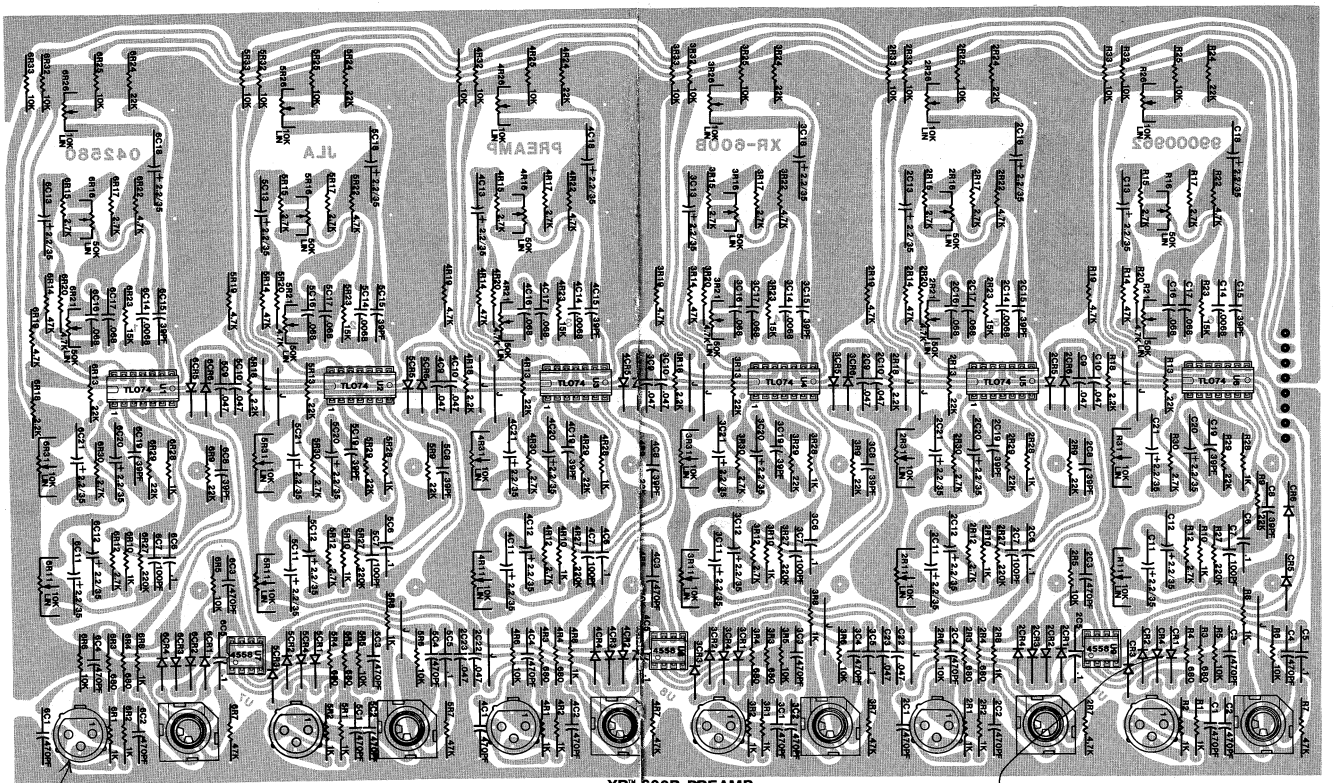
Main Mon Eff in graph. out Ft. Switch Aux Fur 17



NOTES
 ALL POTS ARE LINEAR UNLESS NOTED
 ALL RESISTORS 1/4W UNLESS NOTED
 ALL RESISTORS IN OHMS UNLESS NOTED
 ALL CAPACITORS IN MFD UNLESS NOTED
 ALL DIODES IN4148 UNLESS NOTED
 LAST REF. DESIGNATOR USED:
 R33 C21 CR6 U9
 * 1% RESISTOR

XR™ 600B PREAMP
 BD. #99000962

PEAVEY® ELECTRONICS CORP.	
MERIDIAN, MS.	
DRAWN BY <i>FEB</i>	DATE 7/3/80
C.B. CHECK <i>FEB</i>	
CHECK BY <i>JCB</i>	
APPR. BY <i>JCB</i>	



XR-600B PREAMP

7466052

XR600