

- 0012143-07 BTN99 RND BUTTON CAP (7MM) CONTROL GRAY TOP WHITE BOTTOM
- 0009210-05 BTN9 Long Shaft SM RECTANGLE BUTTON 5x7mm "GUITAR" (SYMBOL)
- 0008793-06 BTN30 SM RECTANGLE BUTTON 5X7mm CONTROL GREY "48V"
- 0008793-03 BTN11 SM RECTANGLE BUTTON 5X7mm CONTROL GREY
- 0008793-03 BTN12
- 0008793-03 BTN13
- 0008793-03 BTN14
- 0008794-06 BTN43 MED RECTANGLE BUTTON 11.5 x 8.5 mm "MUTE" CONTROL GREY
- 0008794-06 BTN50
- 0008794-06 BTN51
- 0008794-06 BTN46
- 0008794-06 BTN47
- 0008794-06 BTN48
- 0008793-09 BTN1 SM RECTANGLE BUTTON 5X7mm CONTROL GREY "LOW CUT" (SYMBOL)
- 0008793-09 BTN2
- 0008793-09 BTN3
- 0008793-09 BTN4
- 0008320-01 S01 STDF SWAGE M3 X 13.8MM 4.7 DIA
- 0008320-01 S02
- 0008320-01 S03
- 0008320-01 S06
- 0008320-01 S07
- 0008320-01 S08
- 0008320-01 S09
- 0008320-01 S010
- 0008320-01 S011
- 0008320-01 S012
- 0008320-01 S013
- 0008320-05 S015 STDF SWAGE M3 X 7MM 4.7 DIA
- 0008320-05 S016
- 0008320-05 S017
- 0032816-04 PCB1 PCB, PROFX8/ MAIN
- 0032817-XX SCH1 SCHEMATIC PCB ASSY PROFX8 MAIN BOARD
- 660-005-00 JMP1 CBL 22GA JUMPER WIRE

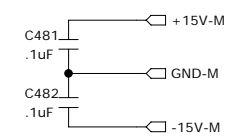
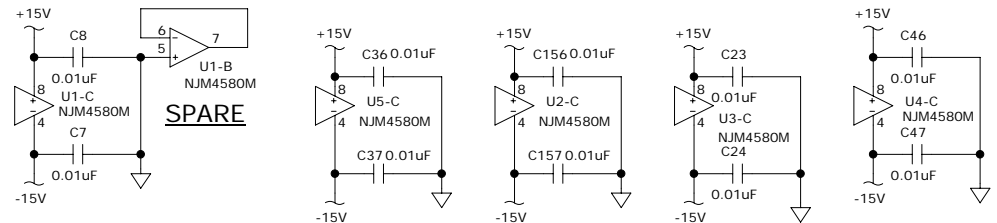
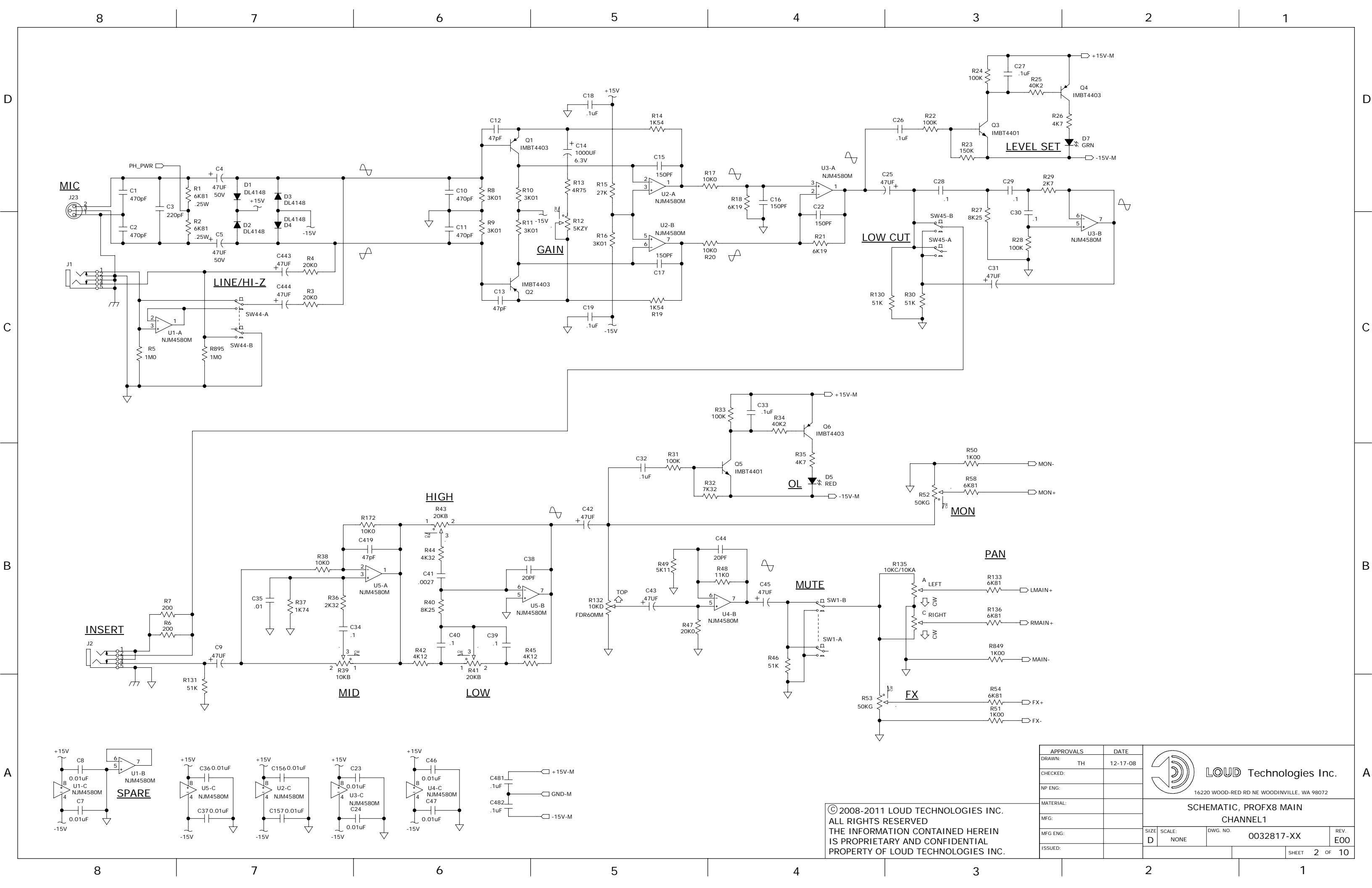
© 2008-2011 LOUD TECHNOLOGIES INC.
 ALL RIGHTS RESERVED
 THE INFORMATION CONTAINED HEREIN
 IS PROPRIETARY AND CONFIDENTIAL
 PROPERTY OF LOUD TECHNOLOGIES INC.

APPROVALS		DATE
DRAWN:	TH	12-17-08
CHECKED:		
NP ENG:		
MATERIAL:		
MFG:		
MFG ENG:		
ISSUED:		

16220 WOOD-RED RD NE WOODINVILLE, WA 98072

SCHMATIC, PROFX8 MAIN INTERCONNECT

SIZE: D	SCALE: NONE	DWG. NO. 0032817-XX	REV. E00
SHEET 1 OF 10			



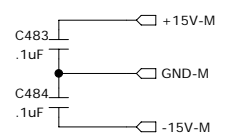
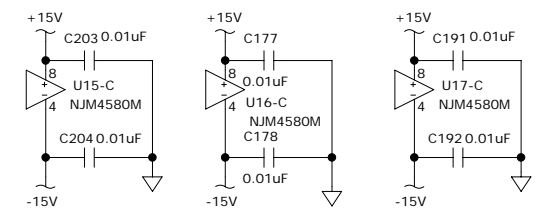
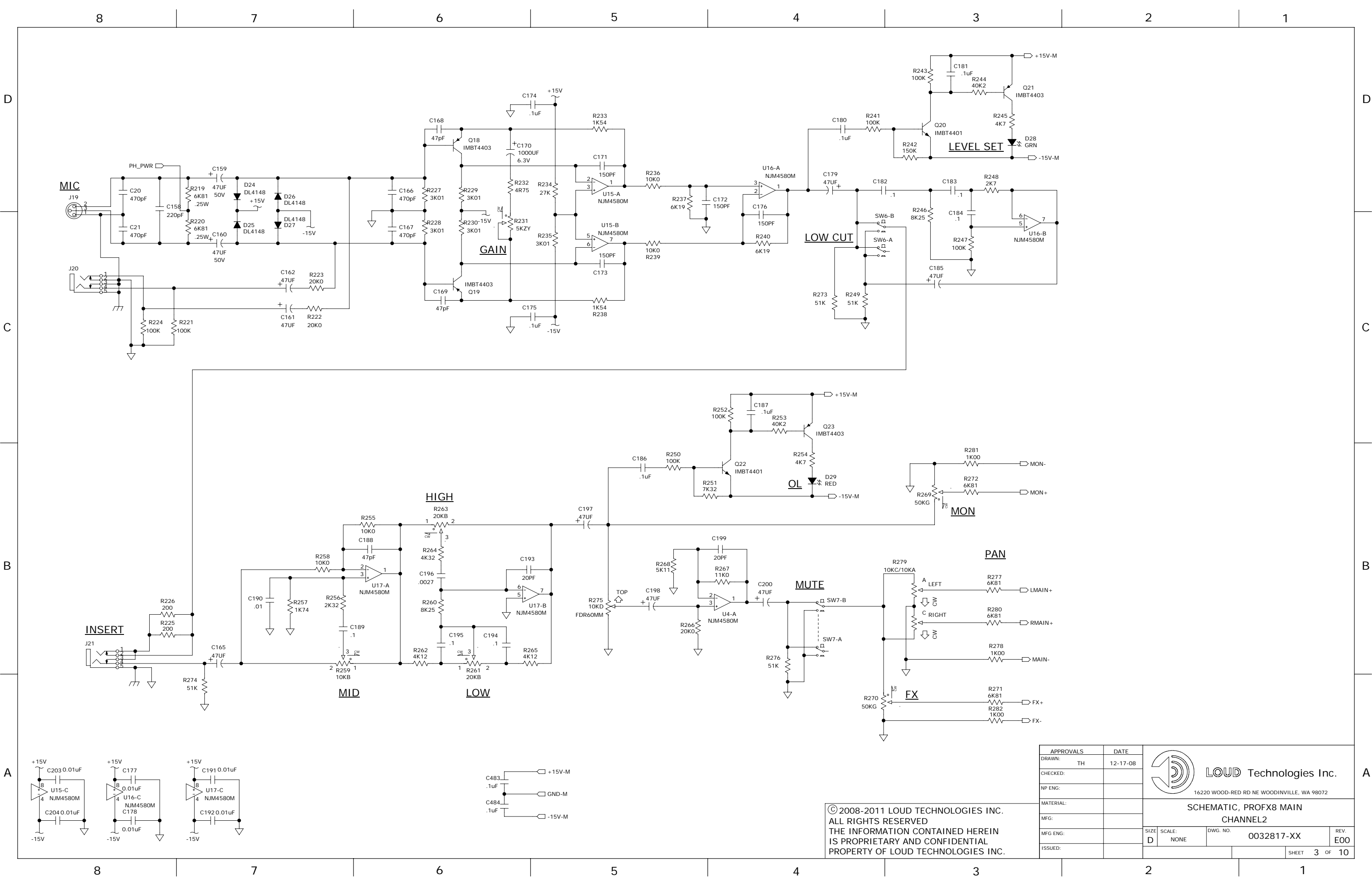
© 2008-2011 LOUD TECHNOLOGIES INC.
 ALL RIGHTS RESERVED
 THE INFORMATION CONTAINED HEREIN
 IS PROPRIETARY AND CONFIDENTIAL
 PROPERTY OF LOUD TECHNOLOGIES INC.

APPROVALS	DATE
DRAWN: TH	12-17-08
CHECKED:	
NP ENG:	
MATERIAL:	
MFG:	
MFG ENG:	
ISSUED:	

LOUD Technologies Inc.
 16220 WOOD-RED RD NE WOODINVILLE, WA 98072

SCHEMATIC, PROFX8 MAIN CHANNEL1

SIZE: D	SCALE: NONE	DWG. NO.: 0032817-XX	REV. E00
SHEET 2 OF 10			

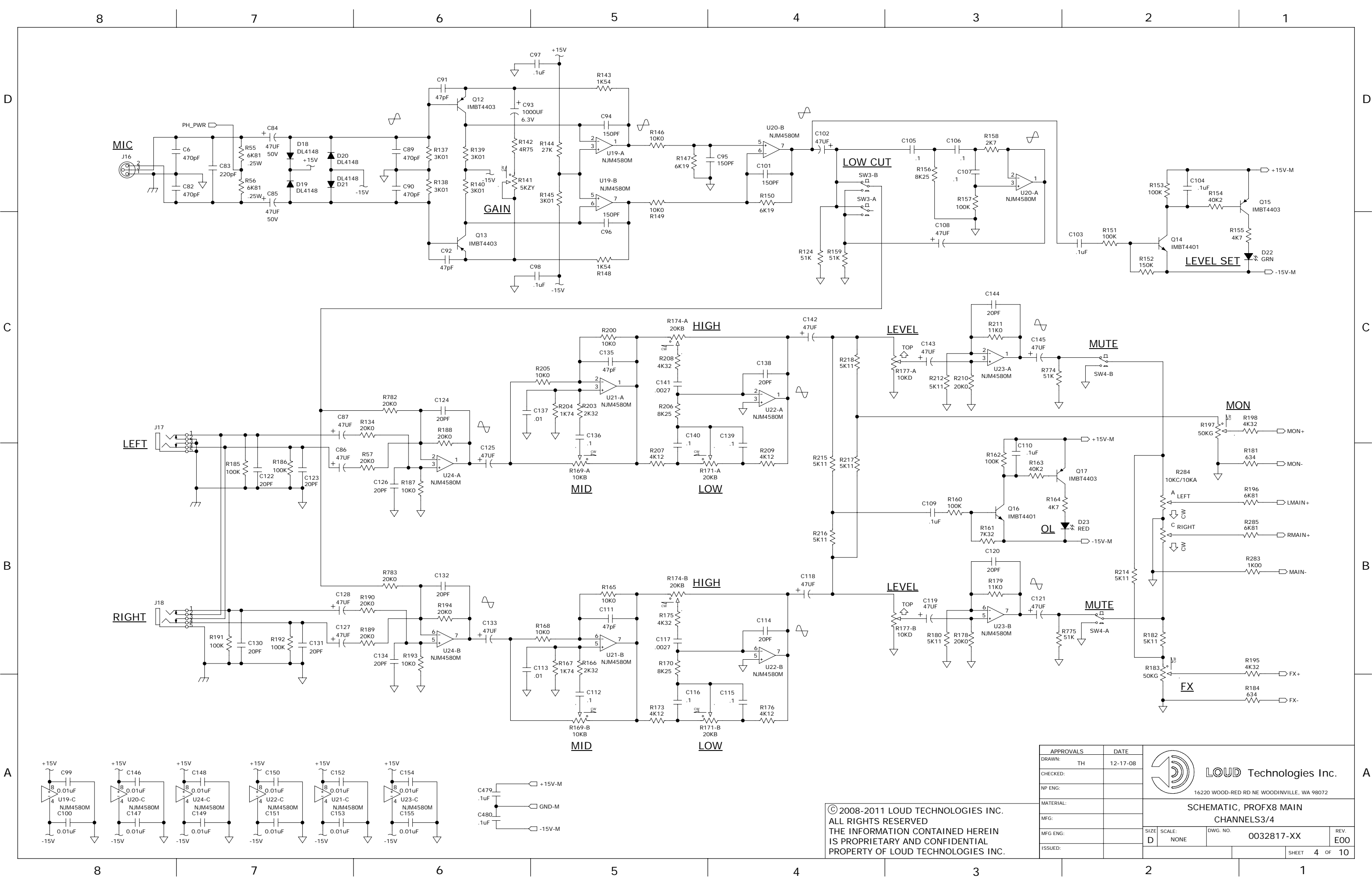


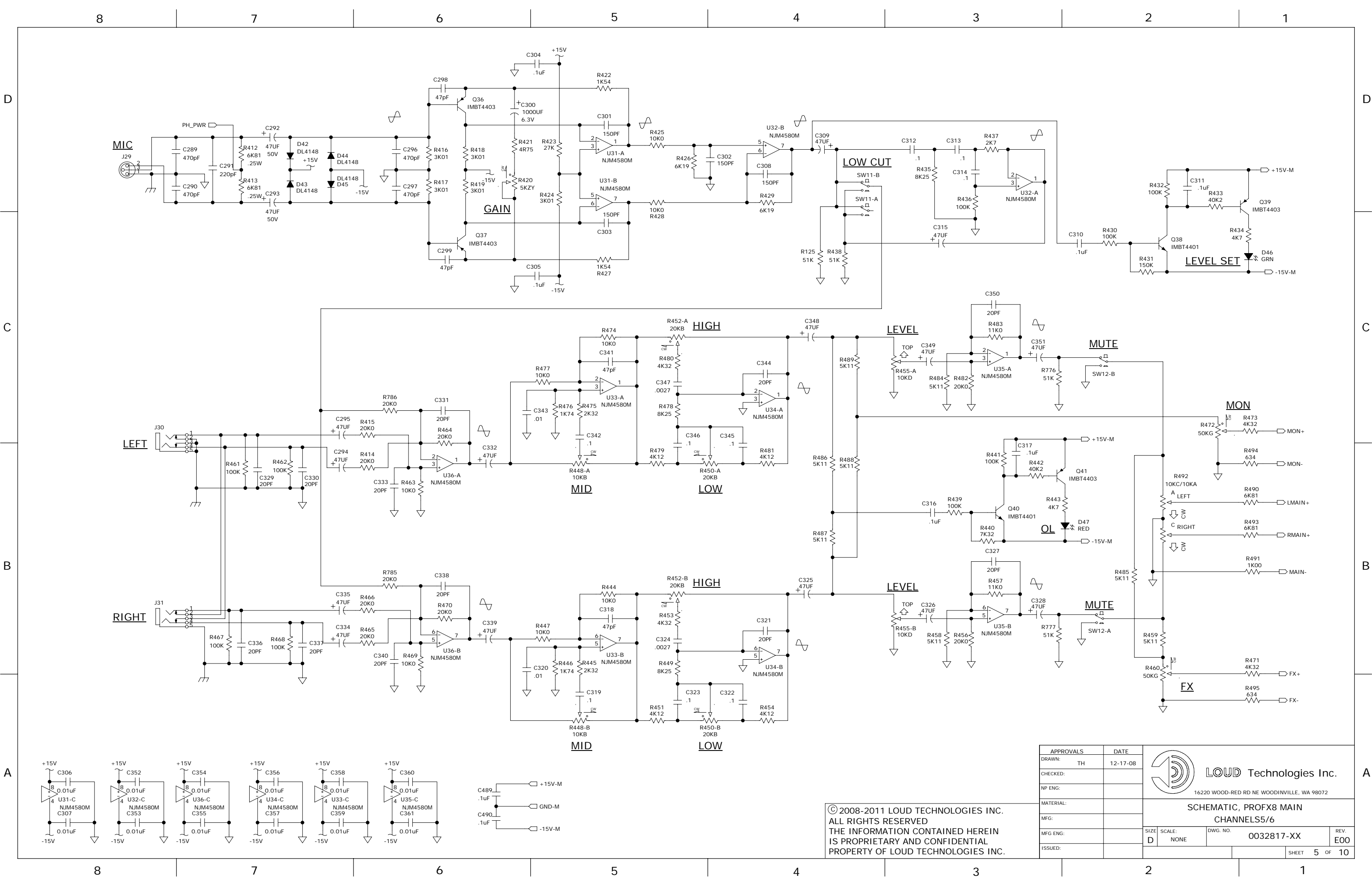
APPROVALS	DATE
DRAWN: TH	12-17-08
CHECKED:	
NP ENG:	
MATERIAL:	
MFG:	
MFG ENG:	
ISSUED:	



© 2008-2011 LOUD TECHNOLOGIES INC.
 ALL RIGHTS RESERVED
 THE INFORMATION CONTAINED HEREIN
 IS PROPRIETARY AND CONFIDENTIAL
 PROPERTY OF LOUD TECHNOLOGIES INC.

SCHEMATIC, PROFX8 MAIN CHANNEL2		REV. E00
SIZE: D	SCALE: NONE	DWG. NO. 0032817-XX
SHEET 3 OF 10		





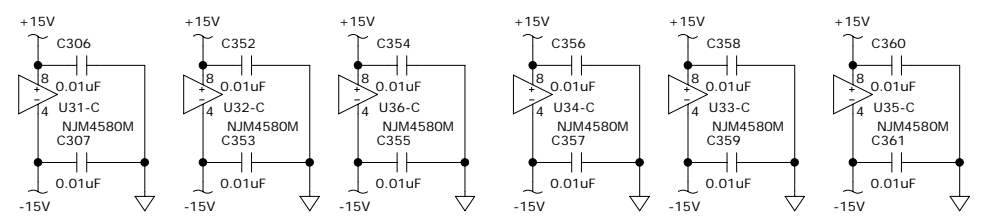
APPROVALS		DATE
DRAWN:	TH	12-17-08
CHECKED:		
NP ENG:		
MATERIAL:		
MFG:		
MFG ENG:		
ISSUED:		

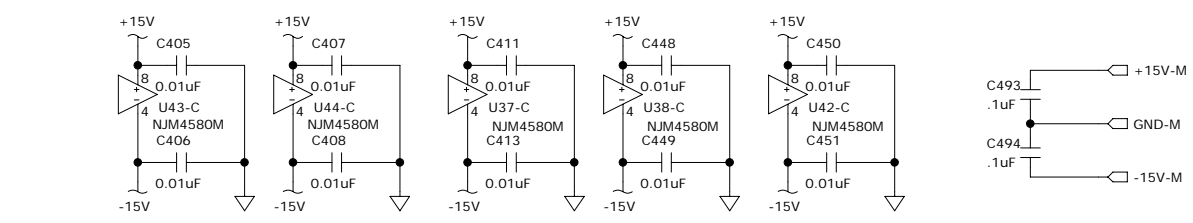
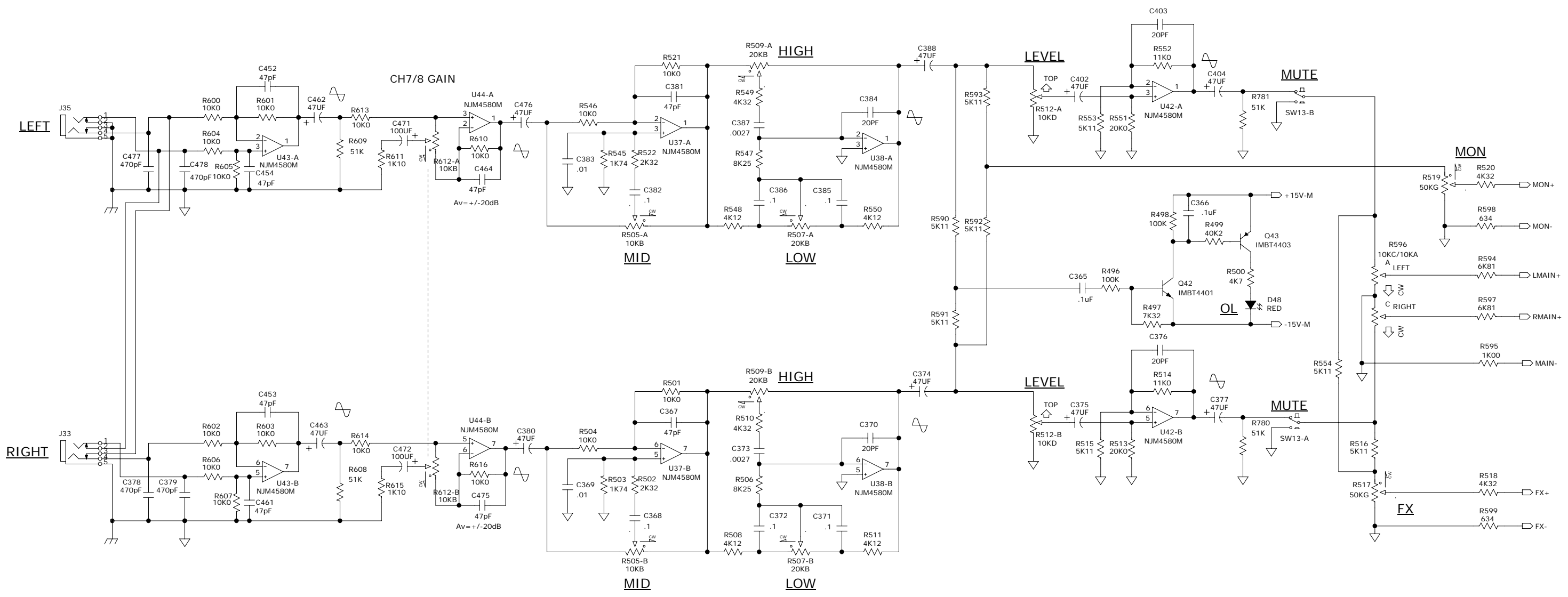
LOUD Technologies Inc.

16220 WOOD-RED RD NE WOODINVILLE, WA 98072

SCHEMATIC, PROFX8 MAIN CHANNELS5/6			
SIZE: D	SCALE: NONE	DWG. NO. 0032817-XX	REV. E00
SHEET 5 OF 10			

© 2008-2011 LOUD TECHNOLOGIES INC.
 ALL RIGHTS RESERVED
 THE INFORMATION CONTAINED HEREIN IS PROPRIETARY AND CONFIDENTIAL PROPERTY OF LOUD TECHNOLOGIES INC.



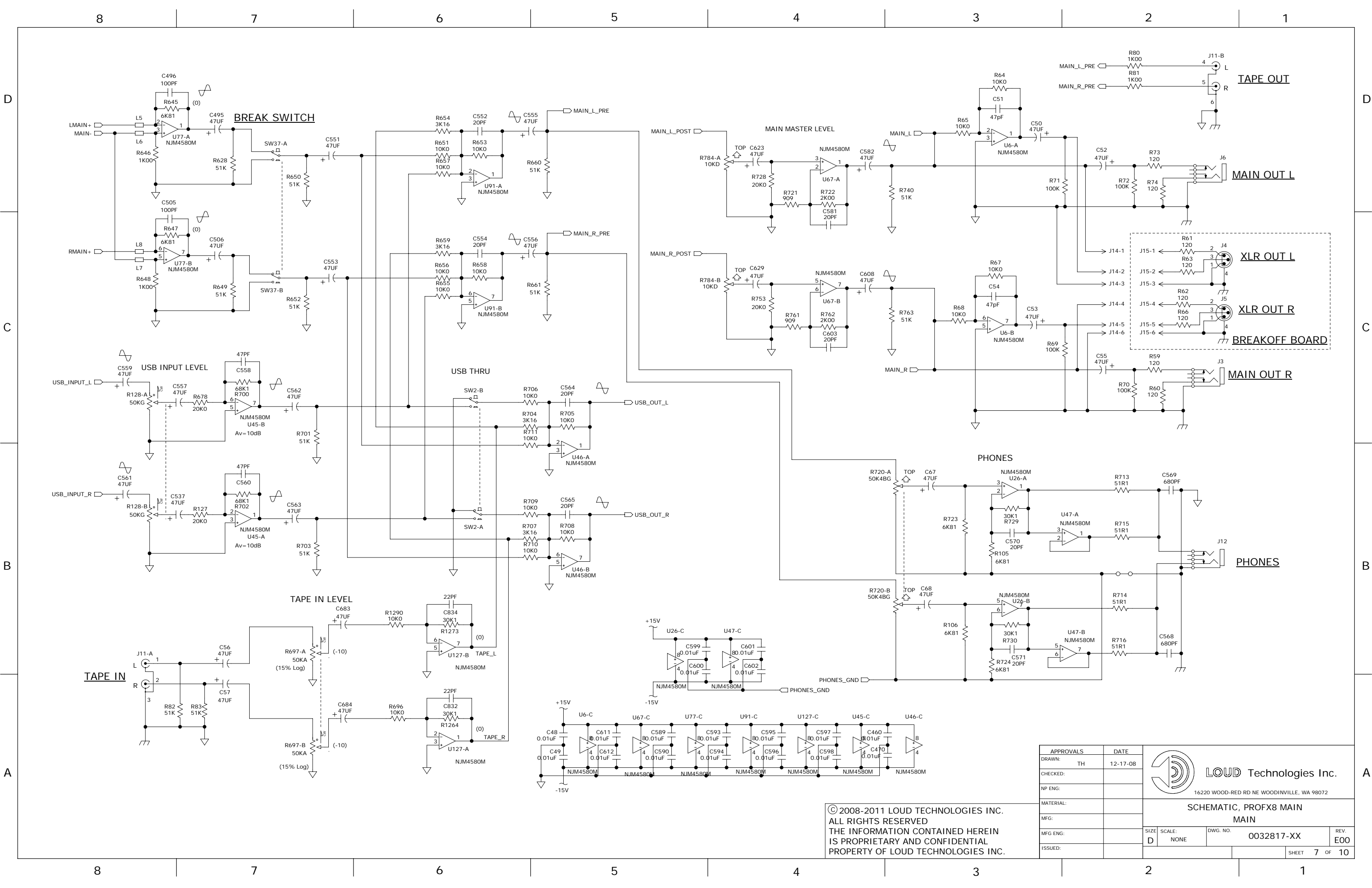


APPROVALS	DATE
DRAWN: TH	12-17-08
CHECKED:	
NP ENG:	
MATERIAL:	
MFG:	
MFG ENG:	
ISSUED:	


LOUD Technologies Inc.
16220 WOOD-RED RD NE WOODINVILLE, WA 98072

SCHEMATIC, PROFX8 MAIN CHANNELS 7/8	
SIZE: D	SCALE: NONE
DWG. NO. 0032817-XX	REV. E00
SHEET 6 OF 10	

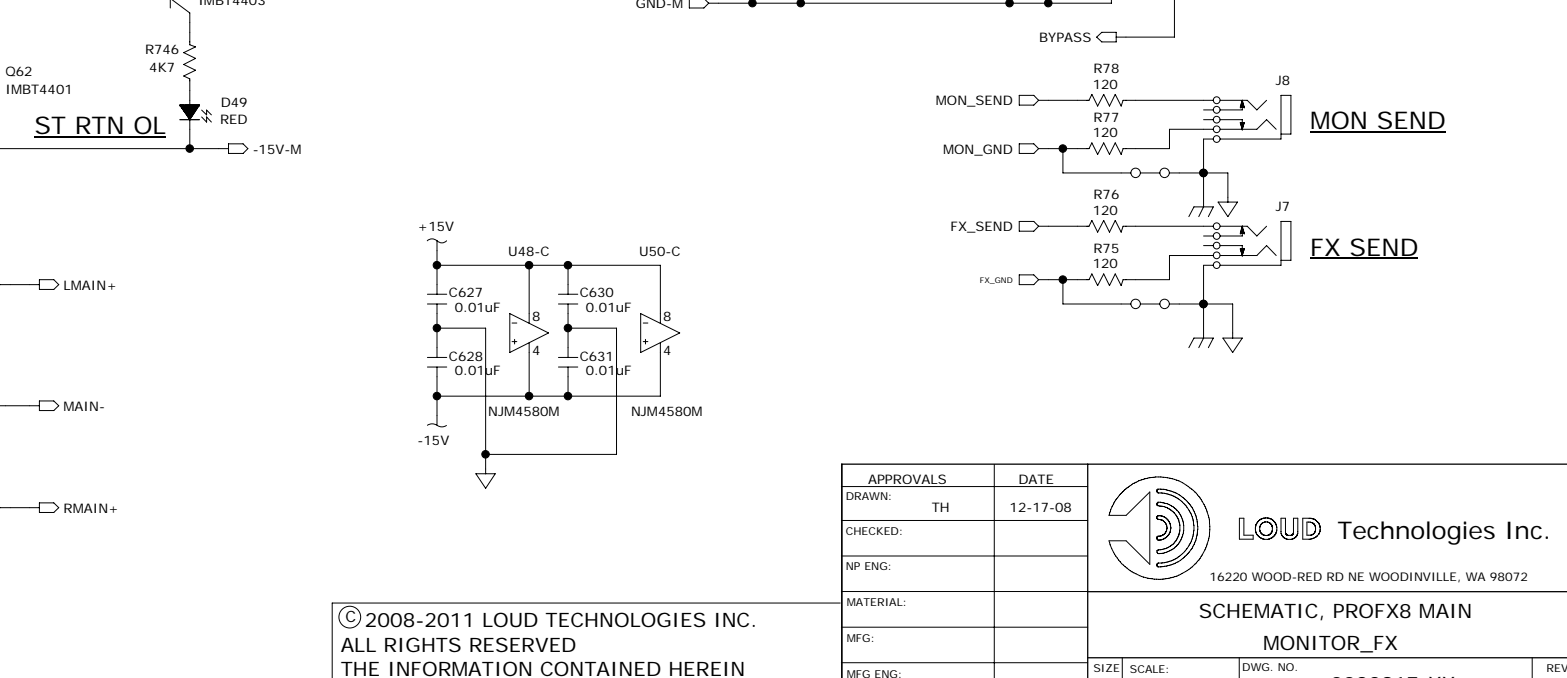
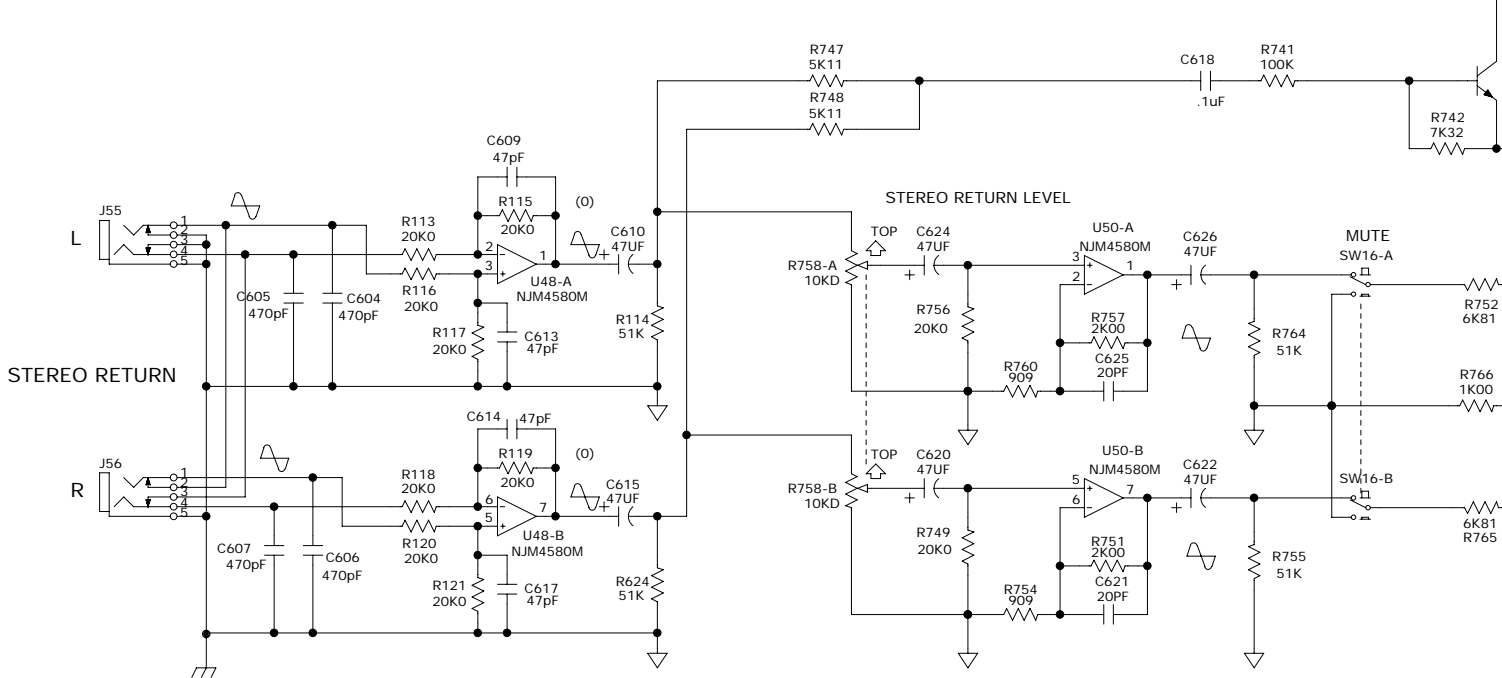
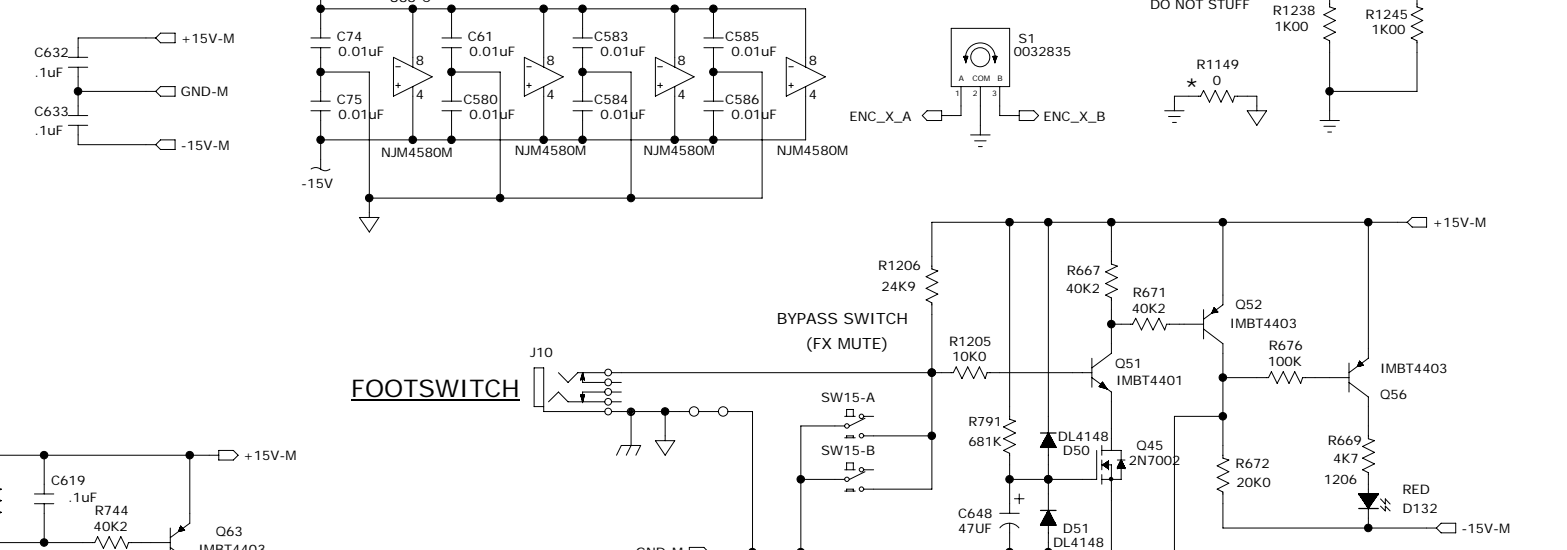
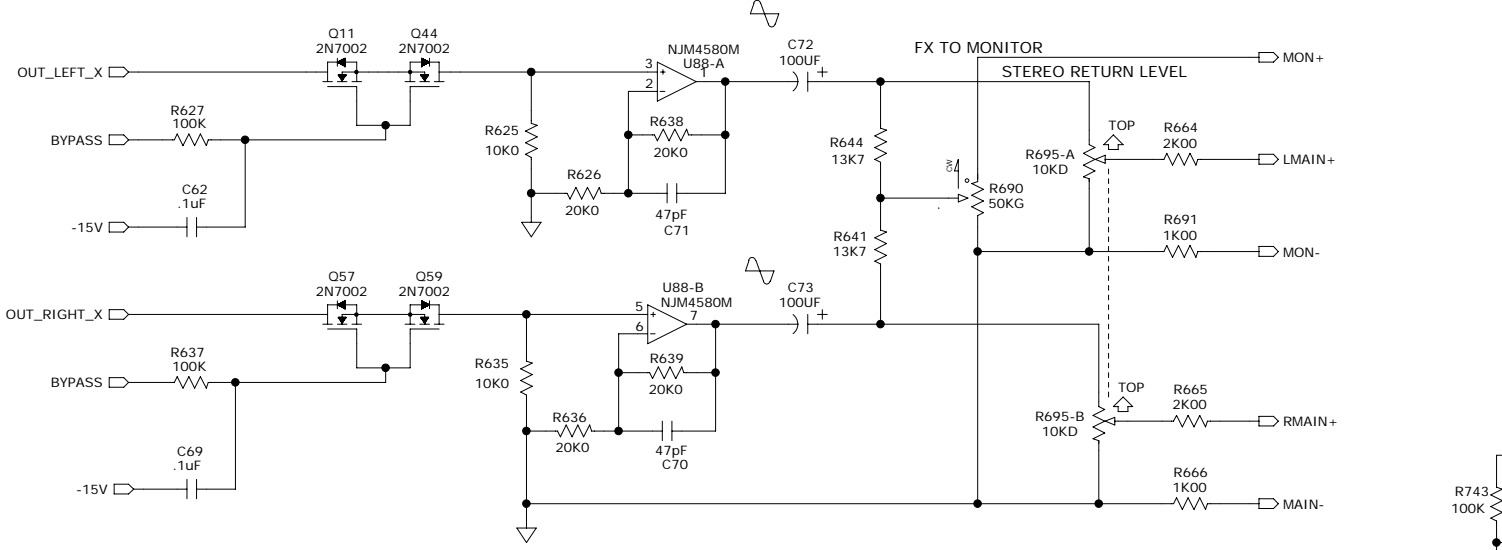
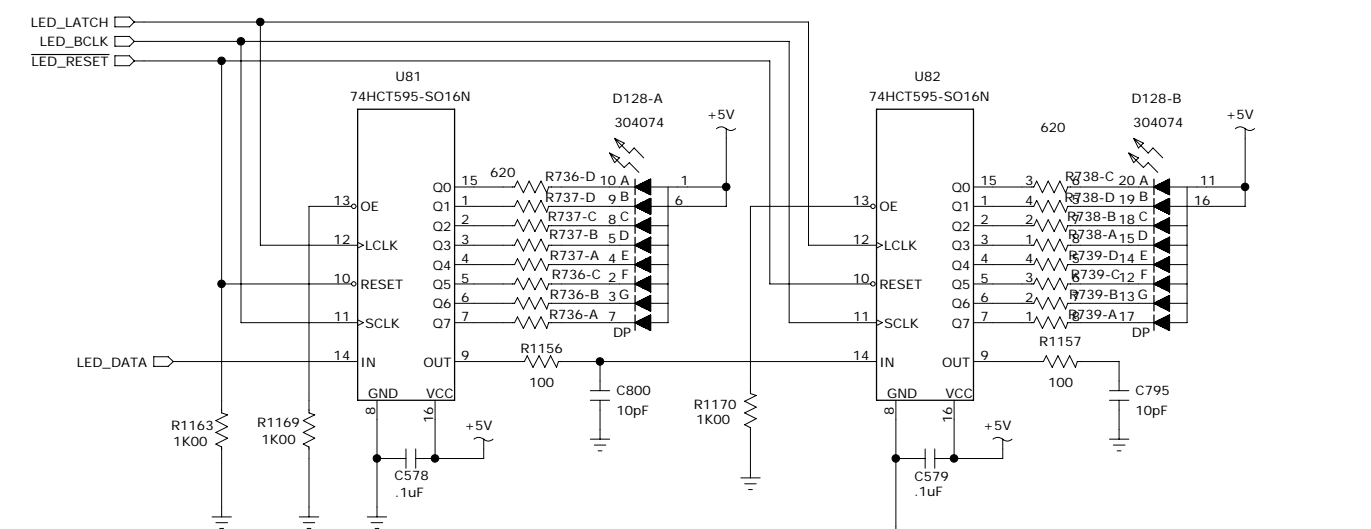
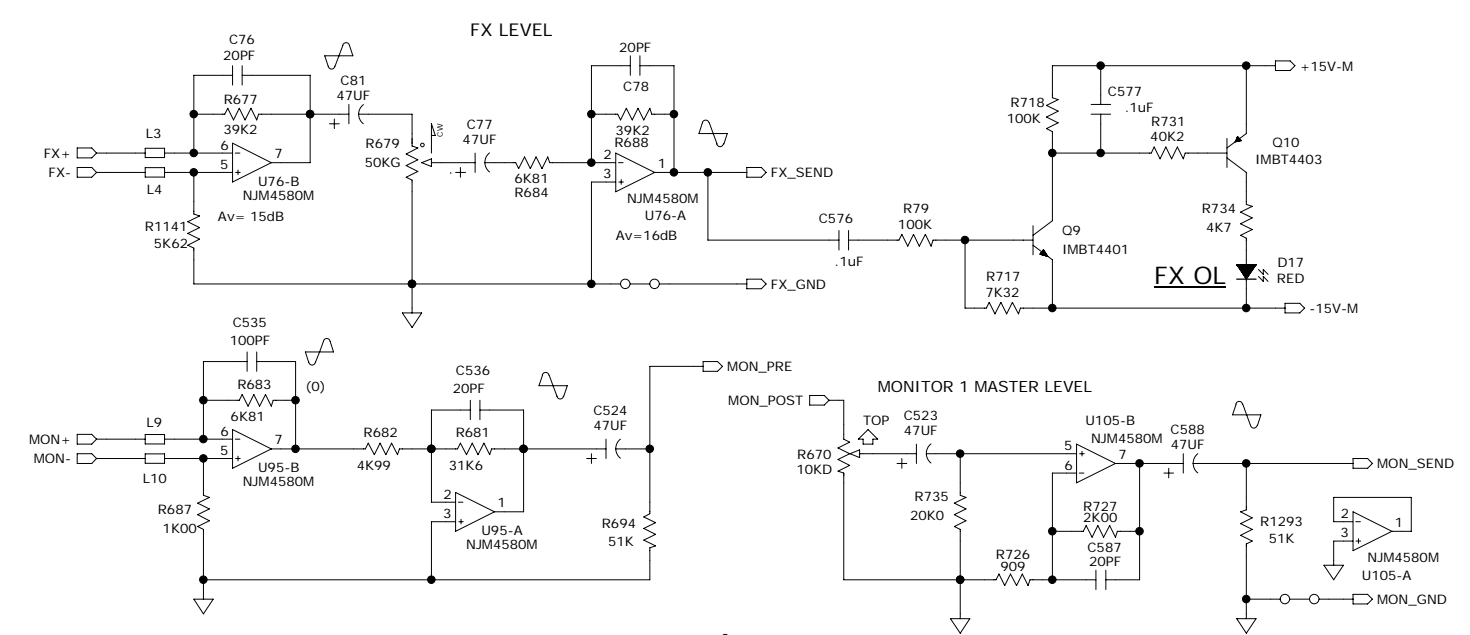
© 2008-2011 LOUD TECHNOLOGIES INC.
ALL RIGHTS RESERVED
THE INFORMATION CONTAINED HEREIN IS PROPRIETARY AND CONFIDENTIAL PROPERTY OF LOUD TECHNOLOGIES INC.



APPROVALS		DATE
DRAWN:	TH	12-17-08
CHECKED:		
NP ENG:		
MATERIAL:		
MFG:		
MFG ENG:		
ISSUED:		

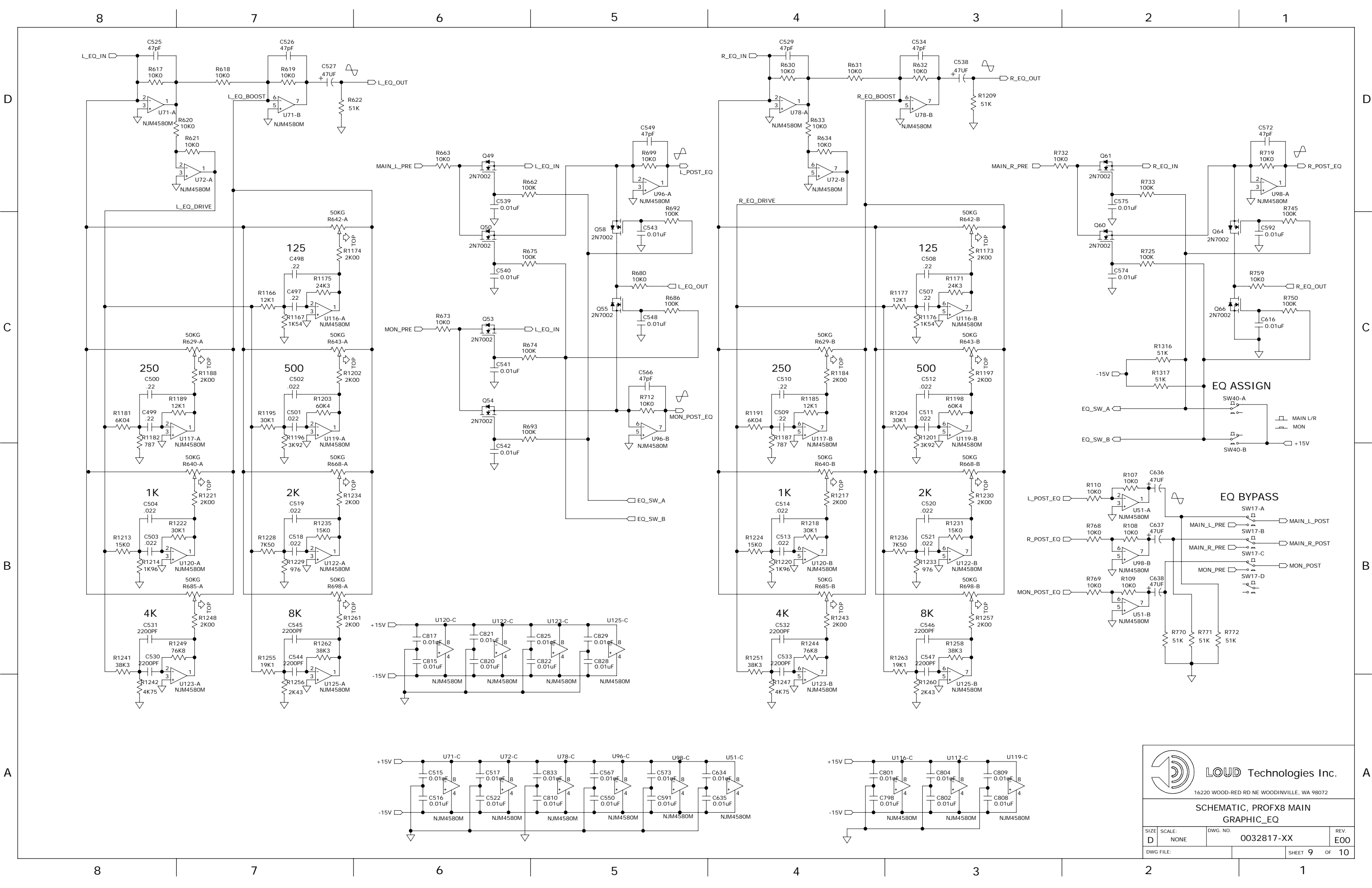
 LOUD Technologies Inc. 16220 WOOD-RED RD NE WOODINVILLE, WA 98072		SCHMATIC, PROFX8 MAIN MAIN	

© 2008-2011 LOUD TECHNOLOGIES INC.
 ALL RIGHTS RESERVED
 THE INFORMATION CONTAINED HEREIN
 IS PROPRIETARY AND CONFIDENTIAL
 PROPERTY OF LOUD TECHNOLOGIES INC.



APPROVALS	DATE	LOUD Technologies Inc.	
DRAWN: TH	12-17-08	16220 WOOD-RED RD NE WOODINVILLE, WA 98072	
CHECKED:		SCHEMATIC, PROFX8 MAIN	
NP ENG:		MONITOR_FX	
MATERIAL:		SIZE: D	SCALE: NONE
MFG:		DWG. NO.:	0032817-XX
MFG ENG:		REV.:	E00
ISSUED:		SHEET 8 OF 10	

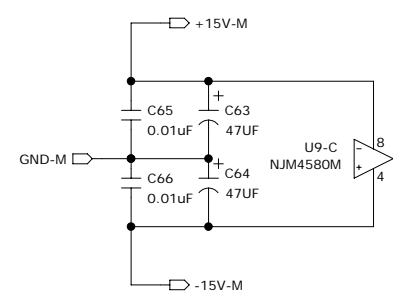
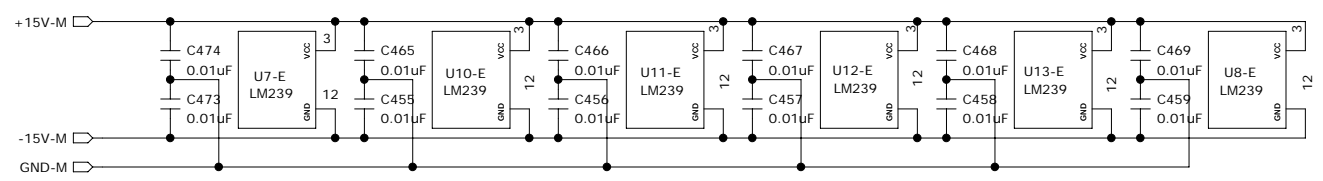
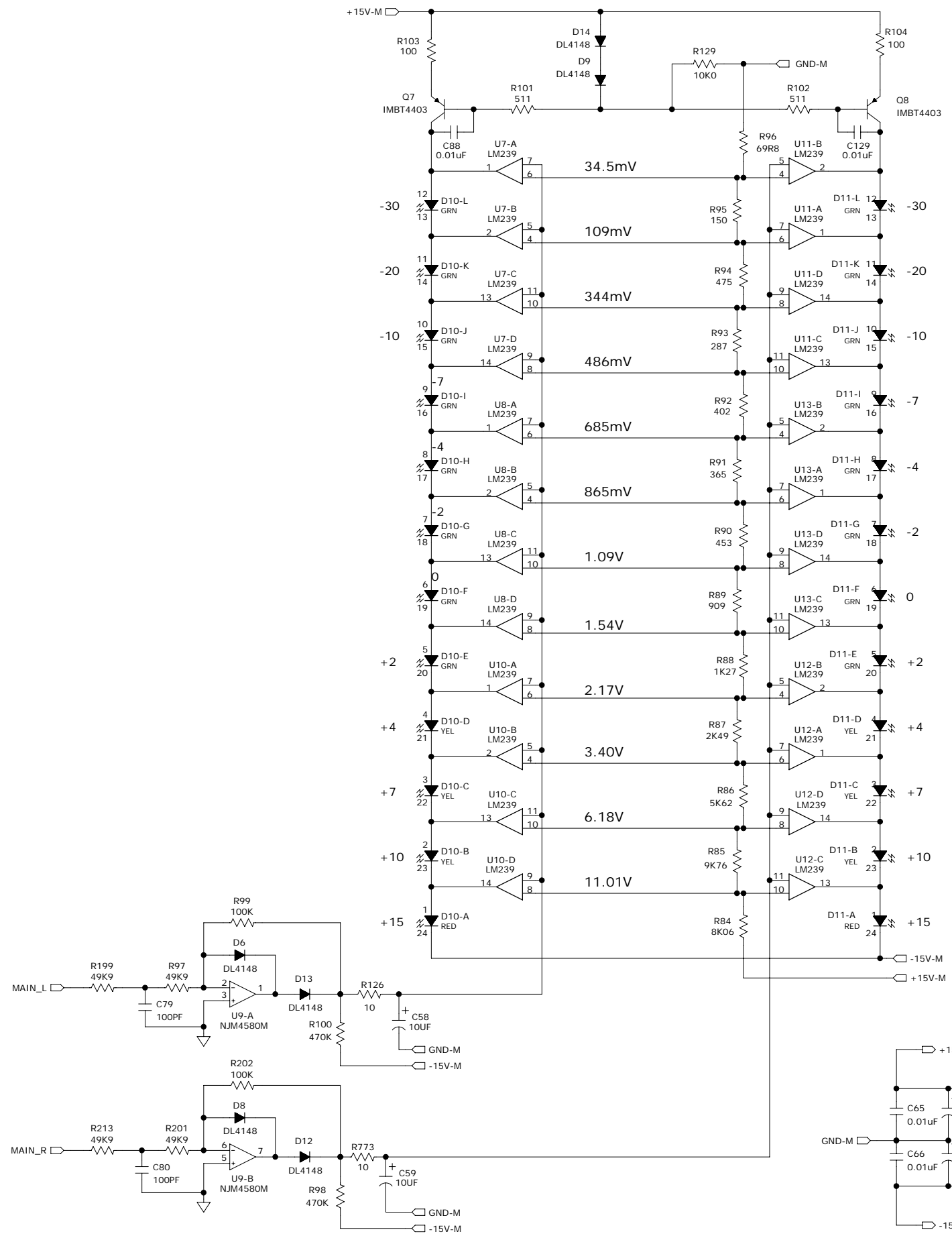
© 2008-2011 LOUD TECHNOLOGIES INC.
 ALL RIGHTS RESERVED
 THE INFORMATION CONTAINED HEREIN
 IS PROPRIETARY AND CONFIDENTIAL
 PROPERTY OF LOUD TECHNOLOGIES INC.




LOUD Technologies Inc.
 16220 WOOD-RED RD NE WOODINVILLE, WA 98072

SCHEMATIC, PROFX8 MAIN GRAPHIC_EQ

SIZE: D	SCALE: NONE	DWG. NO.: 0032817-XX	REV. E00
DWG. FILE:		SHEET 9 OF 10	



APPROVALS	DATE	 LOUD Technologies Inc. 16220 WOOD-RED RD NE WOODINVILLE, WA 98072
DRAWN: TH	12-17-08	
CHECKED:		SCHEMATIC, PROFX8 MAIN METERS
NP ENG:		
MATERIAL:		SIZE: D SCALE: NONE DWG. NO.: 0032817-XX REV. E00
MFG:		SHEET 10 OF 10
MFG ENG:		
ISSUED:		

© 2008-2011 LOUD TECHNOLOGIES INC.
 ALL RIGHTS RESERVED
 THE INFORMATION CONTAINED HEREIN
 IS PROPRIETARY AND CONFIDENTIAL
 PROPERTY OF LOUD TECHNOLOGIES INC.