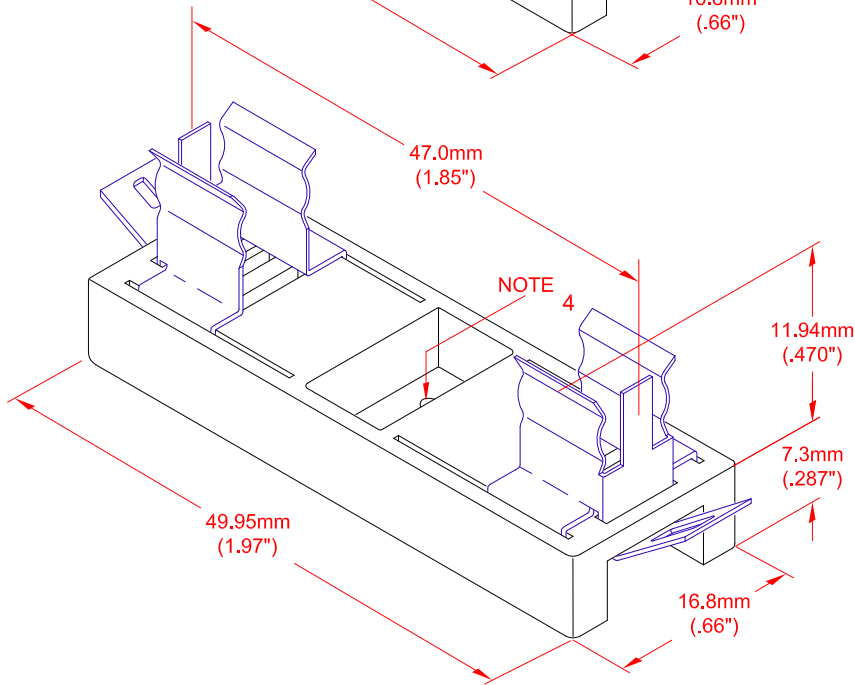


JKL PART NO.: 2910F-42



JKL PART NO.: 2910F-47

NOTES:

1. TAB SIZE REFERENCE DIMENSIONS: .244" wide X .30" deep X .016 thick.
KEYSTONE P/N 4470 QUICK-FIT SOCKET MAY BE USED FOR CONTACT.
2. LAMP SIZES FOR EACH HOLDER:
-42 HOLDER CAN HOLD LAMPS FROM 38mm TO 43mm LONG
-47 HOLDER CAN HOLD LAMPS FROM 40mm TO 44mm LONG
3. MINIMUM CONTACT DIAMETER .30"
4. LOCATION OF MOUNTING HOLE. HOLE DIA. : Ø3.5mm REF.
5. BODY MATERIAL: DUPONT FR50
MAX. WITHSTAND TEMPERATURE 130C
MAX. INTERMITTENT TEMPERATURE 180C
MAX. WATTAGE: -42 10W
 -47 18W

<table border="1"> <tr> <td>F</td> <td>CHANGE NOTE 2 HOLDER SIZES</td> <td>8/23/12</td> </tr> <tr> <td>E</td> <td>CHANGE NOTE 2</td> <td>3/9/10</td> </tr> <tr> <td>D</td> <td>ADDED NOTES</td> <td>8/7/08</td> </tr> <tr> <td>C</td> <td>CORR. MATERIAL DESCRIPTION</td> <td>11/13/07</td> </tr> <tr> <td>B</td> <td>ADD NOTES</td> <td>8/18/06</td> </tr> <tr> <td>A</td> <td>ADD PART NO. 2910F-47</td> <td>6/30/06</td> </tr> <tr> <td></td> <td>RELEASED</td> <td>6/12/06</td> </tr> </table>			F	CHANGE NOTE 2 HOLDER SIZES	8/23/12	E	CHANGE NOTE 2	3/9/10	D	ADDED NOTES	8/7/08	C	CORR. MATERIAL DESCRIPTION	11/13/07	B	ADD NOTES	8/18/06	A	ADD PART NO. 2910F-47	6/30/06		RELEASED	6/12/06	<p>METRIC</p> <p>THIRD ANGLE PROJECTION</p>		<p>DIMENSIONS ARE IN MILLIMETERS</p> <p>TOLERANCE UNLESS OTHERWISE SPECIFIED</p> <p>1 PL +/- REF.</p> <p>2 PL +/- REF.</p> <p>ANGLE +/- 0</p>		<p>JKL COMPONENTS CORPORATION</p>			
F	CHANGE NOTE 2 HOLDER SIZES	8/23/12																													
E	CHANGE NOTE 2	3/9/10																													
D	ADDED NOTES	8/7/08																													
C	CORR. MATERIAL DESCRIPTION	11/13/07																													
B	ADD NOTES	8/18/06																													
A	ADD PART NO. 2910F-47	6/30/06																													
	RELEASED	6/12/06																													
			<p>DRAWN BY L. WENGSTROM</p> <p>APPV'D BY L. R.</p> <p>DATE 8/23/12</p>		<p>SIZE A</p> <p>FSCM NO. 55335</p>		<p>TITLE FESTOON HOLDER</p> <p>DRAWING NO. 2910F</p>																								
<p>REV. NO. DESCRIPTION/ECO NUMBER</p>			<p>APPV'D DATE</p>		<p>SCALE NONE</p>		<p>RELEASED DATE 6/12/06</p>		<p>REVISION DATE 8/23/12</p>																						
			<p>- CAD DRAWING -</p> <p>MANUAL REVISIONS NOT PERMITTED</p>				<p>REV. NO. F</p>		<p>SHEET 1 OF 1</p>																						