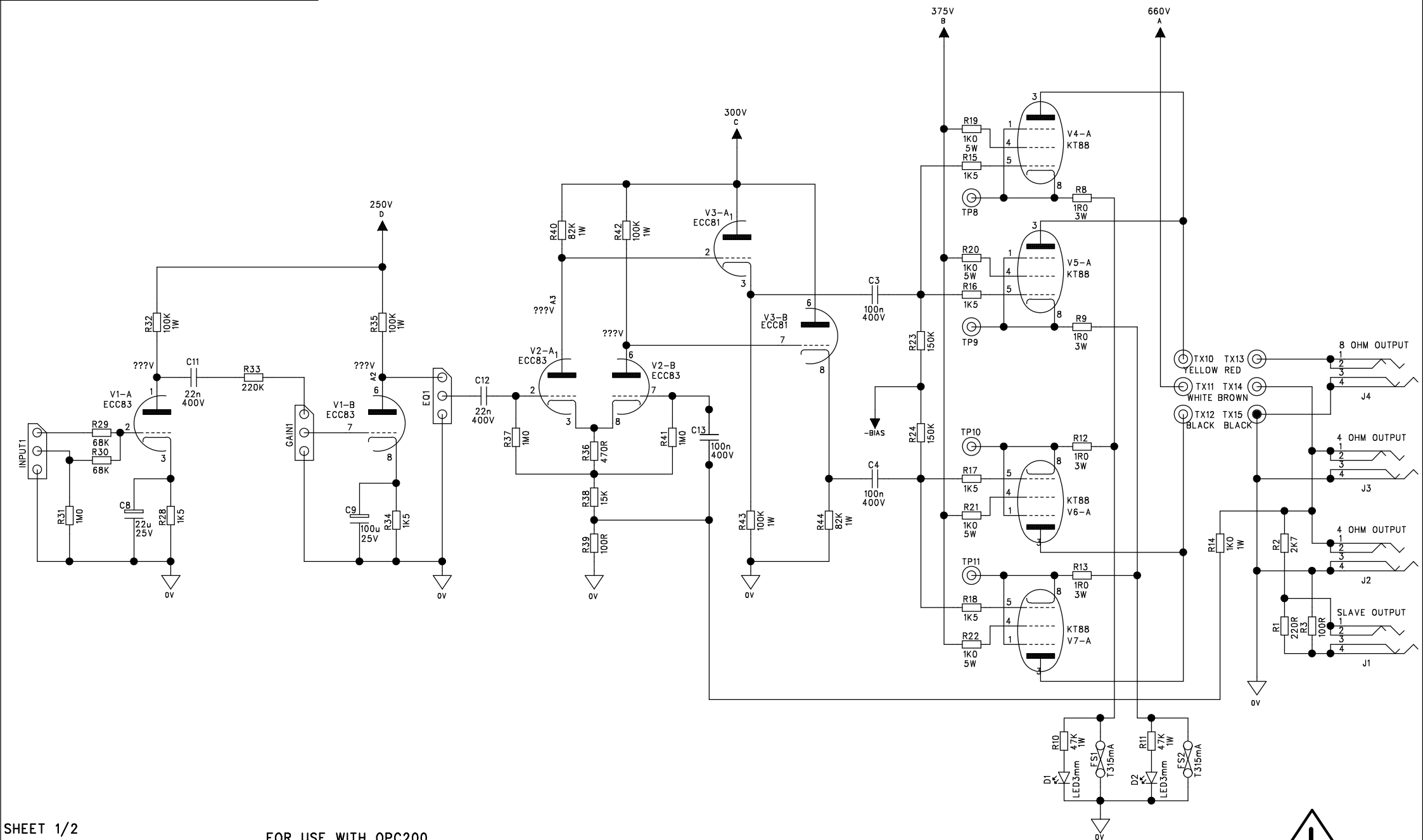


ISSUE CHANGE DATE	NOTE	ISSUE CHANGE DATE	NOTE	ISSUE CHANGE DATE	NOTE
ISSUE CHANGE DATE	NOTE	ISSUE CHANGE DATE	NOTE	ISSUE CHANGE DATE	NOTE

# ORANGE AD200 - MAIN BOARD



SHEET 1/2  
Circuit Design by Adrian Emsley

FOR USE WITH OPC200

TITLE	PROJECT	MAIN BOARD
DRAWING No	ORANGE AD200	ORANGE
ISSUE	OC00200	Denmark Street
DATE	A	LONDON
DRAWN BY	14 March 2003	GREAT BRITAIN
	Paul Stevens	Tel: +44 (0) 207 240 7696

ALL TEST POINT VOLTAGES ARE DC WITH RESPECT TO TPO 0V EXCEPT WHERE OTHERWISE INDICATED. BIAS SET FULLY ANTI-CW TOLERANCE +/- 10%

Connects to OPC201  
Refer to OCD201



COMPONENTS USED ARE OF AN APPROVED TYPE AND MUST BE REPLACED ACCORDINGLY