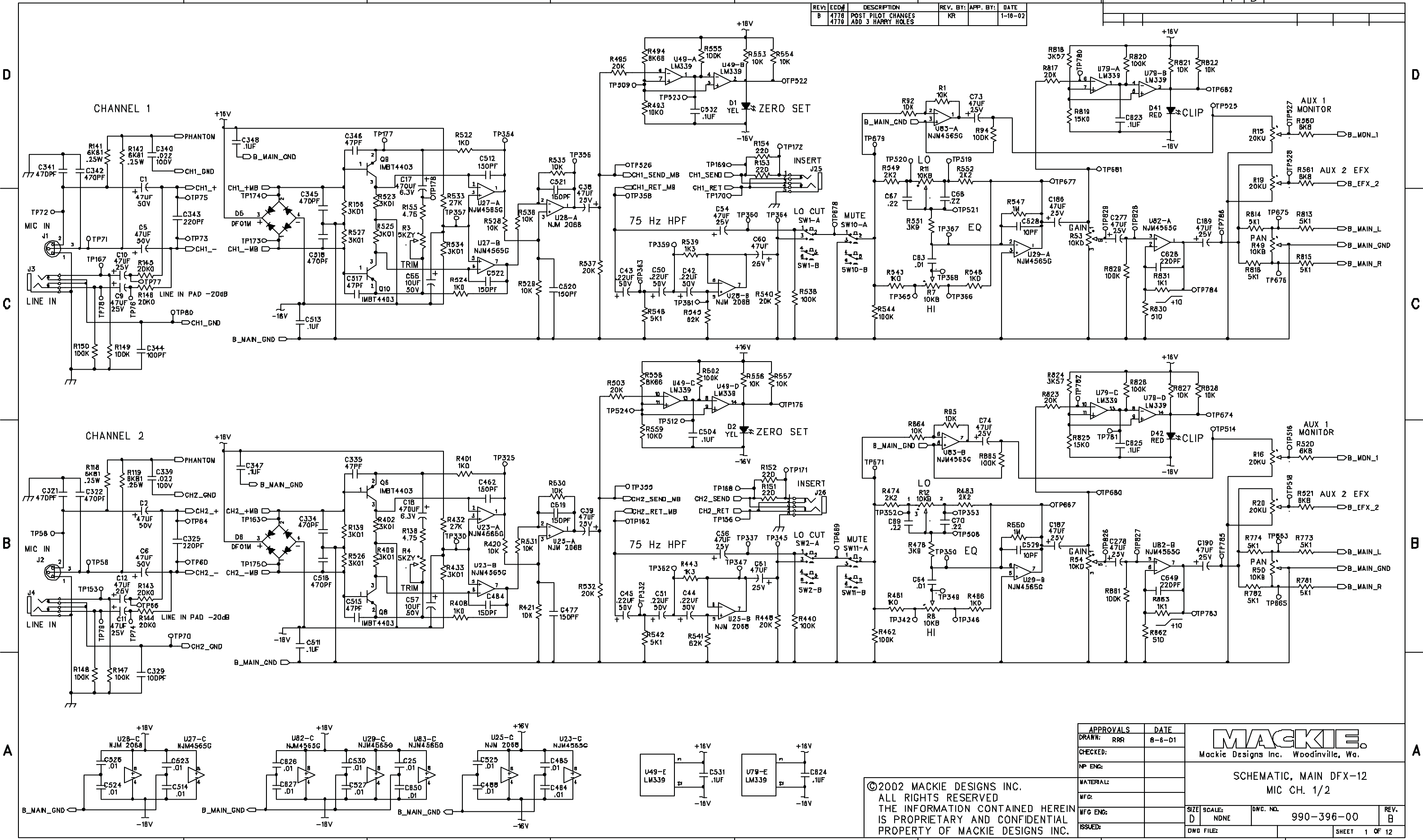


REV:	EDD#	DESCRIPTION	REV. BY:	APP. BY:	DATE
B	4778	POST PILOT CHANGES	KR		1-16-02
	4779	ADD 3 HARRY HOLES			



APPROVALS		DATE	MACKIE	
DRAWN:	RRR	8-6-01	Mackie Designs Inc. Woodinville, Wa.	
CHECKED:			SCHEMATIC, MAIN DFX-12	
MP ENG:			MIC CH. 1/2	
MATERIAL:			SIZE	SCALE
MFG:			D	NDNE
MFG ENG:			DWG. NO.	990-396-00
ISSUED:			REV.	B
			DWG FILE:	SHEET 1 OF 12

©2002 MACKIE DESIGNS INC.
 ALL RIGHTS RESERVED
 THE INFORMATION CONTAINED HEREIN
 IS PROPRIETARY AND CONFIDENTIAL
 PROPERTY OF MACKIE DESIGNS INC.

D

D

C

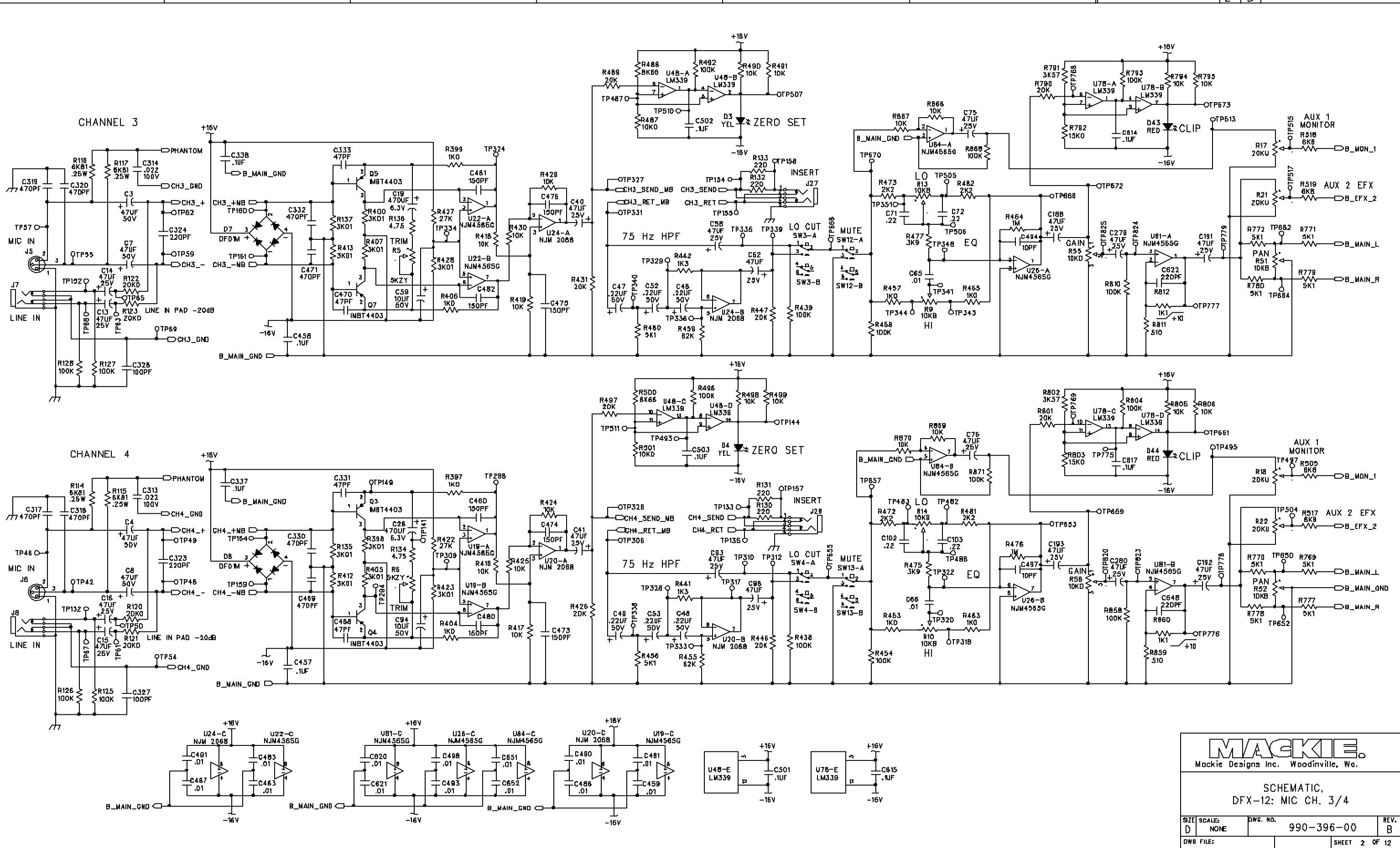
C

B

B

A

A



MACKIE.
Mackie Designs Inc. Woodinville, Wa.

SCHMATIC,
DFX-12: MIC CH. 3/4

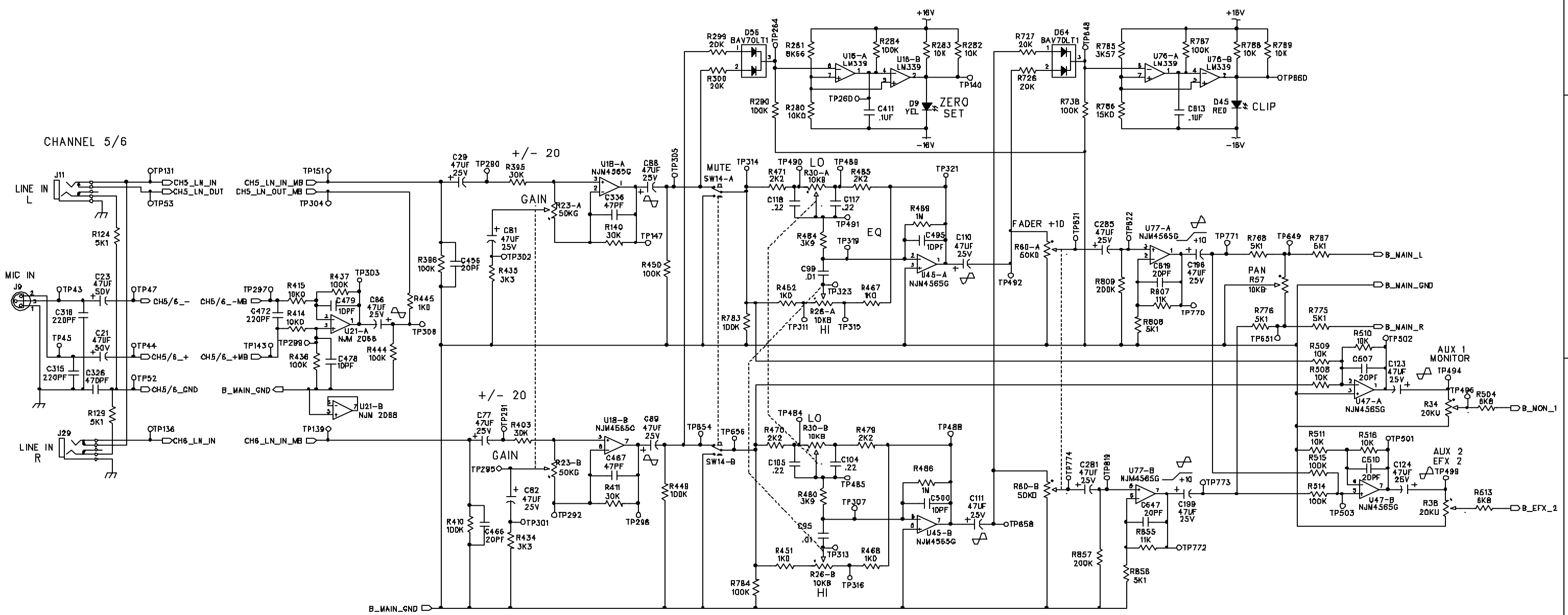
SIZE: D	SCALE: NONE	DWG. NO. 990-396-00	REV. B
DWB FILE:		SHEET 2 OF 12	

D

C

B

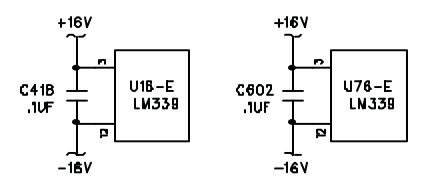
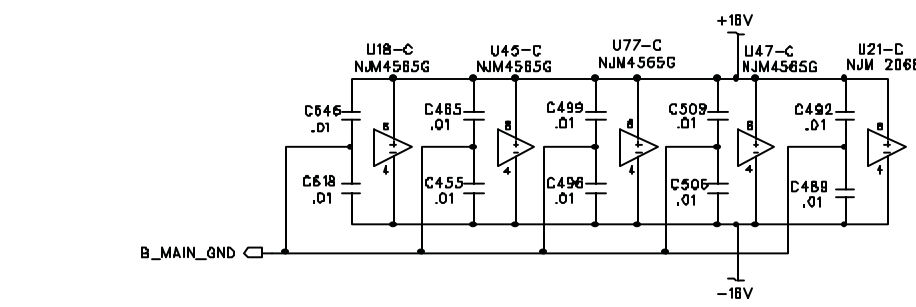
A



CHANNEL 5/6

MIC IN

LINE IN R



MACKIE
Mackie Designs Inc. Woodinville, Wa.

SCHMATIC,
DFX-12: ST. CH. 5/6

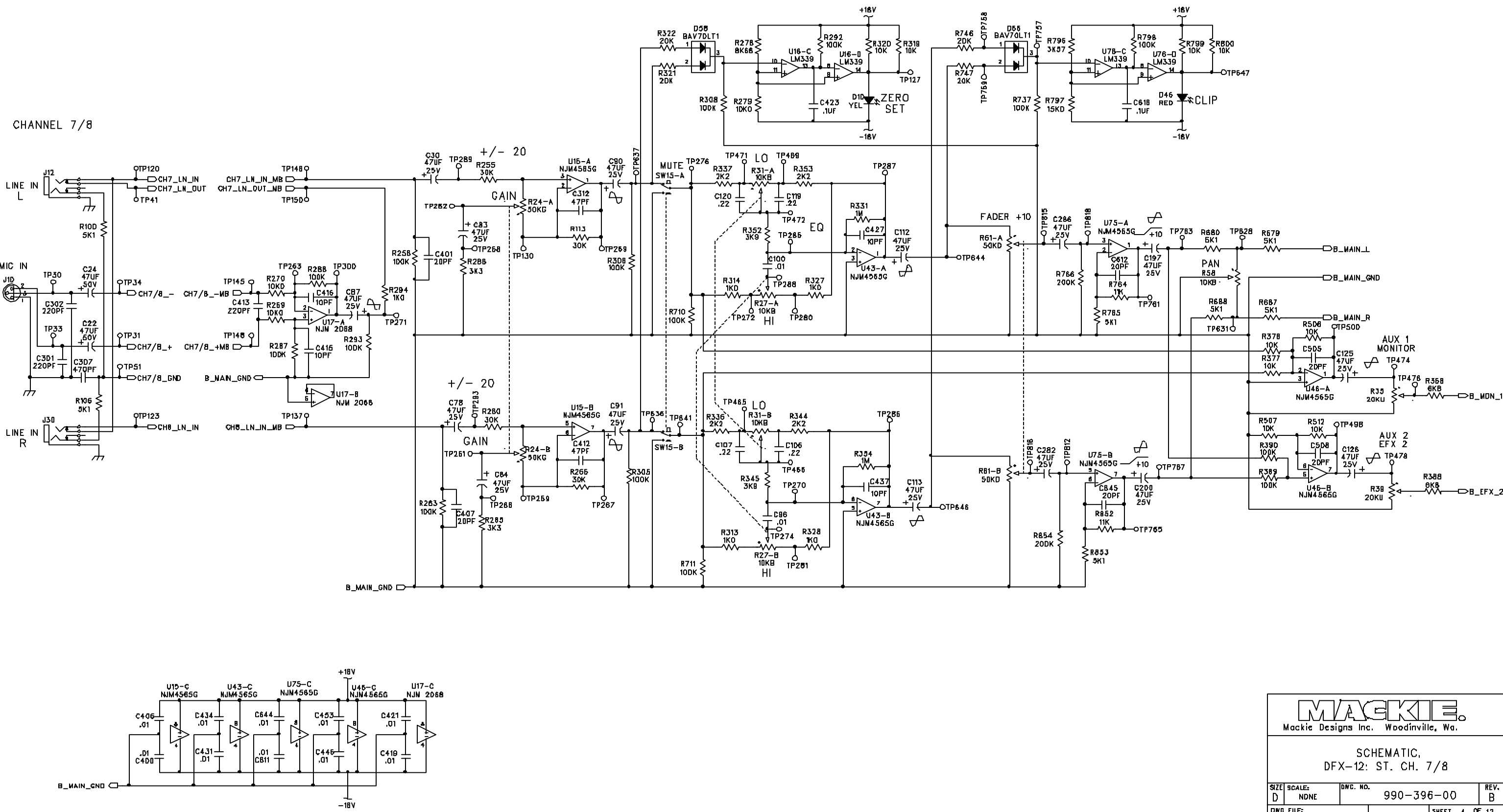
SIZE: D	SCALE: NONE	DWG. NO.: 990-396-00	REV.: B
DWG FILE:		SHEET 3 OF 12	

D

C

B

A



MACKIE.
Mackie Designs Inc. Woodinville, Wa.

SCHMATIC,
DFX-12: ST. CH. 7/8

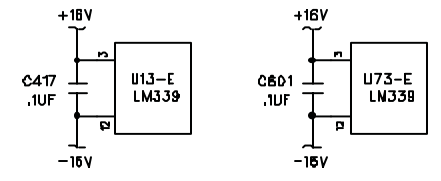
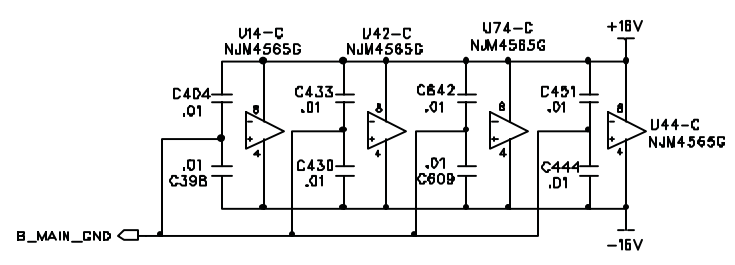
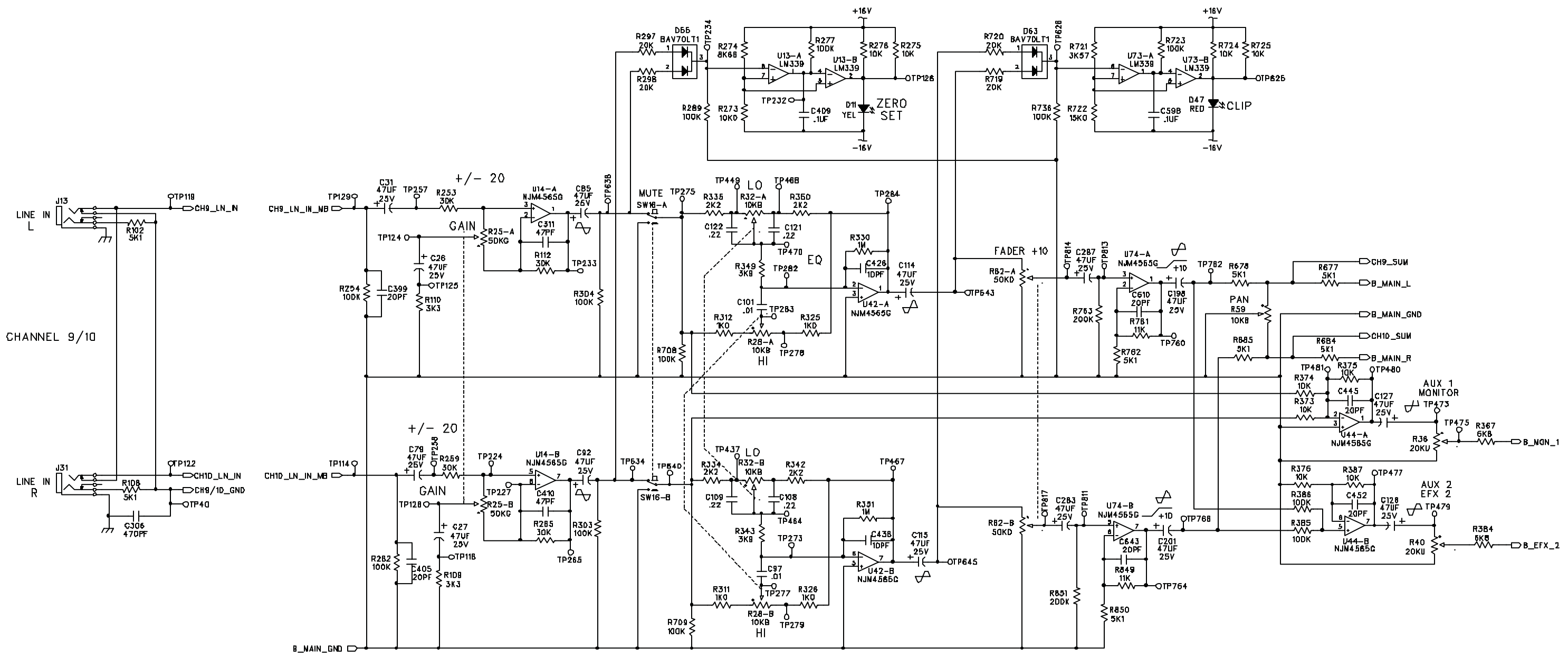
SIZE D	SCALE NONE	DWG. NO. 990-396-00	REV. B
DWG FILE:		SHEET 4 OF 12	

D

C

B

A

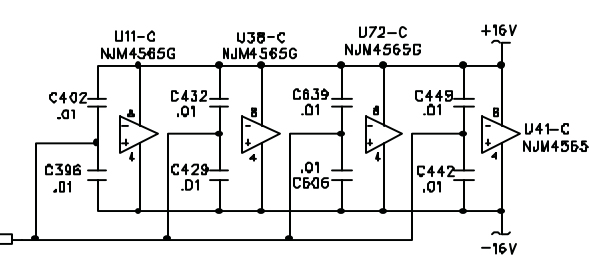
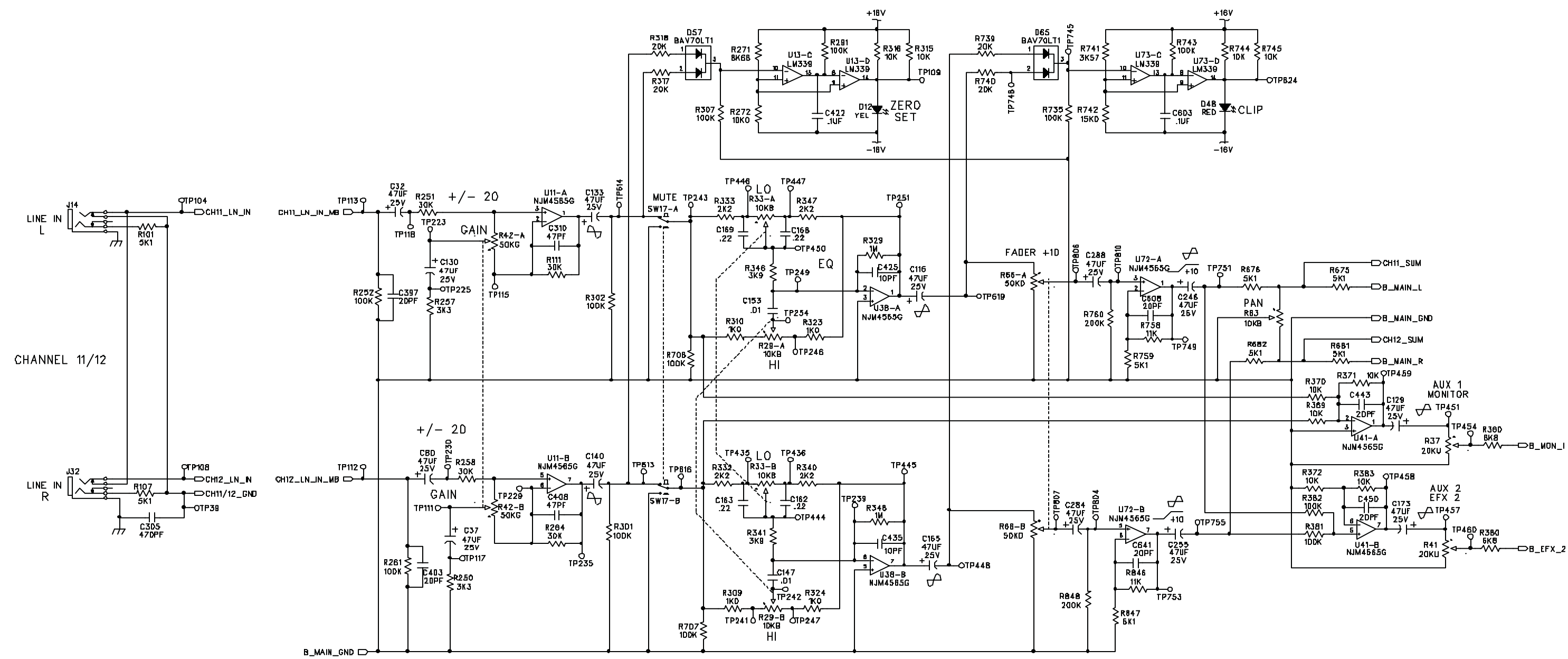


MACKIE
Mackie Designs Inc. Woodinville, Wa.

SCHEMATIC,
DFX-12: ST. CH. 9/10

SIZE: D	SCALE: NONE	DWG. NO.: 990-396-00	REV.: B
DWB FILE:		SHEET 5 OF 12	

D
C
B
A



MACKIE
Mackie Designs Inc. Woodinville, Wa.

SCHMATIC,
DFX-12: ST. CH. 11/12

SIZE: D	SCALE: NDNE	DWG. NO.: 990-396-00	REV.: B
DWG FILE:		SHEET 6 OF 12	

D

C

B

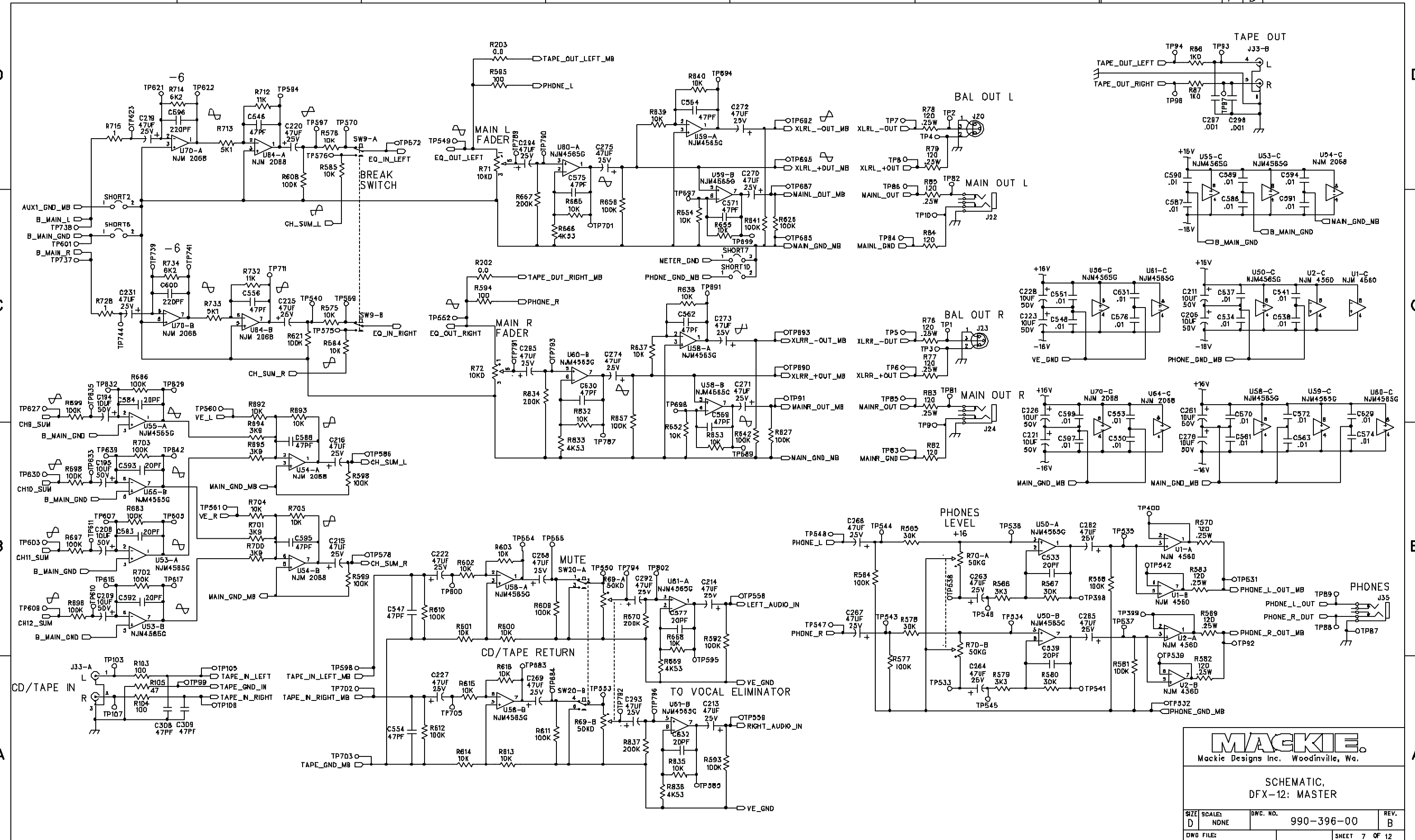
A

D

C

B

A



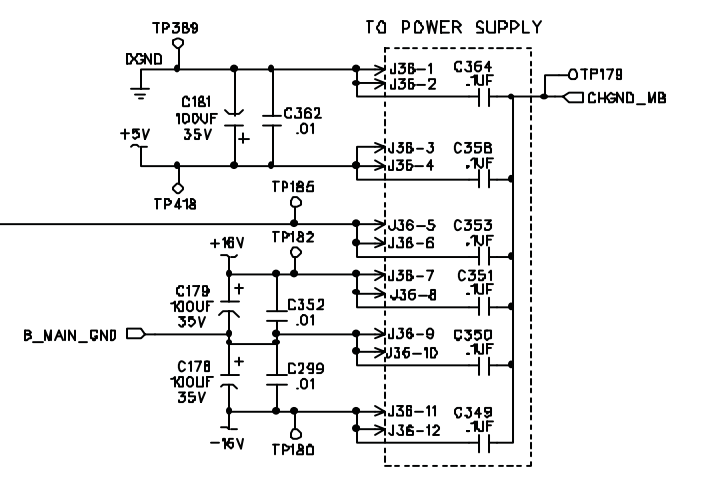
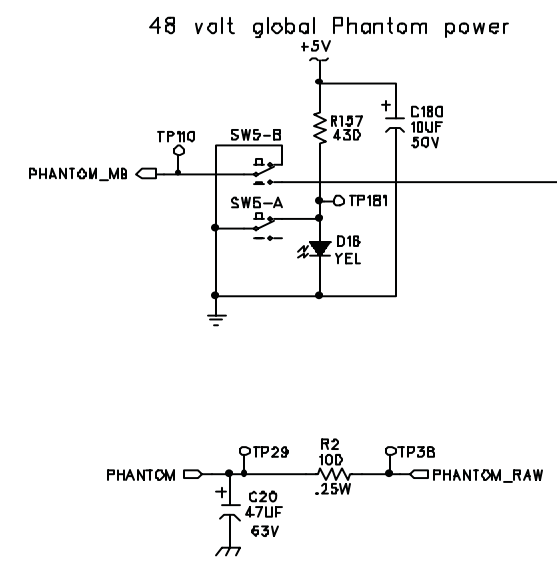
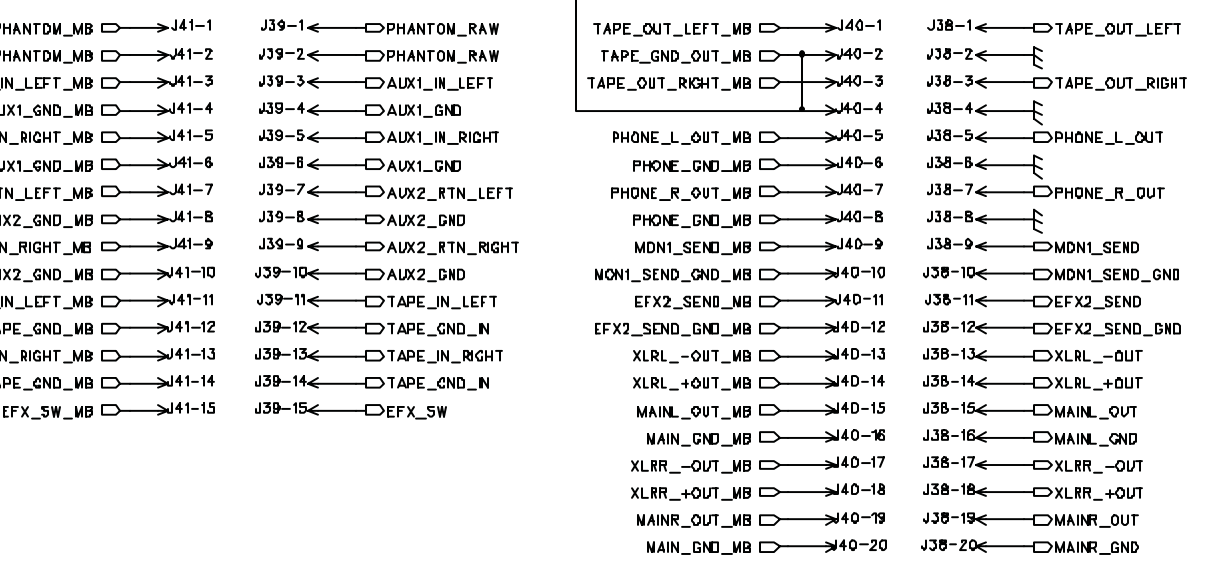
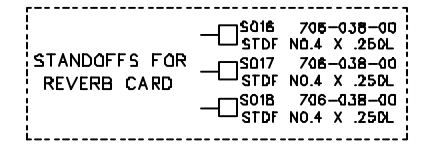
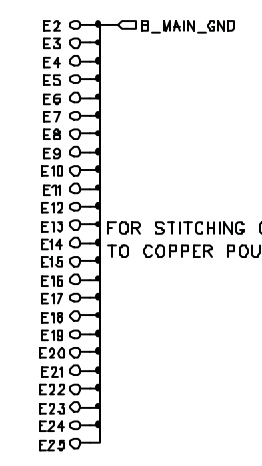
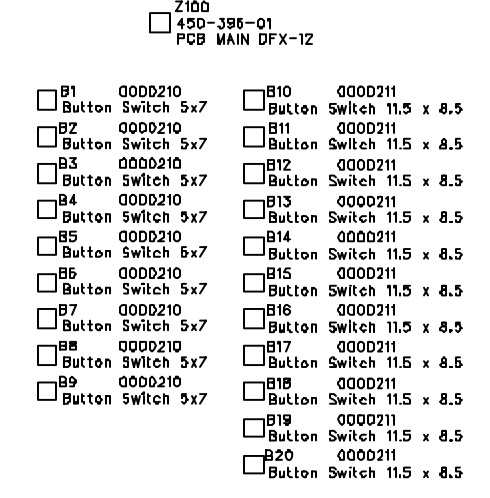
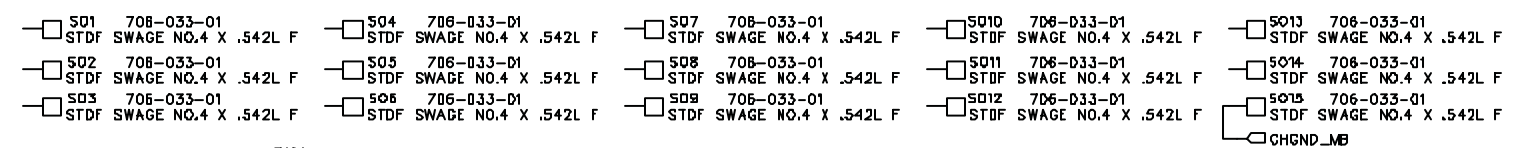
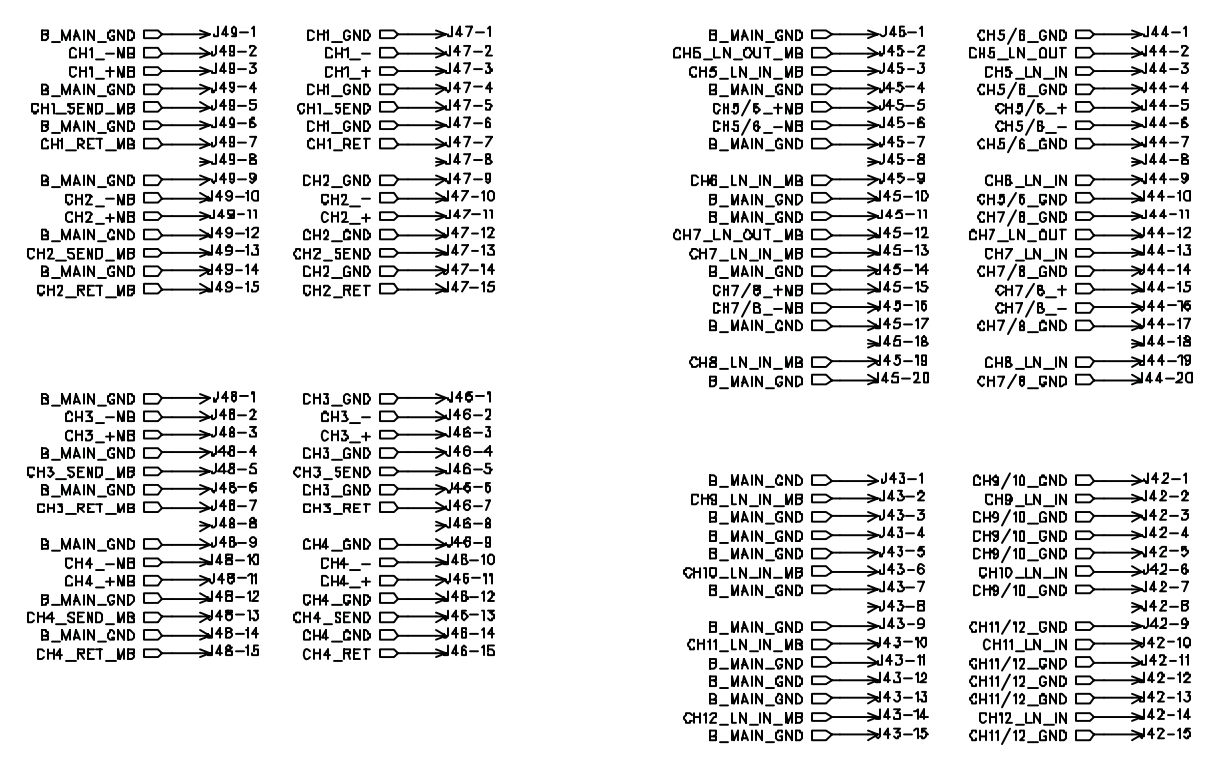
MACKIE
Mackie Designs Inc. Woodinville, Wa.

SCHMATIC,
DFX-12: MASTER

SIZE: D	SCALE: NDNE	DWG. NO. 990-396-00	REV. B
DWG FILE:		SHEET 7 OF 12	

D
C
B
A

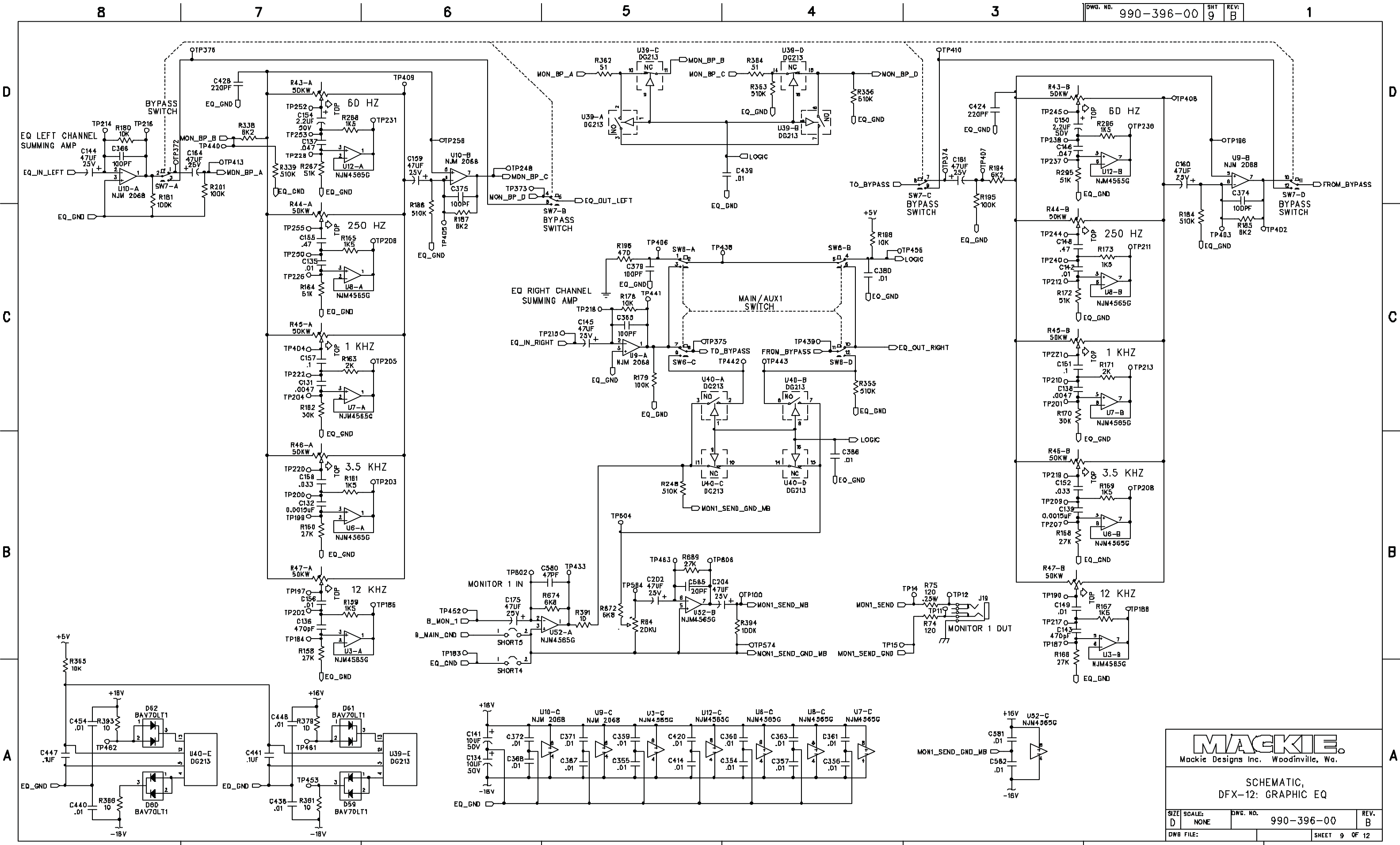
D
C
B
A



MACKIE
Mackie Designs Inc. Woodinville, Wa.

SCHMATIC,
DFX-12: CONNECTORS/POWER

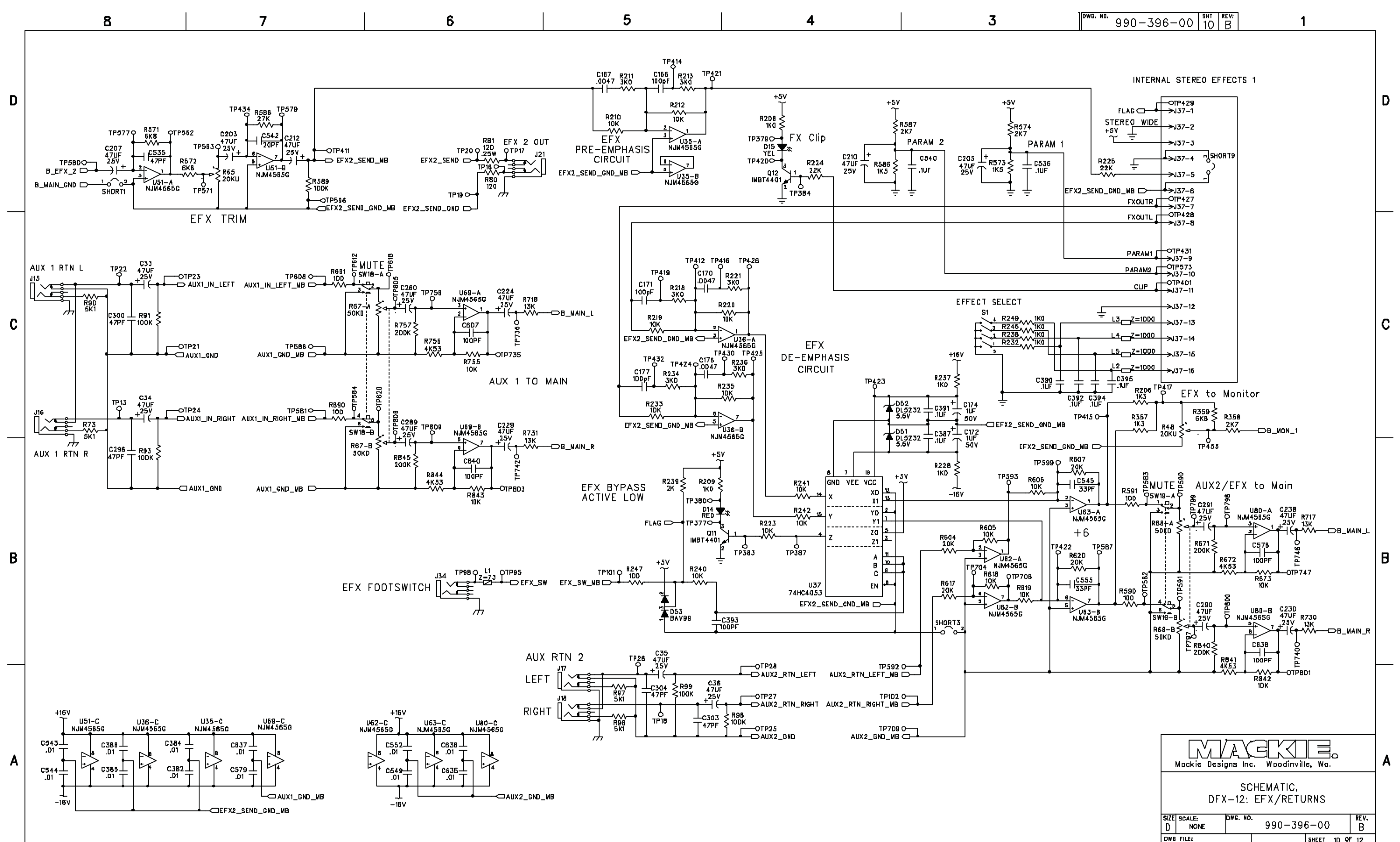
SIZE: D	SCALE: NDNE	DWG. NO.: 990-396-00	REV.: B
DWG FILE:		SHEET 8 OF 12	



MACKIE.
Mackie Designs Inc. Woodinville, Wa.

SCHMATIC,
DFX-12: GRAPHIC EQ

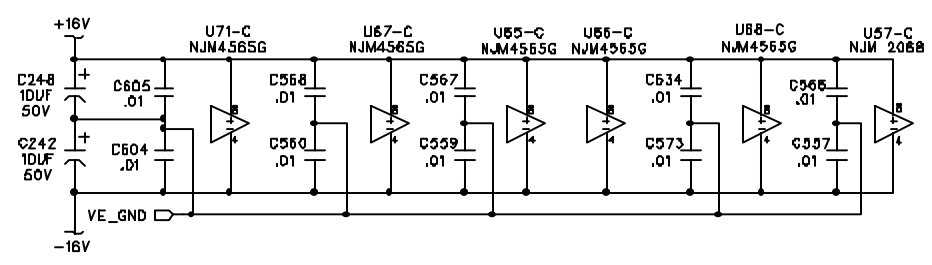
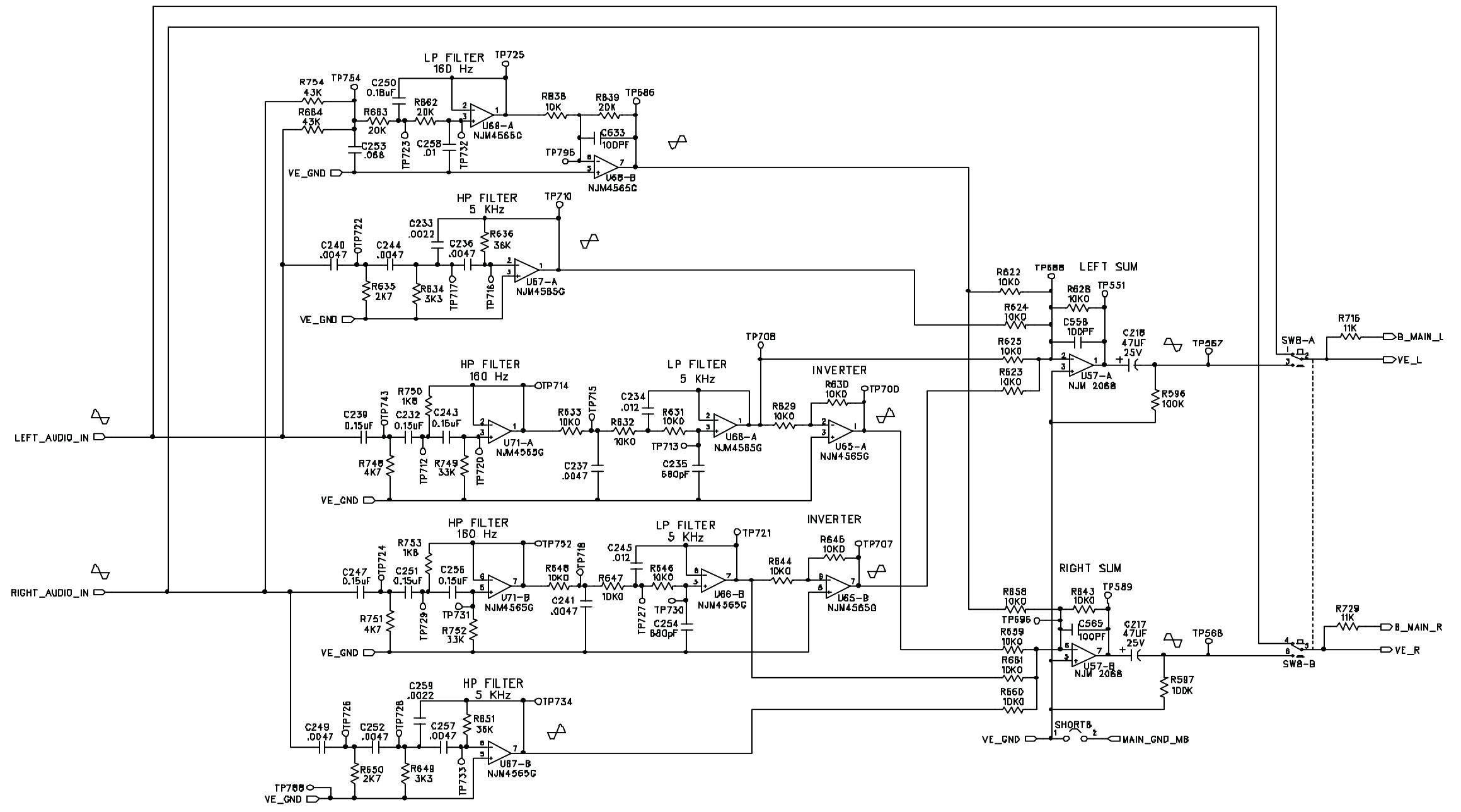
SIZE: D	SCALE: NONE	DWG. NO. 990-396-00	REV. B
DWB FILE:		SHEET 9 OF 12	



MACKIE
Mackie Designs Inc. Woodinville, Wa.

SCHMATIC,
DFX-12: EFX/RETURNS

SIZE: D	SCALE: NONE	DWG. NO. 990-396-00	REV. B
DWB FILE:		SHEET 10 OF 12	



MACKIE
Mackie Designs Inc. Woodinville, Wa.

SCHMATIC,
DFX-12: VOCAL ELIMINATOR

SIZE: D	SCALE: NDNE	DWG. NO.: 990-396-00	REV.: B
DWG FILE:		SHEET 11 OF 12	

D

D

C

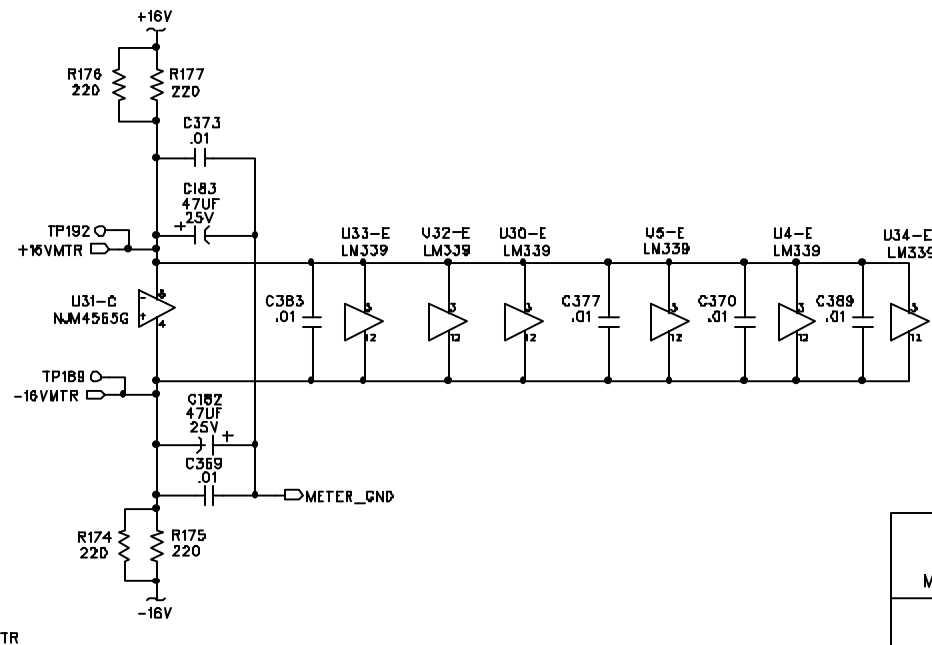
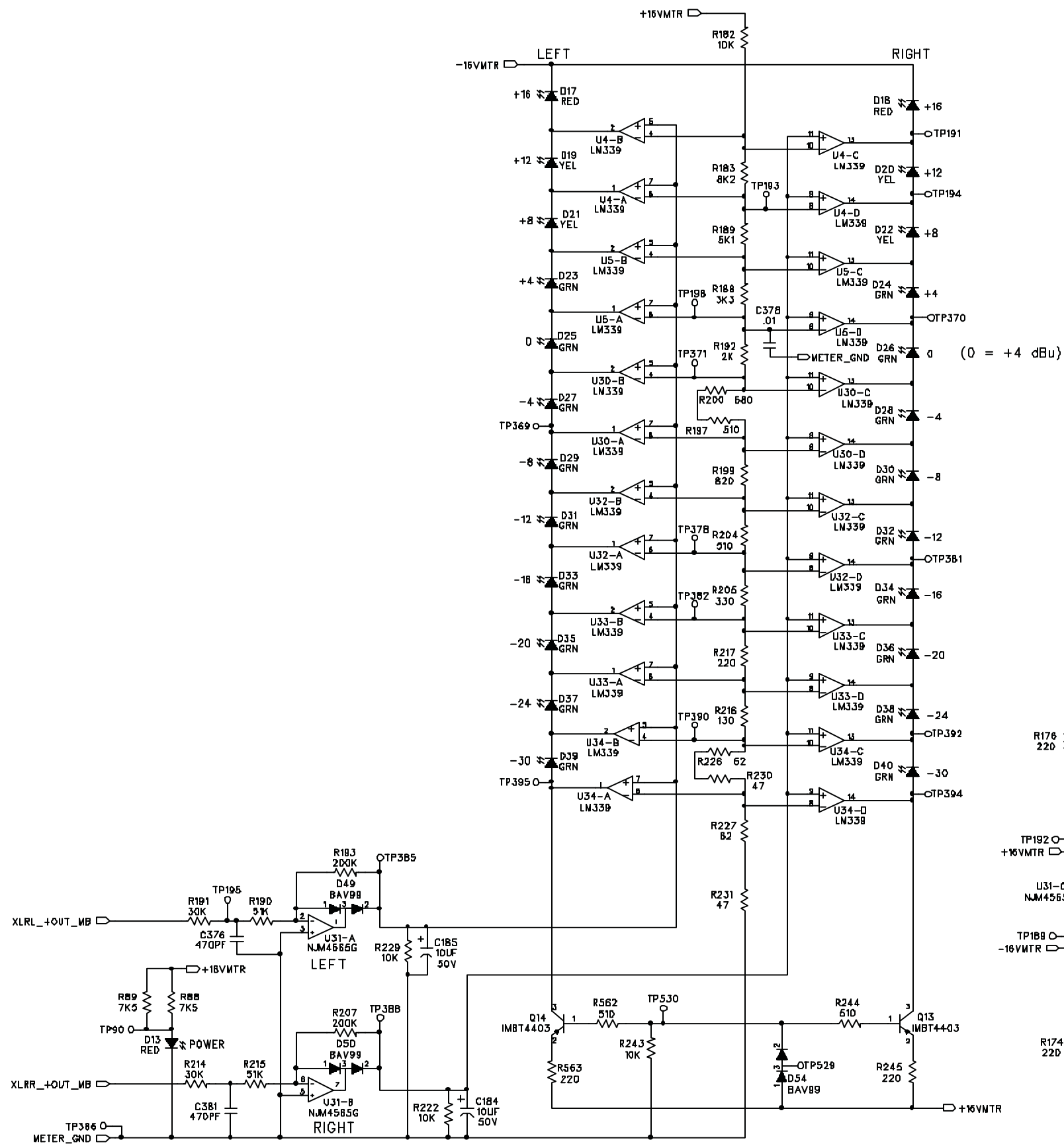
C

B

B

A

A



MACKIE
Mackie Designs Inc. Woodinville, Wa.

SCHEMATIC,
DFX-12: METER

SIZE: D	SCALE: NONE	DWG. NO. 990-396-00	REV. B
DWB FILE:		SHEET 12 OF 12	