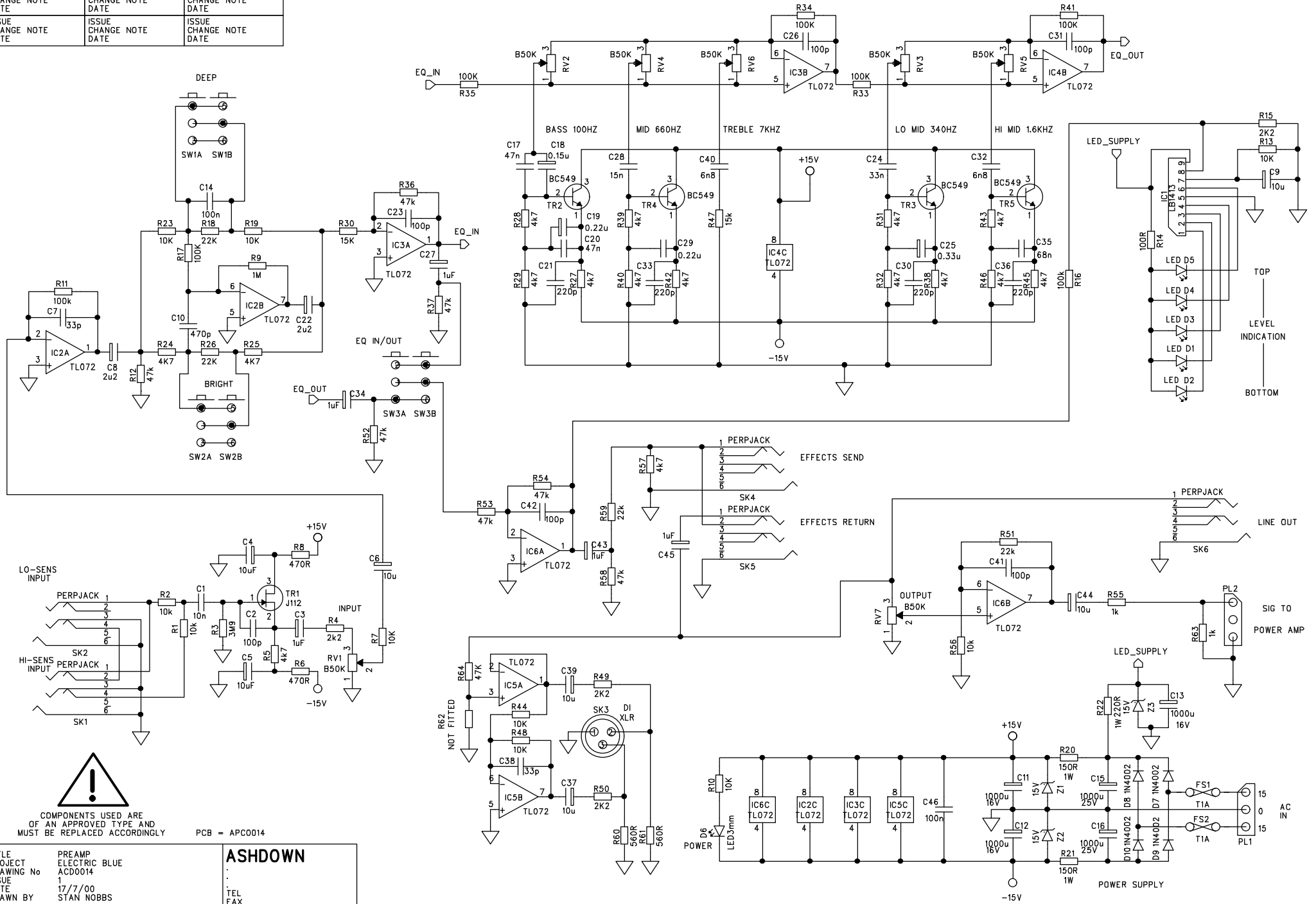


ISSUE CHANGE NOTE DATE	ISSUE CHANGE NOTE DATE	ISSUE CHANGE NOTE DATE
ISSUE CHANGE NOTE DATE	ISSUE CHANGE NOTE DATE	ISSUE CHANGE NOTE DATE

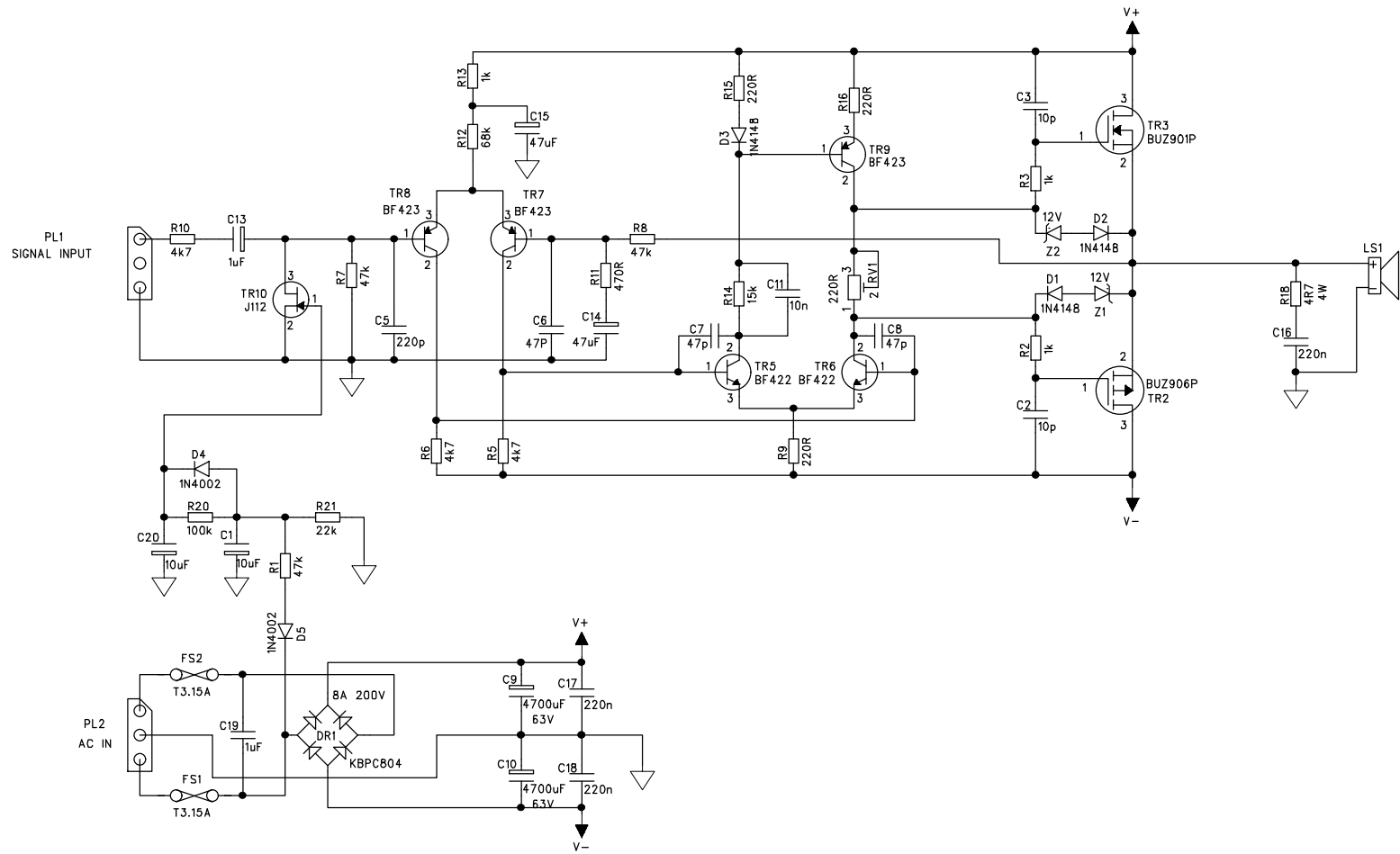


COMPONENTS USED ARE OF AN APPROVED TYPE AND MUST BE REPLACED ACCORDINGLY

PCB = APC0014

TITLE	PREAMP	<b>ASHDOWN</b>
PROJECT	ELECTRIC BLUE	
DRAWING No	ACD0014	
ISSUE	1	
DATE	17/7/00	
DRAWN BY	STAN NOBBS	TEL FAX

ISSUE CHANGE NOTE DATE	ISSUE CHANGE NOTE DATE	ISSUE CHANGE NOTE DATE
ISSUE CHANGE NOTE DATE	ISSUE CHANGE NOTE DATE	ISSUE CHANGE NOTE DATE



PCB = APC015

TITLE 120 WATT OUTPUT STAGE  
 PROJECT ELECTRIC BLUE  
 DRAWING No ACD015  
 ISSUE 1  
 DATE 17/7/2000  
 DRAWN BY STAN NOBBS

**ASHDOWN**  
 .  
 ENGLAND  
 TEL  
 FAX



COMPONENTS USED ARE  
 OF AN APPROVED TYPE AND  
 MUST BE REPLACED ACCORDINGLY