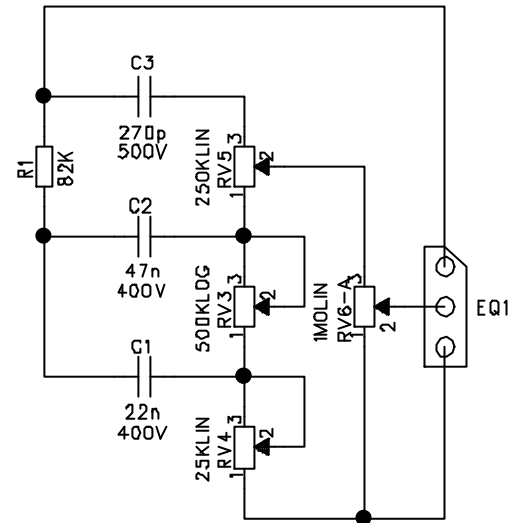
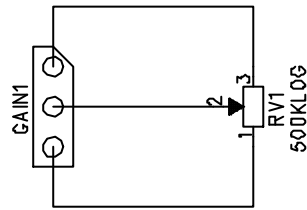
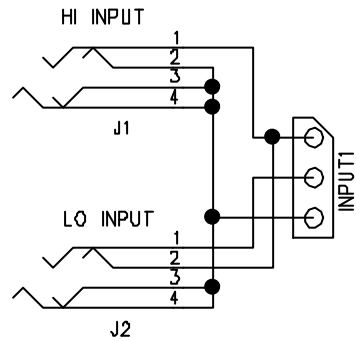


ISSUE CHANGE NOTE DATE	ISSUE CHANGE NOTE DATE	ISSUE CHANGE NOTE DATE
ISSUE CHANGE NOTE DATE	ISSUE CHANGE NOTE DATE	ISSUE CHANGE NOTE DATE

ORANGE AD200 FRONT PANEL



COMPONENTS USED ARE
OF AN APPROVED TYPE AND
MUST BE REPLACED ACCORDINGLY

Circuit Design by Adrian Emsley

TITLE PROJECT DRAWING No ISSUE DATE DRAWN BY	FRONT PANEL ORANGE AD200 OCD00201 14 March 2003 Paul Stevens	ORANGE Denmark Street LONDON GREAT BRITAIN Tel: +44 (0) 207 240 7696
---	--	---

FOR USE WITH OPC201