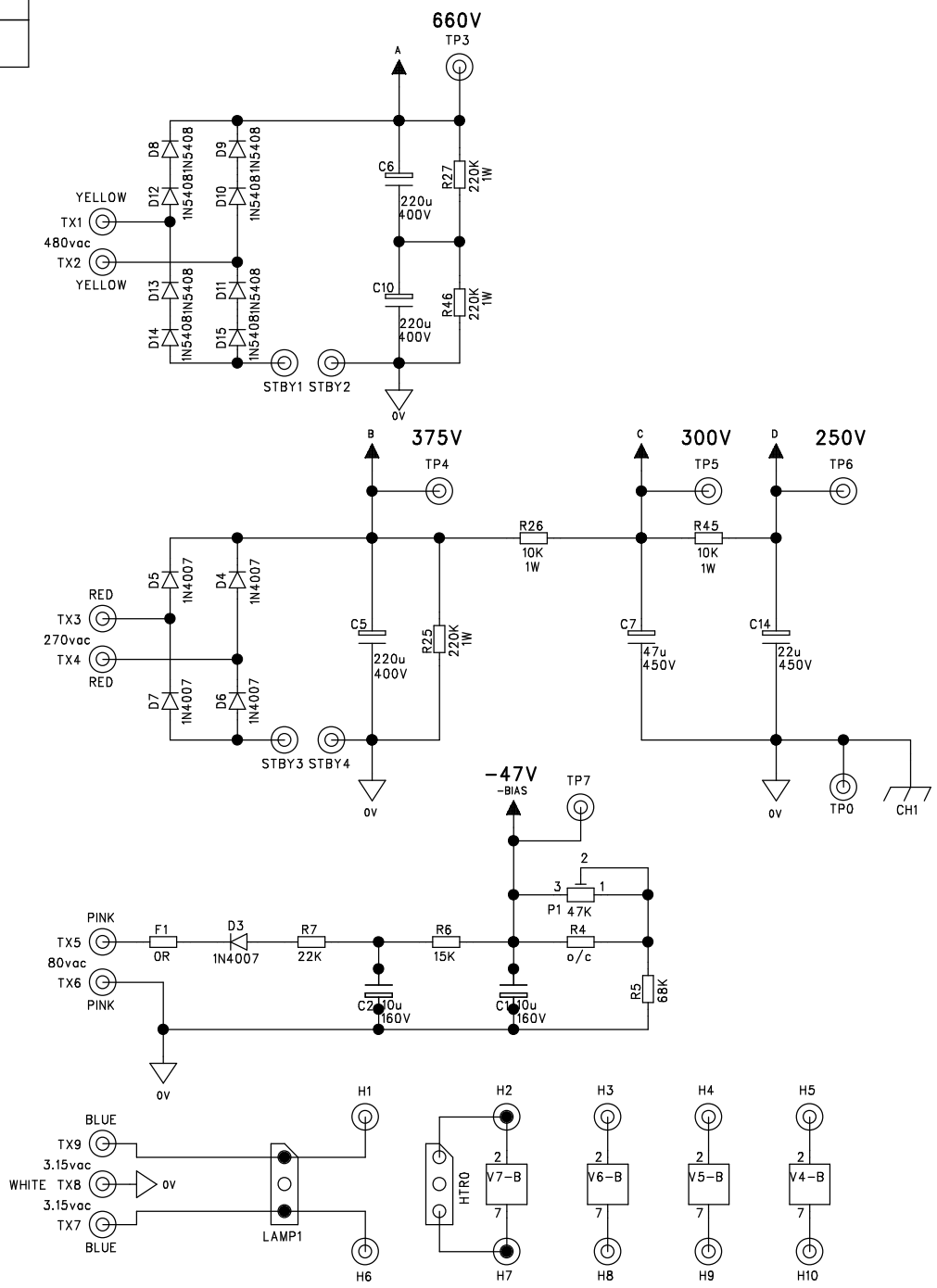

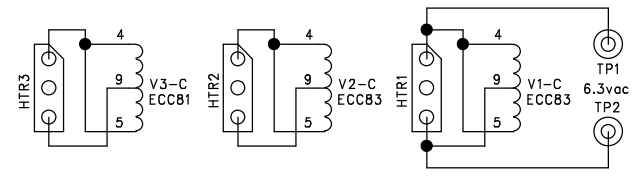


ISSUE CHANGE NOTE DATE	ISSUE CHANGE NOTE DATE	ISSUE CHANGE NOTE DATE
ISSUE CHANGE NOTE DATE	ISSUE CHANGE NOTE DATE	ISSUE CHANGE NOTE DATE




 COMPONENTS USED ARE OF AN APPROVED TYPE AND MUST BE REPLACED ACCORDINGLY

HEATERS CONNECTED WITH TWISTED 7/0.2 WIRE ON 3 WAY IDC SOCKETS



SHEET 2/2

TITLE PROJECT DRAWING No ISSUE DATE DRAWN BY	MAIN BOARD ORANGE AD200 OGD00200 A 14 March 2003 Paul Stevens	ORANGE 28 Denmark Street LONDON WC2H 8NJ ENGLAND Tel: +44 (0) 20 7240 8292 Fax: +44 (0) 20 7240 8112
--	---	--

ALL TEST POINT VOLTAGES ARE DC WITH RESPECT TO TP0 0V EXCEPT WHERE OTHERWISE INDICATED. BIAS FULLY ANTI-CW TOLERANCE +/- 10%