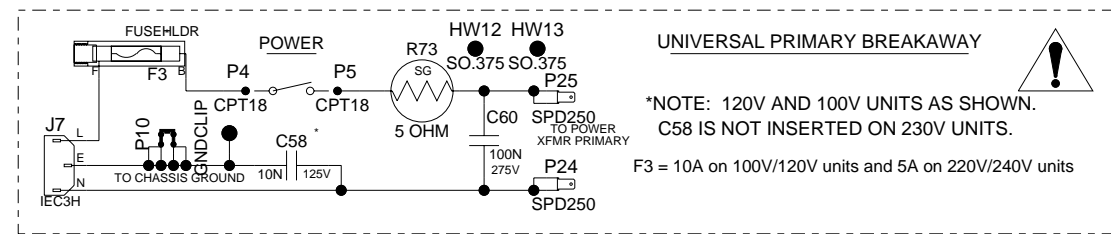
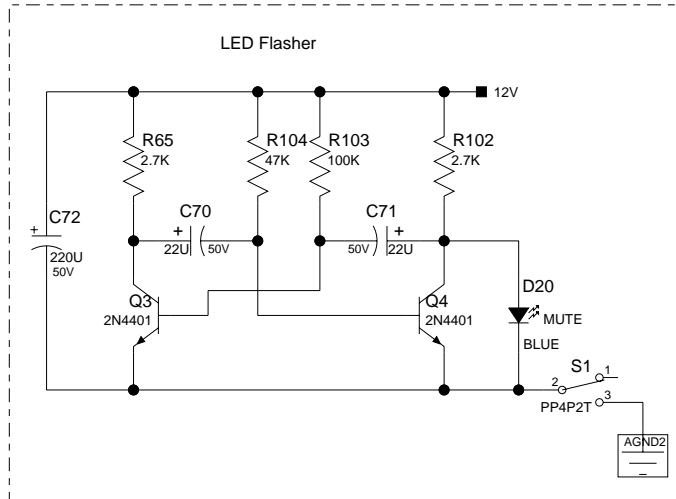
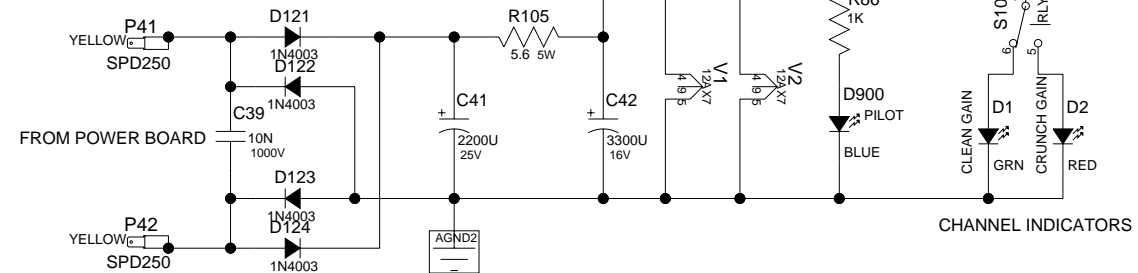
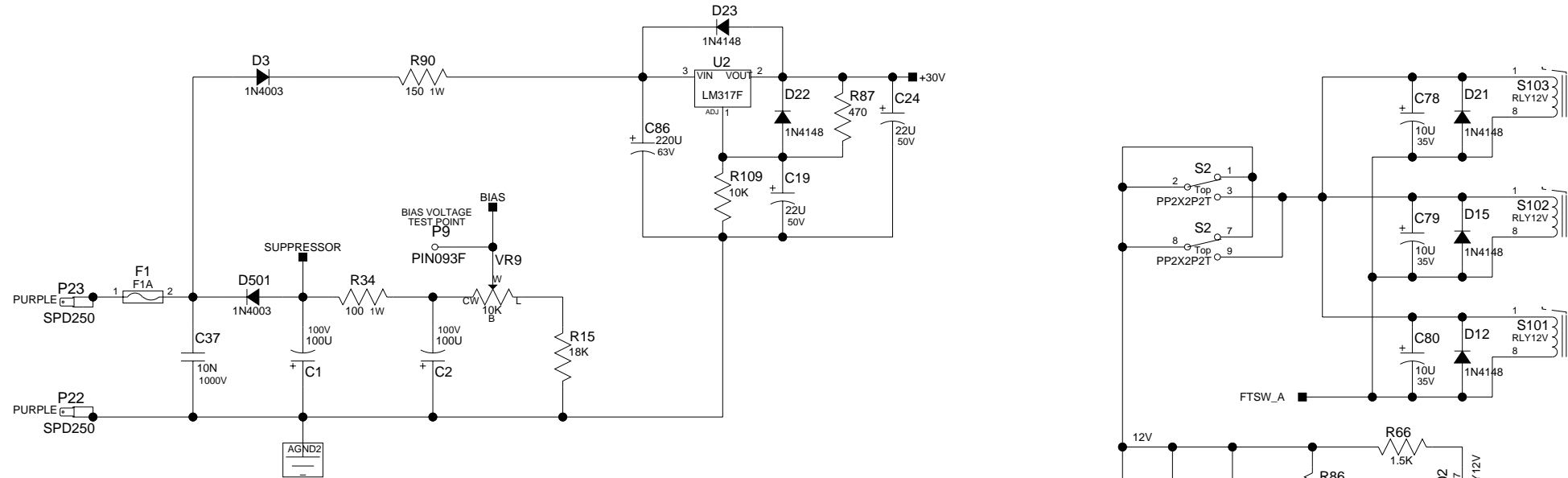


REV	Eng	Date:	Revision Description	ECN#
A				
B				
C				
D				
E				
F				

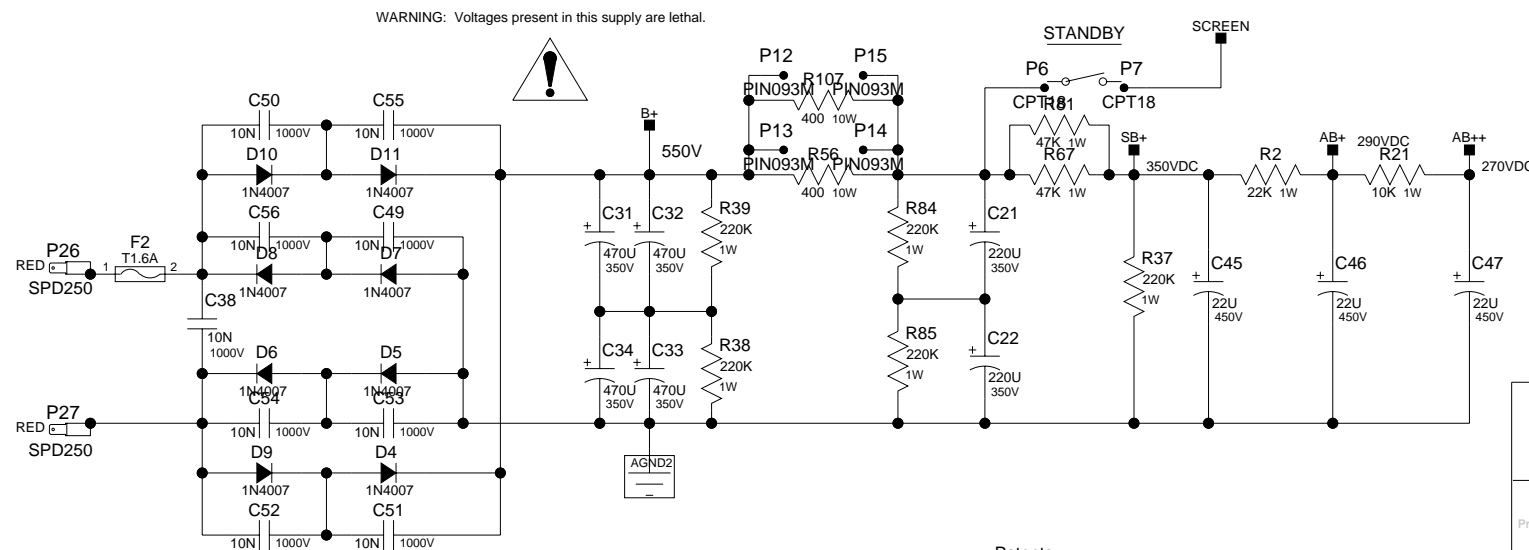


INDEX

SHEET	DESCRIPTION
1	TITLE / POWER SUPPLY
2	PRE / POWER AMP
3	PATCH BOARD



WARNING: Voltages present in this supply are lethal.



Note: All thru hole Resistors are 1/4 Watt unless otherwise indicated.
All SMT 1206 Resistors are 1/4 Watt.
All SMT 0805 Resistors are 1/10 Watt.
Note Capacitor Values are indicated as Follows:
val P = pF (picoFarads) val * 10 exp-12
val N = nF (nanoFarads) val * 10 exp-9 (1N=1000pF, 100N=0.1uF)
val U = uF (microFarads) val * 10 exp-6

Company Proprietary Information

Peavey
Peavey Electronics Corp.
P. O. Box 2898
Meridian, MS 39301

Product: **225_WATT**

Project Number: _____

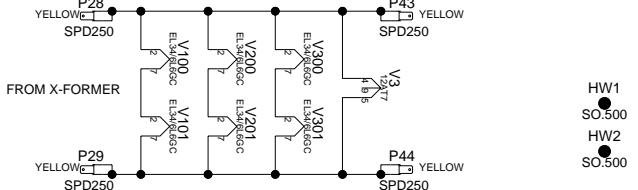
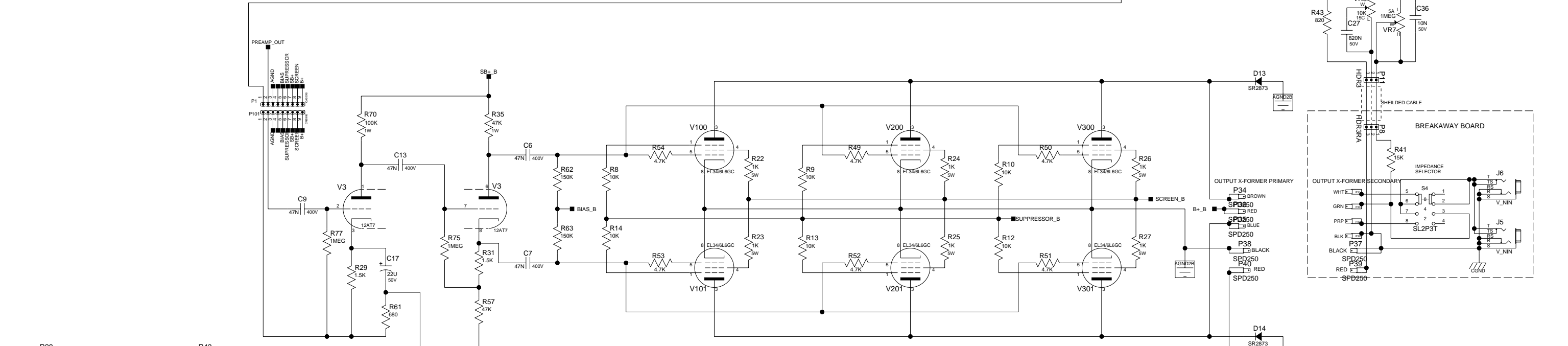
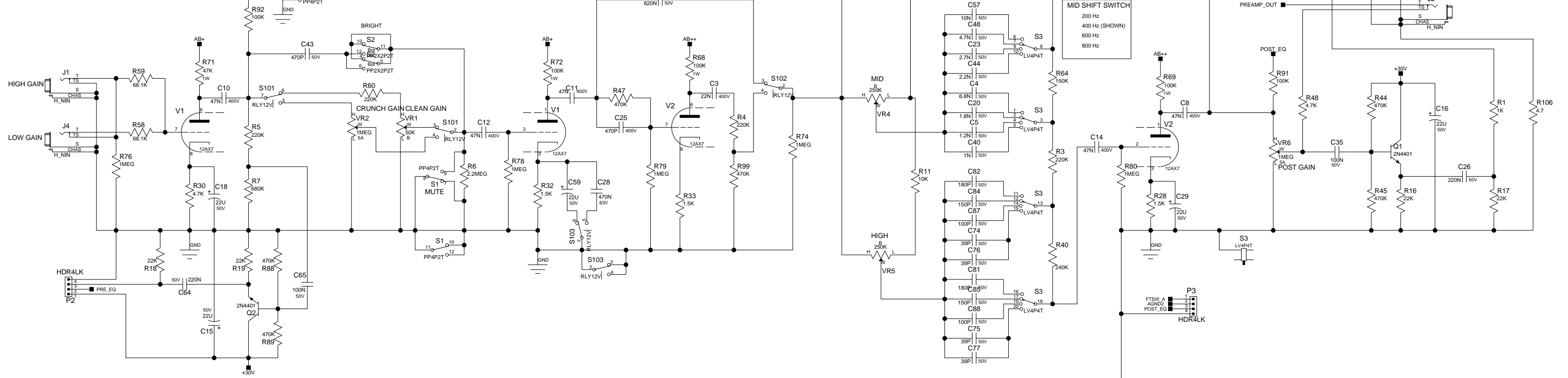
Eng: RBB Release Date: _____

Sheet 1 of 3 Saved: 8-27-2008_10:34

Patents:

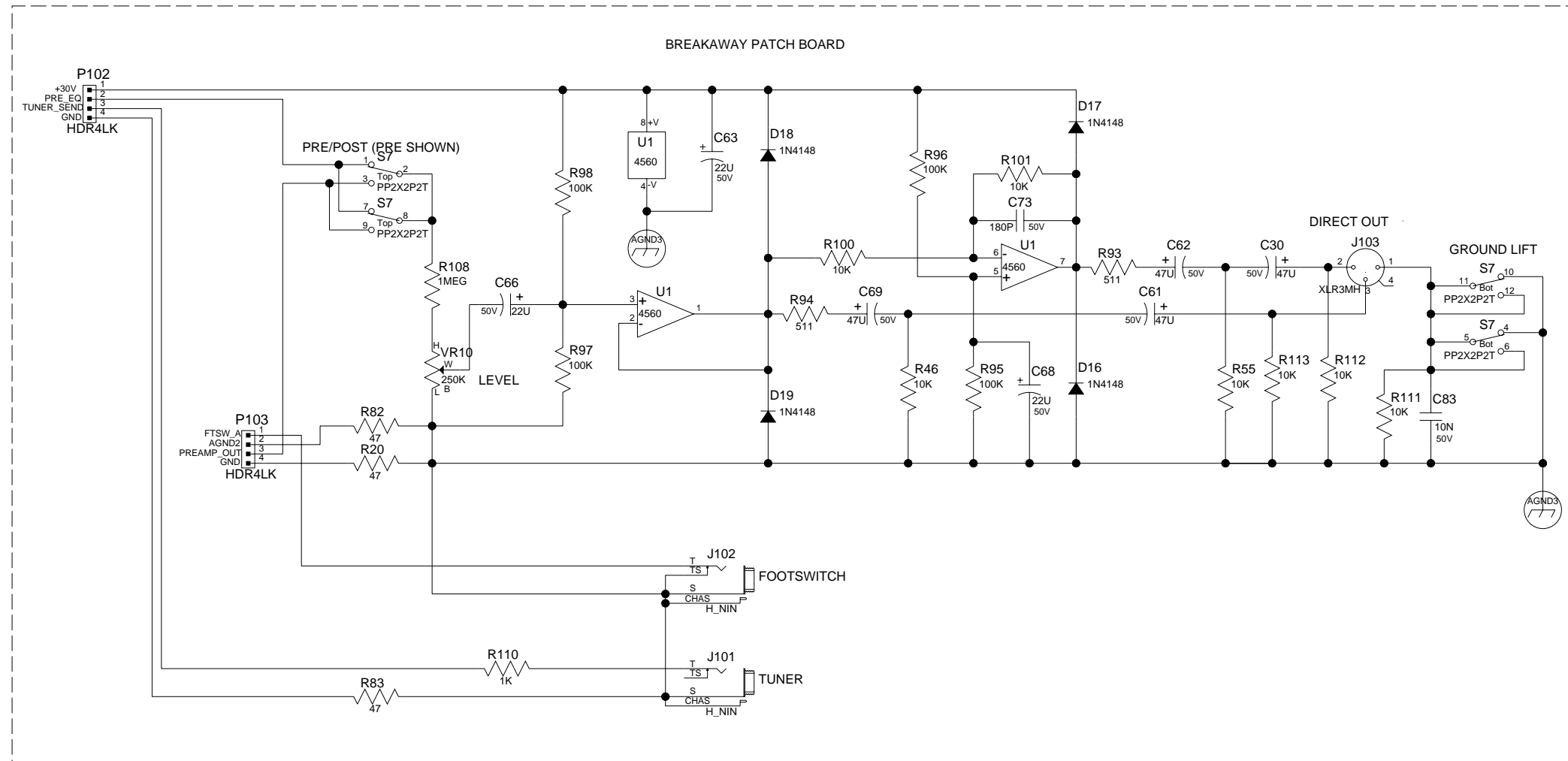
Copyright Peavey Electronics Corporation 2008.

- HW11 ● SO.375
- HW9 ● SO.375
- HW4 ● SO.375
- HW6 ● SO.375
- HW10 ● SO.375
- HW8 ● SO.375
- HW5 ● SO.375
- HW7 ● SO.375

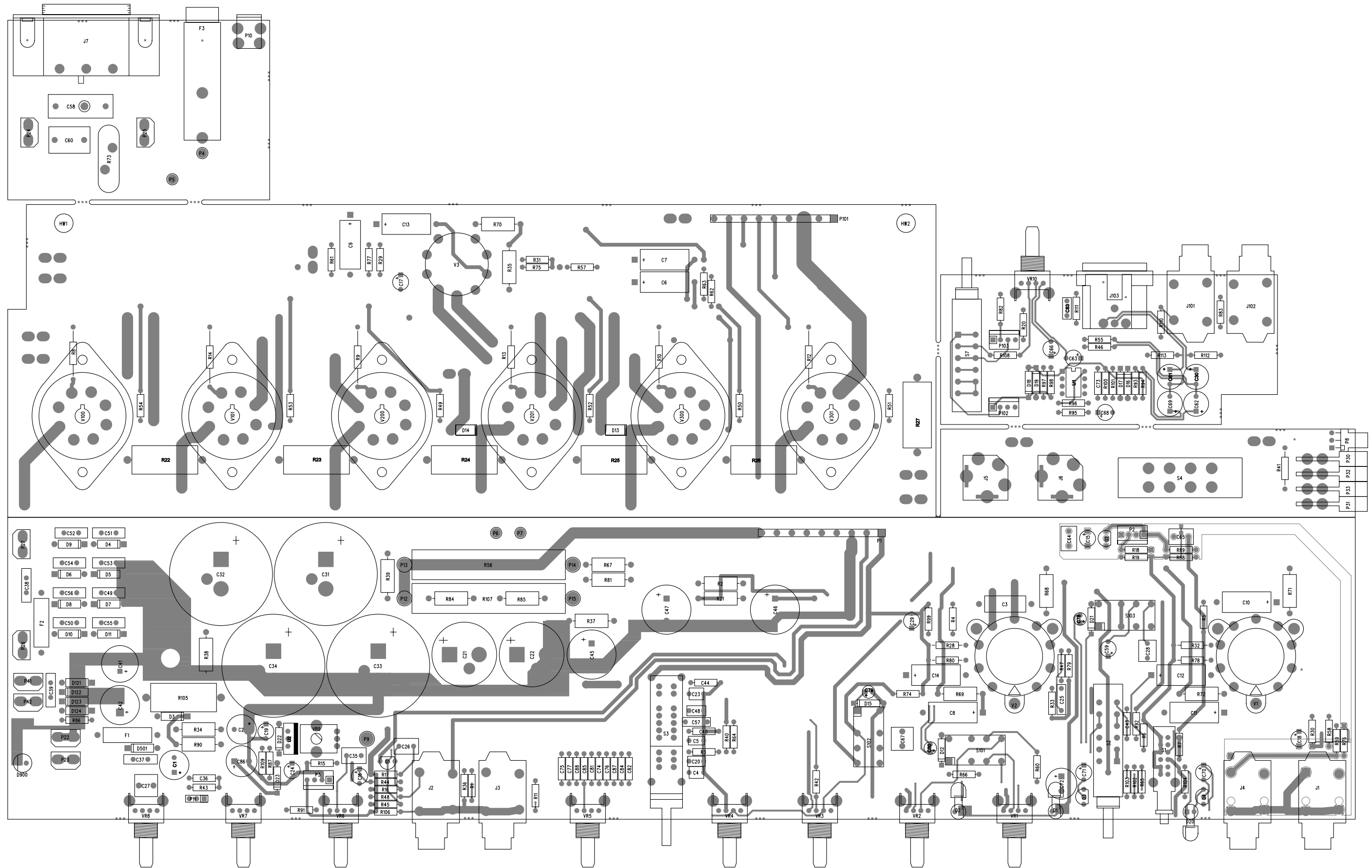


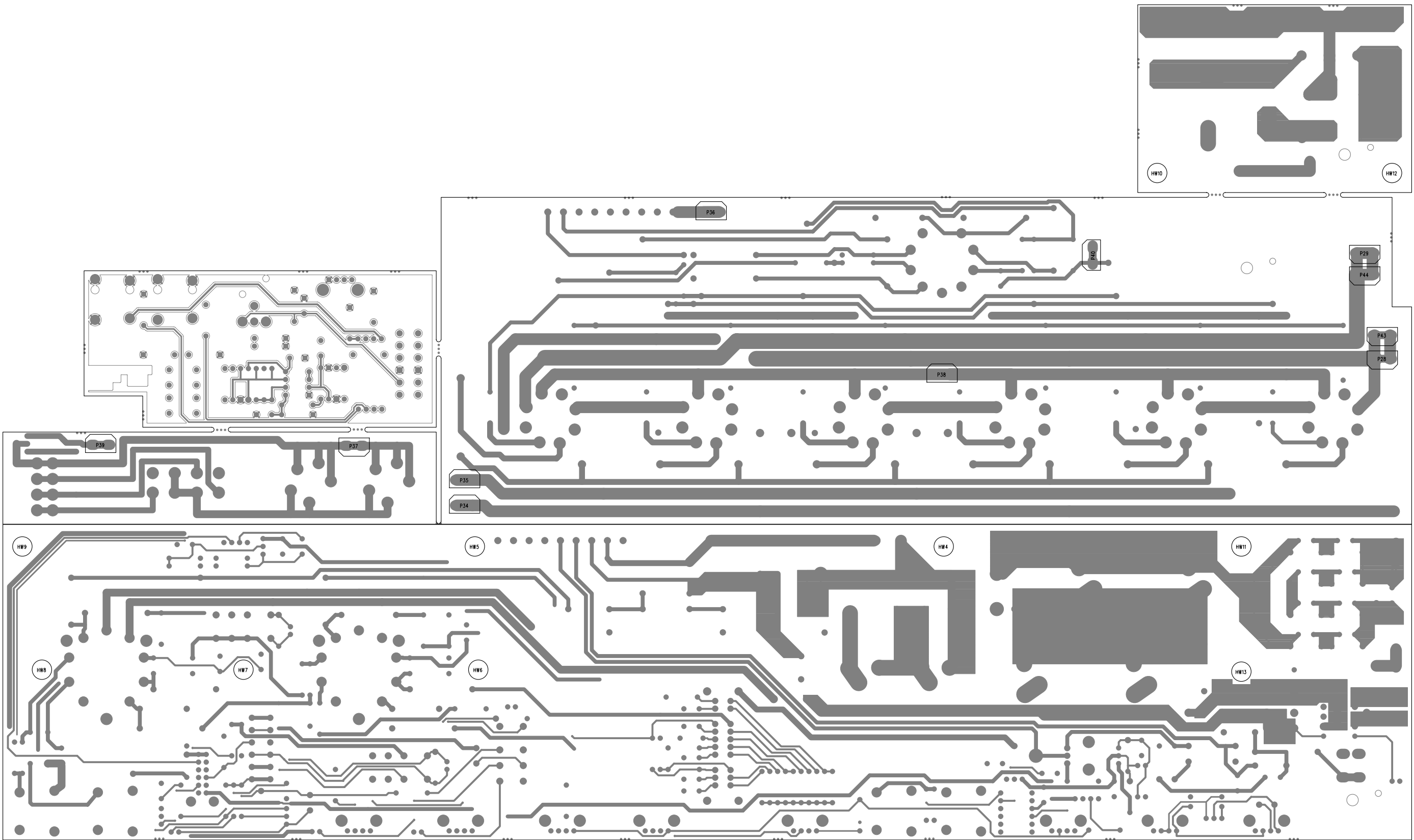
- HW1 ● SO.500
- HW2 ● SO.500





Title: **225_WATT**
 Sheet Title: **PATCH BOARD**
 Designed By: **Bobby Baldwin**
 Sheet 3 of 3 Date: 8-27-2008_10:34





BILL OF MATERIAL REPORT

REPORT DATE/TIME: 8/27/2008 10:45:36 AM

BOARD NAME: VB-2 AMP Domestic ASSEMBLY LEVEL NUMBER: 29095563

PROJECT NUMBER: P0600006 DESIGNER: LFL

Qty.	Part #	Description	Reference Designators

--			
1	30210003	100 1W 5% MO AXL	R34
4	30210004	47K 1W 5% MO AXL	R35 R67 R71 R81
1	30210005	22K 1W 5% MO AXL	R2
5	30210008	220K 1W 5% MO AXL	R37 R38 R39 R84 R85
1	30210012	150 1W 10% MO AXL	R90
4	30210017	100K 1W 5% MO AXL	R68 R69 R70 R72
1	30210018	10K 1W 5% MO AXL	R21
1	30240015	470 1/4W 5% CF AXL	R87
1	30240016	680 1/4W 5% CF AXL	R61
2	30240017	1K 1/4W 5% CF AXL	R1 R86
6	30240018	1500 1/4W 5% CF AXL	R28 R29 R31 R32 R33 R66
1	30240019	820 1/4W 5% CF AXL	R43
2	30240021	2700 1/4W 5% CF AXL	R65 R102
8	30240023	4700 1/4W 5% CF AXL	R30 R48 R49 R50 R51 R52 R53 R54
13	30240025	10K 1/4W 5% CF AXL	R8 R9 R10 R11 R12 R13 R14 R46 R55 R109 R111 R112 R113
1	30240027	15K 1/4W 5% CF AXL	R41
1	30240028	18K 1/4W 5% CF AXL	R15

4	30240029	22K	1/4W	5%	CF	AXL	R16 R17 R18 R19
2	30240031	47K	1/4W	5%	CF	AXL	R57 R104
8	30240034	100K	1/4W	5%	CF	AXL	R42 R91 R92 R95 R96 R97 R98 R103
3	30240035	150K	1/4W	5%	CF	AXL	R62 R63 R64
4	30240036	220K	1/4W	5%	CF	AXL	R3 R4 R5 R60
6	30240038	470K	1/4W	5%	CF	AXL	R44 R45 R47 R88 R89 R99
7	30240039	1M	1/4W	5%	CF	AXL	R74 R75 R76 R77 R78 R79 R80
1	30240040	2.2M	1/4W	5%	CF	AXL	R6
1	30240064	3.9M	1/4W	5%	CF	AXL	R36
1	30240065	680K	1/4W	5%	CF	AXL	R7
3	30240090	47	1/4W	5%	FP	AXL	R20 R82 R83
1	30240094	4.7	1/4W	10%	FP	AXL	R106
1	30240210	5 OHM	12A			INRUSH LIMITER	R73
2	30241050	10K	1/4W	1%	MF	AXL	R100 R101
2	30241070	68.1K	1/4W	1%	MF	AXL	R58 R59
1	30241077	1K	1/4W	1%	MF	AXL	R110
2	30241083	511	1/4W	1%	MF	AXL	R93 R94
1	30241094	240K	1/4W	5%	CF	T&R	R40
1	30241118	1M	1/4W	1%	MF	AXL	R108
2	30250019	400	10W	10%	FP	AXLH	R56 R107
3	30320099	0.01UF	1000V	80-20%		Z5U	C37 C38 C39
1	30320104	0.01UF	125V	20%	"X"	RADH	C58
9	30320105	0.047UF	400V	10%	PES	AXL	C6 C7 C8 C9 C10 C11 C12 C13 C14
4	30320117	47UF	50V	20%	EL	RADH	C30 C61 C62 C69

3	30320144	10UF	35V	20%	EL	RADH	C78	C79	C80	
13	30320181	22UF	50V	20%	EL	RAD	C15	C16	C17	C18
							C19	C24	C29	C59
							C63	C66	C68	C70
							C71			
1	30320187	220UF	50V	20%	EL	RAD	C72			
1	30320234	0.01UF	50V	2%	PE	RADH	C57			
8	30320248	0.01UF	1000V	80-20%	Z5U	RAD	C49	C50	C51	C52
							C53	C54	C55	C56
1	30320283	0.022UF	400V	10%	PE	AXL	C3			
1	30320303	2700PF	50V	5%	PE	RAD	C23			
1	30320305	220UF	63V	20%	EL	RAD	C86			
1	30320335	3300UF	16V	20%	EL	RADH	C42			
3	30320339	22UF	450V	20%	EL	RADH	C45	C46	C47	
2	30320512	220UF	350V	20%	EL	SNPHT3	C21	C22		
1	30320556	0.1UF	275V	10%	"X"	RADH	C60			
1	30320565	2200UF	25V	20%	EL	LOW ESR	C41			
1	30320569	470PF	400V	20%	PP	RADH	C25			
2	30320624	100UF	100V	20%	EL	RAD	C1	C2		
4	30320661	470UF	350V	20%	EL	SNPHT3	C31	C32	C33	C34
1	30330116	4700PF	50V	5%	PE	RAD	C48			
1	30330117	6800PF	50V	5%	PE	RAD	C4			
2	30330122	0.82UF	50V	5%	PE	RAD	C27	C67		
1	30330127	1800PF	50V	5%	PE	RAD	C20			
2	30330128	0.22UF	50V	5%	PE	RAD	C26	C64		
2	30330129	0.1UF	50V	5%	PE	RAD	C35	C65		
1	30330131	1200PF	50V	5%	PE	RAD	C5			
1	30330155	0.01UF	50V	5%	PE	RAD	C83			
1	30330159	0.47UF	63V	5%	PES	RAD	C28			

1	30340000	1000PF 50V 10% NPO AXL	C40
1	30340004	2200PF 50V 10% X7R AXL	C44
1	30340011	0.01UF 50V 10% X7R AXL	C36
4	30340052	39PF 50V 5% NPO AXL	C74 C75 C76 C77
2	30340054	100PF 50V 10% NPO AXL	C87 C88
3	30340056	180PF 50V 10% NPO AXL	C73 C81 C82
1	30340058	470PF 50V 10% NPO AXL	C43
2	30340068	150PF 50V 10% NPO AXL	C84 C85
1	30400316	LM317 ADJ VR INSUL TO220F	U2
2	30402873	SR2873 2KV, 250MA DIODE	D13 D14
1	30414560	4560 DUAL OPAMP DIP8	U1
1	30450053	RED T1 LED W/STOP LEAD	D2
1	30450054	GRN T1 LED W/STOP LEAD	D1
1	30450066	BLUE T1 3/4 LED S-BRT BULK	D900
1	30450868	BLUE T1 LED W/STOP LEAD	D20
4	30463919	2N4401 NPN TO92 RAD	Q1 Q2 Q3 Q4
6	30464003	1N4003 200V 1A SI DIODE	D3 D121 D122 D123 D124 D501
8	30464007	1N4007 1KV, 1A, SI DIODE	D4 D5 D6 D7 D8 D9 D10 D11
9	30464148	1N4148 75V 10MA DIODE	D12 D15 D16 D17 D18 D19 D21 D22 D23
1	30806631B	TUBE SKT 9PIN CERAMIC	V3
6	30806632	TUBE SKT OCTAL 6L6GC	V100 V101 V200 V201 V300 V301
2	30806633	TUBE SKT 9PIN SNAP-IN CERAMIC	V1 V2
1	30901244	1A FUSE 5X15MM PIG TAIL T&R	F1
1	30901428	PWR INLET, RA SCREW MT PC RA GND	J7
1	30901429	EXT. FUSEHOLDER, PC MT	F3

1	30901785	SCREW TERM, 6-32 -PCB MT	P10
2	30901859	STND .500 T4-40, SW, AL, ST	HW1 HW2
10	30901890	STND .375 T4-40SW, AL, ST	HW4 HW5 HW6 HW7 HW8 HW9 HW10 HW11 HW12 HW13
1	30905025	FUSE, 1.6A--2AG--S/B--T&R	F2
1	31190256	10KB SNGL 9MM VER	VR9
1	31190902	10K15C SNGL 12MM HOR	VR8
1	31190905	50KB SNGL 12MM DET HOR	VR1
4	31190908	250KB SNGL 12MM HOR	VR3 VR4 VR5 VR10
3	31190910	1M5A SNGL 12MM HOR	VR2 VR6 VR7
2	31322256	SWITCH 2XDPT PP 3.3 PC H	S2 S7
3	31322277	RELAY 12V DPDT .5A	S101 S102 S103
1	31322328	SWITCH 2P3T SLIDE PC V	S4
1	31322342	SWITCH 4PDT PP 2.8MM PC H	S1
1	31322461	SWITCH 4P4T RA LEVER PC H	S3
2	31466217	STEREO HID JACK NINS W/SPD	J5 J6
2	31466322	JACK, MONO R/A 1/4" 6.5MM NINS	J101 J102
1	31466442	MXLR NC3MAH A-SER HORZ	J103
4 J4	31466512	JACK, MONO R/A 1/4" 6.5MM NINS FULL THREADS	J1 J2 J3
1	31600259	5.6 5W 10% WW AXLH SL	R105
6	31600265	1K 5W 10% WW AXLH SL	R22 R23 R24 R25 R26 R27
1	33711811	PIN-F .093 MOLEX PC-MNT	P9
4	33711812	PIN-M .093 MOLEX PC-MNT	P12 P13 P14 P15
4	33713813	WR-TO-BD CRIMP TERM 18GA	P4 P5 P6 P7
8	33716194	SPADE .250 PC MNT .093	P22 P23 P24 P25 P26 P27 P41 P42

4	33716927	.250 PC MNT R/A SPADE	P30 P31 P32 P33
4	33717015	4 HDR V SR .100" TIN LK	P2 P3 P102 P103
1	33717052	3 HDR V SR .100" TIN	P11
1	33719080	3 HDR H SR .100" TIN LK	P8
11	33719167	SPADE .250 PC MNT BULK	P28 P29 P34 P35 P36 P37 P38 P39 P40 P43 P44
2	70600518	9C .200 STRP STRP 6" JMP	P1 P101
1	PCB_PAD100	PCB PAD .100" OD .053" ID	HW3
1	TAB_VCI	????????????????????????????????	TB1

 END OF BILL OF MATERIAL REPORT
