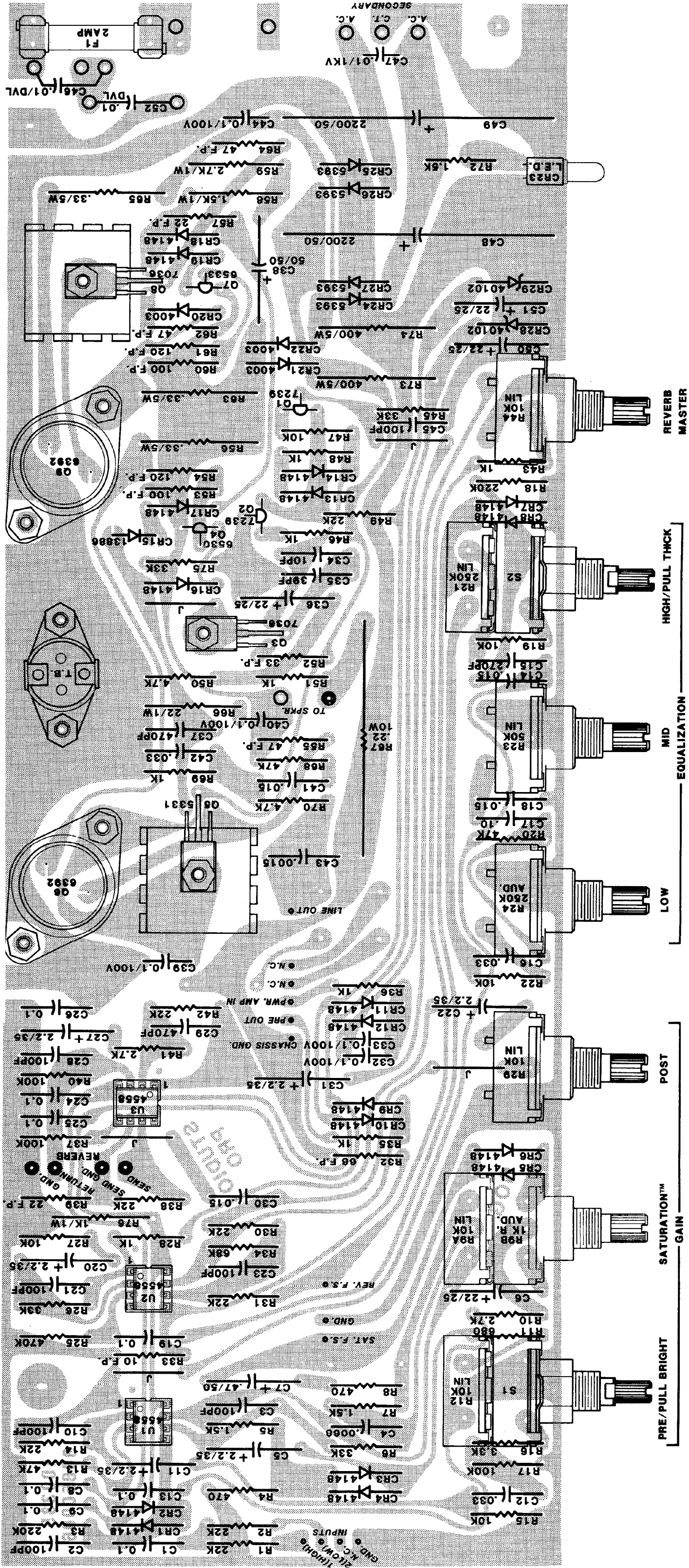


**STUDIO PRO® 50**  
 BD. # 98850000 (4/20/82)

**NOTES**  
 ALL POTS ARE LINEAR UNLESS NOTED  
 ALL RESISTORS 1/4W UNLESS NOTED  
 ALL RESISTORS IN OHMS UNLESS NOTED  
 ALL CAPACITORS IN MFD UNLESS NOTED  
 ALL DIODES IN4148 UNLESS NOTED  
 LAST REF. DESIGNATOR USED:  
 R76 C52 CR29 Q9 J7 S3 T2 F1  
 BUILT UNDER U.S. PATENT NO. 4,405,832

PEAVEY® ELECTRONICS CORP.  
 MERIDIAN, MS  
 DRAWN BY *DB* DATE 10/1/85  
 C.B. CHECK *DB*  
 CHECK BY *JCB*  
 APPR. BY *JCB*

P/N 81501021



STUDIO PRO® 50

REVERB MASTER

HIGH/PULL THICK

MID

LOW

POST

SATURATION GAIN

PRE/PULL BRIGHT