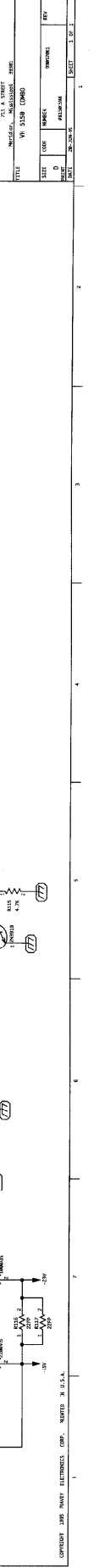
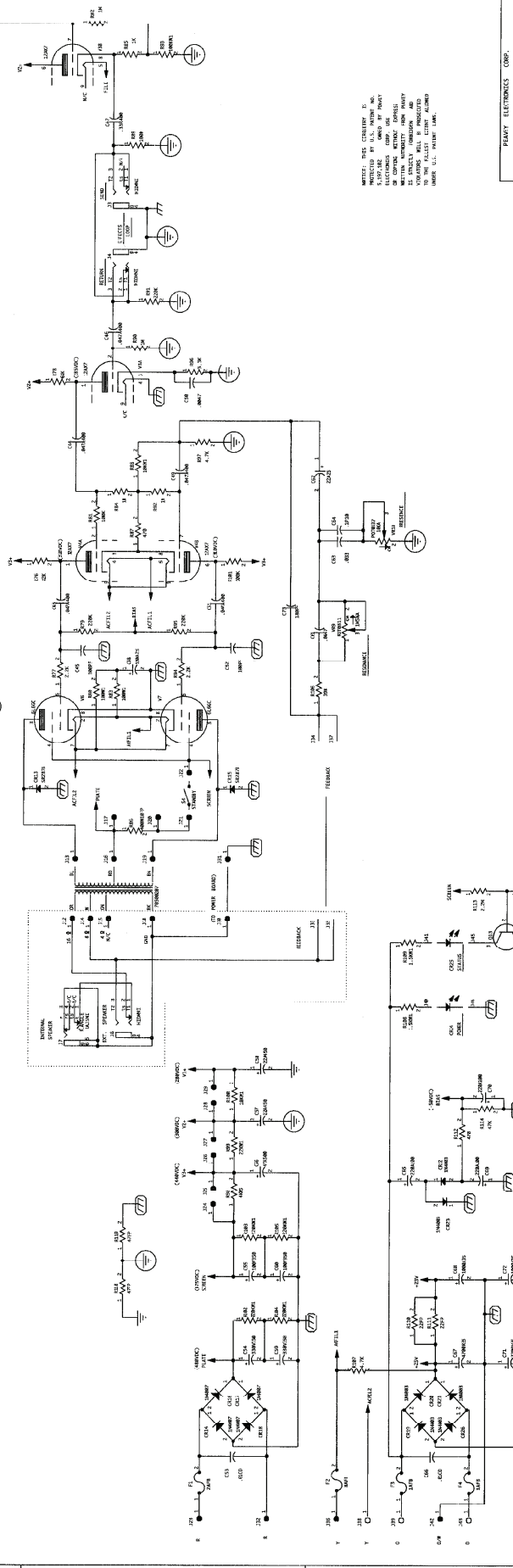
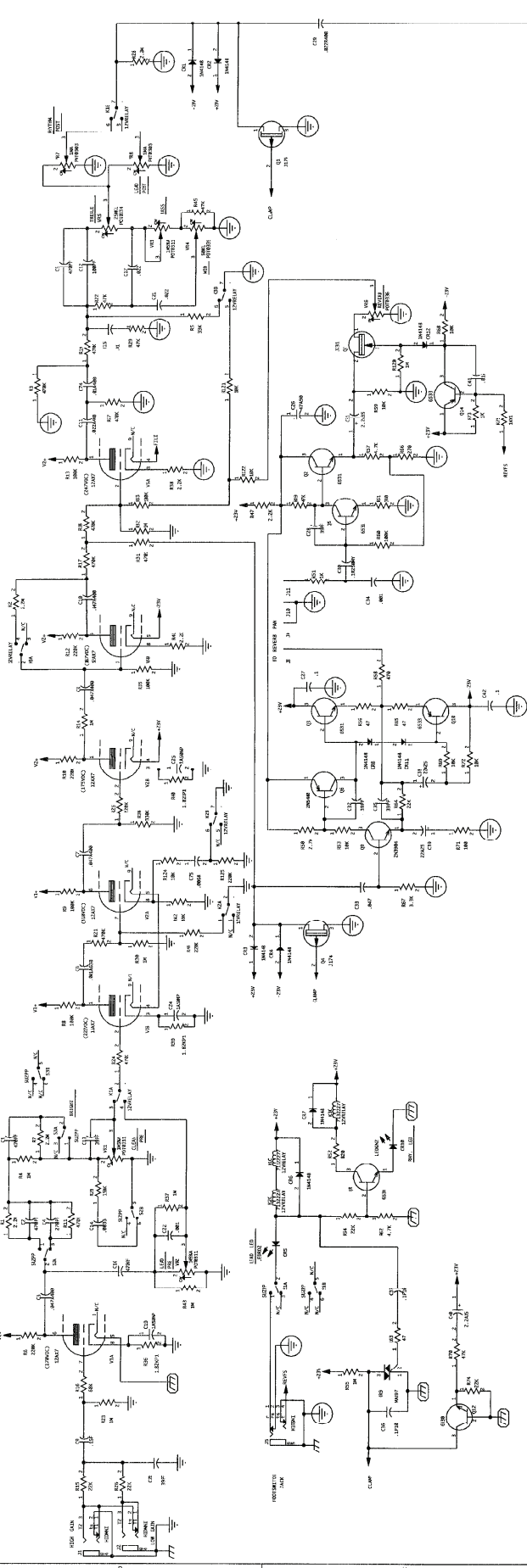


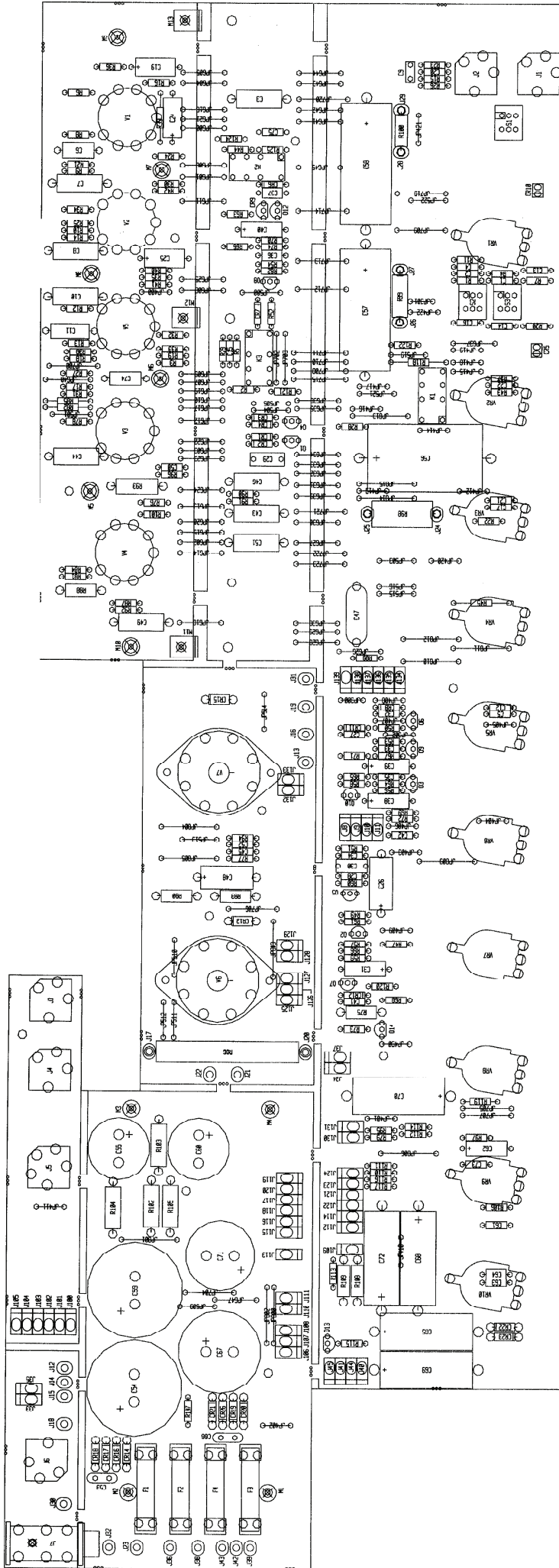
1ST STAGE: HIGH GAIN, LOW NOISE, LOW DISTORTION, LOW SWR, LOW VSWR



NOTES: THIS CIRCUIT IS
 DESIGNED BY G. S. BROWN, JR.
 ELECTRONIC CORP. OF
 WASHINGTON, D. C.
 WRITING MATERIAL AND PARTS
 LISTING WILL BE FURNISHED
 UPON REQUEST. ALL RIGHTS RESERVED.
 © 1958 G. S. BROWN, JR.

ELECTRONIC CORP.	
TITLE: RECEIVER, AMPLIFIER STAGE	
DATE: 10-1-58	DESIGNER: G. S. BROWN, JR.
REV: 1	PROJECT: 100-100
BY: G. S. BROWN, JR.	CHECKED: []
APP: []	DATE: 10-1-58

COMPONENTS LIST: RESISTORS, CAPACITORS, TRANSFORMERS, TUBES, COILS, CONNECTORS, WIRE, SOLDER, BREADBOARD, TEST EQUIPMENT



VH 5150 CCMB0

1	2.2K	70240036	2.2K-1/4W-5%-CF-TER	R25	220K-1/4W-5%-CF-TER	1	2.2K	70240036	220K-1/4W-5%-CF-TER	379		
1	2K	70240029	2.2K-1/4W-5%-CF-TER	R26	2.2K-1/4W-5%-CF-TER	1	100W1	70210003	100-1W-5%-MO-TER	380		
1	47K	70240038	470K-1/4W-5%-CF-TER	R27	470K-1/4W-5%-CF-TER	1	100K	70240034	100K-1/4W-5%-CF-TER	383		
1	2.2K	70240040	2.2K-1/4W-5%-CF-TER	R28	2.2K-1/4W-5%-CF-TER	1	1K	70440033	1K-1/4W-5%-CF-TER	382		
1	47K	70240031	470K-1/4W-5%-CF-TER	R29	470K-1/4W-5%-CF-TER	1	100W1	70110001	100-1W-5%-MO-TER	384		
1	1K	70240039	1K-1/4W-5%-CF-TER	R30	1K-1/4W-5%-CF-TER	1	1K	70440033	1K-1/4W-5%-CF-TER	385		
1	47K	70240038	470K-1/4W-5%-CF-TER	R31	470K-1/4W-5%-CF-TER	1	400KLOFP	400KLOFP	70150013	386		
1	100K	70240034	100K-1/4W-5%-CF-TER	R32	100K-1/4W-5%-CF-TER	1	470	70440015	470-1/4W-5%-CF-TER	387		
1	33K	70240037	33K-1/4W-5%-CF-TER	R33	33K-1/4W-5%-CF-TER	1	100W1	70110013	100-1W-5%-MO-TER	388		
1	100K	70240034	100K-1/4W-5%-CF-TER	R34	100K-1/4W-5%-CF-TER	1	100K	70440034	100K-1/4W-5%-CF-TER	389		
1	1.82KPL	70241078	1.82K-1/4W-5%-CF-TER	R35	1.82K-1/4W-5%-CF-TER	1	1K	70440033	1K-1/4W-5%-CF-TER	390		
1	1K	70240039	1K-1/4W-5%-CF-TER	R36	1K-1/4W-5%-CF-TER	1	22K	70440033	22K-1/4W-5%-CF-TER	391		
1	2.2K	70240020	2.2K-1/4W-5%-CF-TER	R37	2.2K-1/4W-5%-CF-TER	1	1K	70440033	1K-1/4W-5%-CF-TER	392		
2	1.82KPL	70241078	1.82K-1/4W-5%-CF-TER	R38	1.82K-1/4W-5%-CF-TER	1	100W1	100W1	70110011	100K-1/4W-5%-MO-TER	394	
1	2.2K	70240020	2.2K-1/4W-5%-CF-TER	R39	2.2K-1/4W-5%-CF-TER	1	2.2K	70440020	2.2K-1/4W-5%-CF-TER	395		
1	3K	70240048	3K-1/4W-5%-CF-TER	R40	3K-1/4W-5%-CF-TER	1	22K	70940036	220K-1/4W-5%-CF-TER	396		
1	1K	70240039	1K-1/4W-5%-CF-TER	R41	1K-1/4W-5%-CF-TER	1	3.3K	70340022	3.3K-1/4W-5%-CF-TER	397		
1	22K	70240036	22K-1/4W-5%-CF-TER	R42	22K-1/4W-5%-CF-TER	1	4.7K	70440023	4.7K-1/4W-5%-CF-TER	398		
1	47K	70240031	470K-1/4W-5%-CF-TER	R43	470K-1/4W-5%-CF-TER	1	4KNS	70500050	4K-5W-1.0%-MO-AXL	397		
1	47K	70240031	470K-1/4W-5%-CF-TER	R44	470K-1/4W-5%-CF-TER	1	22KPL	70110005	22K-1W-5%-MO-TER	399		
1	2.7K	70240021	2.7K-1/4W-5%-CF-TER	R45	2.7K-1/4W-5%-CF-TER	1	10KPL	70110005	10K-1W-5%-MO-TER	400		
1	1K	70240039	1K-1/4W-5%-CF-TER	R46	1K-1/4W-5%-CF-TER	1	100K	70340034	100K-1/4W-5%-CF-TER	401		
1	1K	70240039	1K-1/4W-5%-CF-TER	R47	1K-1/4W-5%-CF-TER	4	220KPL	220KPL	70110008	220K-1/4W-5%-MO-TER	402	
1	820	70240019	820-1/4W-5%-CF-TER	R48	820-1/4W-5%-CF-TER	1	39K	70340048	39K-1/4W-5%-CF-TER	403		
1	10K	70240025	10K-1/4W-5%-CF-TER	R49	10K-1/4W-5%-CF-TER	1	4.7K	70440023	4.7K-1/4W-5%-CF-TER	404		
1	2K	70240029	2.2K-1/4W-5%-CF-TER	R50	2.2K-1/4W-5%-CF-TER	2	1.5KPL	1.5KPL	70110007	1.5K-1W-5%-MO-TER	405	
1	47K	70240031	470K-1/4W-5%-CF-TER	R51	470K-1/4W-5%-CF-TER	2	22FP	70440100	22FP-1/4W-5%-CF-TER	406		
1	2.7K	70240021	2.7K-1/4W-5%-CF-TER	R52	2.7K-1/4W-5%-CF-TER	1	470	70440015	470-1/4W-5%-CF-TER	407		
1	47K	70240031	470K-1/4W-5%-CF-TER	R53	470K-1/4W-5%-CF-TER	1	2.2K	70440040	2.2K-1/4W-5%-CF-TER	408		
1	10K	70240034	10K-1/4W-5%-CF-TER	R54	10K-1/4W-5%-CF-TER	1	47K	70440031	47K-1/4W-5%-CF-TER	409		
1	330	70240034	330-1/4W-5%-CF-TER	R55	330-1/4W-5%-CF-TER	2	22FP	70440100	22FP-1/4W-5%-CF-TER	410		
1	47K	70240023	470K-1/4W-5%-CF-TER	R56	470K-1/4W-5%-CF-TER	2	47FP	70440099	47FP-1/4W-5%-CF-TER	411		
1	10K	70240034	10K-1/4W-5%-CF-TER	R57	10K-1/4W-5%-CF-TER	1	1M	70440039	1M-1/4W-5%-CF-TER	412		
1	22K	70240029	2.2K-1/4W-5%-CF-TER	R58	2.2K-1/4W-5%-CF-TER	3	10K	70440025	10K-1/4W-5%-CF-TER	413		
1	47K	70240031	470K-1/4W-5%-CF-TER	R59	470K-1/4W-5%-CF-TER	1	22K	70440038	22K-1/4W-5%-CF-TER	414		
1	270	70240013	270-1/4W-5%-CF-TER	R60	270-1/4W-5%-CF-TER	3	802PP	802PP	7122251	802-1/4W-5%-CF-TER	415	
1	3.3K	70240022	3.3K-1/4W-5%-CF-TER	R61	3.3K-1/4W-5%-CF-TER	5	12AX7	12AX7	70406612	12AX7 VACUUM TUBE W/3 PIN PK MNT SOCKET	416	
2	10K	70240025	10K-1/4W-5%-CF-TER	R62	10K-1/4W-5%-CF-TER	2	6L6CC	6L6CC	70406604	6L6CC VACUUM TUBE W/3 PIN SOCKET	417	
1	47K	70240031	470K-1/4W-5%-CF-TER	R63	470K-1/4W-5%-CF-TER	3	FO70311	71.90311	71.90311	71.90311	FO70311 VACUUM TUBE W/3 PIN SOCKET	418
1	100	70240030	100-1/4W-5%-CF-TER	R64	100-1/4W-5%-CF-TER	1	FO70335	71.90335	71.90335	71.90335	FO70335 VACUUM TUBE W/3 PIN SOCKET	419
1	10K	70240025	10K-1/4W-5%-CF-TER	R65	10K-1/4W-5%-CF-TER	1	FO70334	71.90334	71.90334	71.90334	FO70334 VACUUM TUBE W/3 PIN SOCKET	420
1	22K	70240029	2.2K-1/4W-5%-CF-TER	R66	2.2K-1/4W-5%-CF-TER	1	FO70336	71.90336	71.90336	71.90336	FO70336 VACUUM TUBE W/3 PIN SOCKET	421
1	1K	70240031	1K-1/4W-5%-CF-TER	R67	1K-1/4W-5%-CF-TER	2	FO70303	71.90303	71.90303	71.90303	FO70303 VACUUM TUBE W/3 PIN SOCKET	422
1	1KPL	70240020	1K-1/4W-5%-CF-TER	R68	1K-1/4W-5%-CF-TER	1	FO70311	71.90311	71.90311	71.90311	FO70311 VACUUM TUBE W/3 PIN SOCKET	423
1	82K	70240033	82K-1/4W-5%-CF-TER	R69	82K-1/4W-5%-CF-TER	1	FO70317	71.90317	71.90317	71.90317	FO70317 VACUUM TUBE W/3 PIN SOCKET	424
1	2.2K	70240020	2.2K-1/4W-5%-CF-TER	R70	2.2K-1/4W-5%-CF-TER	1	68K	70240022	68K-1/4W-5%-CF-TER	425		
