

D-BASS 210
D-BASS 115
D-BASS 115X

SERVICE NOTES
Issued by RJA

TABLE OF CONTENTS

CAUTIONARY NOTES	2	PARTS LIST(115X)	28
SPECIFICATIONS(210/115).....	2	CHECKING THE VERSION NUMBER.....	32
SPECIFICATIONS(115X)	3	TEST MODE(210/115).....	32
LOCATION OF CONTROLS (210/115)	4	SPEAKER CALIBRATION (210/115)	34
LOCATION OF CONTROLS PARTS LIST (210/115)	5	CHECKING THE VERSION NUMBER(115X)	36
LOCATION OF CONTROLS(115X)	6	TEST MODE (115X).....	36
LOCATION OF CONTROLS PARTS LIST(115X).....	6	SPEAKER CALIBRATION(115X)	37
EXPLODED VIEW(CABINET 210 1/2)	8	BLOCK,WIRING DIAGRAM(210/115)	40
EXPLODED VIEW PARTS LIST (CABINET 210 1/2)	9	BLOCK,WIRING DIAGRAM(115X)	42
EXPLODED VIEW(CABINET 210 2/2)	10	CIRCIUT BOARD(210/115/115X MAIN BOARD)	44
EXPLODED VIEW PARTS LIST (CABINET 210 2/2)	11	CIRCIUT BOARD(210/115/115X MAIN BOARD)	45
EXPLODED VIEW (CABINET 115 1/2)	12	CIRCIUT DIAGRAM(MAIN 210/115 1/2)	46
EXPLODED VIEW PARTS LIST(CABINET 115 1/2)	13	CIRCIUT DIAGRAM(MAIN 210/115 2/2)	48
EXPLODED VIEW(CABINET 115 2/2)	14	CIRCIUT DIAGRAM(MAIN 115X 1/2)	50
EXPLODED VIEW PARTS LIST(CABINET 115 2/2)	15	CIRCIUT DIAGRAM(MAIN 115X 2/2)	52
EXPLODED VIEW(CHASSIS 210/115)	16	CIRCIUT BOARD(210/115 PANEL BOARD)	54
EXPLODED VIEW PARTS LIST (CHASSIS 210/115)	17	CIRCIUT BOARD(210/115 PANEL BOARD)	55
EXPLODED VIEW (CABINET 115X 1/2)	18	CIRCIUT DIAGRAM(PANEL 210/115 1/2)	56
EXPLODED VIEW PARTS LIST (CABINET 115X 1/2).....	19	CIRCIUT DIAGRAM(PANEL 210/115 2/2)	57
EXPLODED VIEW(CABINET 115X 2/2)	20	CIRCIUT BOARD(210/115/115X SENSOR BOARD)	58
EXPLODED VIEW PARTS LIST (CABINET 115X 2/2)	21	CIRCIUT BOARD(115X PANEL BOARD)	58
EXPLODED VIEW(CHASSIS115X)	22	CIRCIUT DIAGRAM(115X PANEL BOARD)	59
EXPLODED VIEW PARTS LIST (CHASSIS 115X)	23		
PARTS LIST(210/115)	24		



Copyright © 2006 ROLAND CORPORATION

All rights reserved. No part of this publication may be reproduced in any form without the written permission of ROLAND CORPORATION.

CAUTIONARY NOTES

PART REPLACEMENT

When replacing components near the power-supply circuit or a heat-generating circuit (such as a circuit provided with a heat sink or including a cement resistor), carry out the procedure according to the instructions with respect to the part number, direction, and attachment position (mounting so as to leave an air gap between the component and the circuit board, etc.).

PARTS LIST

Due to one or more of the following reasons, parts with parts code ***** cannot be supplied as service parts.

- Part supplied only as a component in a complete assembly
- Copyright does not permit the part to be supplied
- Part is sold commercially

CIRCUIT BOARD

NIU meant that "NOT IN USE" there don't set any contents in the Circuit Diagram.

There has silk-screen only in the Circuit Board.

Speaker Calibration

When replacing the circuit board or woofer, be sure to perform speaker calibration.

D-BASS210/150:Please refer to P34.

D-BASS115X:Please refer to P37.

SPECIFICATIONS(210/115)

Rated Power Output

[D-BASS210] 400 W (Woofer 160 W x 2 + Tweeter 80 W)

[D-BASS115] 330 W (Woofer 250 W + Tweeter 80 W)

Nominal Input Level

PIEZO INPUT: -13 dBu / 4.7 M ohms

NORMAL INPUT: -10 dBu / 1 M ohms (PICKUP TYPE: PASSIVE)

0 dBu / 50 k ohms (PICKUP TYPE: ACTIVE)

EFFECT RETURN: +4 dBu

Nominal Output Level

SUB OUT: +4 dBu

LINE OUT: +4 dBu

EFFECT SEND: +4 dBu

TUNER OUT: -10 dBu

BALANCED OUT: +4 dBu

Speakers

[D-BASS210] 25 cm (10 inches) x 2 + Tweeter

[D-BASS115] 38 cm (15 inches) + Tweeter

Controls

POWER Switch

[INPUT]

PICKUP TYPE Switch (ACTIVE, PASSIVE)

GAIN Knob

[COSM AMPLIFIER]

AMP TYPE Knob (SUPER FLAT, VINTAGE, MODERN)

SHAPE Switch

[COMPRESSION]

MODE Switch (TUBE LOGIC, STANDARD)

COMPRESSION Knob

[EQUALIZER]

BASS Knob, MIDDLE Knob, FREQUENCY Knob, TREBLE Knob

TWEETER Knob

[EFFECT]

EFFECT BLEND Knob

VOLUME Knob

MUTE Switch

[BALANCED OUT]

SELECT Switch (DI OUT, LINE OUT)

GND LIFT Switch (ON, OFF)

Indicators

POWER, PEAK, MUTE

Connectors

PIEZO INPUT Jack (1/4" phone type)

NORMAL INPUT Jack (1/4" phone type)

PHONES Jack (Stereo 1/4" phone type)

FOOT SW (MUTE) Jack (1/4" phone type)

SUB OUT Jack (1/4" phone type)

LINE OUT Jack (1/4" phone type)

EFFECT Jacks (SEND/RETURN) (1/4" phone type)

TUNER OUT Jack (1/4" phone type)

BALANCED OUT Connector (XLR type)

Power Supply

AC 115 V, AC 117 V, AC 220 V, AC 230 V, AC 240 V (50/60 Hz)

Power Consumption

[D-BASS210] 95 W

[D-BASS115] 92 W

Dimensions

[D-BASS210]

595 (W) x 410 (D) x 574 (H) mm

23-7/16 (W) x 16-3/16 (D) x 22-5/8 (H) inches

(excluding casters)

595 (W) x 410 (D) x 625 (H) mm

23-7/16 (W) x 16-3/16 (D) x 24-5/8 (H) inches

(including casters)

[D-BASS115]

595 (W) x 410 (D) x 623 (H) mm

23-7/16 (W) x 16-3/16 (D) x 24-9/16 (H) inches

(excluding casters)

595 (W) x 410 (D) x 674 (H) mm

23-7/16 (W) x 16-3/16 (D) x 26-9/16 (H) inches

(including casters)

Weight

[D-BASS210] 24.0 kg / 52 lbs 15 oz

[D-BASS115] 23.5 kg / 51 lbs 13 oz

Accessories

Owner's Manual English(#SD000219)

Japanese(#SD000218)

Caster (#SD000856) x 4

Option

Foot Switch: FS-5L (BOSS)

SPECIFICATIONS(115X)

Rated Power Output

330 W (Woofer 250 W + Tweeter 80 W)

Nominal Input Level

INPUT: +4 dBu / 22 k ohms

Nominal Output Level

THRU OUT: +4 dBu

Speakers

38 cm (15 inches) x 1 + Tweeter

Controls

POWER Switch

MODE SELECT Switch (FULL RANGE, SUB WOOFER)

[FULL RANGE]

TWEETER Knob

[SUB WOOFER]

FREQUENCY Knob

VOLUME Knob

Indicators

FULL RANGE, SUB WOOFER

Connectors

INPUT Jack (1/4" phone type)

THRU OUT Jack (1/4" phone type)

Power Supply

AC 115 V, AC 117 V, AC 220 V, AC 230 V, AC 240 V (50/60 Hz)

Power Consumption

92 W

Dimensions

595 (W) x 517 (D) x 530 (H) mm

23-7/16 (W) x 20-3/8 (D) x 20-7/8 (H) inches

(excluding casters)

595 (W) x 517 (D) x 581 (H) mm

23-7/16 (W) x 20-3/8 (D) x 22-7/8 (H) inches

(including casters)

Weight

27.0 kg / 59 lbs 9 oz

Accessories

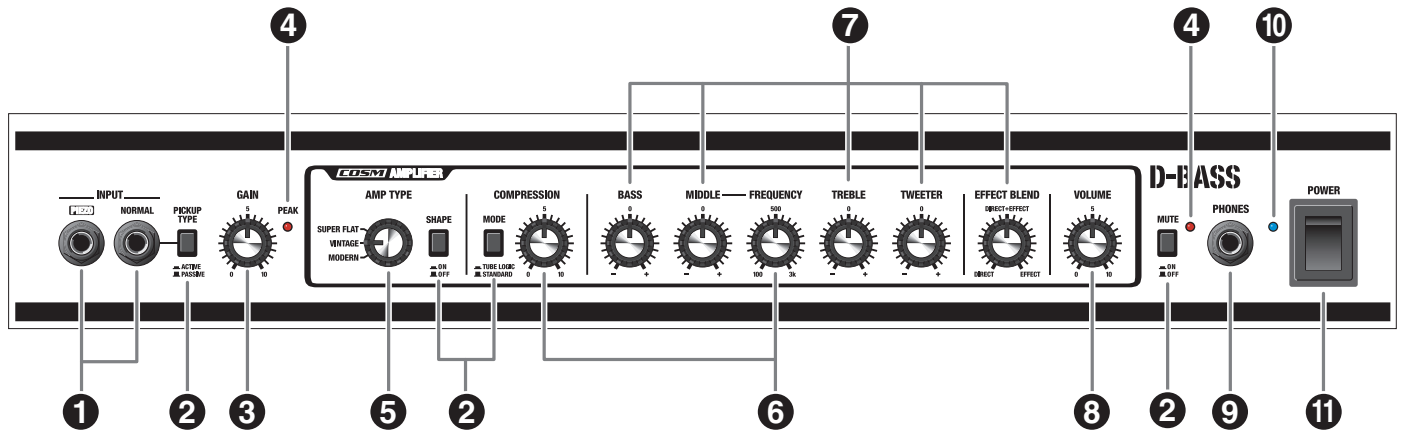
Owner's Manual English(#SD000219)

Japanese(#SD000218)

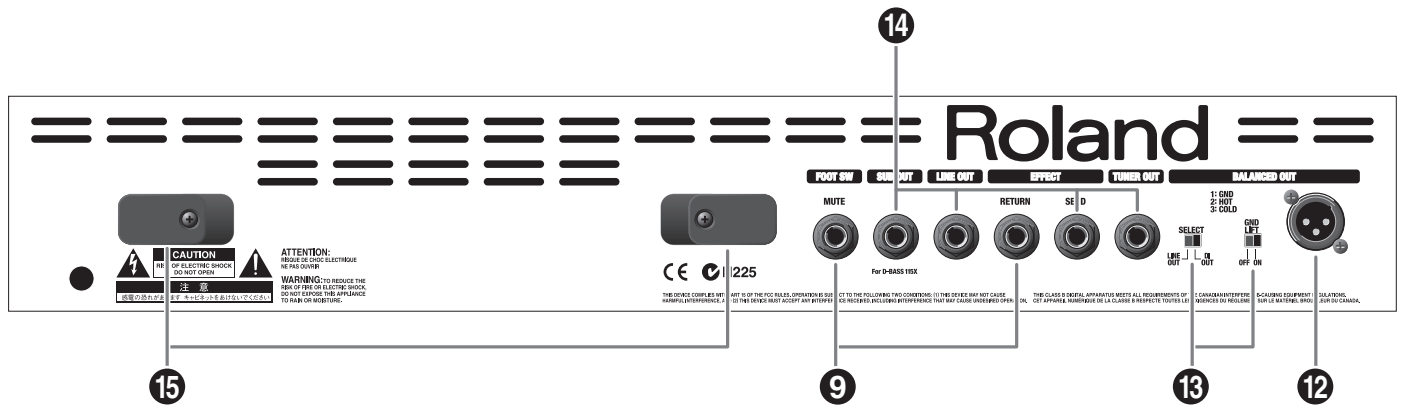
Caster (#SD000856) x 4 pcs

LOCATION OF CONTROLS (210/115)

FRONT PANEL



REAR PANEL

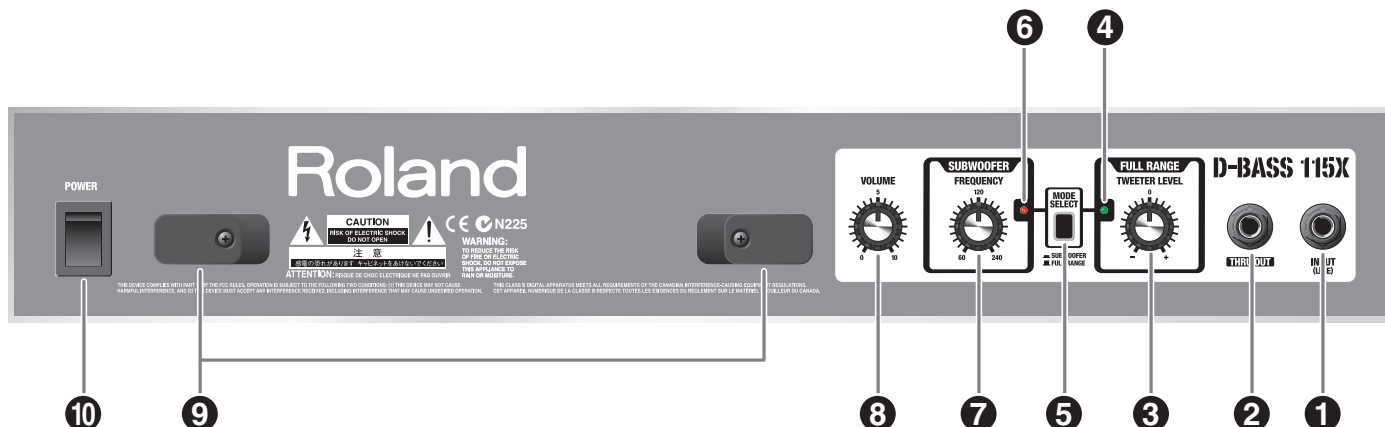


LOCATION OF CONTROLS PARTS LIST (210/115)

No	PART CODE	CATEGORY	PART NAME	DESCRIPTION	Q'TY
1	13449146	JACK,EXT TERMINAL	6.5MM JACK	YKB21-5012 (W/SW)	2
	22150756	SCREWS	JACK NUT 2	PLASTIC/BLK	2
2	01782623	SWITCH	PUSH SWITCH	SPUP128100	4
	2249752100	KNOB,BUTTON	PUSH BUTTON	BLACK #521	4
3	SD000801	POTENTIOMETER	ROTARY POTENSIO METER	RD901F-20E3-15FW-A100K-00D	1
	SD000791	KNOB,BUTTON	D-BASS KNOB W/SILVER PLATE		1
	17048630	SCREWS	VR ACCESSORY NUT M9		1
	17048631	SCREWS	VR ACCESSORY WASHER M9		1
4	03349978	DIODE	LED(RED)	L-34HDSL-FPB	2
	13119218	SWITCH	ROTARY SWITCH	SRBM132400	1
5	SD000791	KNOB,BUTTON	D-BASS KNOB W/SILVER PLATE		1
	40128923	SCREWS	HEX NUT M7		1
	17048651	SCREWS	VR ACCESSORY WASHER M7	M7X12X0.5 NO.476	1
	SD000802	POTENTIOMETER	ROTARY POTENSIO METER	RD901F-20E3-15FW-B10K-00D	2
6	SD000791	KNOB,BUTTON	D-BASS KNOB W/SILVER PLATE		2
	17048630	SCREWS	VR ACCESSORY NUT M9		2
	17048631	SCREWS	VR ACCESSORY WASHER M9		2
	SD000799	POTENTIOMETER	ROTARY POTENSIO METER	RD901F-20E3-15FW-B10K-0CD	5
7	SD000791	KNOB,BUTTON	D-BASS KNOB W/SILVER PLATE		5
	17048630	SCREWS	VR ACCESSORY NUT M9		5
	17048631	SCREWS	VR ACCESSORY WASHER M9		5
	SD000800	POTENTIOMETER	ROTARY POTENSIO METER	RD904F-20B3-15FW-B10K	1
8	SD000791	KNOB,BUTTON	D-BASS KNOB W/SILVER PLATE		1
	40128923	SCREWS	HEX NUT M7		1
	17048651	SCREWS	VR ACCESSORY WASHER M7	M7X12X0.5 NO.476	1
	13449252	JACK,EXT TERMINAL	6.5MM JACK	YKB21-5006	3
9	22150756	SCREWS	JACK NUT 2	PLASTIC/BLK	3
	02902278	DIODE	LED(BLUE)	L-934MBD	1
11	03782367	SWITCH	SEESAW SWITCH	JW-L11RKK	1
	03782323	MISCELLANEOUS	SW HOLDER	AT-218K	1
12	00122123	JACK,EXT TERMINAL	XLR SOCKET	YKF52-5003	1
13	03568145	SWITCH	SLIDE SWITCH	SSAA120200	2
14	13449145	JACK,EXT TERMINAL	6.5MM JACK	YKB21-5010	4
	22150756	SCREWS	JACK NUT 2	PLASTIC/BLK	4
15	22360705	CHASSIS	CORD HOOK		2

LOCATION OF CONTROLS(115X)

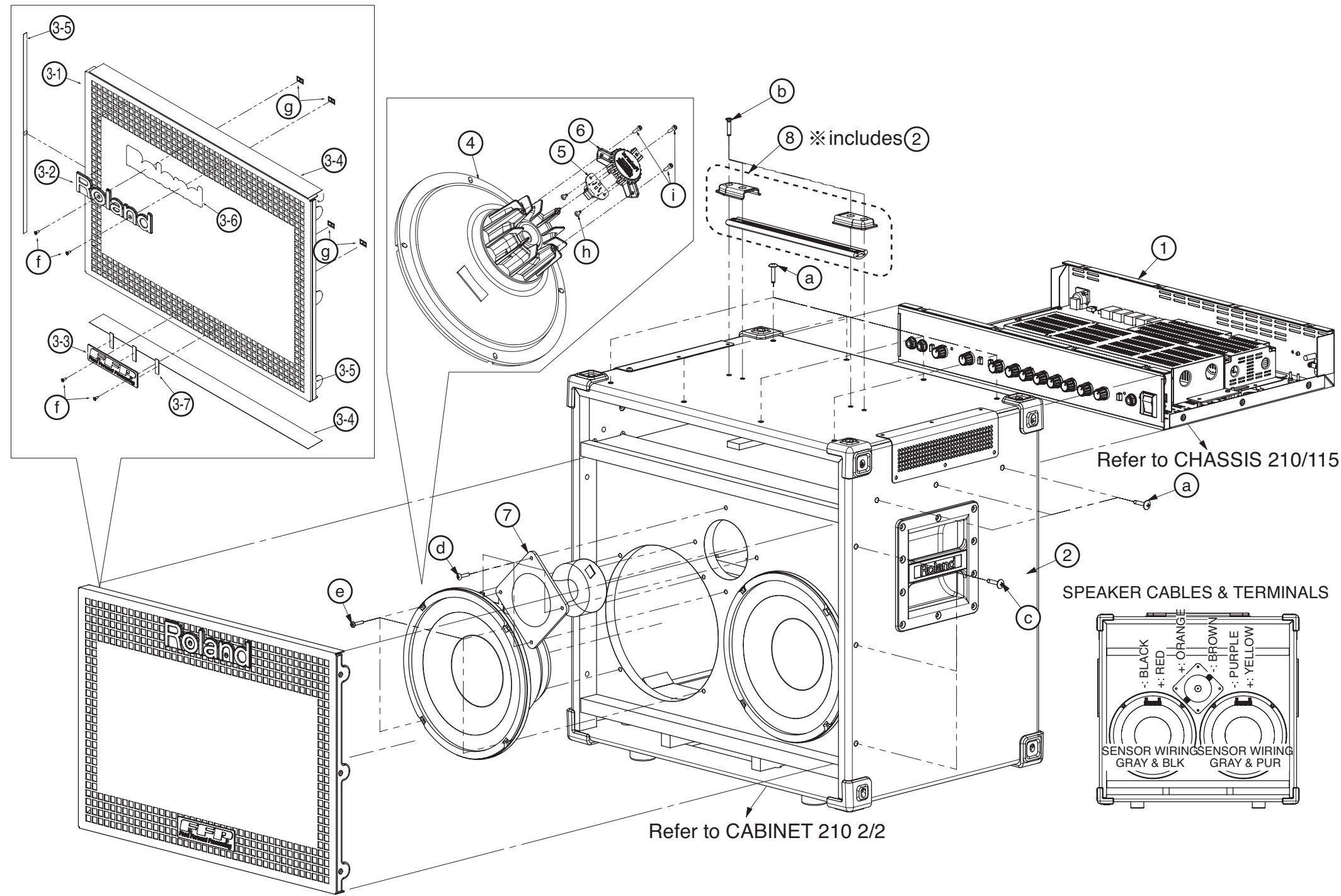
FRONT PANEL



LOCATION OF CONTROLS PARTS LIST(115X)

No	PART CODE	CATEGORY	PART NAME	DESCRIPTION	Q'TY
1	13449146	JACK,EXT TERMINAL	6.5MM JACK	YKB21-5012 (W /SW)	1
	22150756	SCREWS	JACK NUT 2	PLASTIC/BLK	1
2	13449145	JACK,EXT TERMINAL	6.5MM JACK	YKB21-5010	1
	22150756	SCREWS	JACK NUT 2	PLASTIC/BLK	1
3	SD000799	POTENTIOMETER	ROTARY POTENSIO METER	RD901F-20E3-15FW-B10K-0CD	1
	SD000791	KNOB,BUTTON	D-BASS KNOB W /SILVER PLATE		1
	17048630	SCREWS	VR ACCESSORY NUT M9		1
	17048631	SCREWS	VR ACCESSORY WASHER M9		1
4	03349989	DIODE	LED(GREEN)	L-34GDSL-FPB	1
5	01782623	SWITCH	PUSH SWITCH	SPUP128100	4
	2249752100	KNOB,BUTTON	PUSH BUTTON	BLACK #521	4
6	03349978	DIODE	LED(RED)	L-34HDLSL-FPB	1
7	SD000802	POTENTIOMETER	ROTARY POTENSIO METER	RD901F-20E3-15FW-B10K-00D	1
	SD000791	KNOB,BUTTON	D-BASS KNOB W /SILVER PLATE		1
	17048630	SCREWS	VR ACCESSORY NUT M9		1
	17048631	SCREWS	VR ACCESSORY WASHER M9		1
8	SD000800	POTENTIOMETER	ROTARY POTENSIO METER	RD904F-20B3-15FW-B10K	1
	SD000791	KNOB,BUTTON	D-BASS KNOB W /SILVER PLATE		1
	40128923	SCREWS	HEX NUT M7		1
	17048651	SCREWS	VR ACCESSORY WASHER M7	M7X12X0.5 NO.476	1
9	22360705	CHASSIS	CORD HOOK		2
10	03782367	SWITCH	SEESAW SWITCH	JW-L11RKK	1
	03782323	MISCELLANEOUS	SW HOLDER	AT-218K	1

EXPLODED VIEW(CABINET 210 1/2)



EXPLODED VIEW PARTS LIST (CABINET 210 1/2)

[Parts]

No	PART CODE	PART NAME	DISCRIPTION	Q'TY
1	*****	CHASSIS ASSY		1
See the "EXPLODED VIEW(CHASSIS 210/115)" for details.				
2	SD000735	CABINET ASSY		1
See the "EXPLODED VIEW(CABINET 210 2/2)" for details.				
3-1	SD000782	GRILLE		1
3-2	SD000784	BADGE R H37 DAHW		1
3-3	SD000785	BADGE FFP H16.5 DAHW		1
3-4	SD000841	CUSHION GRILLE 34X520		2
3-5	SD000842	D-BASS210 SIDE CUSHION GRILLE		2
3-6	SD000845	CUSHION BADGE R37 DAHW		1
3-7	SD000844	CUSHION 8X30 HI		3
4	SD000792	SPEAKER 10" (4OHM)	WOOFER W1004-416 A	2
5	SD000202	SENSOR BOARD ASSY		2
6	SD000876	SPEAKER SENSOR HOLDER HI-TEMP		2
7	SD000794	TWEETER TH08-416 A	TWEETER (8OHM)	1
8	22310207	HANDLE (H40)	231-207 W/ESCUCHEON (2 HOLES)	1

[Screws]

No	PART CODE	PART NAME	DISCRIPTION	Q'TY
a	SD000828	SCREW M5X20	TRUSS MACHINE BZC	14
b	40010478	SCREW M5X25	OVAL MACHINE FE BZC FOR HANDLE	24
c	40010601	SCREW M5X35	ORIGINAL TRUSS MACHINE FE BZC	6
d	SD000829	SCREW M4X25	ORIGINAL TRUSS MACHINE BZC	4
e	40010367	SCREW M4X25	BINDING MACHINE BZC	8
f	40230778	SCREW 3X8	OVAL MACHINE BZC	4
g	40011689	SPEED NUT M3	F-TYPE	4
h	40011312	SCREW 3X8	BINDING TAPTITE P BZC	6
i	SD000831	SCREW M3X10	CAP SCREW D6 W/SW BZC	6

DISASSEMBLY PROCEDURE(210)

When detaching the CHASSIS from the CABINET, follow the procedure described below.

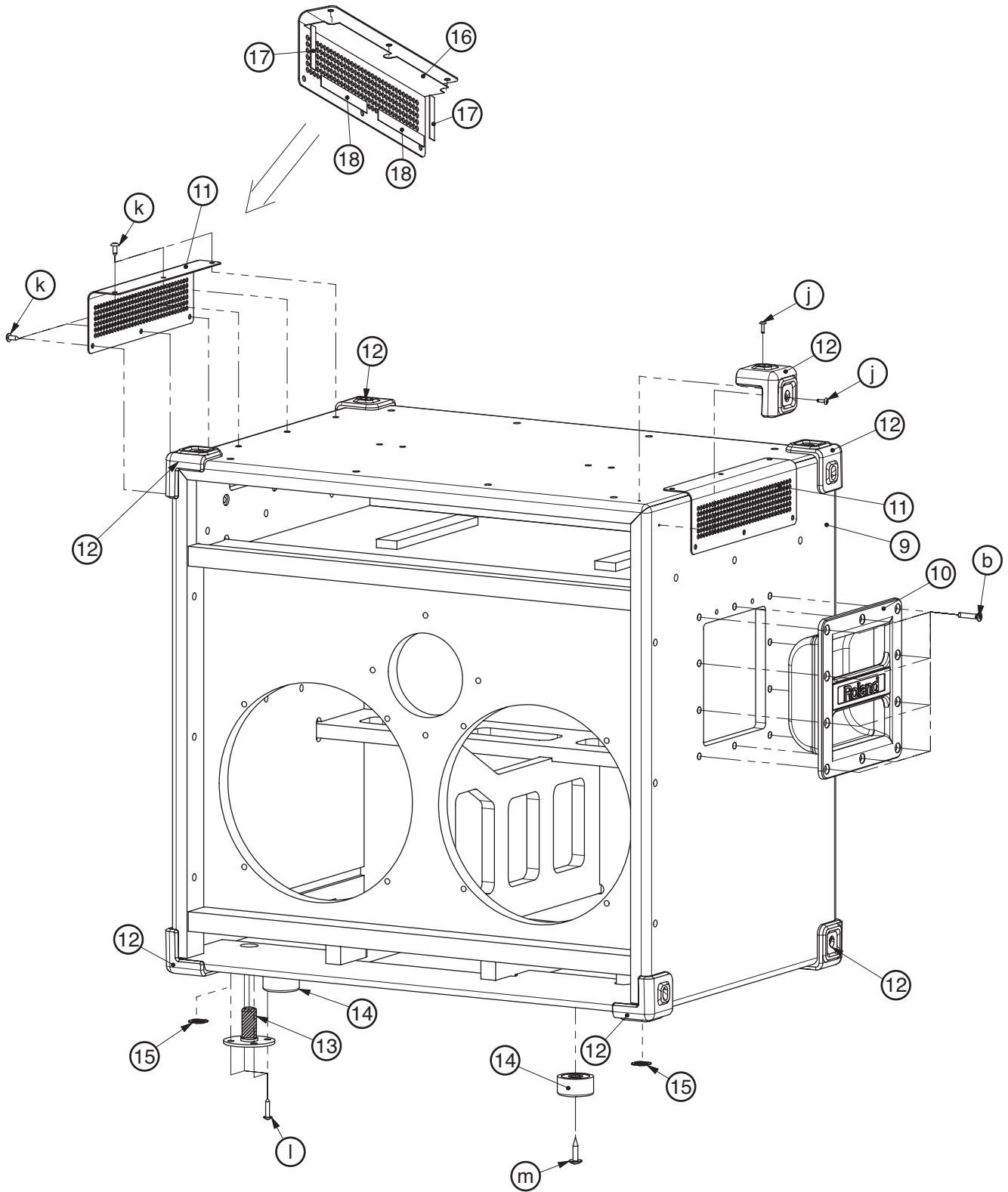
1. Detach the GRILLE ASSY (No. 3).
2. Detach the SPEAKER (No.4), then detach the SPEAKER WIRING and SENSOR WIRING.
3. Detach the SPEAKER CABLE BUSH (PART CODE: #SD000875).



The SPEAKER CABLE BUSH is bonded in place. Be careful not to sever the WIRING.

4. Detach the TOP HANDLE (No. 8).
5. Detach the CHASSIS (No. 1).

EXPLODED VIEW(CABINET 210 2/2)



EXPLODED VIEW PARTS LIST (CABINET 210 2/2)

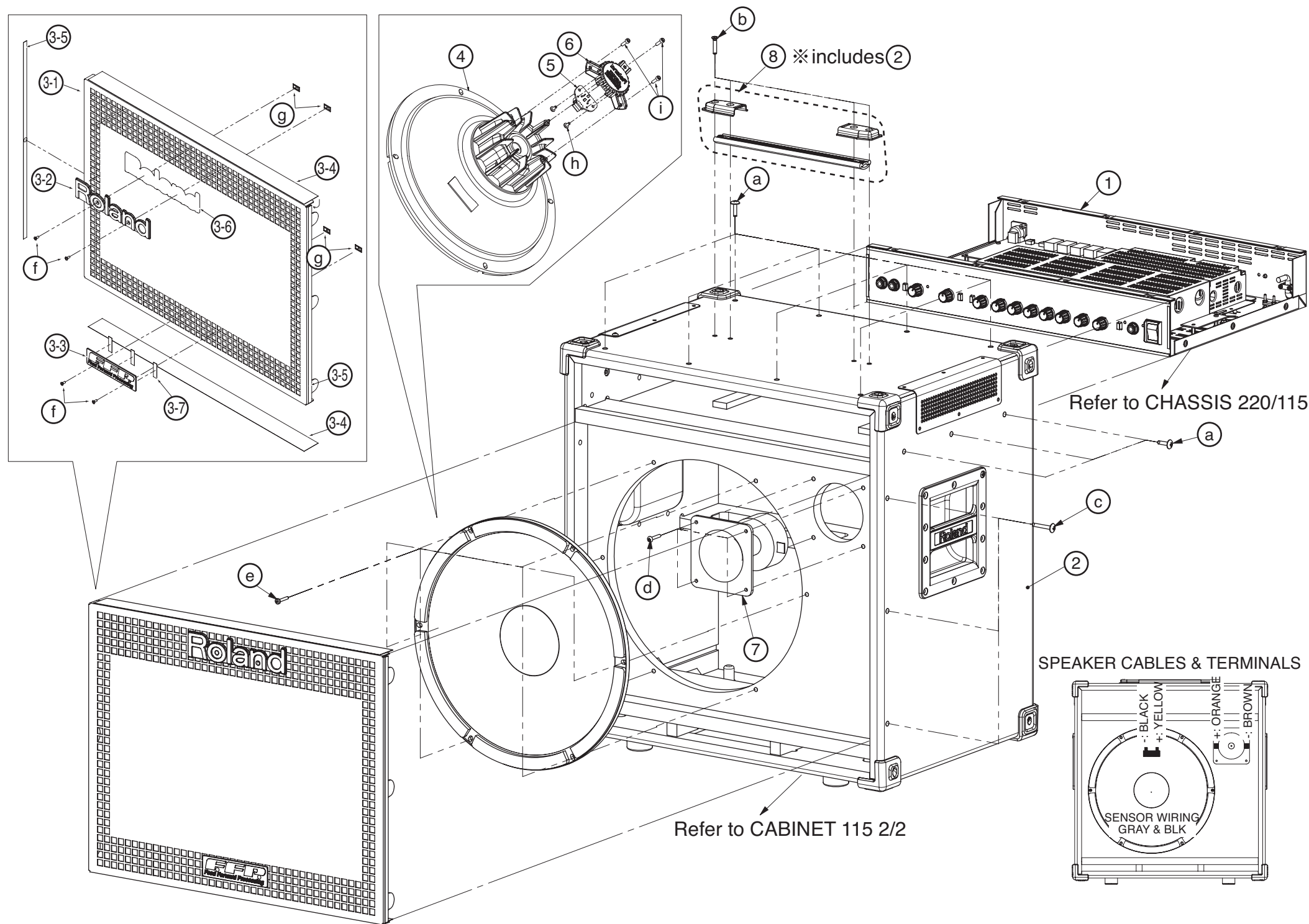
[Parts]

No	PART CODE	PART NAME	DISCRIPTION	Q'TY
	SD000735	CABINET ASSY		1
	NOTE:D-BASS210 CABINET ASSY includes the following parts.			
8	22310207	HANDLE (H40)	231-207 W/ESCUCHEON (2 HOLES)	1
9	*****	CABINET		1
10	SD000778	SIDE HANDLE ASSEMBLY		2
11	SD000779	RADIATION GRILLE		2
12	SD000776	CORNER PROTECTOR		8
13	SD000780	CASTER SOCKET		4
14	SD000781	FOOT D38 T19 W		4
15	SD000840	D-BASS CORNER CUSHION		2
16	SD000837	CUSHION RADIATION GRILLE		2
17	SD000839	CUSHION 8X40 HI		4
18	SD000838	CUSHION 10X80 HI		4
	*****	SOUND CARPET	acoustic foam cushion	

[Screws]

No	PART CODE	PART NAME	DISCRIPTION	Q'TY
b	40010478	SCREW M5X25	OVAL MACHINE FE BZC FOR HANDLE	24
j	SD000067	SCREW 3X12	TRUSS TAPTITE A1 BZC	16
k	40010112	SCREW M4X12	TRUSS MACHINE BZC	12
l	40010678	SCREW 4X20	TRUSS TAPPING A FE BZC	16
m	SD000827	SCREW 5X25	TRUSS TAPTITE A1 BZC	4

EXPLODED VIEW (CABINET 115 1/2)



EXPLODED VIEW PARTS LIST(CABINET 115 1/2)

[Parts]

No	PART CODE	PART NAME	DISCRIPTION	Q'TY
1	*****	CHASSIS ASSY		1
See the "EXPLODED VIEW(CHASSIS 210/115)" for details.				
2	SD000755	CABINET ASSY		1
See the "EXPLODED VIEW(CABINET 115 2/2)" for details.				
3-1	SD000783	GRILLE		1
3-2	SD000784	BADGE R H37 DAHW		1
3-3	SD000785	BADGE FFP H16.5 DAHW		1
3-4	SD000841	CUSHION GRILLE 34X520		2
3-5	SD000843	SIDE CUSHION GRILLE		2
3-6	SD000845	CUSHION BADGE R37 DAHW		1
3-7	SD000844	CUSHION 8X30 HI		3
4	SD000793	SPEAKER 15' (80HM)	WOOFER W1508-417 A	1
6	SD000876	D-BASS SPEAKER SENSOR HOLDER HI-TEMP		1
7	SD000794	TWEETER TH08-416 A	TWEETER (80HM)	1

[Screws]

No	PART CODE	PART NAME	DISCRIPTION	Q'TY
a	SD000828	SCREW M5X20	TRUSS MACHINE BZC	14
b	40010478	SCREW M5X25	OVAL MACHINE FE BZC FOR HANDLE	24
c	40010601	SCREW M5X35	ORIGINAL TRUSS MACHINE FE BZC	6
d	SD000829	SCREW M4X25	ORIGINAL TRUSS MACHINE BZC	4
e	SD000829	SCREW M4X25	ORIGINAL TRUSS MACHINE BZC	6
f	40230778	SCREW 3X8	OVAL MACHINE BZC	4
g	40011689	SPEED NUT M3	F-TYPE	4
h	40011312	SCREW 3X8	BINDING TAPTITE P BZC	3
i	SD000831	SCREW M3X10	CAP SCREW D6 W/SW BZC	3

DISASSEMBLY PROCEDURE(115)

When detaching the CHASSIS from the CABINET, follow the procedure described below.

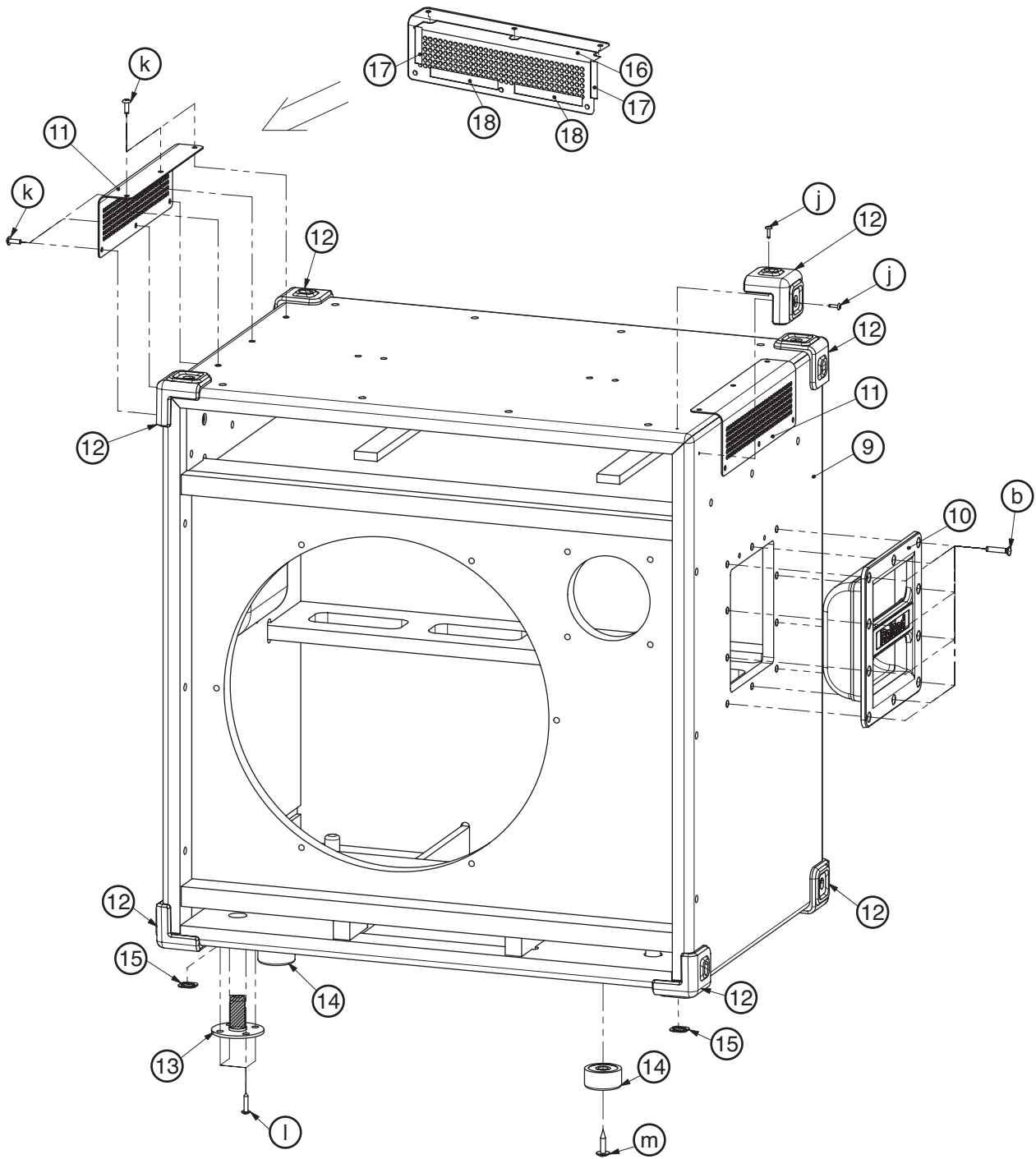
1. Detach the GRILLE ASSY (No. 3).
2. Detach the SPEAKER (No.4), then detach the SPEAKER WIRING and SENSOR WIRING.
3. Detach the SPEAKER CABLE BUSH (PART CODE: #SD000875).



The SPEAKER CABLE BUSH is bonded in place. Be careful not to sever the WIRING.

4. Detach the TOP HANDLE (No. 8).
5. Detach the CHASSIS (No. 1).

EXPLODED VIEW(CABINET 115 2/2)



EXPLODED VIEW PARTS LIST(CABINET 115 2/2)

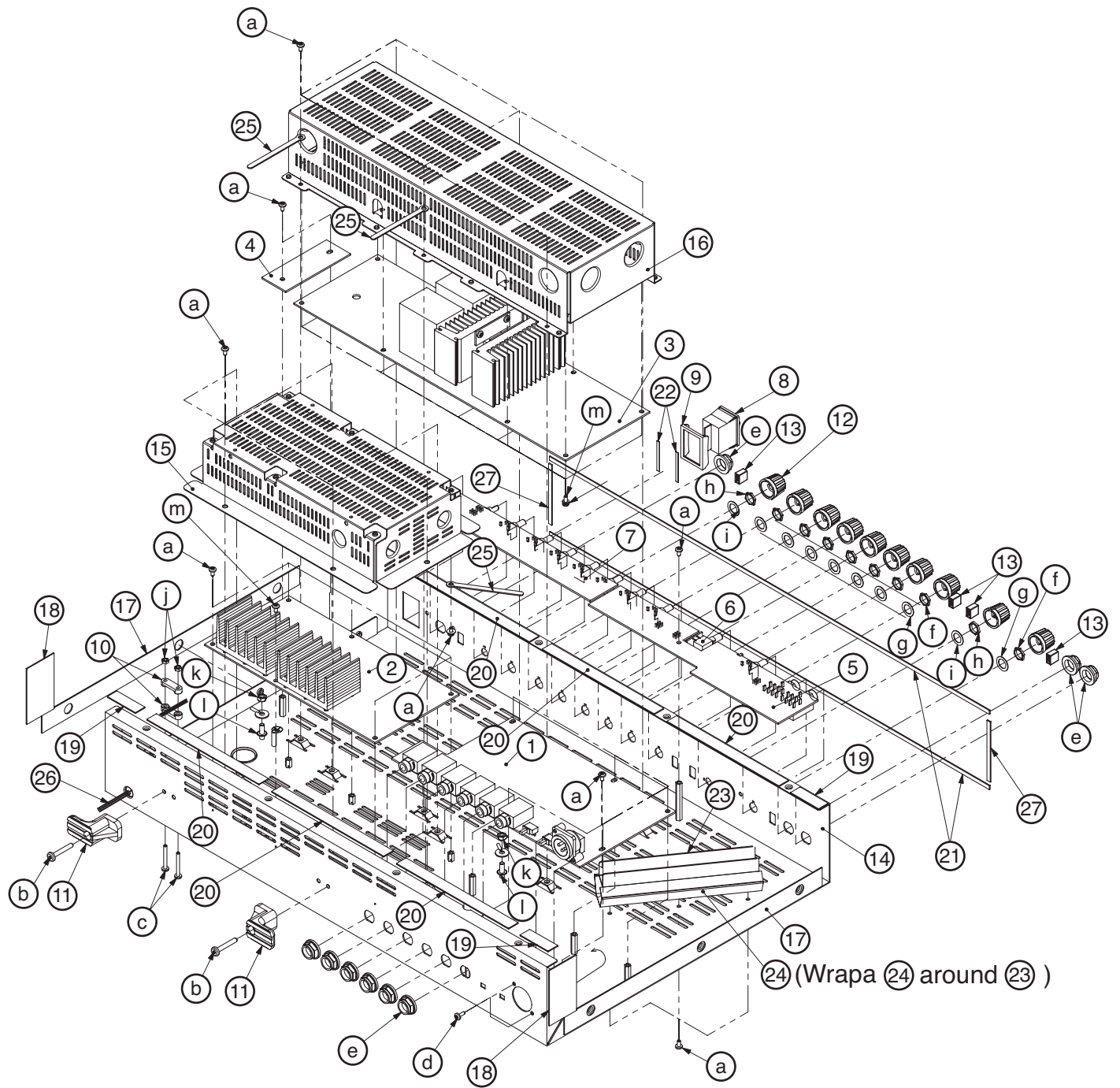
[Parts]

No	PART CODE	PART NAME	DISCRIPTION	Q'TY
	SD000755	CABINET ASSY		1
		NOTE: CABINET ASSY includes the following parts.		
8	22310207	HANDLE (H40)	231-207 W/ESCUCHEON (2 HOLES)	1
9	*****	CABINET		1
10	SD000778	SIDE HANDLE ASSEMBLY		2
11	SD000779	RADIATION GRILLE		2
12	SD000776	CORNER PROTECTOR		8
13	SD000780	CASTER SOCKET		4
14	SD000781	FOOT D38 T19 W		4
15	SD000840	D-BASS CORNER CUSHION		2
16	SD000837	CUSHION RADIATION GRILLE		2
17	SD000839	CUSHION 8X40 HI		4
18	SD000838	CUSHION 10X80 HI		4
	*****	SOUND CARPET	acoustic foam cushion	

[Screws]

No	PART CODE	PART NAME	DISCRIPTION	Q'TY
b	40010478	SCREW M5X25	OVAL MACHINE FE BZC FOR HANDLE	24
j	SD000067	SCREW 3X12	TRUSS TAPTITE A1 BZC	16
k	40010112	SCREW M4X12	TRUSS MACHINE BZC	12
l	40010678	SCREW 4X20	TRUSS TAPPING A FE BZC	16
m	SD000827	SCREW 5X25	TRUSS TAPTITE A1 BZC	4

EXPLODED VIEW(CHASSIS 210/115)



EXPLODED VIEW PARTS LIST (CHASSIS 210/115)

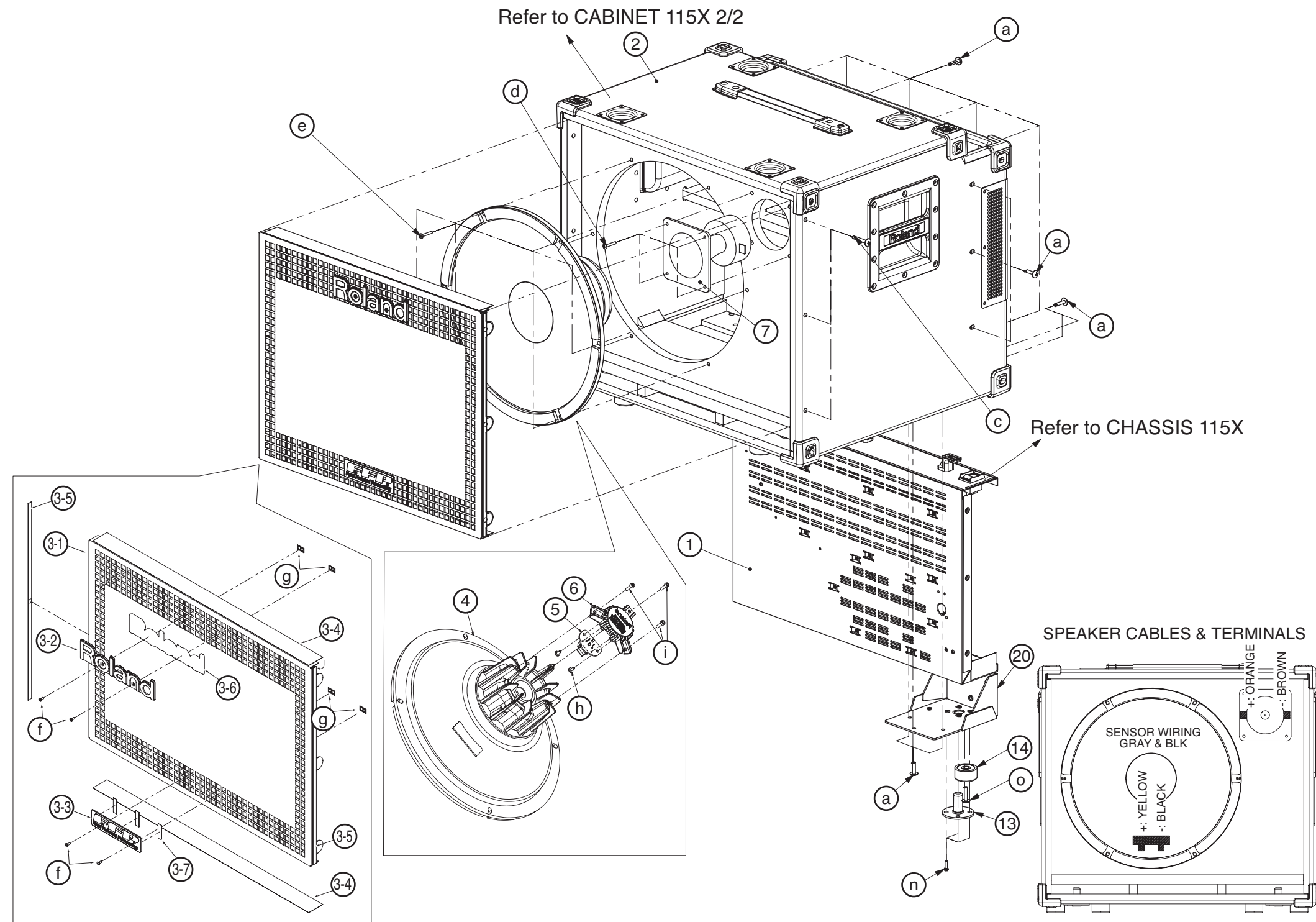
[Parts]

No	PART CODE	PART NAME	DISCRIPTION	Q'TY
1	SD000197	MAIN BOARD ASSY	D-BASS210	1
	SD000198	MAIN BOARD ASSY	D-BASS115	1
2	SD000203	AMP BOARD ASSY		1
3	SD000204	PS BOARD ASSY 100V		1
	SD000205	PS BOARD ASSY 117V		1
	SD000206	PS BOARD ASSY 230V		1
	SD000207	PS BOARD ASSY 240V		1
4	SD000197	MAIN BOARD ASSY (PS1 BOARD)	D-BASS210	1
	SD000198	MAIN BOARD ASSY (PS1 BOARD)	D-BASS115	1
5	SD000857	PANEL BOARD ASSY (PANEL L)		1
6	SD000857	PANEL BOARD ASSY (RSW1)		1
7	SD000857	PANEL BOARD ASSY (PANEL R)		1
8	03782367	SEESAW SWITCH	JW-L11RKK	1
9	03782323	SW HOLDER	AT-218K	1
10	12369410RT	AC CORD HOLDER	1702B	2
11	22360705	CORD HOOK		2
12	SD000791	D-BASS KNOB W/SILVER PLATE		10
13	2249752100	PUSH BUTTON	BLACK #521	4
14	SD000786	CHASSIS	D-BASS210	1
	SD000787	CHASSIS	D-BASS115	1
15	SD000744	AMP CHASSIS		1
16	SD000717	PS CHASSIS		1
17	SD000847	SIDE CUSHION CHASSIS		2
18	SD000848	CUSHION 34X60		2
19	SD000849	CUSHION 12X35		4
20	SD000850	CUSHION 12X140		6
21	SD000852	CUSHION 4X550		2
22	SD000853	CUSHION 3X32 HI		2
23	SD000790	CHANNNEL		1
24	SD000846	CUSHION CHANNEL		1
25	SD000327	WIRING CLIP	CS-3U	9
26	SD000874	AC CORD	SP-18C WITH TERMINAL 100V 3P	1
	SD000178	AC CORD	SP-301 WITH TERMINAL 117V	1
	SD000176	AC CORD	SP-023 WITH TERMINAL 230V	1
	SD000180	AC CORD	SP-60 WITH TERMINAL 230VE	1
	SD000179	AC CORD	SP-502B WITH TERMINAL 240V	1
27	SD000851	CUSHION 4X65		2

[Screws]

No	PART CODE	PART NAME	DISCRIPTION	Q'TY
a	40012867	SCREW M3X8	PAN MACHINE W/SW+PW ZC	30
b	40565489	SCREW M4X25	PAN MACHINE W/SW BZC	2
c	40010301	SCREW M3X20	BINDING MACHINE BZC	2
d	40011312	SCREW 3X8	BINDING TAPTITE P BZC	2
e	22150756	JACK NUT 2	PLASTIC/BLK	9
f	17048630	VR ACCESSORY NUT M9		8
g	17048631	VR ACCESSORY WASHER M9		8
h	40128923	HEX NUT M7		2
i	17048651	VR ACCESSORY WASHER M7	M7X12X0.5 NO.476	2
j	40011756	FLANGE HEX NUT M3	ZC	2
k	40011767	FLANGE HEX NUT M4	FE ZC	2
l	40011889	EXTERNAL TOOTH WASHER M4	FECM	2
m	40237101	SCREW M3X8	PAN MACHINE W/SW+SMALL PW BZC	10

EXPLODED VIEW (CABINET 115X 1/2)



EXPLODED VIEW PARTS LIST (CABINET 115X 1/2)

[Parts]

No	PART CODE	PART NAME	DISCRIPTION	Q'TY
1	*****	CHASSIS ASSY		1
See the "EXPLODED VIEW(CHASSIS 115X)" for details.				
2	SD000788	CABINET ASSY		1
See the "EXPLODED VIEW(CABINET 115X 2/2)" for details.				
3-1	SD000783	GRILLE		1
3-2	SD000784	BADGE R H37 DAHW		1
3-3	SD000785	BADGE FFP H16.5 DAHW		1
3-4	SD000841	CUSHION GRILLE 34X520		2
3-5	SD000843	D-BASS115/115X SIDE CUSHION GRILLE		2
3-6	SD000845	CUSHION BADGE R37 DAHW		1
3-7	SD000844	CUSHION 8X30 HI		3
4	SD000793	SPEAKER 15' (80HM)	WOOFER W1508-417 A	1
5	SD000202	SENSOR BOARD ASSY		1
6	SD000876	D-BASS SPEAKER SENSOR HOLDER HI-TEMP		1
7	SD000794	TWEETER TH08-416 A	TWEETER (80HM)	1
13	SD000780	CASTER SOCKET		2
14	SD000781	FOOT D38 T19 W		2
20	SD000830	CASTER ANGLE		2

[Screws]

No	PART CODE	PART NAME	DISCRIPTION	Q'TY
a	SD000828	SCREW M5X20	TRUSS MACHINE BZC	26
c	40010601	SCREW M5X35	ORIGINAL TRUSS MACHINE FE BZC	6
d	SD000829	SCREW M4X25	ORIGINAL TRUSS MACHINE BZC	4
e	SD000829	SCREW M4X25	ORIGINAL TRUSS MACHINE BZC	6
f	40230778	SCREW 3X8	OVAL MACHINE BZC	4
g	40011689	SPEED NUT M3	F-TYPE	4
h	40011312	SCREW 3X8	BINDING TAPTITE P BZC	3
i	SD000831	SCREW M3X10	CAP SCREW D6 W/SW BZC	3
n	40230245	SCREW M4X12	PAN MACHINE W/SW+PW BZC	8
o	SD000828	SCREW M5X20	TRUSS MACHINE BZC	2

DISASSEMBLY PROCEDURE(115X)

When detaching the CHASSIS from the CABINET, follow the procedure described below.

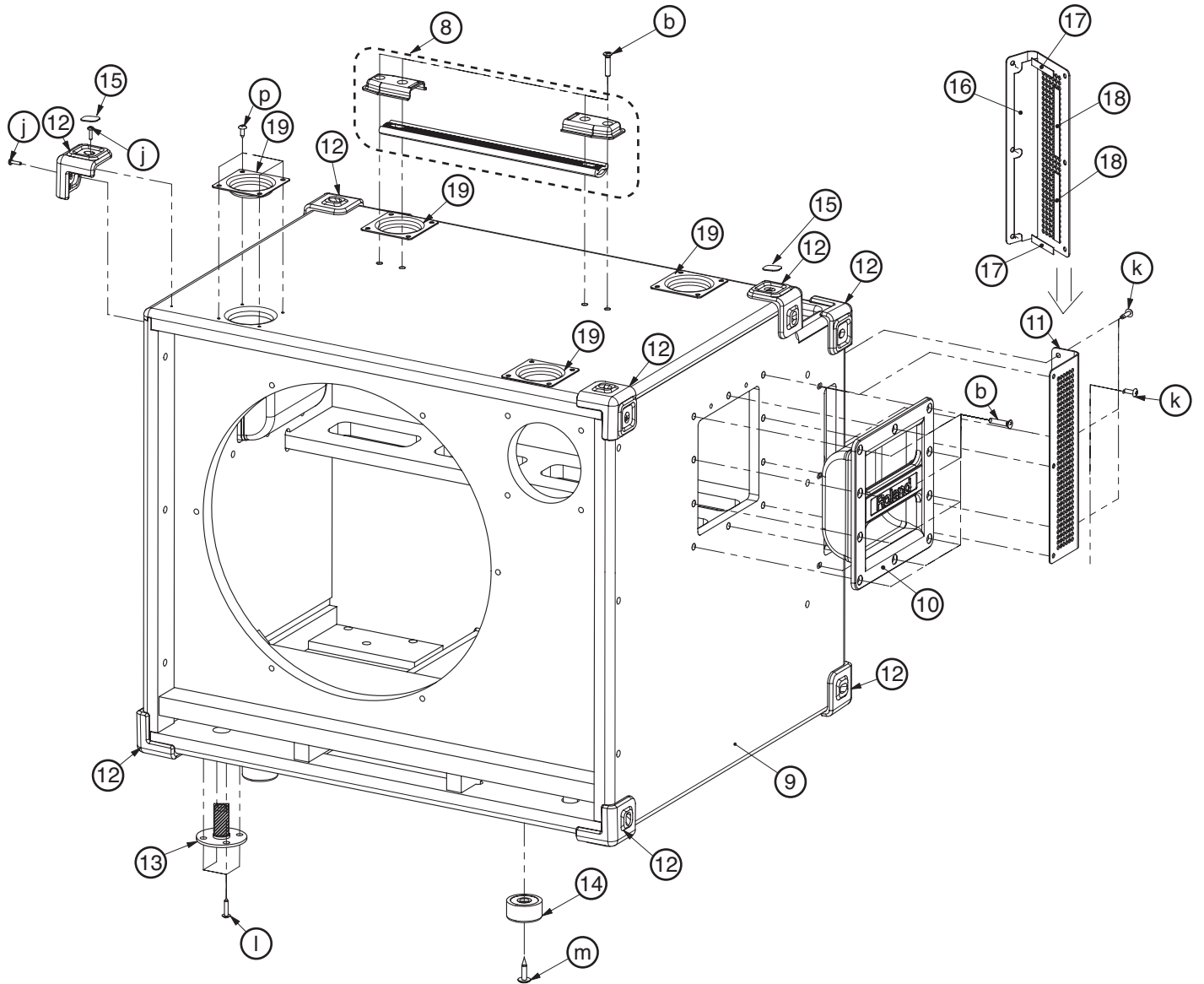
1. Detach the GRILLE ASSY (No. 3).
2. Detach the SPEAKER (No.4), then detach the SPEAKER WIRING and SENSOR WIRING.
3. Detach the SPEAKER CABLE BUSH (PART CODE: #SD000875).



The SPEAKER CABLE BUSH is bonded in place. Be careful not to sever the WIRING.

4. Detach the TOP HANDLE (No. 8).
5. Detach the CHASSIS (No. 1).

EXPLODED VIEW(CABINET 115X 2/2)



EXPLODED VIEW PARTS LIST (CABINET 115X 2/2)

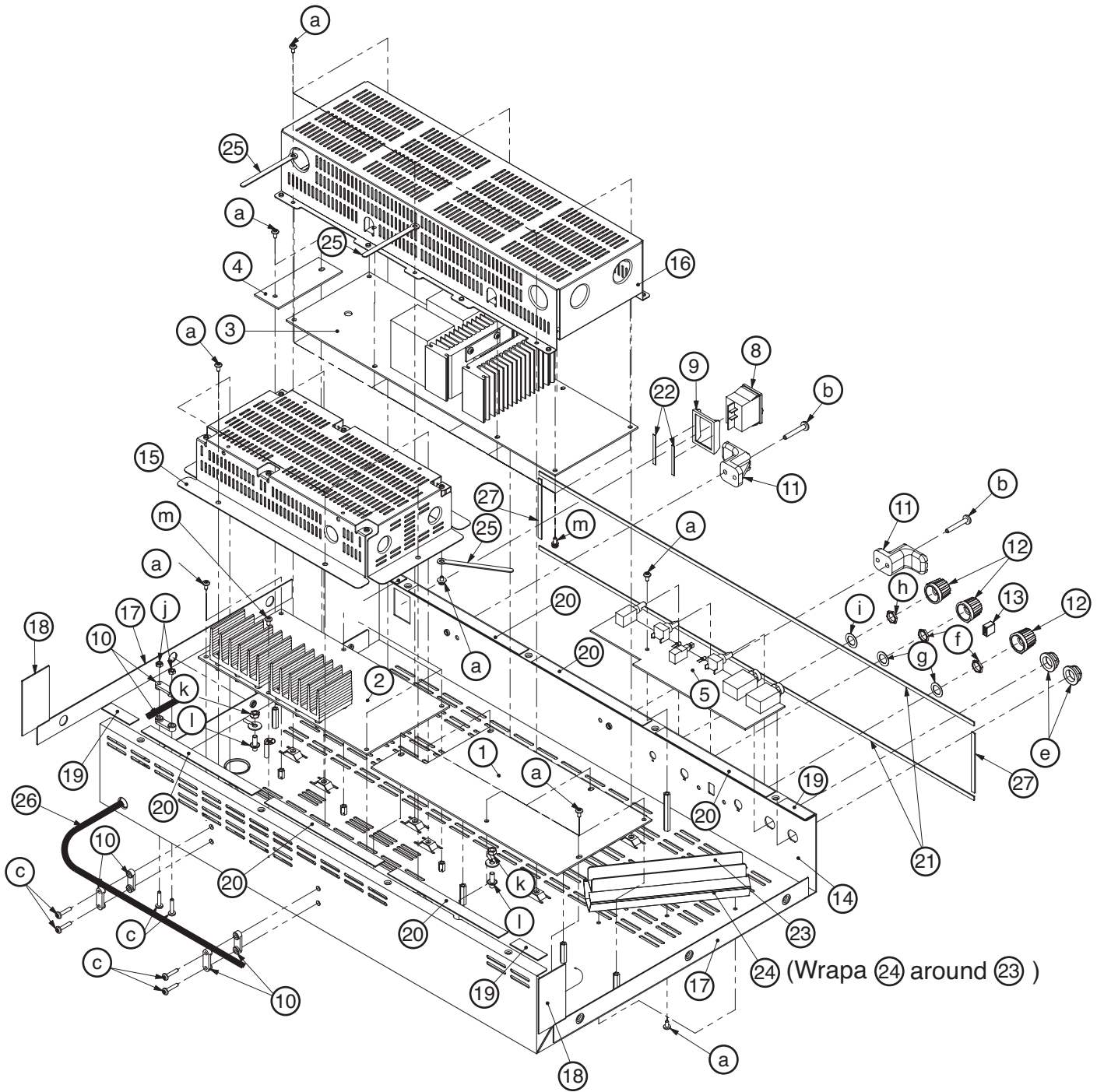
[Parts]

No	PART CODE	PART NAME	DISCRIPTION	Q'TY
2	SD000788	CABINET ASSY		1
		NOTE:CABINET ASSY includes the following parts.		
8	22310207	HANDLE (H40)	231-207 W/ESCUCHEON (2 HOLES)	1
9	*****	CABINET		1
10	SD000778	SIDE HANDLE ASSEMBLY		2
11	SD000779	RADIATION GRILLE		2
12	SD000776	CORNER PROTECTOR		10
13	SD000780	CASTER SOCKET		2
14	SD000781	FOOT D38 T19 W		2
15	SD000840	D-BASS CORNER CUSHION		2
16	SD000837	CUSHION RADIATION GRILLE		2
17	SD000839	CUSHION 8X40 HI		4
18	SD000838	CUSHION 10X80 HI		4
	*****	SOUND CARPET	acoustic foam cushion	4
19	SD000789	FOOT TRAY		4

[Screws]

No	PART CODE	PART NAME	DISCRIPTION	Q'TY
b	40010478	SCREW M5X25	OVAL MACHINE FE BZC FOR HANDLE	24
j	SD000067	SCREW 3X12	TRUSS TAPTITE A1 BZC	20
k	40010112	SCREW M4X12	TRUSS MACHINE BZC	12
l	40010678	SCREW 4X20	TRUSS TAPPING A FE BZC	8
m	SD000827	SCREW 5X25	TRUSS TAPTITE A1 BZC	2
p	40010678	SCREW 4X20	TRUSS TAPPING A FE BZC	16

EXPLODED VIEW(CHASSIS 115X)



EXPLODED VIEW PARTS LIST (CHASSIS 115X)

[Parts]

No	PART CODE	PART NAME	DISCRIPTION	Q'TY
1	SD000199	MAIN BOARD ASSY		1
2	SD000203	AMP BOARD ASSY		1
3	SD000204	PS BOARD ASSY 100V		1
	SD000205	PS BOARD ASSY 117V		1
	SD000206	PS BOARD ASSY 230V		1
	SD000207	PS BOARD ASSY 240V		1
4	SD000199	D-BASS115X MAIN BOARD ASSY (PS1 BOARD)		1
5	SD000201	D-BASS115X PANEL BOARD ASSY		1
8	03782367	SEESAW SWITCH	JW-L11RKK	1
9	03782323	SW HOLDER	AT-218K	1
10	12369410RT	AC CORD HOLDER	1702B	6
11	22360705	CORD HOOK		2
12	SD000791	D-BASS KNOB W/SILVER PLATE		3
13	2249752100	PUSH BUTTON	BLACK #521	1
14	SD000832	D-BASS115X CHASSIS		1
15	SD000744	AMP CHASSIS		1
16	SD000717	PS CHASSIS		1
17	SD000847	SIDE CUSHION CHASSIS		2
18	SD000848	CUSHION 34X60		2
19	SD000849	CUSHION 12X35		4
20	SD000850	CUSHION 12X140		6
21	SD000852	CUSHION 4X550		2
22	SD000853	CUSHION 3X32 HI		2
23	SD000790	CHANNNEL		1
24	SD000846	CUSHION CHANNEL		1
25	SD000327	WIRING CLIP	CS-3U	9
26	SD000874	AC CORD	SP-18C WITH TERMINAL 100V 3P	1
	SD000178	AC CORD	SP-301 WITH TERMINAL 117V	1
	SD000176	AC CORD	SP-023 WITH TERMINAL 230V	1
	SD000180	AC CORD	SP-60 WITH TERMINAL 230VE	1
	SD000179	AC CORD	SP-502B WITH TERMINAL 240V	1
27	SD000851	CUSHION 4X65		2

[Screws]

No	PART CODE	PART NAME	DISCRIPTION	Q'TY
a	40012867	SCREW M3X8	PAN MACHINE W/SW+PW ZC	30
b	40565489	SCREW M4X25	PAN MACHINE W/SW BZC	2
c	40010301	SCREW M3X20	BINDING MACHINE BZC	6
e	22150756	JACK NUT 2	PLASTIC/BLK	2
f	17048630	VR ACCESSORY NUT M9		2
g	17048631	VR ACCESSORY WASHER M9		2
h	40128923	HEX NUT M7		1
i	17048651	VR ACCESSORY WASHER M7	M7X12X0.5 NO.476	1
j	40011756	FLANGE HEX NUT M3	ZC	2
k	40011767	FLANGE HEX NUT M4	FE ZC	2
l	40011889	EXTERNAL TOOTH WASHER M4	FECM	2
m	40237101	SCREW M3X8	PAN MACHINE W/SW+SMALL PW BZC	10

PARTS LIST(210/115)

SAFETY PRECAUTIONS:
The parts marked Δ have safety-related characteristics. Use only listed parts for replacement.

Due to one or more of the following reasons, parts with parts code ***** cannot be supplied as service parts.

- Part supplied only as a component in a complete assembly
- Copyright does not permit the part to be supplied
- Part is sold commercially

NOTE: The parts marked # are new. (initial parts) The description "Q'TY" means a necessary number of the parts per one product.

on M = MAIN BOARD, on PNL = PANEL BOARD, on PS1 = PS1 BOARD
(INCLUDE MAIN BOARD ASSY)

CASING

#	SD000735	CABINET ASSY		D-BASS210 only	1
#	SD000755	CABINET ASSY		D-BASS115 only	1
		NOTE:CABINET ASSY includes the following parts.			
	*****	D-BASS210 CABINET			1
	*****	D-BASS115 CABINET			1
Δ	22310207	HANDLE (H40)	231-207 W/ESCUCHEON (2 HOLES)		1
#	SD000776	CORNER PROTECTOR			8
#	Δ SD000778	SIDE HANDLE ASSEMBLY			2
#	Δ SD000779	RADIATION GRILLE			2
#	SD000780	CASTER SOCKET			4
#	SD000781	FOOT D38 T19 W			4
#	SD000837	CUSHION RADIATION GRILLE			2
#	SD000838	CUSHION 10X80 HI			4
#	SD000839	CUSHION 8X40 HI			4
#	SD000840	D-BASS CORNER CUSHION		acoustic foam cushion	2
	*****	SOUND CARPET			
#	SD000782	GRILLE		D-BASS210 only	1
#	SD000783	GRILLE		D-BASS115 only	1
#	SD000785	BADGE FFP H16.5 DAHW			1
#	SD000784	BADGE R H37 DAHW			1

CHASSIS

#	SD000744	AMP CHASSIS			1
#	SD000790	CHANNNEL			1
#	SD000787	CHASSIS			1
#	SD000786	CHASSIS			1
Δ	22360705	CORD HOOK			2
	SD000717	PS CHASSIS			1

KNOB,BUTTON

#	2249752100	PUSH BUTTON	BLACK #521		2
#	SD000791	D-BASS KNOB W/SILVER PLATE			10

SWITCH

	03568145	SLIDE SWITCH	SSAA120200	SSW1-2 on M	2
	13119218	ROTARY SWITCH	SRBM132400	RSW1 on PNL	1
	01782623	SWITCH	SPUP128100	PSW1-4 on PNL	4
Δ	03782367	SEESAW SWITCH	JW-L11RKK		1

JACK,EXT TERMINAL

	00122123	XLR CONNECTER	YKF52-5003	JK4 on M	1
	13449146	6.5MM JACK	YKB21-5012 (W/SW)	JK1-2 on PNL	2
	13449145	6.5MM JACK	YKB21-5010	JK5-6,JK8-9 on M	4
	13449252	6.5MM JACK	YKB21-5006 (STEREO W/SW)	JK3 on PNL, JK7,JK10 on M	3

SPEAKER, BUZZER

#	Δ SD000794	TWEETER TH08-416 A	TWEETER (8OHM)		1
#	Δ SD000793	WOOFER W1508-417 A	SPEAKER 15' (8OHM)	D-BASS115 only	1
#	Δ SD000792	WOOFER W1004-416 A	SPEAKER 10' (4OHM)	D-BASS210 only	2

PWB ASSY

	Δ SD000203	AMP BOARD ASSY			1
	Δ SD000204	PS BOARD ASSY 100V			1
	Δ SD000205	PS BOARD ASSY 117V			1

PWB ASSY					
	△	SD000206	PS BOARD ASSY 230V		1
	△	SD000207	PS BOARD ASSY 240V		1
		NOTE:Replacement AMP BOARD and PS BOARD ASSY should be made on a unit base.			
#		SD000197	MAIN BOARD ASSY	D-BASS210	1
#		SD000198	MAIN BOARD ASSY	D-BASS115	1
#		SD000857	PANEL BOARD ASSY		1
#		SD000202	SENSOR BOARD ASSY	D-BASS210 only	2
#		SD000202	SENSOR BOARD ASSY	D-BASS115 only	1
IC					
		03015923	S-80130ANMC	IC (RESET)	IC4 on M
		03015912	REGULATOR UPC2905T-T2	IC (REGULATOR)	IC23 on M
		01678512	UPC2933T-T2	IC (REGULATOR)	IC8 on M
		01899790	UPC29L33T-E2	IC (REGULATOR)	IC24 on M
		15289106	M5238AFP-600C	IC (JFET OP AMP)	IC1 on PNL
		03562245	HN58X2402SFPI	IC (EEPROM)	IC3 on M
		02231767	RA0A-101 (TC223C080AF-101)	IC (DSP)	IC2 on M
#		03900512	HD64F36049HV	IC (CPU)	IC1 on M
		15189261	M5218AFP-600E	IC (BIPOLAR OP AMP)	IC18,IC22,IC25 on M
		00346445	NJM2100M(TE3)	IC (BIPOLAR OP AMP)	IC11-12,IC14-16 on M
		01125012	NJM4556AM	IC (BIPOLAR OP AMP)	IC21 on M
		15289105	UPC4570G2-E2	IC (BIPOLAR OP AMP)	IC13,IC17,IC19-20,IC26 on M, IC2,IC3 on PNL
		02453878	AK4528VF	IC (AD/DA)	IC5-6 on M
		02451434	AK4552VT	IC (AD/DA)	IC7 on M
#		SD000795	74HC4052PW	IC	IC9 on M
TRANSISTOR					
		15309104	2SA1586-GR(TE85R)	TRANSISTOR	Q14,Q17 on M
		15319107	2SC4116-GR(TE85R)	TRANSISTOR	Q1-3,Q16 on M
#		SD000796	2SK1828	TRANSISTOR	Q6-7 on M
		15329536	RN1442-A(TE85L)	TRANSISTOR	Q10-13,Q15,Q19,Q21,Q23-25 on M
		15329103T0	2SK880-GR(TE85R)	FET	Q8 on M
		15329505	DTC314TK T146	DIGITAL TRANSISTOR	Q18 on M
DIODE					
		01019534	1SS355 TE-17	SWITCHING DIODE	D7-9 on M, D1-2,D9-10 on PNL
		03349978	L-34HDSL-FPB	LED(RED)	LED1-2 on PNL
		02902278	L-934MBD	LED (BLUE)	LED3 on PNL
		15339120T0	1SS302(TE85R)	ARRAY DIODE	DA3-12 on M
		15339120T0	1SS302(TE85R)	ARRAY DIODE	DA1-2 on PNL
RESISTOR					
		00344278	EXBV8V102JV	RESISTOR ARRAY	RA3-4 on M
		15409113	EXBV8V103JV	RESISTOR ARRAY	RA1-2,RA5-7,RA9 on M
		01566267	EXBV8V473JV	R-ARRAY	RA8 on M
#		SD000798	100 OHM 1/2W	CHIP RESISTOR	R64,R83,R154,R166 on M
#		SD000797	33 OHM 1/2W	CHIP RESISTOR	R34,R38 on M
		SD000149	220 OHM 1/2W	CHIP RESISTER	R82,R63 on M
POTENTIOMETER					
#		SD000801	RD901F-20E3-15FW-A100K-00D	ROTARY POTENSIOMETER	VR1 on PNL
#		SD000802	RD901F-20E3-15FW-B10K-00D	ROTARY POTENSIOMETER	VR5,VR2 on PNL
#		SD000799	RD901F-20E3-15FW-B10K-0CD	ROTARY POTENSIOMETER	VR3-4,VR6-8 on PNL
#		SD000800	RD904F-20B3-15FW-B10K	ROTARY POTENSIOMETER	VR9 on PNL
CAPACITOR					
		01563712	ECQV1H105JL3	M.POLYEST. CAPACITOR	C12,C24 on PNL
#	△	SD000804	100UF/16V 105DEG.	ELECTROLYTIC CAPACITOR	C17,C19,C226,C231,C234,C256 on M
#		SD000803	470UF/16V BP	ELECTROLYTIC CAPACITOR	C153,C163 on M
		13639547M1	ECA1CM220B	CHEMICAL CAPACITOR	C195,C213 on M, C20 on PNL
		13639549	ECA1CM470B	CHEMICAL CAPACITOR	C28 on PNL
		13639609M0	ECA1HM470B	CHEMICAL CAPACITOR	C94,C112 on M
		02458989	ECA1VM471B	CHEMICAL CAPACITOR	C220,C222,C227 on M
		13639602	ECEA1HM010B	CHEMICAL CAPACITOR	C54,C56,C172,C253 on M
		13639606M0	ECEA1HM100B 10UF/50V	CHEMICAL CAPACITOR	C22,C53,C61-66,C92,C100-101,C110-111,C123,C125,C130-131,C142,C147-148,C155,C160,C164-165,C175,C181-182,C185,C187,C200,C208,C217,C244 on M, C2,C5,C9,C11,C13,C17-19,C33,C38,C51,C61 on PN

INDUCTOR/COIL/FILTER						
	△	SD000248	BLM21AG102SN1 1608	EMI FILTER	L47 on M, L4,L5 on PNL	3
CRYSTAL/RESONATOR						
		02904134	CX-49G 10MHZ	CRYSTAL	X1 on M	1
		02672401	SG-8002JC 67.7376MHZ PC	CRYSTAL	X2 on M	1
CONNECTOR						
		13369541	B10B-PH-K-S	CONNECTOR	CN3,CNA3 on M, CNB3 on PNL	3
		13369564	B12B-PH-K-S JST	CONNECTOR	CNA4 on M, CNB4 on PNL	2
		13369562	B15B-PH-K-S JST	CONNECTOR	CN2 on M	1
	△	13369898	B2P3-VH 7A /250V	CONNECTOR	CN1 on PS1	1
		13369515	B5B-PH-K-S JST	CONNECTOR	CNA1 on M, CNB1 on PNL	2
		13369566	B6B-PH-K-S JST(6P)	CONNECTOR	CNA5 on M, CNB5 on PNL	2
		13369503	B7B-PH-K-S JST	CONNECTOR	CN7 on M	1
		13369504	B8B-PH-K-S JST	CONNECTOR	CN4 on M	1
		13369516	B9B-PH-KS JST	CONNECTOR	CNA2 on M, CNB2 on PNL	2
WIRING, CABLE						
#		SD000806	WIRING W2 (210/115: L=230)	(9P)		1
#		SD000824	WIRING W14 (115: L=920)	(8P)	D-BASS115 ONLY	1
#		SD000823	WIRING W14 (210: L=1100/920)	(8P)	D-BASS210 ONLY	1
#		SD000825	WIRING W15 (210/115: L=900)	(7P)		1
#		SD000809	WIRING W5 (210/115: L=410)	(6P)		1
#		SD000805	WIRING W1 (210/115: L=250)	(4P)		1
#		SD000822	WIRING W13 (L=500)	(3P)		1
#		SD000813	WIRING W9 (210/115: L=50)	(3P)		1
#	△	SD000821	WIRING W12B (115: L=630)	(2P YEL)	AMP-CN2 to WOOFER (115 ONLY)	1
#	△	SD000818	WIRING W12B (210: L=600)	(2P YEL/PUR)	AMP-CN2 to WOOFER (210ONLY)	1
#	△	SD000817	WIRING W12A (210: L=800)	(2P RED/BLK)	AMP-CN1 to WOOFER (210 ONLY)	1
#	△	SD000819	WIRING W12C (210/115: L=600)	(2P ORG/BRW)	AMP-CN6 to TWEETER	1
#	△	SD000815	WIRING W10B (L=100)	(2P BROWN)	PS1-CN1 to PS-CN901 (230/240V ONLY)	1
#	△	SD000820	WIRING W12A (115: L=680)	(2P BLK)	AMP-CN1 to WOOFER (115 ONLY)	1
#	△	SD000814	WIRING W10A (L=100)	(2P BLACK)	PS1-CN1 to PS-CN901 (100/117V ONLY)	1
#	△	SD000816	WIRING W11 (L=120)	(1P BLACK)	MAIN-WP51,2 to POWER SW	2
#	△	SD000826	WIRING W16 (L=300)	(1P BLACK)	PS-WP901 to CHASSIS	1
#		SD000811	WIRING W7 (L=130)	(15P)		1
#	△	SD000810	WIRING W6 (L=350)	(14P)	PS-CN902 to AMP-CN902	1
#		SD000808	WIRING W4 (210/115: L=580)	(12P)		1
#		SD000807	WIRING W3 (210/115: L=390)	(10P)		1
#		SD000812	WIRING W8 (L=300)	(10P)		1
AC CORD ASSY (Installed)						
	△	SD000176	SP-023 WITH TERMINAL 230V	AC CORD		1
	△	SD000874	SP-18C WITH TERMINAL 100V 3P	AC CORD		1
	△	SD000178	SP-301 WITH TERMINAL 117V	AC CORD		1
	△	SD000179	SP-502B WITH TERMINAL 240V	AC CORD		1
	△	SD000180	SP-60 WITH TERMINAL 230VE	AC CORD		1
SCREWS						
		40011756	FLANGE HEX NUT M3	ZC		2
		SD000067	SCREW 3X12	TRUSS TAPTITE A1 BZC	for CORNER PROTECTOR	16
#		SD000827	SCREW 5X25	TRUSS TAPTITE A1 BZC	for FOOT	4
		40010678	SCREW 4X20	TRUSS TAPPING A FE BZC	for CASTER SOCKET	16
#		SD000828	SCREW M5X20	TRUSS MACHINE BZC	for CHASSIS	14
		22150756	JACK NUT 2	PLASTIC/BLK	for JK1-3 on PNL, JK5-10 on M	9
		40237101	SCREW M3X8	PAN MACHINE W/SW+SMALL PW BZC	for AMP,PS BOARD	10
		40012867	SCREW M3X8	PAN MACHINE W/SW+PW ZC	for MAIN, AMP,PS1,PANEL BOARD / AMP,PS CHASSIS / CHANNNEL	31
#		40565489	SCREW M4X25	PAN MACHINE W/SW BZC	for CORD HOOK	2
		40010478	SCREW M5X25	OVAL MACHINE FE BZC FOR HANDL	for TOP HANDLE, SIDE HANDLE	24
		40230778	SCREW 3X8	OVAL MACHINE BZC	for BADGE	4
		40010601	SCREW M5X35	ORIGINAL TRUSS MACHINE FE BZC	for GRILLE	6
#		SD000829	SCREW M4X25	ORIGINAL TRUSS MACHINE BZC	for 15" WOOFER (115 ONLY)	6
#		SD000829	SCREW M4X25	ORIGINAL TRUSS MACHINE BZC	for TWEETER	4
		17048651	VR ACCESSORY WASHER M7	M7X12X0.5 NO.476	for RSW1, VR9 on PNL	2
		40010112	SCREW M4X12	FLAT ZC	for RADIATION GRILLE	12
		40011889	EXTERNAL TOOTH WASHER M4	FECM		2
		40011767	FLANGE HEX NUT M4	FE ZC		2
		40011689	SPEED NUT M3	F-TYPE	for BADGE	4
#		SD000831	SCREW M3X10	CAP SCREW D6 W/SW BZC	for WOOFER to SENSOR (210 ONLY)	6
#		SD000831	SCREW M3X10	CAP SCREW D6 W/SW BZC	for WOOFER to SENSOR (115 ONLY)	3
		40011312	SCREW 3X8	BINDING TAPTITE P BZC]for SENSOR HOLDER to SENSOR PCB (115 ONLY)	3

SCREWS					
	40011312	SCREW 3X8	BINDING TAPTITE P BZC	for SENSOR HOLDER to SENSOR PCB (210 ONLY)	6
	40011312	SCREW 3X8	BINDING TAPTITE P BZC	for JK4 on M	2
	40010301	SCREW M3X20	BINDING MACHINE BZC	for AC CORD HOLDER	2
	40010367	SCREW M4X25	BINDING MACHINE BZC	for 10" WOOFER (210 ONLY)	8
	40128923	HEX NUT M7		for RSW1, VR9 on PNL	2
	17048630	VR ACCESSORY NUT M9		for VR1-8 on PNL	8
	17048631	VR ACCESSORY WASHER M9		for VR1-8 on PNL	8
PACKING					
#	SD000836	BOTTOM PAD	CARDBOARD		1
#	SD000835	TOP PAD	CARDBOARD		1
#	SD000833	PACKING CASE		D-BASS210 only	1
#	SD000834	PACKING CASE		D-BASS115 only	1
MISCELLANEOUS					
	△	C2000001	TERMINAL	PT1870502	TER1,TER2 on PS1
		SD000327	WIRING CLIP	CS-3U	9
	△	03782323	SW HOLDER	AT-218K	1
	△	12369410RT	AC CORD HOLDER	1702B	2
		SD000266	AC CORD BAND (BLACK)		1
#		SD000850	CUSHION 12X140	for CHASSIS	6
#		SD000849	CUSHION 12X35	for CHASSIS	4
#		SD000848	CUSHION 34X60	for CHASSIS	2
#		SD000853	CUSHION 3X32 HI	for AC SW HOLDER	2
#		SD000852	CUSHION 4X550	for FRONT PANEL	2
#		SD000851	CUSHION 4X65	for FRONT PANEL	2
#		SD000844	CUSHION 8X30 HI	for BADGE FFP H16.5	3
#		SD000845	CUSHION BADGE R37 DAHW	for BADGE R H37 DAHW	1
#		SD000846	CUSHION CHANNEL	for CHANNNEL	1
#		SD000841	CUSHION GRILLE 34X520	for GRILLE	2
#		SD000847	SIDE CUSHION CHASSIS	for CHASSIS	2
#		SD000843	SIDE CUSHION GRILLE	for GRILLE (115 ONLY)	2
#		SD000842	SIDE CUSHION GRILLE	for GRILLE (210 ONLY)	2
#		SD000875	SPEAKER CABLE BUSH		1
#		SD000876	SPEAKER SENSOR HOLDER HI-TEMP		2(210) 1(115)
ACCESSORIES (Standard)					
#	SD000218	OWNER'S MANUAL	JAPANESE		1
#	SD000219	OWNER'S MANUAL	ENGLISH		1
#	SD000856	CASTER (W/O SOCKET)			4

PARTS LIST(115X)

SAFETY PRECAUTIONS:
The parts marked Δ have safety-related characteristics. Use only listed parts for replacement.

Due to one or more of the following reasons, parts with parts code ***** cannot be supplied as service parts.

- Part supplied only as a component in a complete assembly
- Copyright does not permit the part to be supplied
- Part is sold commercially

NOTE: The parts marked # are new. (initial parts) The description "Q'TY" means a necessary number of the parts per one product.

on M = MAIN BOARD, on PNL = PANEL BOARD, on PS1 = PS1 BOARD
(INCLUDE MAIN BOARD ASSY)

CASING

#	SD000788	CABINET ASSY			1
		NOTE:CABINET ASSY includes the following parts.			
	*****	CABINET			1
Δ	22310207	HANDLE (H40)	231-207 W/ESCUCHEON (2 HOLES)		1
	SD000776	CORNER PROTECTOR			10
Δ	SD000778	SIDE HANDLE ASSEMBLY			2
Δ	SD000779	RADIATION GRILLE			2
	SD000780	CASTER SOCKET			4
	SD000781	FOOT D38 T19 W			4
	SD000837	CUSHION RADIATION GRILLE			
	SD000839	CUSHION 8X40 HI			4
	SD000838	CUSHION 10X80 HI			4
	SD000840	D-BASS CORNER CUSHION			2
#	SD000789	FOOT TRAY			4
	*****	SOUND CARPET		acoustic foam cushion	
#	SD000830	CASTER ANGLE			2
	SD000783	GRILLE			1
	SD000784	BADGE R H37 DAHW			1
	SD000785	BADGE FFP H16.5 DAHW			1

CHASSIS

	SD000744	AMP CHASSIS			1
	SD000790	CHANNNEL			1
#	SD000832	CHASSIS			1
Δ	22360705	CORD HOOK			2
	SD000717	PS CHASSIS			1

KNOB,BUTTON

	2249752100	PUSH BUTTON	BLACK #521		1
	SD000791	D-BASS KNOB W/SILVER PLATE			3

SWITCH

Δ	01782623	SWITCH	SPUP128100	PSW1 on XPNL	1
	03782367	SEESAW SWITCH	JW-L11RKK		1

JACK,EXT TERMINAL

	13449146	6.5MM JACK	YKB21-5012 (W/SW)	JK1 on XPNL	1
	13449145	6.5MM JACK	YKB21-5010	JK2 on XPNL	1

SPEAKER, BUZZER

Δ	SD000794	TWEETER TH08-416 A	TWEETER (8OHM)		1
Δ	SD000793	WOOFER W1508-417 A	SPEAKER 15' (8OHM)		1

PWB ASSY

Δ	SD000203	AMP BOARD ASSY			1
Δ	SD000204	PS BOARD ASSY 100V			1
Δ	SD000205	PS BOARD ASSY 117V			1
Δ	SD000206	PS BOARD ASSY 230V			1
Δ	SD000207	PS BOARD ASSY 240V			1
		NOTE:Replacement AMP BOARD and PS BOARD ASSY should be made on a unit base.			
#	SD000199	MAIN BOARD ASSY			1
#	SD000201	PANEL BOARD ASSY			1
#	SD000202	SENSOR BOARD ASSY			1

IC					
	03015923	S-80130ANMC	IC (RESET)	IC4 on M	1
	03015912	REGULATOR UPC2905T-T2	IC (REGULATOR)	IC23 on M	1
	01678512	UPC2933T-T2	IC (REGULATOR)	IC8 on M	1
	01899790	UPC29L33T-E2	IC (REGULATOR)	IC24 on M	1
	03562245	HN58X2402SFPI	IC (EEPROM)	IC3 on M	1
	02231767	RA0A-101 (TC223C080AF-101)	IC (DSP)	IC2 on M	1
	15189261	M5218AFP-600E	IC (BIPOLAR OP AMP)	IC25 on M	1
	15189250	M5218AL	IC (BIPOLAR OP AMP)	IC1 on XPNL	1
	00346445	NJM2100M(TE3)	IC (BIPOLAR OP AMP)	IC11-12,16 on M	3
	15289105	UPC4570G2-E2	IC (BIPOLAR OP AMP)	IC17,20 on M	2
	02453878	AK4528VF	IC (AD/DA)	IC5 on M	1
	02451434	AK4552VT	IC (AD/DA)	IC7 on M	1
	03900512	HD64F36049HV	IC (16BIT CPU)	IC1 on M	1
#	SD000795	74HC4052PW	IC	IC9 on M	1
TRANSISTOR					
	15309104	2SA1586-GR(TE85R)	TRANSISTOR	Q14,Q17 on M	2
	15129152	2SC2878-A(TPE2)	TRANSISTOR	Q1 on XPNL	1
	15319107	2SC4116-GR(TE85R)	TRANSISTOR	Q1-3,Q16 on M	4
	SD000796	2SK1828	TRANSISTOR	Q7 on M	1
	15329536	RN1442-A(TE85L)	TRANSISTOR	Q23-25 on M	3
	15329103T0	2SK880-GR(TE85R)	FET	Q8 on M	1
DIODE					
	15019126	1SS133 T-77	SWITCHING DIODE	D1-2 on XPNL	2
	01019534	1SS355 TE-17	SWITCHING DIODE	D7-9 on M	3
	03349978	L-34HDSL-FPB	LED(RED)	LED2 on XPNL	1
	03349989	L-34GDSL-FPB	LED (GREEN)	LED1 on XPNL	1
	15339120T0	1SS302(TE85R)	ARRAY DIODE	DA7-8 on M	2
RESISTOR					
	00344278	EXBV8V102JV	RESISTOR ARRAY	RA3-4 on M	2
	15409113	EXBV8V103JV	RESISTOR ARRAY	RA1-2,RA5-7,RA9 on M	6
	01566267	EXBV8V473JV	R-ARRAY	RA8 on M	1
	SD000797	33 OHM 1 / 2W	CHIP RESISTOR	R38 on M	1
POTENTIOMETER					
	SD000802	RD901F-20E3-15FW-B10K-00D	ROTARY POTENSIO METER	VR2 on XPNL	1
	SD000799	RD901F-20E3-15FW-B10K-0CD	ROTARY POTENSIO METER	VR1 on XPNL	1
	SD000800	RD904F-20B3-15FW-B10K	ROTARY POTENSIO METER	VR3 on XPNL	1
CAPACITOR					
	SD000804	100UF/16V 105DEG.	ELECTROLYTIC CAPACITOR	C17,C19,C226,C231,C234,C256 on M	6
	02458989	ECA1VM471B	CHEMICAL CAPACITOR	C220,C222,C227 on M	3
	13639602	ECEA1HM010B	CHEMICAL CAPACITOR	C56,C172,C253 on M	3
	13639606M0	ECEA1HM100B 10UF/50V	CHEMICAL CAPACITOR	CC22,C53,C61,C63-66,C100-101,C110-111,C123,C125,C130,C147-148,C155,C160,C165,C181,C244 on M, C6,C7,C14,C19,C26 on XPNL	26
INDUCTORÅACOILÅAFILTER					
	SD000248	BLM21AG102SN1 1608	EMI FILTER	L47 on M	1
CRYSTALÅARESONATOR					
	02904134	CX-49G 10MHZ	CRYSTAL	X1 on M	1
	02672401	SG-8002JC 67.7376MHZ PC	CRYSTAL	X2 on M	1
CONNECTOR					
	13369541	B10B-PH-K-S	CONNECTOR	CN3,CNA3 on M, CNB3 on XPNL	3
	13369564	B12B-PH-K-S JST	CONNECTOR	CNA4 on M, CNB4 on XPNL	2
	13369562	B15B-PH-K-S JST	CONNECTOR	CN2 on M	1
	13369898	B2P3-VH 7A / 250V	CONNECTOR	CN1 on PS1	1
	13369515	B5B-PH-K-S JST	CONNECTOR	CNA1 on M, CNB1 on XPNL	2
	13369566	B6B-PH-K-S JST(6P)	CONNECTOR	CNA5 on M, CNB5 on XPNL	2
	13369503	B7B-PH-K-S JST	CONNECTOR	CN7 on M	1
	13369504	B8B-PH-K-S JST	CONNECTOR	CN4 on M	1
	13369516	B9B-PH-KS JST	CONNECTOR	CNA2 on M, CNB2 on XPNL	2

WIRING, CABLE

#		SD000855	WIRING W2 (115X: L=250)	(9P)		1
#		SD000864	WIRING W14 (115X: L=1000)	(8P)		1
#		SD000865	WIRING W15 (115X: L=1000)	(7P)		1
#		SD000860	WIRING W5 (115X: L=270)	(6P)		1
#		SD000854	WIRING W1 (115X: L=270)	(4P)		1
		SD000822	WIRING W13 (L=500)	(3P)		1
#	△	SD000862	WIRING W12B (115X: L=680)	(2P YEL)	AMP-CN2 to WOOFER	1
#	△	SD000863	WIRING W12C (115X: L=680)	(2P ORG/BRW)	AMP-CN6 to TWEETER	1
	△	SD000815	WIRING W10B (L=100)	(2P BROWN)	PS1-CN1 to PS-CN901 (230/240V ONLY)	1
#	△	SD000861	WIRING W12A (115X: L=730)	(2P BLK)	AMP-CN1 to WOOFER	1
	△	SD000814	WIRING W10A (L=100)	(2P BLACK)	PS1-CN1 to PS-CN901 (100/117V ONLY)	1
	△	SD000816	WIRING W11 (L=120)	(1P BLACK)	MAIN-WPS1,2 to POWER SW	2
	△	SD000826	WIRING W16 (L=300)	(1P BLACK)	PS-WP901 to CHASSIS	1
		SD000811	WIRING W7 (L=130)	(15P)		1
	△	SD000810	WIRING W6 (L=350)	(14P)	PS-CN902 to AMP-CN902	1
#		SD000859	WIRING W4 (115X: L=400)	(12P)		1
#		SD000858	WIRING W3 (115X: L=270)	(10P)		1
		SD000812	WIRING W8 (L=300)	(10P)		1

AC CORD ASSY (Installed)

	△	SD000176	SP-023 WITH TERMINAL 230V	AC CORD		1
	△	SD000874	SP-18C WITH TERMINAL 100V 3P	AC CORD		1
	△	SD000178	SP-301 WITH TERMINAL 117V	AC CORD		1
	△	SD000179	SP-502B WITH TERMINAL 240V	AC CORD		1
	△	SD000180	SP-60 WITH TERMINAL 230VE	AC CORD		1

SCREWS

		40011756	FLANGE HEX NUT M3	ZC		6
		SD000067	SCREW 3X12	TRUSS TAPTITE A1 BZC	for CORNER PROTECTOR	20
		SD000827	SCREW 5X25	TRUSS TAPTITE A1 BZC	for FOOT	2
		40010678	SCREW 4X20	TRUSS TAPPING A FE BZC	for CASTER SOCKET	8
		SD000828	SCREW M5X20	TRUSS MACHINE BZC	for CHASSIS, FOOT, CASTER ANGLE	28
		22150756	JACK NUT 2	PLASTIC/BLK	for JK1-2 on XPNL	2
		40237101	SCREW M3X8	PAN MACHINE W/SW+SMALL PW BZC	for AMP,PS BOARD	10
		40012867	SCREW M3X8	PAN MACHINE W/SW+PW ZC	for MAIN, AMP,PS1,PANEL BOARD / AMP,PS CHASSIS / CHANNNEL	31
		40230245	SCREW M4X12	PAN MACHINE W/SW+PW BZC	for CASTER SOCKET	8
		40565489	SCREW M4X25	PAN MACHINE W/SW BZC	for CORD HOOK	2
		40010478	SCREW M5X25	OVAL MACHINE FE BZC FOR HANDL	for TOP HANDLE, SIDE HANDLE	24
		40230778	SCREW 3X8	OVAL MACHINE BZC	for BADGE	4
		40010601	SCREW M5X35	ORIGINAL TRUSS MACHINE FE BZC	for GRILLE	6
		SD000829	SCREW M4X25	ORIGINAL TRUSS MACHINE BZC	for TWEETER	4
		SD000829	SCREW M4X25	ORIGINAL TRUSS MACHINE BZC	for 15" WOOFER	6
		17048651	VR ACCESSORY WASHER M7	M7X12X0.5 NO.476	for VR3 on XPNL	2
		40010112	SCREW M4X12	FLAT ZC	for RADIATION GRILLE	12
		40011889	EXTERNAL TOOTH WASHER M4	FECM		2
		40011767	FLANGE HEX NUT M4	FE ZC		2
		40011689	SPEED NUT M3	F-TYPE	for BADGE	4
		SD000831	SCREW M3X10	CAP SCREW D6 W/SW BZC	for WOOFER to SENSOR	3
		40011312	SCREW 3X8	BINDING TAPTITE P BZC]for SENSOR HOLDER to SENSOR PCB	3
		40010301	SCREW M3X20	BINDING MACHINE BZC	for AC CORD HOLDER	6
		40128923	HEX NUT M7		for VR3 on XPNL	2
		17048630	VR ACCESSORY NUT M9		for VR1-2 on XPNL	2
		17048631	VR ACCESSORY WASHER M9		for VR1-2 on XPNL	2

PACKING

#		SD000868	BOTTOM PAD	CARDBOARD	D-BASS115X only	1
#		SD000867	TOP PAD	CARDBOARD	D-BASS115X only	1
#		SD000866	PACKING CASE		D-BASS115X only	1

MISCELLANEOUS

	△	C2000001	TERMINAL	PT1870502	TER1,TER2 on PS1	2
		SD000327	WIRING CLIP	CS-3U		9
	△	03782323	SW HOLDER	AT-218K		1
	△	12369410RT	AC CORD HOLDER	1702B		6
		SD000266	AC CORD BAND (BLACK)			1
		SD000850	CUSHION 12X140		for CHASSIS	6
		SD000849	CUSHION 12X35		for CHASSIS	4
		SD000848	CUSHION 34X60		for CHASSIS	2
		SD000853	CUSHION 3X32 HI		for AC SW HOLDER	2
		SD000852	CUSHION 4X550		for FRONT PANEL	2
		SD000851	CUSHION 4X65		for FRONT PANEL	2
		SD000844	CUSHION 8X30 HI		for BADGE FFP H16.5	3
		SD000845	CUSHION BADGE R37 DAHW		for BADGE R H37 DAHW	1

MISCELLANEOUS

	SD000846	CUSHION CHANNEL	for CHANNNEL	1
	SD000841	CUSHION GRILLE 34X520	for GRILLE	2
	SD000847	SIDE CUSHION CHASSIS	for CHASSIS	2
	SD000843	SIDE CUSHION GRILLE	for GRILLE	2
#	SD000875	SPEAKER CABLE BUSH		1
#	SD000876	SPEAKER SENSOR HOLDER HI-TEMP		1

ACCESSORIES

#	SD000218	OWNER'S MANUAL	JAPANESE	1
#	SD000219	OWNER'S MANUAL	ENGLISH	1
	SD000856	CASTER (W/O SOCKET)		4

CHECKING THE VERSION NUMBER

Items Required

- BOSS FS-5U foot switches (optional, sold separately) 1pc
- Foot switch connector cable (PHONE-PHONE)

[SETTING OF FRONT PANEL]

Name of SW or VOL	state
PICKUP TYPE	PASSIVE
GAIN	Minimum(0)
AMP TYPE	MODERN
SHAPE	OFF
MODE	STANDARD
COMPRESSION	Minimum(0)
BASS	Minimum(-)
MIDDLE	Minimum(-)
FREQUENCY	Minimum(100)
TREBLE	Minimum(-)
TWEETER	Minimum(-)
EFFECT BLEND	Minimum(DIRECT)
VOLUME	Minimum(0)
MUTE	OFF
POWER	OFF

[SETTING AND CONNECT OF REAR PANEL]

Name of SW or VOL	state
GND LIFT	OFF
SELECT	DI OUT
FOOT SW	Connect the foot switch



Set the FS-5U's POLARITY switch to the JACK side.

Version number display mode cannot be entered unless the connections and panel settings are made correctly.

[Confirmation method]

1. While depressing the foot switch, switch on the power. The MUTE LED and POWER LED each flash at this time.
2. Within 4 seconds after switching on the power, switch the SELECT switch on the REAR PANEL from DI OUT -> LINE OUT -> DI OUT.
3. Use the MUTE and POWER LEDs to confirm the model display.

Model	MUTE LED	POWER LED
D-BASS210	blink	blink
D-BASS115	light	light



If the POWER LED blinks rapidly, the temperature SENSOR is not OK. Confirm the connection of MAIN BOARD, AMP BOARD and PS BOARD.

4. Turn on SHAPE switch.
5. Confirm the version number by MUTE, POWER LED.

Version	MUTE LED	POWER LED
Ver. 1.0	dark	light
Ver. 2.0	dark	blink
Ver. 3.0	light	dark
Ver. 4.0	light	light
Ver. 5.0	light	blink

6. Turn off the power.

TEST MODE(210/115)

Items Required

- BOSS FS-5U foot switches (optional, sold separately) 1pc
- Foot switch connector cable (PHONE-PHONE)
- Blank plug

Entering Test Mode

1. Set the unit as follows.

[SETTING OF FRONT PANEL]

name of SW or JACK	state
PICKUP TYPE	PASSIVE
GAIN	Minimum(0)
AMP TYPE	MODERN
SHAPE	OFF
MODE	STANDARD
COMPRESSION	Minimum(0)
BASS	Minimum(-)
MIDDLE	Minimum(-)
FREQUENCY	Minimum(100)
TREBLE	Minimum(-)
TWEETER	Minimum(-)
EFFECT BLEND	Minimum(DIRECT)
VOLUME	Minimum(0)
MUTE	OFF
POWER	OFF

[SETTING AND CONNECTING OF REAR PANEL]

name of SW or JACK	state
GND LIFT	OFF
SELECT	DI OUT
FOOT SW	CONNECT THE FOOT SWITCH



Set the FS-5U's POLARITY switch to the JACK side.

Test mode cannot be entered unless the connections and panel settings are made correctly.

2. While depressing the foot switch, switch on the power. The MUTE LED and POWER LED each flash at this time.
3. Within 4 seconds after switching on the power, switch the SELECT switch on the REAR PANEL from DI OUT -> LINE OUT -> DI OUT.

Exiting Test Mode

Turn off the power to exit Test Mode.

Skipping

Test categories cannot be skipped.

Test Items

1. Model display
2. Version display
3. CPU/DSP/EEPROM/SENSOR test
4. Switch test
5. Volume test

Test Category Details

1. Model display

After entering Test Mode, display the model. Use the MUTE and POWER

LEDs to confirm the model display.

Model	MUTE LED	POWER LED
D-BASS210	blink	blink
D-BASS115	light	light



If the POWER LED blinks rapidly, the temperature SENSOR is not OK. Confirm the connection of MAIN BOARD, AMP BOARD and PS BOARD.

2. Version display

Turn on SHAPE switch.

Confirm the version number by MUTE, POWER LED.

Version	MUTE LED	POWER LED
Ver. 1.0	dark	light
Ver. 2.0	dark	blink
Ver. 3.0	blink	dark
Ver. 4.0	blink	light
Ver. 5.0	blink	blink

3. CPU/DSP/EEPROM/SENSOR test

1. Turn off SHAPE switch.
2. The MUTE and POWER LEDs go dark and the CPU/DSP/EEPROM/SENSOR test starts automatically.
3. After approx. 2 seconds, the test results are displayed.

If the test passes

The LEDs appear as follows.

State	MUTE LED	POWER LED
Test OK	blink	light

If the test passes, the procedure automatically advances to the next test.

If the test fails

The LEDs appear as follows.

state	MUTE LED	POWER LED
CPU,DSP,EEPROM error	blink	dark
SPEAKER SENSOR error	dark	blink
Temperature SENSOR(AMP,PS) error	blink	blink
All SENSOR error	blink rapidly	blinks rapidly

If the test fails, advancing to the next item is impossible.

4.SWITCH TEST

Operate the switches in the sequence described below.

1. **MODE SWITCH TEST**
Turn on MODE switch. POWER LED is dark.
Turn off MODE switch. MUTE LED blinks.
2. **MUTE SWITCH TEST**
Turn on MUTE switch. MUTE LED is dark.
Turn off MUTE switch. MUTE LED blinks.
3. **PHONES JACK test**
Insert the blank plug in PHONES JACK. MUTE LED is dark.
Remove the PHONES blank plug in PHONES JACK.MUTE LED blinks.
4. **FOOT SW test**
Press the FOOT SW. MUTE LED is dark.
Remove the cable from FOOT SW JACK. MUTE LED blinks.
5. **EFFECT RETURN JACK test**
Insert the blank plug in EFFECT RETURN JACK. MUTE LED is dark.
Remove the PHONES blank plug in EFFECT RETURN JACK. MUTE LED blinks.
6. **AMP TYPE SWITCH TEST**
AMP TYPE switch position is VINTAGE. MUTE LED is dark.

AMP TYPE switch position is SUPER FLAT. MUTE LED blinks

AMP TYPE switch position is VINTAGE. MUTE LED is dark.

AMP TYPE switch position is MODERN. MUTE LED blinks.

If all switch tests pass, MUTE LED is dark and the procedure advances automatically to the 5. Volume test.

5. VOLUME TEST

Operate the volume knobs in the sequence described below (MIN -> CENTER -> MAX).

Confirm that the LED display and the volume level of the speaker change according to the operated position of the test volume.

[LED DISPLAY]

KNOB POSITION	MUTE LED	POWER LED
MIN	dark	dark
half the Left	light	dark
CENTER	light	light
half the Right	light	light
MAX	dark	dark

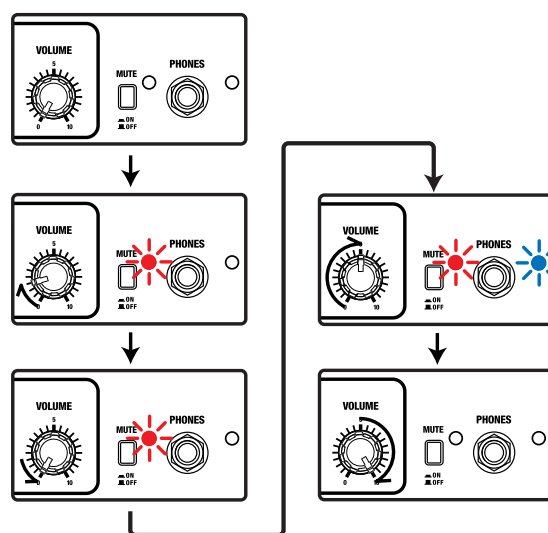


Never leave the unit with sound coming from the speaker. The output circuit may be damaged.

1. COMPRESSION KNOB
2. BASS KNOB(confirm the center click)
3. MIDDLE KNOB(confirm the center click)
4. FREQUENCY KNOB
5. TREBLE KNOB(confirm the center click)
6. TWEETER KNOB(confirm the center click)
7. EFFECT BLEND KNOB(confirm the center click)
8. VOLUME KNOB



Test after first raising the level of all volume knobs slight then again lowering them to minimum, as described below.



If volume detection fails, advancing to the next volume knob is impossible.

9. When testing of all volume knobs ends, the MUTE LED blinks and POWER LED lights and sound stops.

This completes the inspection procedure. Switch off the power.

SPEAKER CALIBRATION (210/115)

When replacing the circuit board or woofer, be sure to perform speaker calibration.

Items Required

- BOSS FS-5U foot switches (optional, sold separately) 1pcs
- Foot switch connector cable (PHONE-PHONE)

[SETTING OF FRONT PANEL]

Name of SW and JACK	state
PICKUP TYPE	PASSIVE
GAIN	Minimum(0)
AMP TYPE	MODERN
SHAPE	OFF
MODE	STANDARD
COMPRESSION	Minimum(0)
BASS	Minimum(-)
MIDDLE	Minimum(-)
FREQUENCY	Minimum(100)
TREBLE	Minimum(-)
TWEETER	Minimum(-)
EFFECT BLEND	Minimum(DIRECT)
VOLUME	Minimum(0)
MUTE	OFF
POWER	OFF

[SETTING AND CONNECTING OF REAR PANEL]

Name of SW and JACK	state
GND LIFT	OFF
SELECT	DI OUT
FOOT SW	Connect the foot switch



Set the FS-5U's POLARITY switch to the JACK setting. Speaker calibration cannot be entered unless the connections and panel settings are made correctly.

[Calibration method]

1. While depressing the foot switch, switch on the power. The MUTE LED blinks and POWER LED lights at this time.
2. Within 4 seconds after switching on the power, switch the SELECT switch on the REAR PANEL from DI OUT -> LINE OUT -> DI OUT.
3. Confirm the model display shown below.

Model	MUTE LED	POWER LED
D-BASS210	blink	blink
D-BASS115	light	light



If the POWER LED blinks rapidly, the temperature SENSOR is not OK. Confirm the connection of MAIN BOARD, AMP BOARD and PS BOARD.

4. Turn on the MUTE switch. Confirm the version number by MUTE, POWER LED.

Version	MUTE LED	POWER LED
Ver. 1.0	dark	light
Ver. 2.0	dark	blink
Ver. 3.0	blink	dark
Ver. 4.0	blink	light
Ver. 5.0	blink	blink



The procedure after this is different according to the model and version. Advance to the corresponding procedure.

MODEL,VERSION	PROCEDURE
D-BASS210 Ver. 1.0	A
D-BASS210 Ver. 2.0	B
D-BASS115 Ver. 1.0	B
the others	C

[PROCEDURE A]

5. Calibrate with manual operation. Turn off MUTE switch.
6. Display the state of calibration of L channel speaker with MUTE LED and POWER LED. Adjust BASS knob so that the both LEDs may flash. Confirm that the both LEDs keeps flashing for more than five seconds.

MUTE LED	POWER LED	BASS KNOB
flash	dark	turn clockwise
dark	flash	turn counterclockwise
flash	flash	Wait for 5 seconds

- * If a error occurs, the both LEDs don't flash. Confirm the connections of L channel speaker.
 - * If a error occurs several times, replace in the sequence of SENSOR BOARD, WOOFER, and MAIN BOARD.
7. Turn on MUTE switch. Calibrate R channel speaker.(D-BASS210 only) Operate the BASS knob in the same way as procedure 6. after minimize BASS knob once.
- * If a error occurs, the both LEDs don't flash. Confirm the connections of R channel speaker.

8. Turn off MUTE switch. MUTE LED and POWER LED flashes.
9. Turn off the power.

[PROCEDURE B]

5. Turn off MUTE switch. The MUTE LED and POWER LED blink rapidly and calibration automatic determination is performed.



Calibration automatic determination takes approx. 10 seconds. During this time, do not switch off the power.

6. The calibration determination results are displayed. In either case, perform 7. Calibration Automatic Correction.

Decision	MUTE LED	POWER LED
OK	light	light
NG	blink	dark

7. Calibration Automatic Correction
 - 7-1. Press the MODE switch.
 - 7-2. The MUTE LED and POWER LED blink and calibration automatic correction is performed.
 - 7-3. The calibration correction results are displayed.

Decision	MUTE LED	POWER LED	Response
OK	light	light	Completed. Turn off the power.
NG (210:L channel NG)	blink	dark	Confirm the connections of L channel speaker and do from procedure 1 again.

Decision	MUTE LED	POWER LED	Response
R channel NG (only 210)	dark	blink	Confirm the connections of R channel speaker and do from procedure 1 again.
both channel NG (only 210)	blink	blink	Confirm the connections of the both channel speaker and do from procedure 1 again.

* If failure occurs several times, replace in the sequence of *SENSOR BOARD*, *WOOFER*, and *MAIN BOARD*.

[PROCEDURE C]

- Turn off MUTE switch.
The MUTE LED and POWER LED blink and calibration automatic correction is performed.



Calibration automatic correction takes approx. 40 seconds. During this time, do not switch off the power.

- The calibration correction results are displayed.

Decision	MUTE LED	POWER LED	Response
OK	light	light	Completed. Turn off the power.
NG (210:L channel NG)	blink	dark	Confirm the connections of L channel speaker and do from procedure 1 again.
R channel NG (only 210)	dark	blink	Confirm the connections of R channel speaker and do from procedure 1 again.
both channel NG (only 210)	blink	blink	Confirm the connections of the both channel speaker and do from procedure 1 again.

* If failure occurs several times, replace in the sequence of *SENSOR BOARD*, *WOOFER*, and *MAIN BOARD*.

CHECKING THE VERSION NUMBER(115X)

[SETTING OF PANEL]

Name of SW and JACK	state
TWEETER LEVEL	Minimum(-)
MODE SELECT	FULL RANGE
FREQUENCY	Minimum(60)
VOLUME	Minimum(0)
POWER	OFF



Version display mode cannot be entered unless the connections and panel settings are made correctly.

[Confirmation method]

1. Within 4 seconds after switching on the power, switch the MODE SELECT switch from ON (SUBWOOFER) -> OFF (FULL RANGE) -> ON -> OFF -> ON -> OFF.
(Repeat ON/OFF switching 3 times.)



If the FULL RANGE LED or SUBWOOFER LED blinks rapidly, the temperature SENSOR is not OK.
Confirm the connection of MAIN BOARD, AMP BOARD and PS BOARD.

2. After that, model determination display is performed automatically.
Confirm the model display shown below.

Model	FULL RANGE LED	SUBWOOFERLED
D-BASS115X	blink	light

3. Turn on MODE SELECT switch(SUBWOOFER).
4. Use the FULL RANGE and SUBWOOFER LED to confirm the version number display.

Version	FULL RANGE LED	SUBWOOFERLED
Ver. 1.0	light	dark
Ver. 2.0	blink	dark
Ver. 3.0	dark	light
Ver. 4.0	light	light
Ver. 5.0	blink	light

5. Turn off the power.

TEST MODE (115X)

1.Entering Test Mode

1. Set the unit as follows.

[SETTING OF PANEL]

Name of SW and JACK	state
TWEETER LEVEL	Minimum(-)
MODE SELECT	FULL RANGE
FREQUENCY	Minimum(60)
VOLUME	Minimum(0)
POWER	OFF



Test mode cannot be entered unless the connections and panel settings are made correctly.

2. Within 4 seconds after switching on the power, switch the MODE SELECT switch from ON (SUBWOOFER) -> OFF (FULL RANGE) -> ON -> OFF -> ON -> OFF.

(Repeat ON/OFF switching 3 times.)

3. FULL RANGE LED blinks and SUBWOOFER LED flashes.



If the FULL RANGE LED or SUBWOOFER LED blinks rapidly, the temperature SENSOR is not OK.

Confirm the connection of MAIN BOARD, AMP BOARD and PS BOARD.
Test mode cannot be entered unless the connections and panel settings are made correctly.

2. Exiting Test Mode

Turn off the power to exit Test Mode.

3. Skipping

Test categories cannot be skipped.

4. Test Items

1. Model display
2. Version display
3. CPU /DSP /EEPROM /SENSOR test
4. Volume test

5. Test Category Details

1. Model display

After entering Test Mode, display the model. Use the FULL RANGE and SUBWOOFERLED to confirm the model display.

Model	FULL RANGE LED	SUBWOOFERLED
D-BASS115X	blink	blink

2.Version display

1. Turn on MODE SELECT(SUBWOOFER).
2. Confirm the version number by FULL RANGE, SUBWOOFER LED.

Version	FULL RANGE LED	SUBWOOFERLED
Ver. 1.0	light	dark
Ver. 2.0	blink	dark
Ver. 3.0	dark	blink
Ver. 4.0	light	blink
Ver. 5.0	blink	blink

3.CPU/DSP/EEPROM/SENSOR test

1. Turn off MODE SELECT switch(FULL RANGE).
2. The CPU /DSP /SENSOR test begins automatically.
3. After about 2 second test result is appeared.

If the test passes

The LEDs appear as follows.

state	FULL RANGE LED	SUBWOOFERLED
Test OK	light	blink

If the test fails

The LEDs appear as follows.

state	FULL RANGE LED	SUBWOOFER LED
CPU,DSP,EEPROM error	dark	blink
SPEAKER SENSOR error	blink	dark
Temperature SENSOR(AMP,PS) error	blink	blink

state	FULL RANGE LED	SUBWOOFER LED
ALL SENSOR error	blink rapidly	blink

If the test fails, advancing to the next item is impossible.

4. Volume TEST

1. Turn on MODE SELECT(set to SUBWOOFER).
2. Operate the switches in the sequence described below.
Operate the volume knobs in the sequence described below (MIN -> CENTER -> MAX).

Confirm that the LED display and the volume level of the speaker change according to the operated position of the test volume.

[LED DISPLAY]

KNOB POSITION	FULL RANGE LED	SUBWOOFER LED
MIN	dark	dark
Half left	light	dark
CENTER	light	light
Half right	light	light
MAX	dark	dark

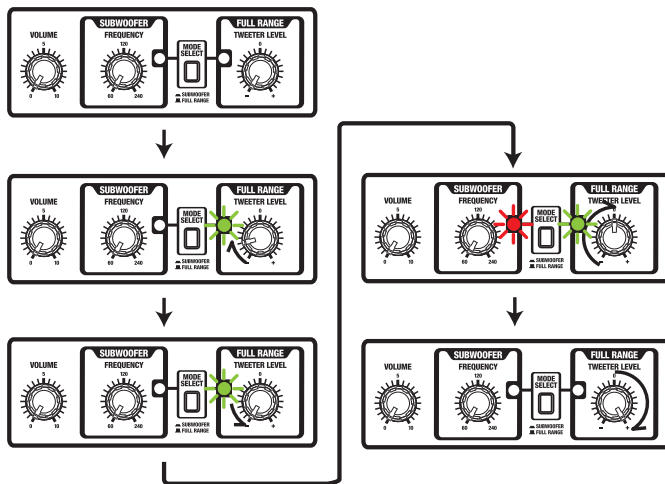
NOTE

Never leave the unit with sound coming from the speaker. The output circuit may be damaged.

3. TWEETER LEVEL KNOB(confirm the center click)
4. FREQUENCY KNOB
5. VOLUME KNOB

NOTE

Test after first raising the level of all volume knobs slight then again lowering them to minimum, as described below.



NOTE

If volume detection fails, advancing to the next volume knob is impossible.

6. When testing of all volume knobs ends, the FULL RANGE LED flashes and SUBWOOFER LED goes dark and sound stops.

This completes the inspection procedure. Switch off the power.

SPEAKER CALIBRATION(115X)

NOTE

When replacing the circuit board or woofer, be sure to perform speaker calibration.

[SETTING OF PANEL]

SW, VOL name	state
TWEETER LEVEL	Minimum(-)
MODE SELECT	FULL RANGE
FREQUENCY	Maximum(240)
VOLUME	Minimum(0)
POWER	OFF

NOTE

Speaker calibration cannot be entered unless the connections and panel settings are made correctly.

[Calibration method]

1. Within 4 seconds after switching on the power, switch the MODE SELECT switch from ON (SUBWOOFER) -> OFF (FULL RANGE) -> ON -> OFF -> ON -> OFF.

(Repeat ON/OFF switching 3 times.)

Confirm the connection of SENSOR BOARD, AMP BOARD and PS BOARD.

NOTE

If the FULL RANGE LED or SUBWOOFER LED blinks rapidly, the temperature SENSOR is not OK.

Confirm the connection of MAIN BOARD, AMP BOARD and PS BOARD.

2. After that, model determination display is performed automatically. Confirm the model display shown below.
3. After that, model determination display is performed automatically. Confirm the model display shown below.

Model	FULL RANGE LED	SUBWOOFER LED
D-BASS115X	blink	light

4. Turn on MODE SELECT switch (SUBWOOFER).
Confirm the version number by FULL RANGE, SUBWOOFER LED.

Version	FULL RANGE LED	SUBWOOFER LED
Ver. 1.0	light	dark
Ver. 2.0	blink	dark
Ver. 3.0	dark	blink
Ver. 4.0	light	blink
Ver. 5.0	blink	blink

NOTE

The procedure after this is different according to the model and version. Advance to the corresponding procedure.

VERSION	PROCEDURE
Ver. 1.0	A
the others	C

[PROCEDURE A]

5. Turn off MODE SELECT switch (Set to FULL RANGE).
The FULL RANGE LED and SUBWOOFER LED blink rapidly and calibration automatic determination is performed.

NOTE

Calibration automatic determination takes approx. 10 seconds. During this time, do not switch off the power.

- 6. The calibration determination results are displayed.
In either case, perform 7. Calibration Automatic Correction.

Decision	FULL RANGE LED	SUBWOOFER LED
OK	light	light
NG	blink	dark

- 7. Calibration Automatic Correction
- 7-1. Turn on MODE SELECT switch (Set to SUBWOOFER).
- 7-2. FULL RANGE LED and SUBWOOFER LED blink and calibration automatic correction is performed.
- 7-3. The calibration correction results are displayed.

Decision	FULL RANGE LED	SUBWOOFER LED	Response
OK	light	light	Completed. Turn off the power.
NG	blink	dark	Confirm the connections of speaker and do from procedure 1 again.

* If failure occurs several times, replace in the sequence of SENSOR BOARD, WOOFER, and MAIN BOARD.

[PROCEDURE B]

- 5. Turn off MODE SELECT switch (Set to FULL RANGE).
FULL RANGE LED and SUBWOOFER LED blink and calibration automatic correction is performed.

NOTE

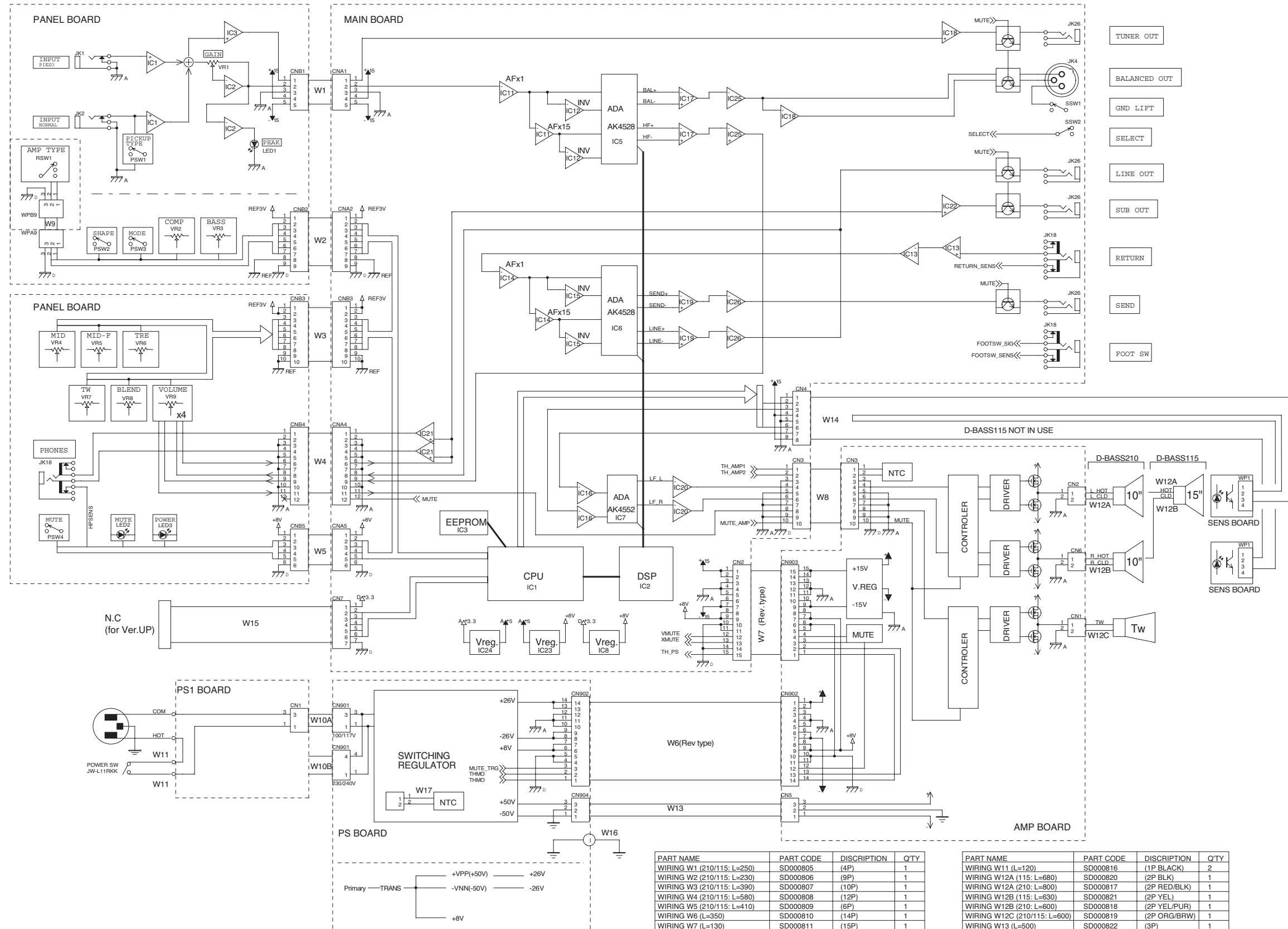
Calibration automatic correction takes approx. 40 seconds. During this time, do not switch off the power.

- 6. The calibration correction results are displayed.

Decision	FULL RANGE LED	SUBWOOFER LED	Response
OK	light	light	Completed. Turn off the power.
NG	blink	dark	Confirm the connections of speaker and do from procedure 1 again.

* If failure occurs several times, replace in the sequence of SENSOR BOARD, WOOFER, and MAIN BOARD.

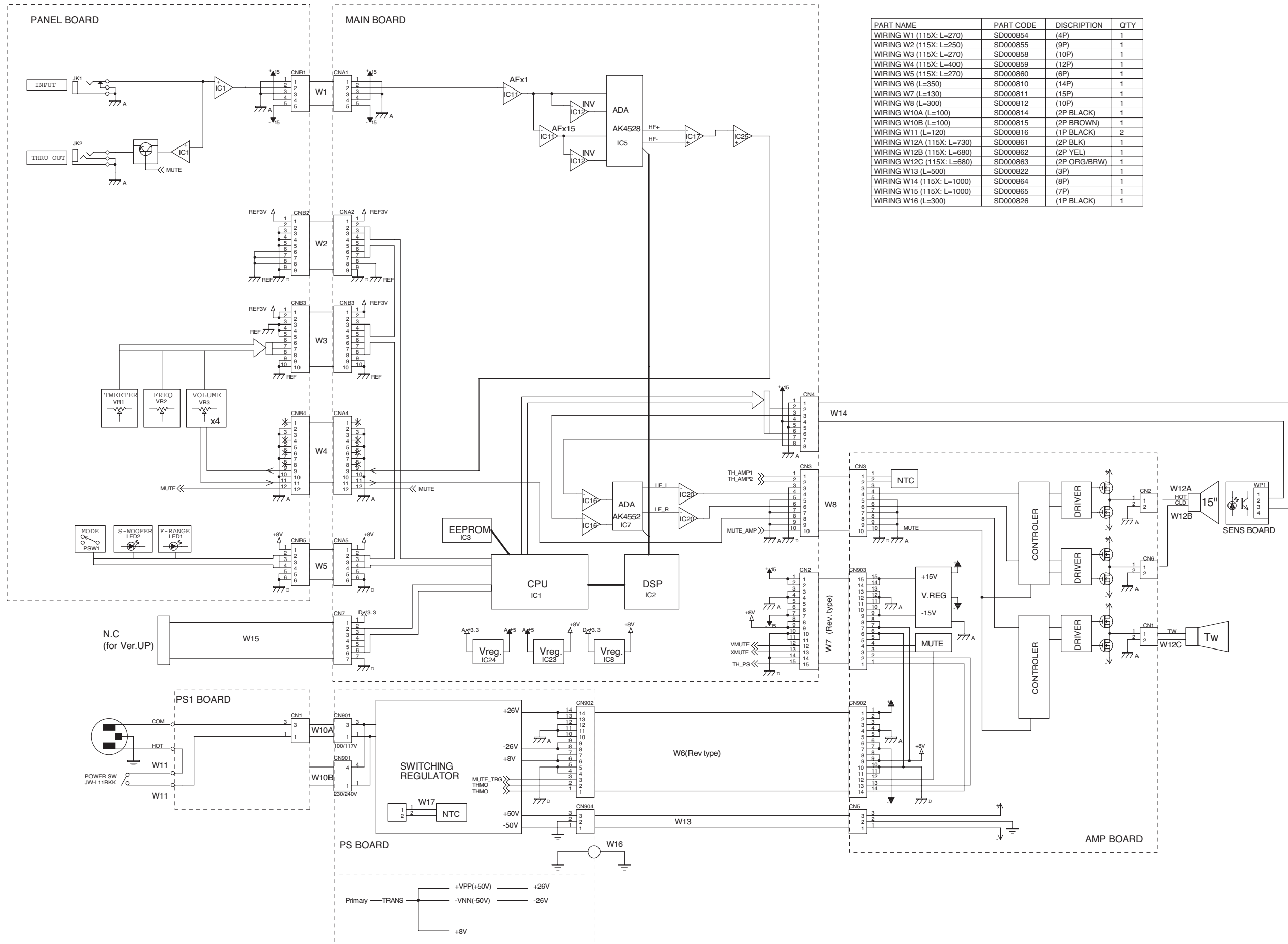
BLOCK, WIRING DIAGRAM(210/115)



PART NAME	PART CODE	DISCRIPTION	QTY
WIRING W1 (210/115: L=250)	SD000805	(4P)	1
WIRING W2 (210/115: L=230)	SD000806	(9P)	1
WIRING W3 (210/115: L=390)	SD000807	(10P)	1
WIRING W4 (210/115: L=580)	SD000808	(12P)	1
WIRING W5 (210/115: L=410)	SD000809	(6P)	1
WIRING W6 (L=350)	SD000810	(14P)	1
WIRING W7 (L=130)	SD000811	(15P)	1
WIRING W8 (L=300)	SD000812	(10P)	1
WIRING W9 (210/115: L=50)	SD000813	(3P)	1
WIRING W10A (L=100)	SD000814	(2P BLACK)	1
WIRING W10B (L=100)	SD000815	(2P BROWN)	1

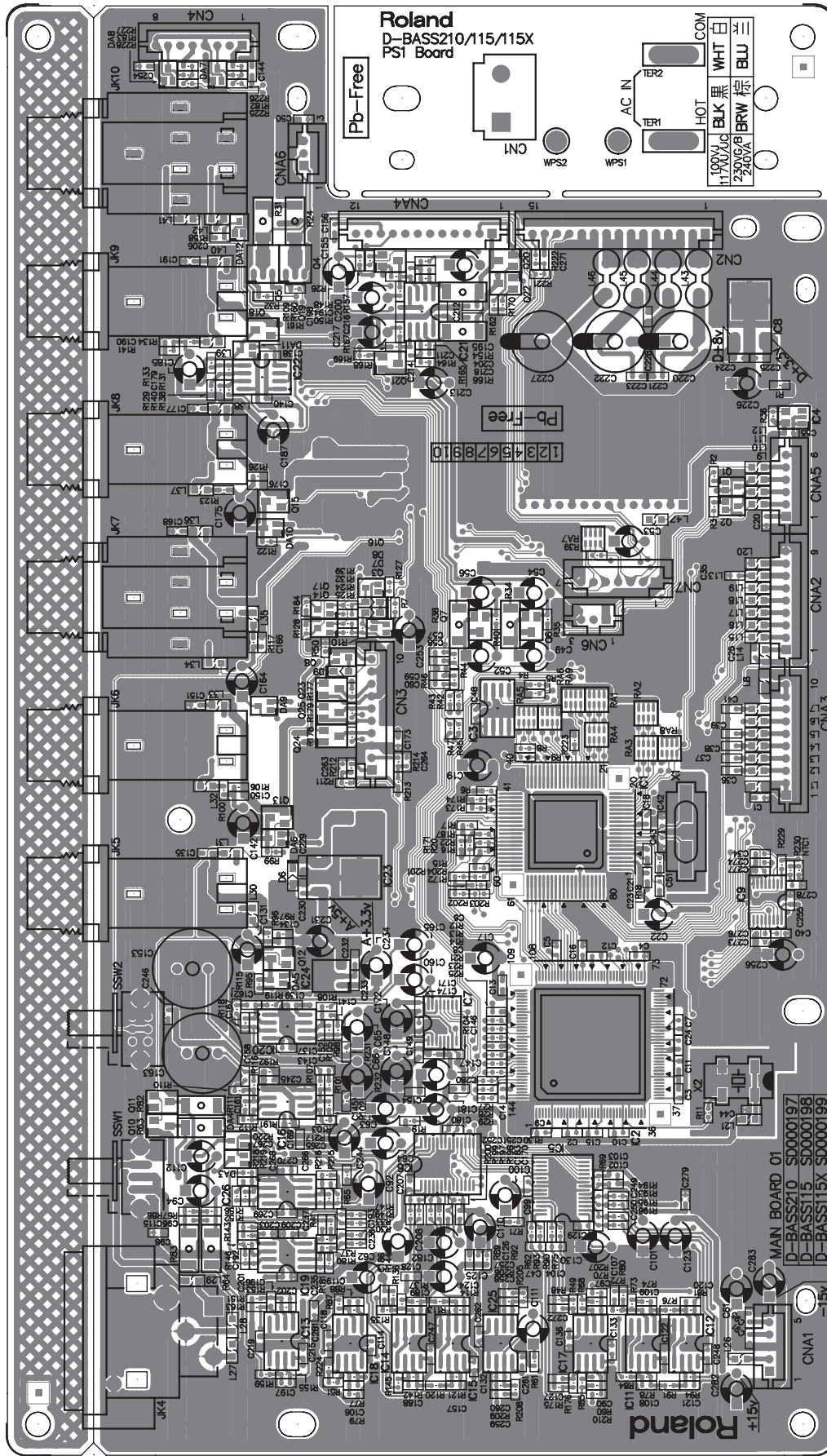
PART NAME	PART CODE	DISCRIPTION	QTY
WIRING W11 (L=120)	SD000816	(1P BLACK)	2
WIRING W12A (115: L=680)	SD000820	(2P BLK)	1
WIRING W12A (210: L=800)	SD000817	(2P RED/BLK)	1
WIRING W12B (115: L=630)	SD000821	(2P YEL)	1
WIRING W12B (210: L=600)	SD000818	(2P YEL/PUR)	1
WIRING W12C (210/115: L=600)	SD000819	(2P ORG/BRW)	1
WIRING W13 (L=500)	SD000822	(3P)	1
WIRING W14 (115: L=920)	SD000824	(8P)	1
WIRING W14 (210: L=1100/920)	SD000823	(8P)	1
WIRING W15 (210/115: L=900)	SD000825	(7P)	1
WIRING W16 (L=300)	SD000826	(1P BLACK)	1

BLOCK, WIRING DIAGRAM(115X)



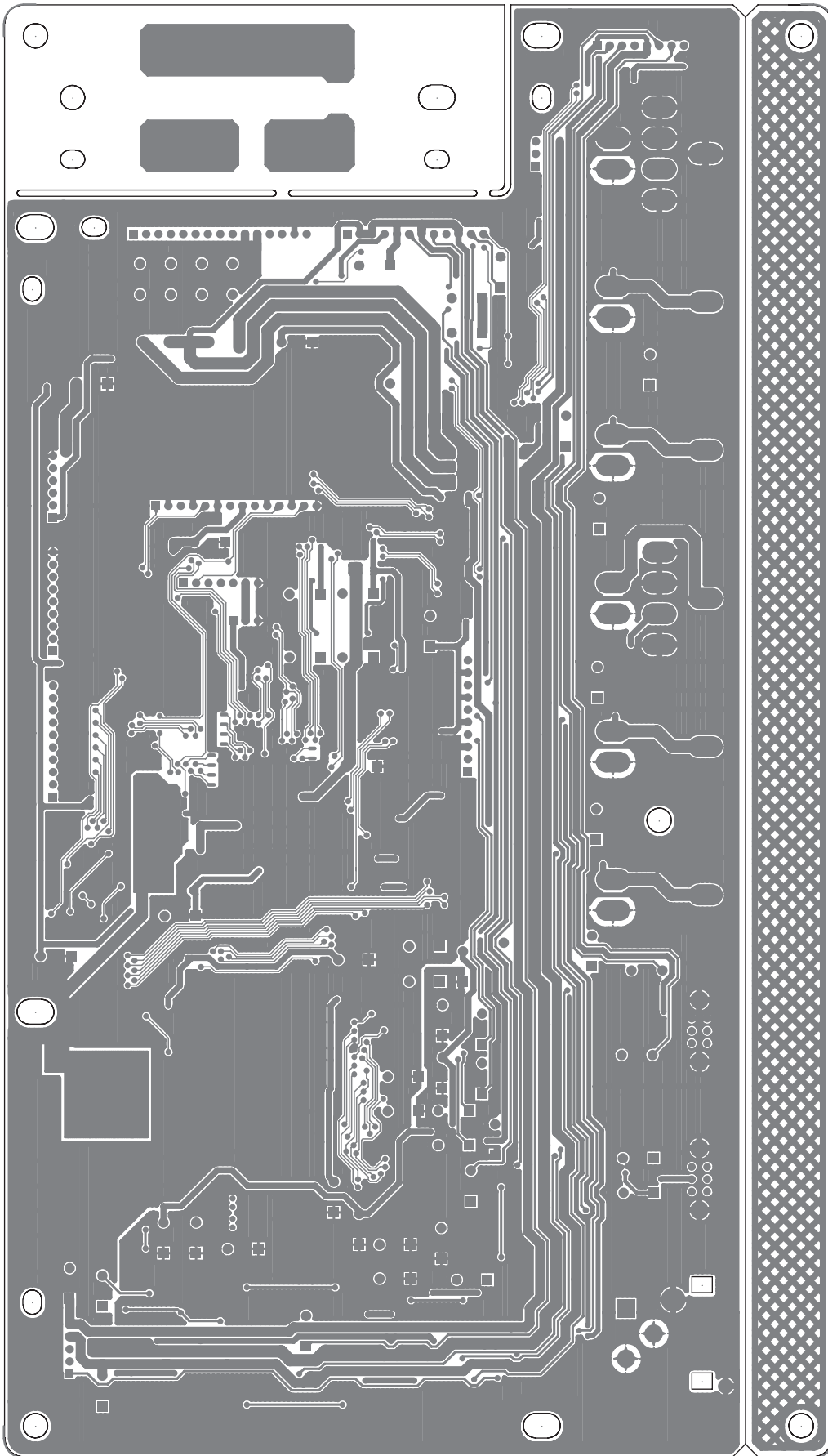
CIRCUIT BOARD(210/115/115X MAIN BOARD)

COMPONENT SIDE VIEW

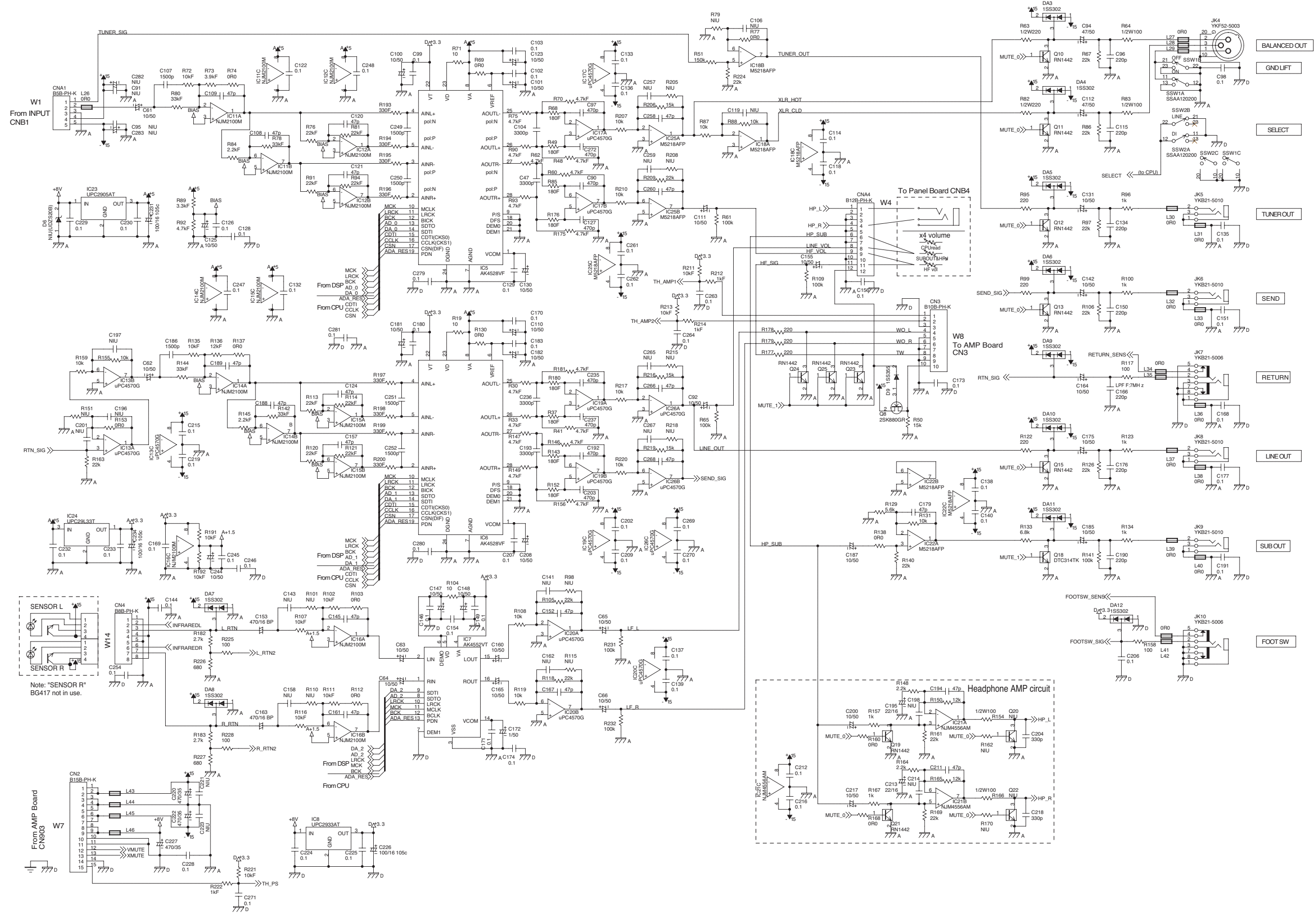


CIRCUIT BOARD(210/115/115X MAIN BOARD)

SOLDER SIDE VIEW



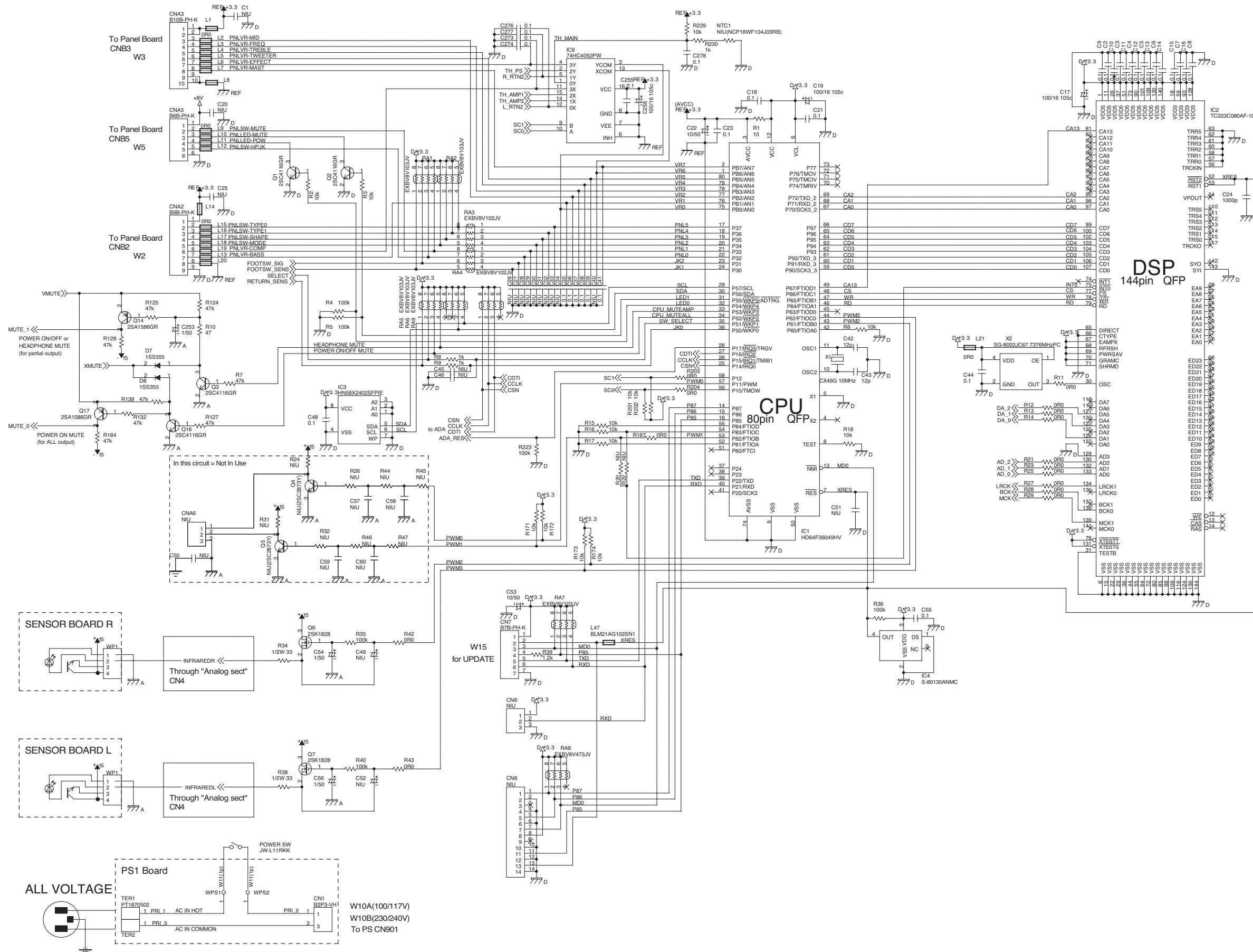
CIRCUIT DIAGRAM(MAIN 210/115 1/2)



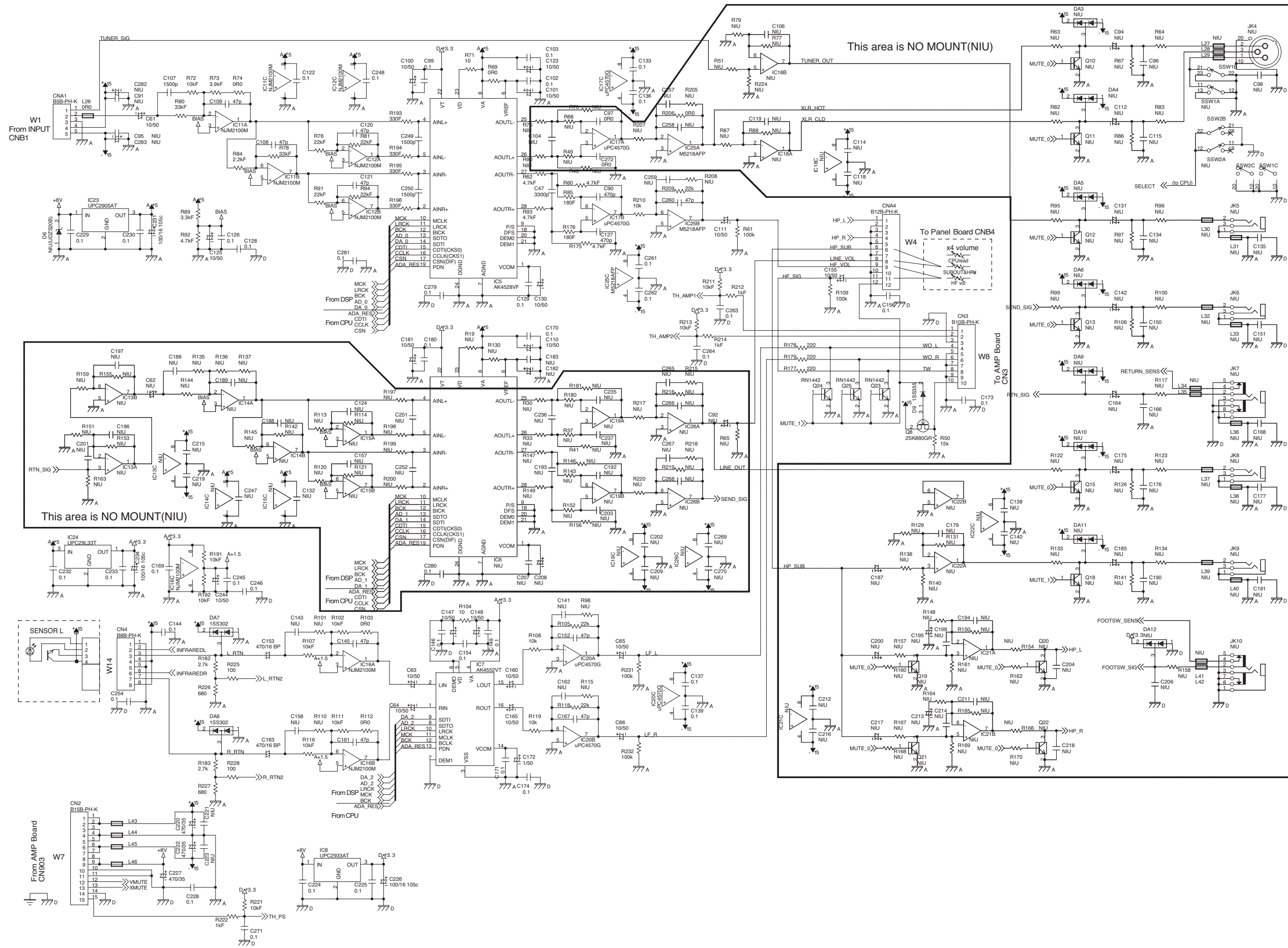
Note: "SENSOR R" BG417 not in use.

Headphone AMP circuit

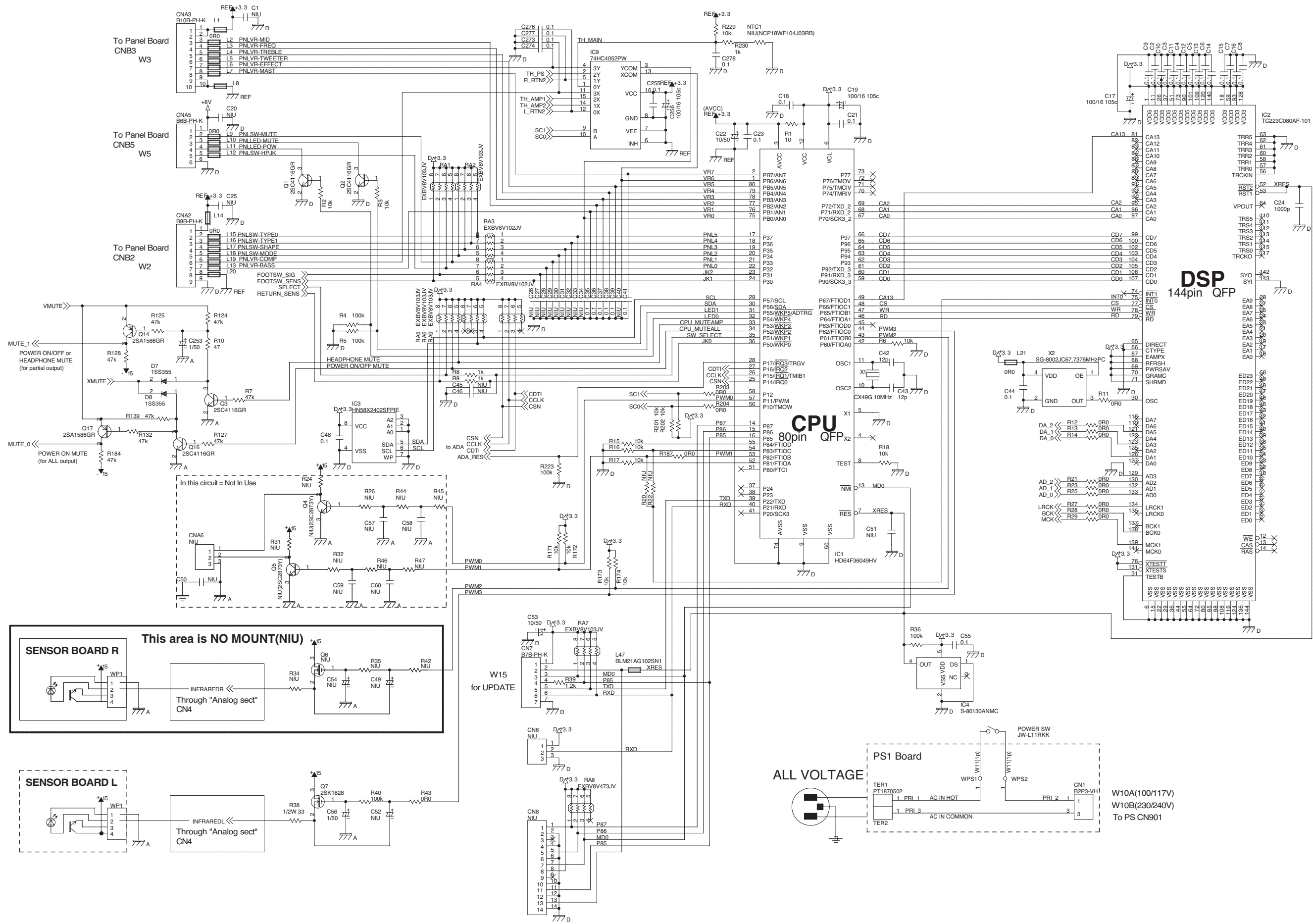
CIRCUIT DIAGRAM(MAIN 210/115 2/2)



CIRCUIT DIAGRAM(MAIN 115X 1/2)



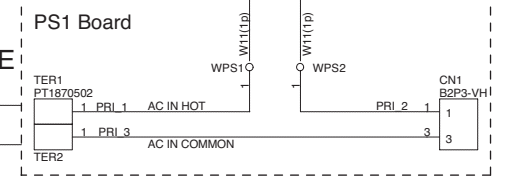
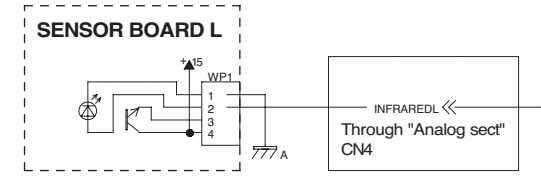
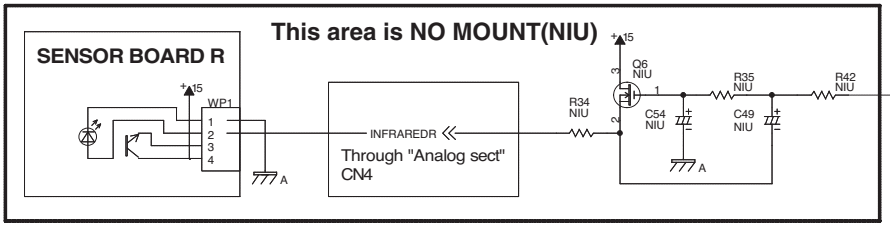
CIRCUIT DIAGRAM(MAIN 115X 2/2)



DSP
144pin QFP

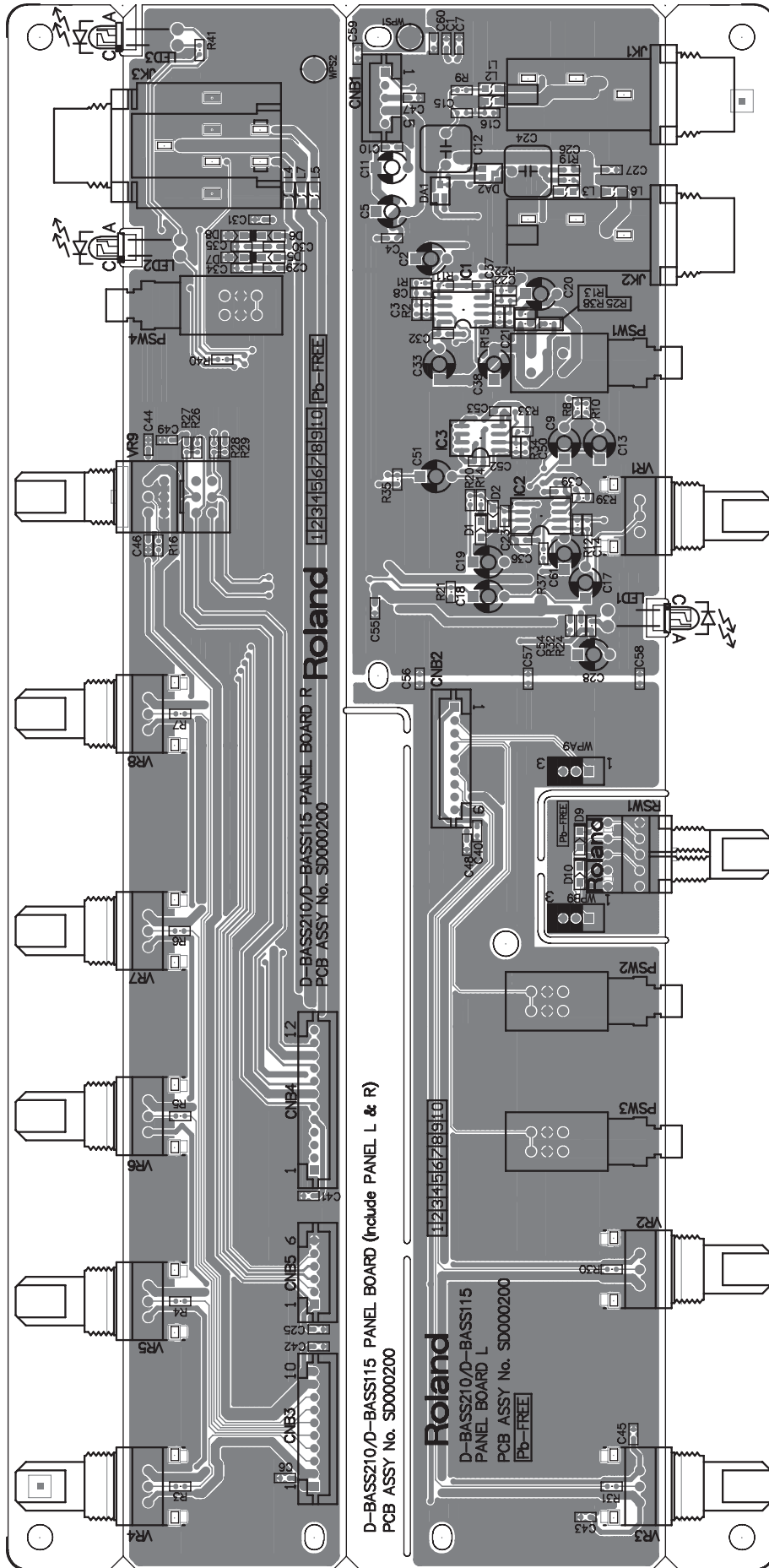
CPU
80pin QFP

This area is NO MOUNT(NIU)



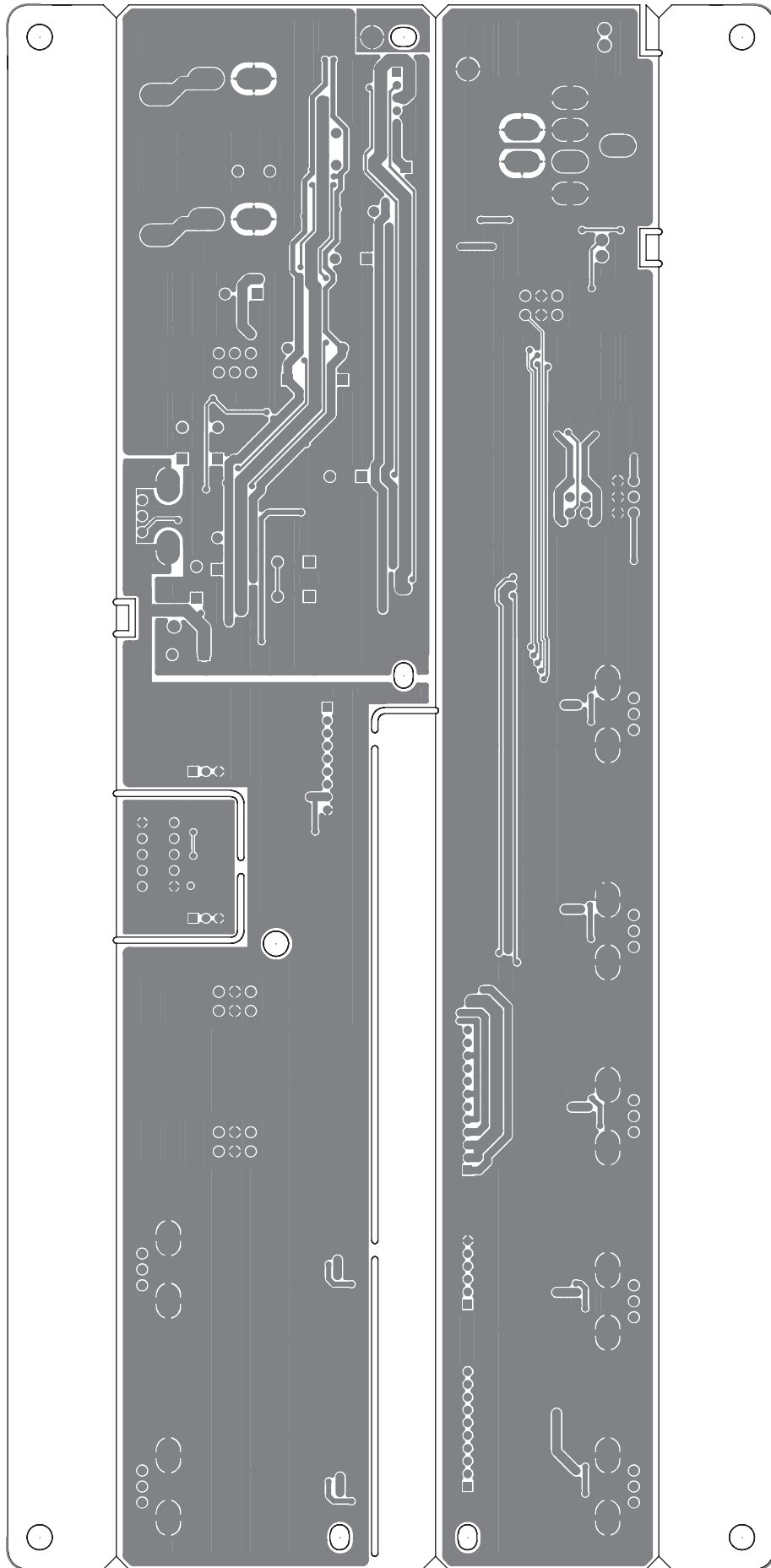
CIRCUIT BOARD(210/115 PANEL BOARD)

COMPONENT SIDE VIEW

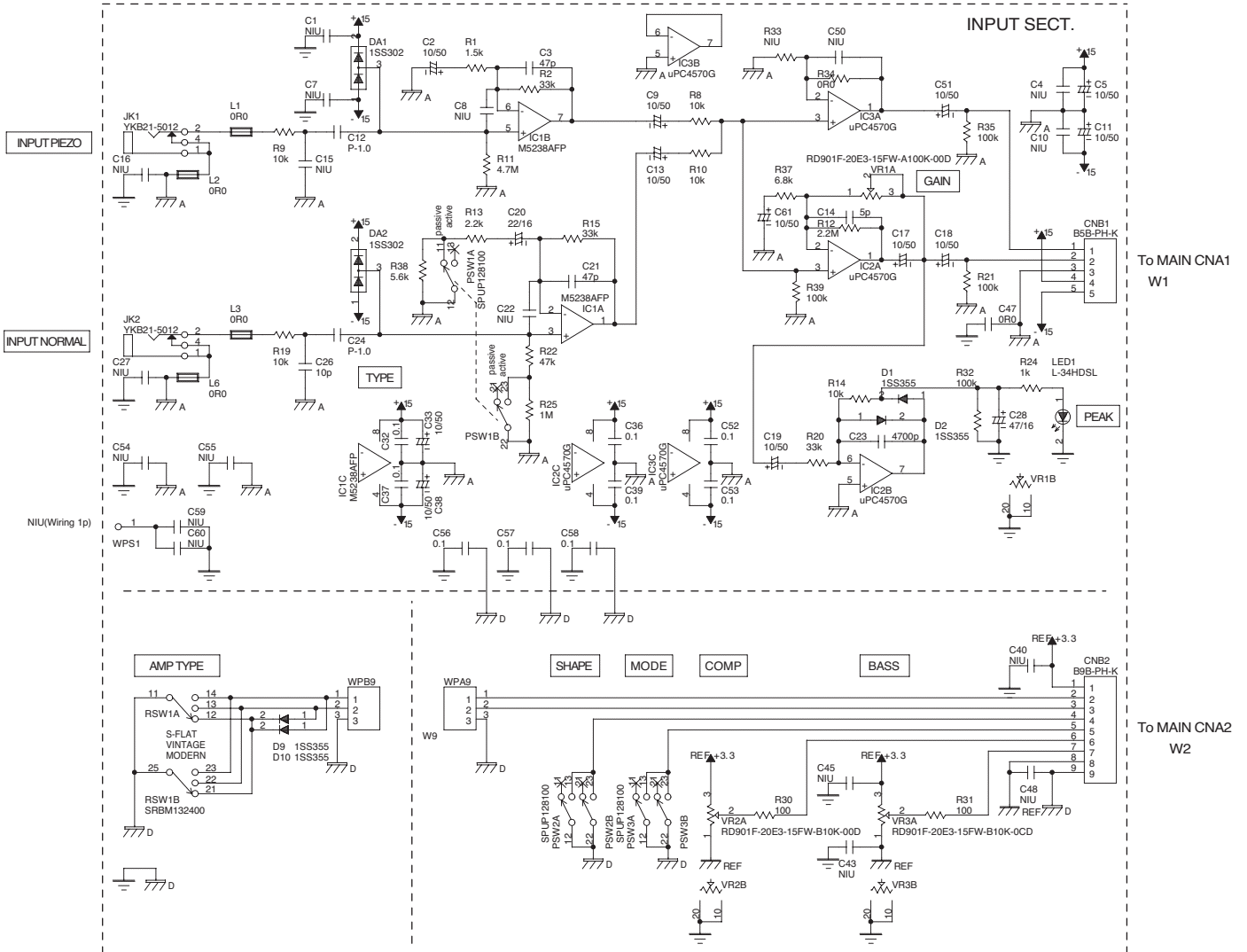


CIRCUIT BOARD(210/115 PANEL BOARD)

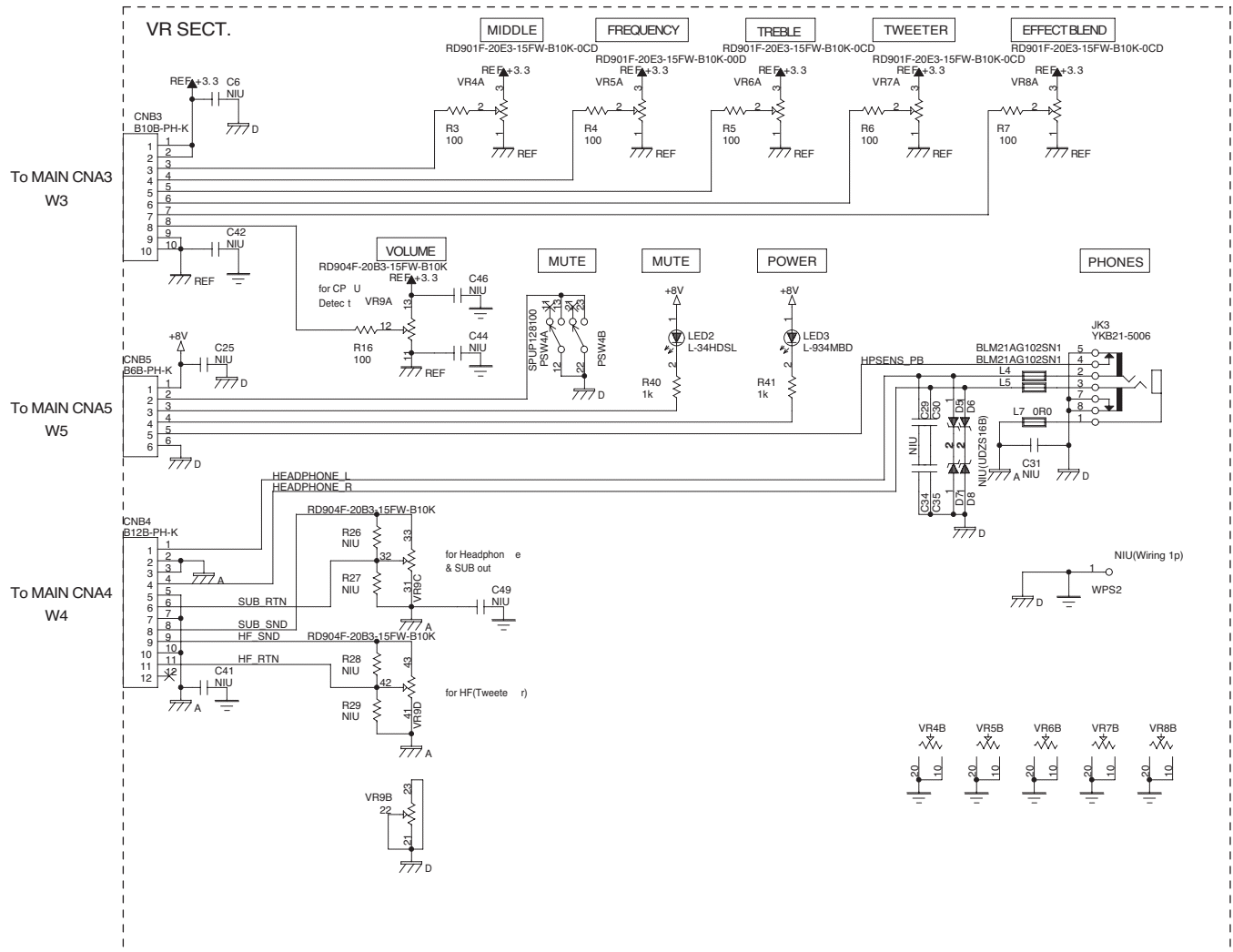
SOLDER SIDE VIEW



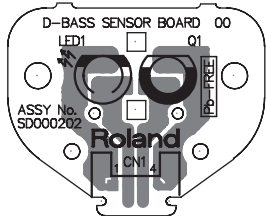
CIRCIUT DIAGRAM(PANEL 210/115 1/2)



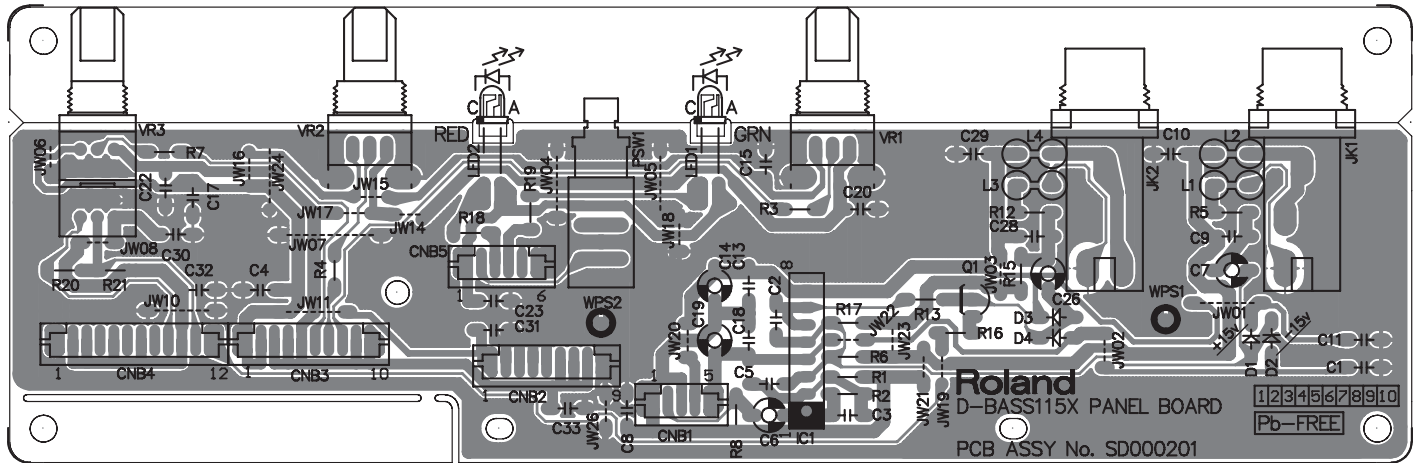
CIRCUIT DIAGRAM(PANEL 210/115 2/2)



CIRCIUT BOARD(210/115/115X SENSOR BOARD)



CIRCIUT BOARD(115X PANEL BOARD)



CIRCUIT DIAGRAM(115X PANEL BOARD)

