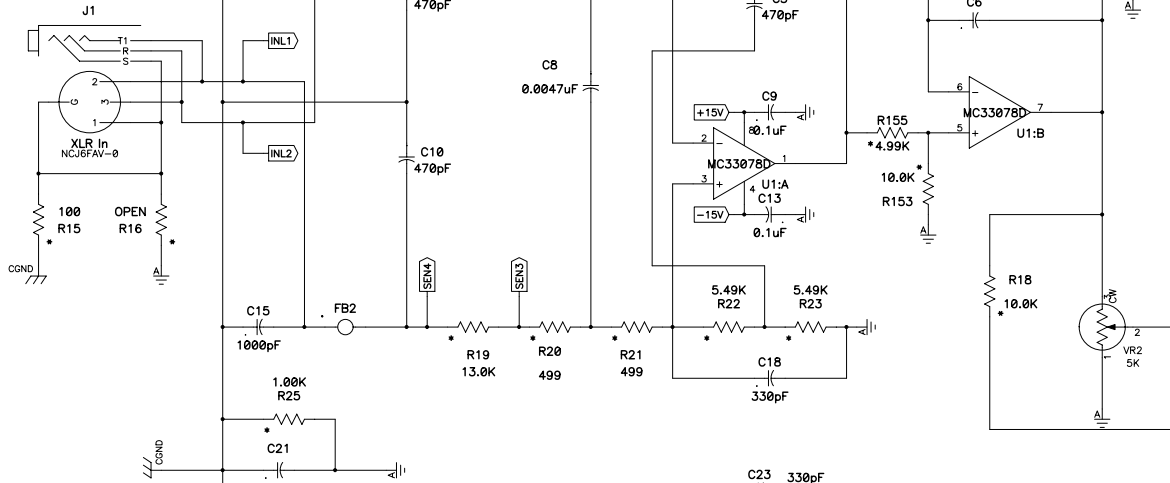
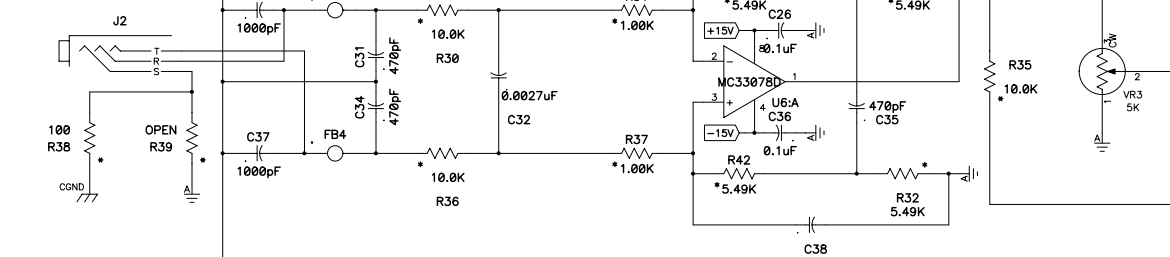


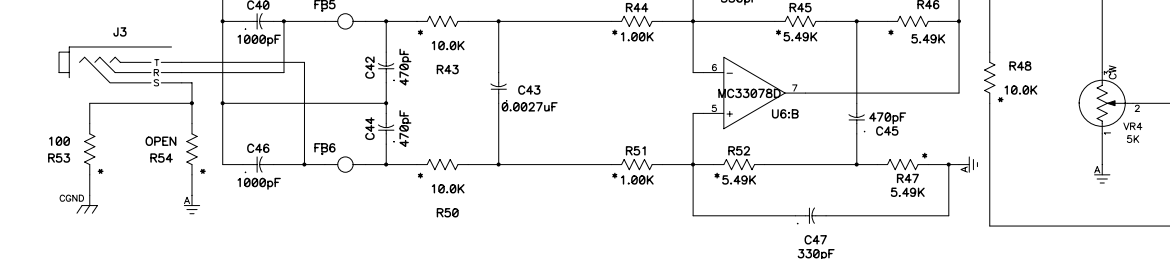
Main Balanced Input



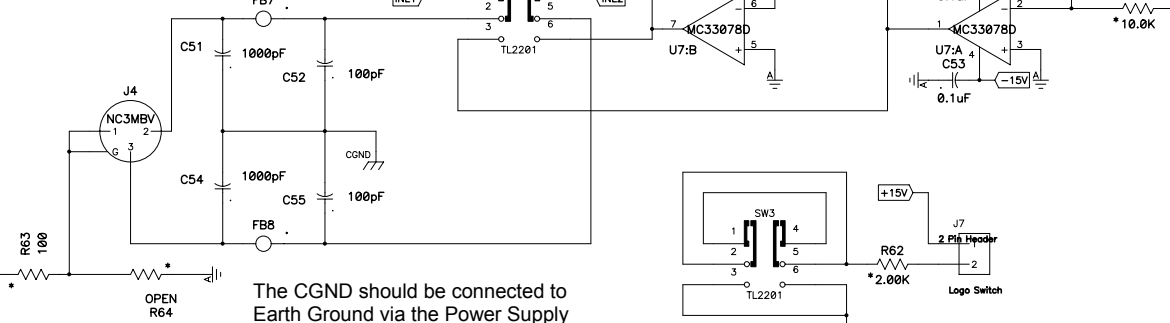
Aux 2 Balanced Input



Aux 1 Balanced Input

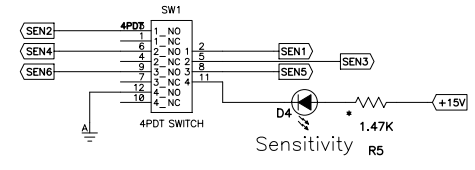


Through Balanced Output

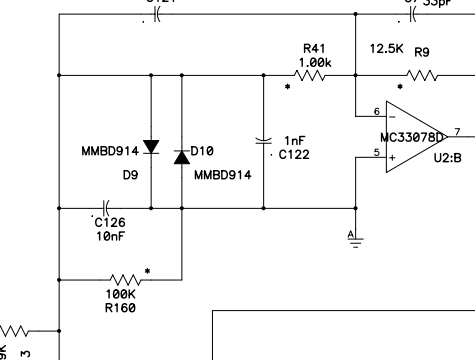


The CGND should be connected to Earth Ground via the Power Supply

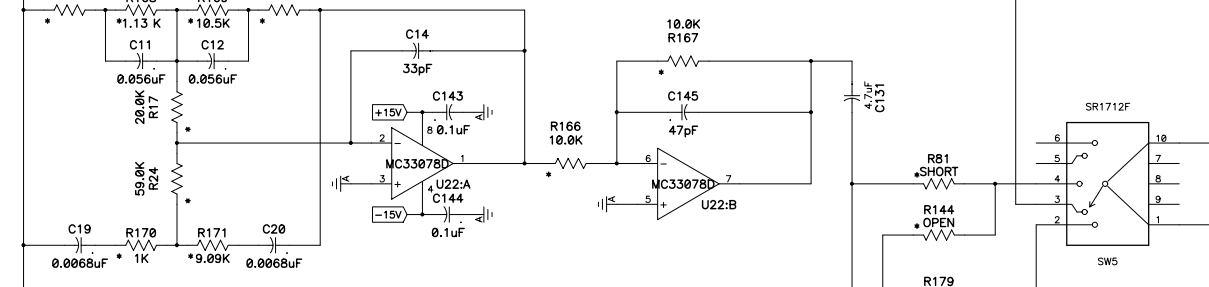
Sensitivity Switch



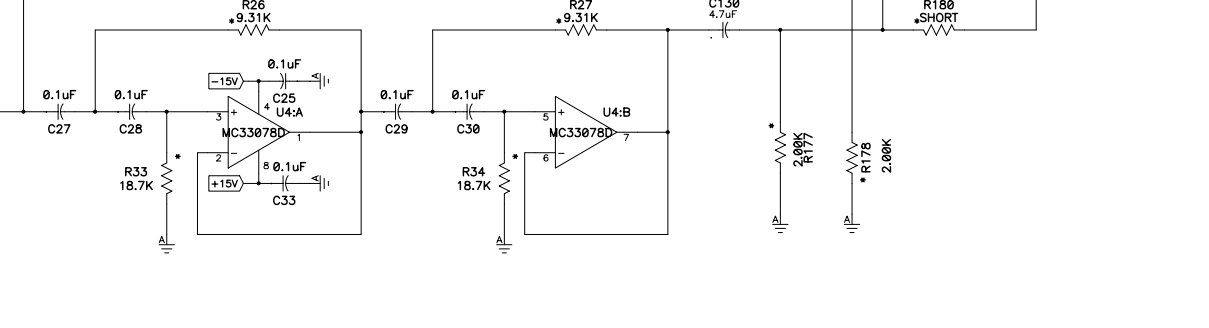
Sensitivity



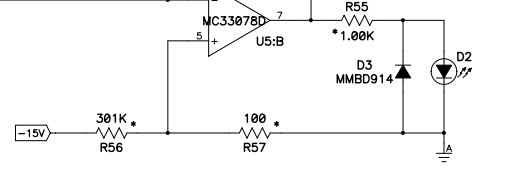
Tone Control



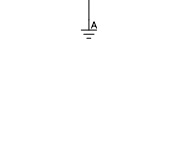
High Pass



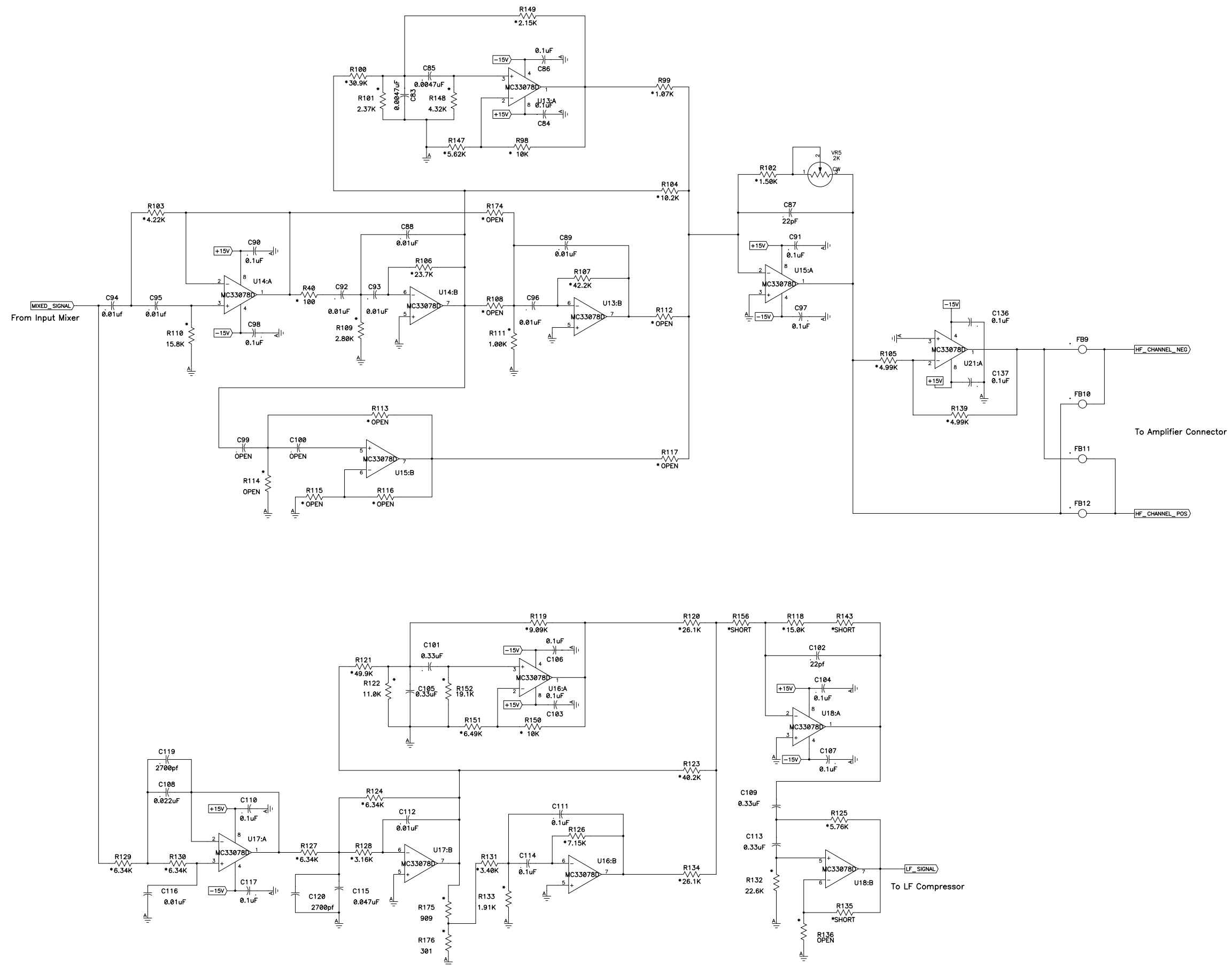
Signal Present



Power



JBL Professional			
EON 515 Analog			
Size	Page	I/O_MIXER	
D		Rev	C
Date	June 3, 2008	Engineer	CMouzakis/SPL
Filename	EON 515 Analog Rev C[1].sch	Sheet	1 of 3



JBL Professional		
Title EON 515 Analog		
Size D	Page DRIVERS_EQ	Rev C
Date June 3, 2008	Engineer CMouzakis/SPL	
Filename EON 515 Analog Rev C[1].sch	Sheet 3	of 3