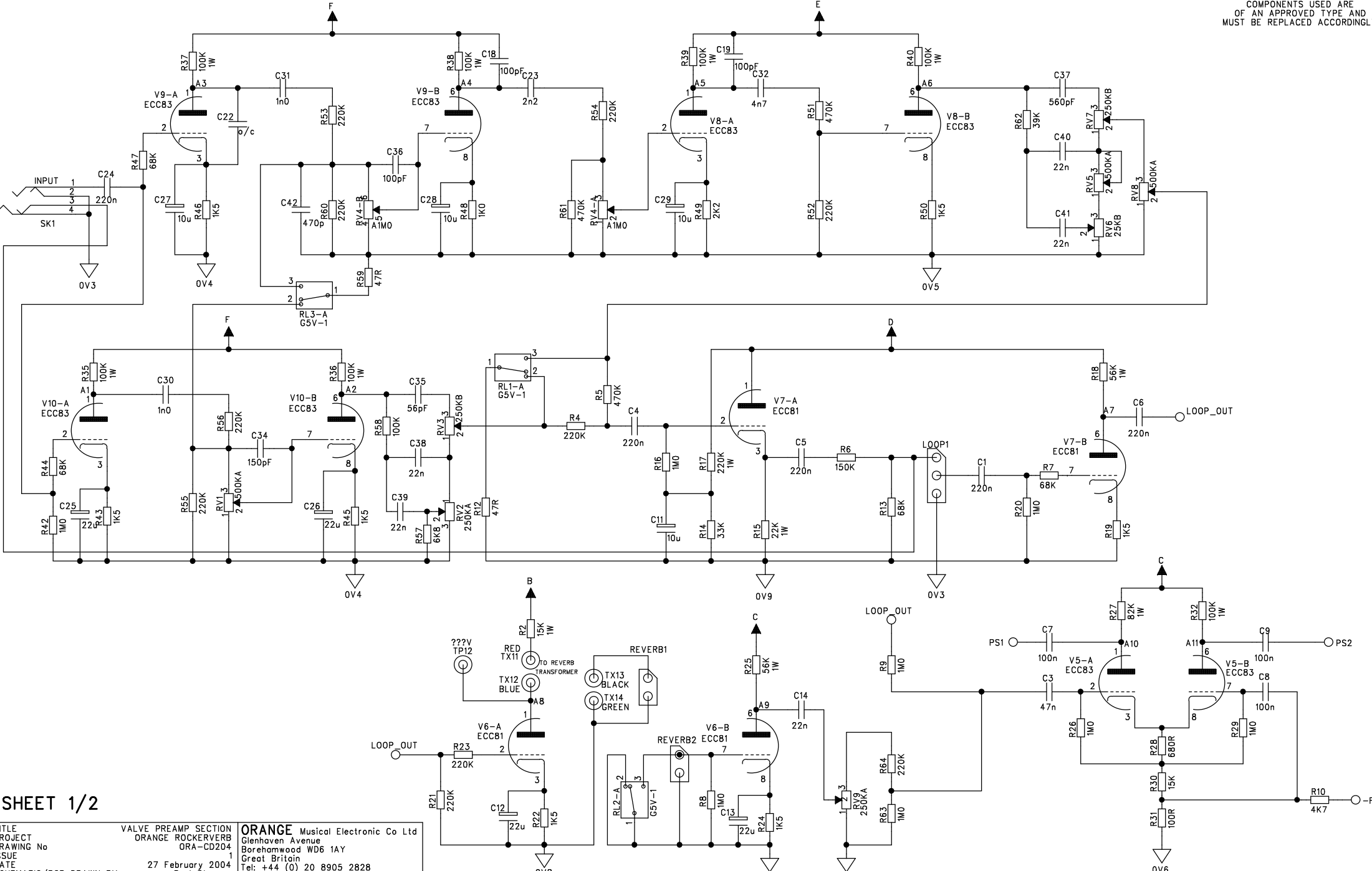


# ORANGE ROCKERVERB - MAIN PREAMP PCB

## PREAMP 1 & 2, LOOP, REVERB & PHASE SPLITTER



COMPONENTS USED ARE OF AN APPROVED TYPE AND MUST BE REPLACED ACCORDINGLY



SHEET 1/2

TITLE	VALVE PREAMP SECTION	<b>ORANGE</b> Musical Electronic Co Ltd Glenhaven Avenue Borehamwood WD6 1AY Great Britain Tel: +44 (0) 20 8905 2828 Fax: +44 (0) 20 8905 2868 info@orangeamps.com
PROJECT	ORANGE ROCKERVERB	
DRAWING No	ORA-CD204	
ISSUE	1	
DATE	27 February 2004	
SCHEMATIC/PCB DRAWN BY	Paul Stevens	
ORIGINAL CIRCUIT DESIGN BY	Adrian Emsley	