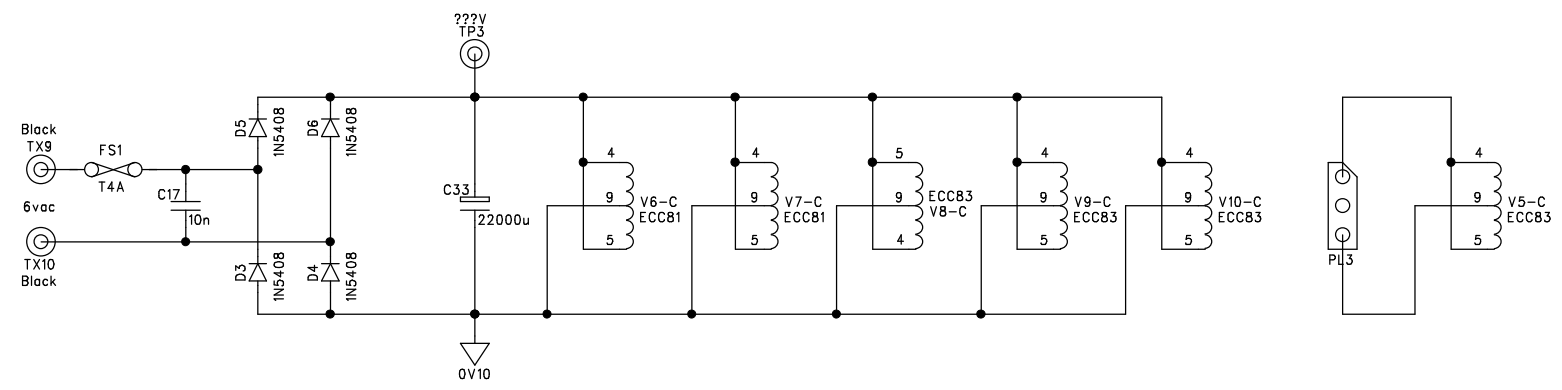
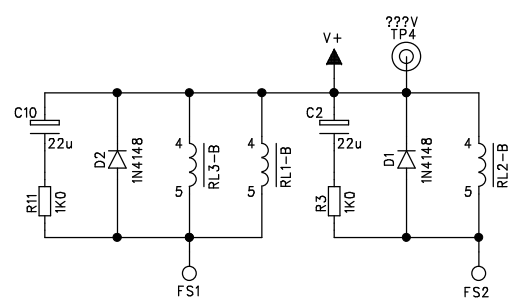
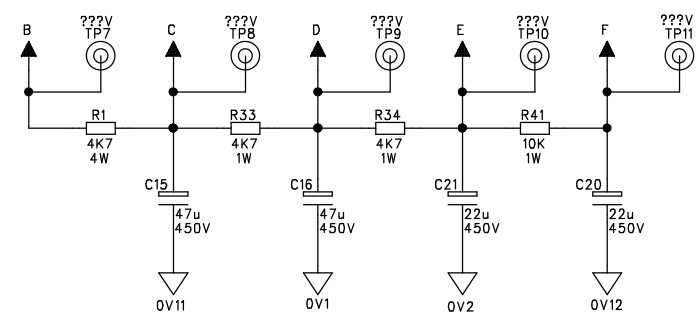
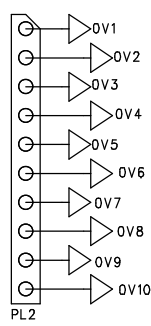
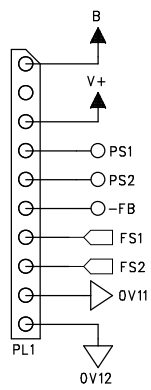




COMPONENTS USED ARE OF AN APPROVED TYPE AND MUST BE REPLACED ACCORDINGLY



SHEET 2/2

TITLE	SUPPLIES, HEATERS, RELAYS	<b>ORANGE</b> Musical Electronic Co Ltd
PROJECT	ORANGE ROCKERVERB	Glenhaven Avenue
DRAWING No	ORA-CD204	Borehamwood WD6 1AY
ISSUE	1	Great Britain
DATE	27 February 2004	Tel: +44 (0) 20 8905 2828
SCHEMATIC/PCB DRAWN BY	Paul Stevens	Fax: +44 (0) 20 8905 2868
ORIGINAL CIRCUIT DESIGN BY	Adrian Emsley	info@orangeamps.com