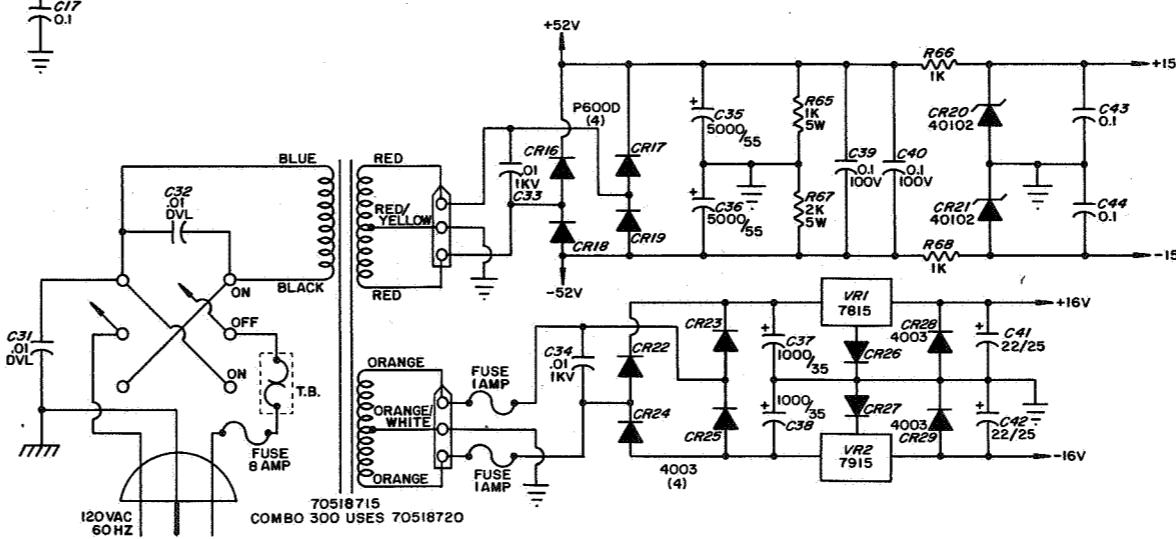
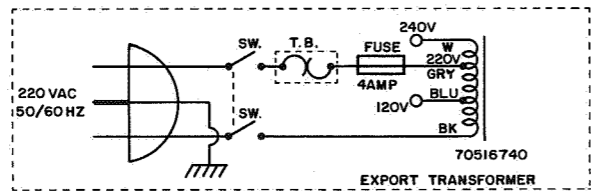
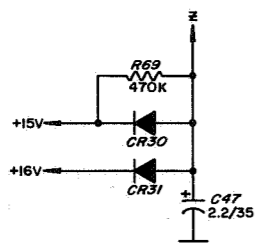
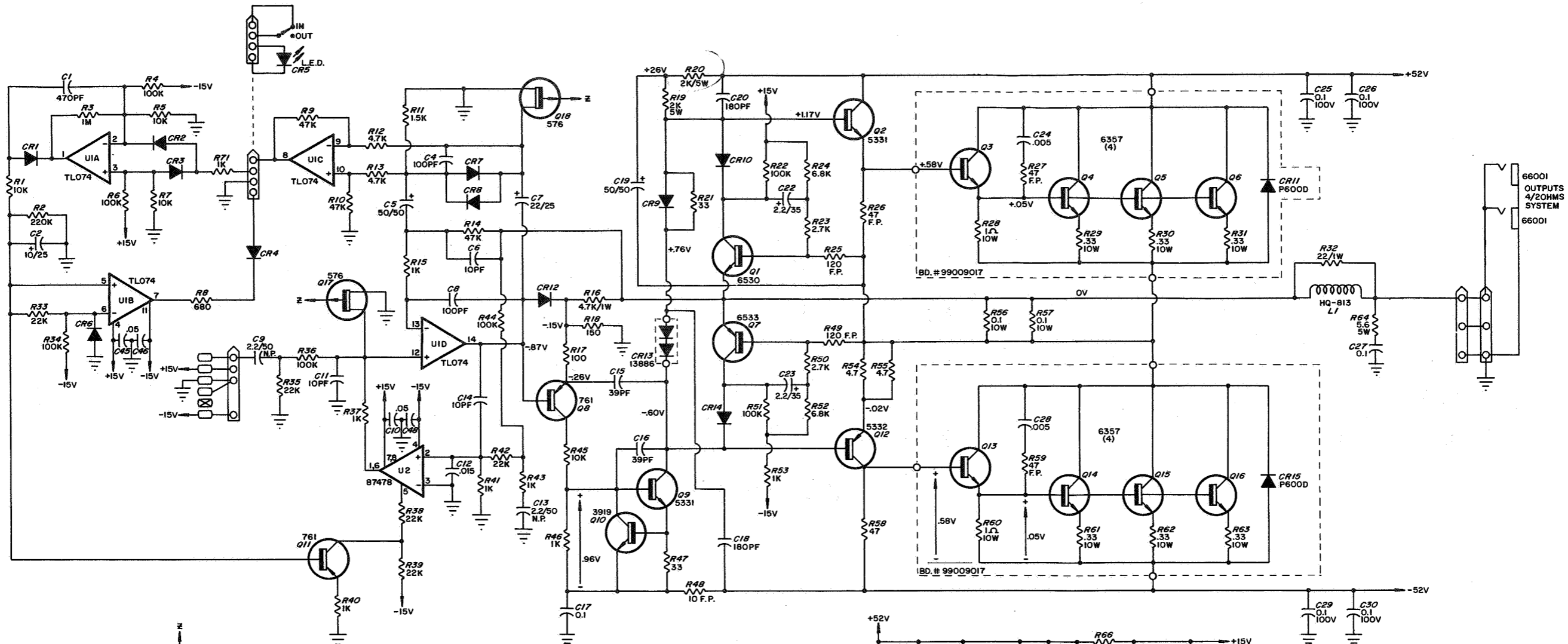


NOTES:  
 ALL RESISTORS 1/4W UNLESS NOTED  
 ALL RESISTORS IN OHMS UNLESS NOTED  
 ALL POTS ARE LINEAR UNLESS NOTED  
 ALL CAPACITORS IN MFD UNLESS NOTED  
 ALL DIODES 1N4148 UNLESS NOTED  
 VOLTAGES MAY VARY FROM UNIT TO UNIT  
 LAST REFERENCE DESIGNATOR USED:  
 R142 C97 U25 CR18 J14 05  
 (...) DESIGNATES EVEN CHANNELS

**XR™600C**  
 MASTER BD. #98830110 (5-12-87)  
 CHANNEL BD. #98830130 (4-28-87)  
 SLIDER BD. #98830120 (4-17-87)

PEAVEY ELECTRONICS CORP. 714 A ST. MERIDIAN, MS	
DRAWN BY <i>ARN</i>	DATE <i>1-27-88</i>
C.B. CK. <i>EP</i>	
CK. BY <i>LAB</i>	
APPR. BY <i>jed</i>	



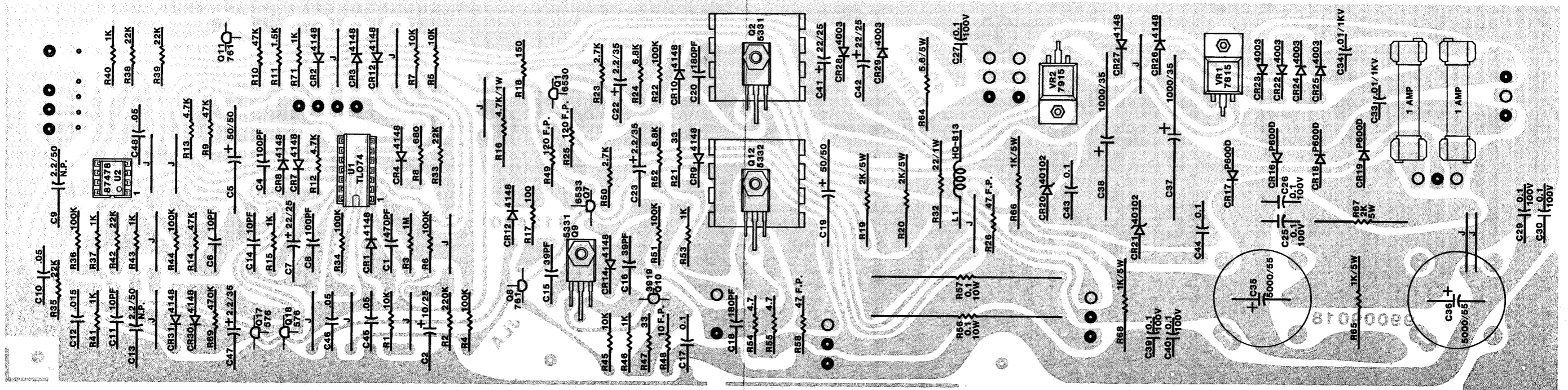


NOTES  
 ALL RESISTORS 1/4W UNLESS NOTED  
 ALL RESISTORS IN OHMS UNLESS NOTED  
 ALL CAPACITORS IN MFD UNLESS NOTED  
 ALL DIODES IN4148 UNLESS NOTED  
 LAST REF. DESIGNATOR USED:  
 R69 C48 CR31 Q13 U2 VR2  
 VOLTAGES MAY VARY FROM UNIT TO UNIT  
 CIRCUITRY PATENTS APPLIED FOR AND PENDING

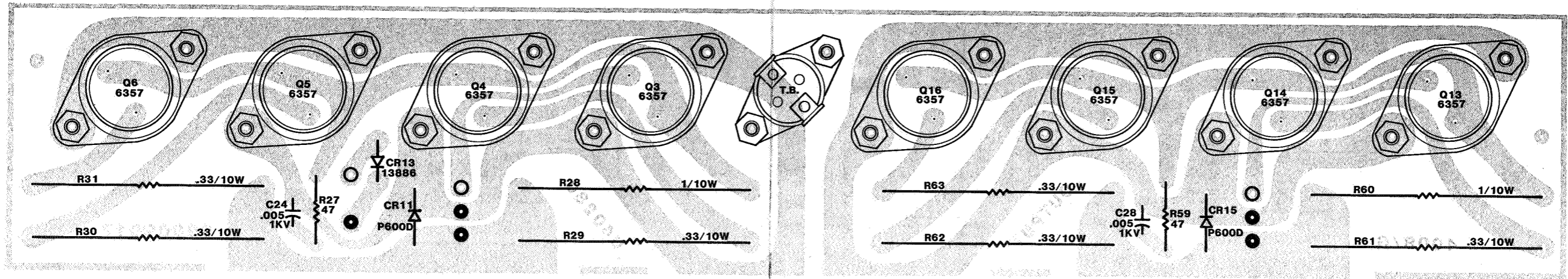
**400 BH MODULE**  
 BD.#99009018  
 (11/24/80)

REVISED	2/23/83	REQ
PEAVEY ELECTRONICS CORP. MERIDIAN, MS.		
DRAWN BY	REQ	DATE 2-16-81
C.B. CHECK	REQ	
CHECK BY	ARD	
APPR. BY	JCD	

400BH



400BH DRIVE BD.



400BH OUTPUT BD.