

DRG NO.

ED4105

INITIAL

ISSUE

DATE

MSW

1:01

20-12-00

SHEET 2
SM/PSU

SHEET 3
SP/DIF O/P

SOUNDCRAFT OWNS THE COPYRIGHT OF THIS DRAWING WHICH IS NOT TO BE COPIED, IN PART OR IN WHOLE TO A THIRD PARTY WITHOUT WRITTEN PERMISSION.

NOTES

DRN.

MSW

DATE

20-12-00

SOUNDCRAFT
HARMAN INT. INDUSTRIES LTD.
CRANBORNE HOUSE,
CRANBORNE ROAD,
POTTERS BAR,
HERTS. EN6 3JN.
TEL: 01707 665000
FAX: 01707 660482

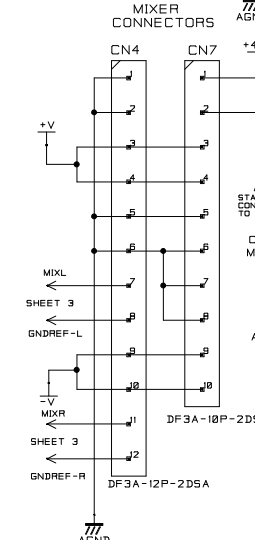
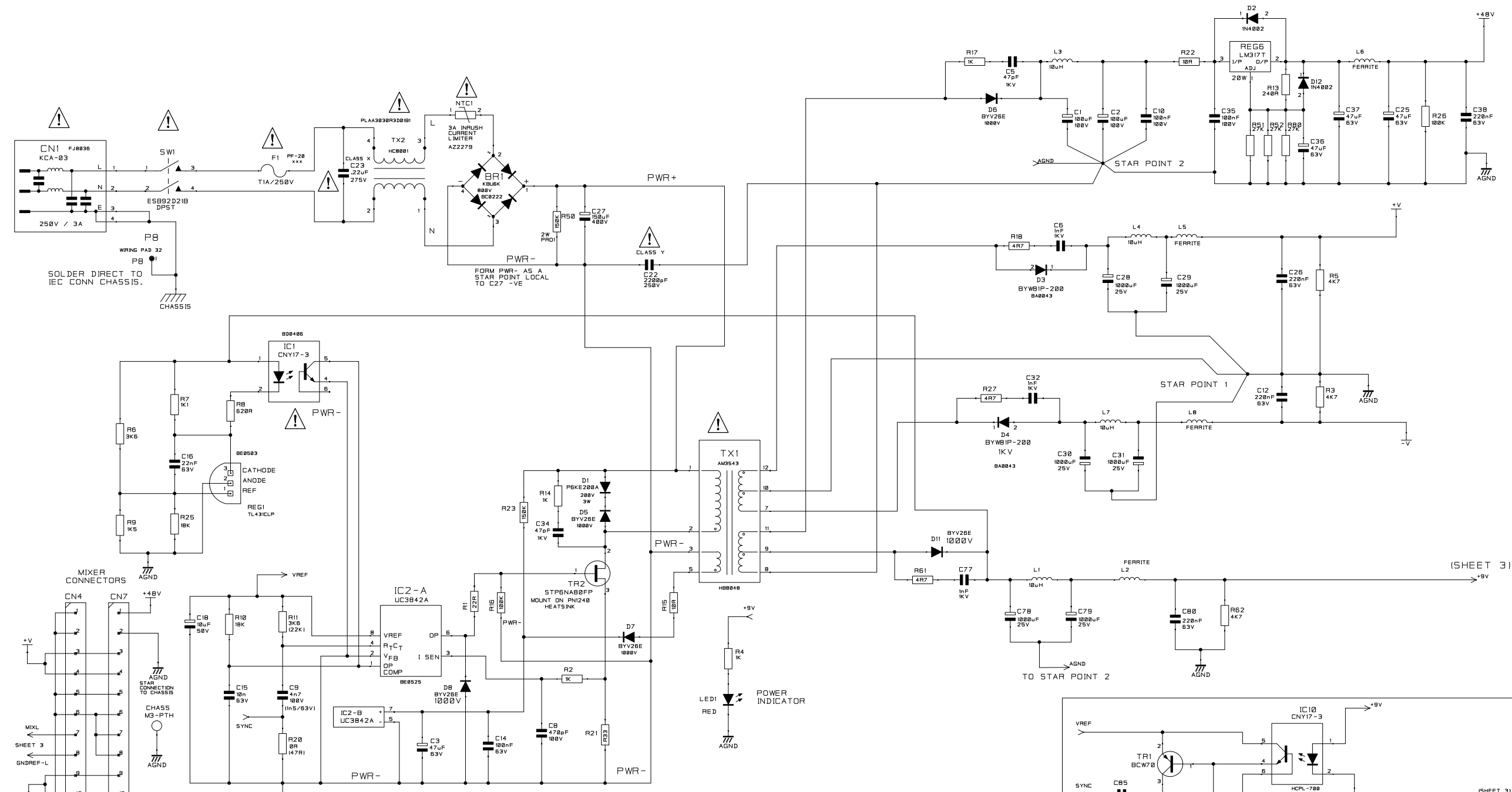
TITLE

SPIRIT M SERIES SM/PSU
TOP LEVEL

DRG NO.

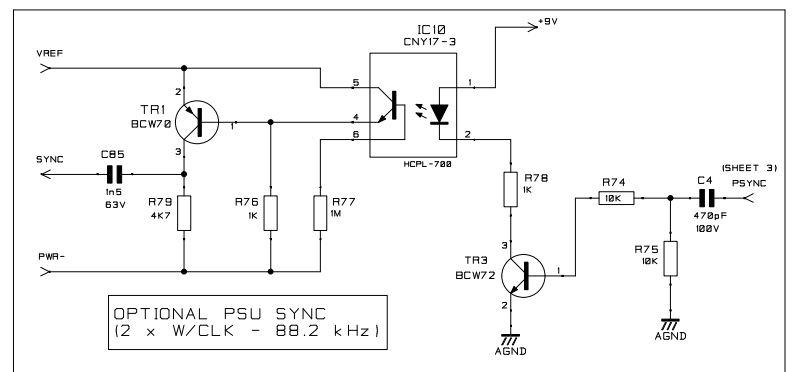
ED4105

SHT. 1 OF 3

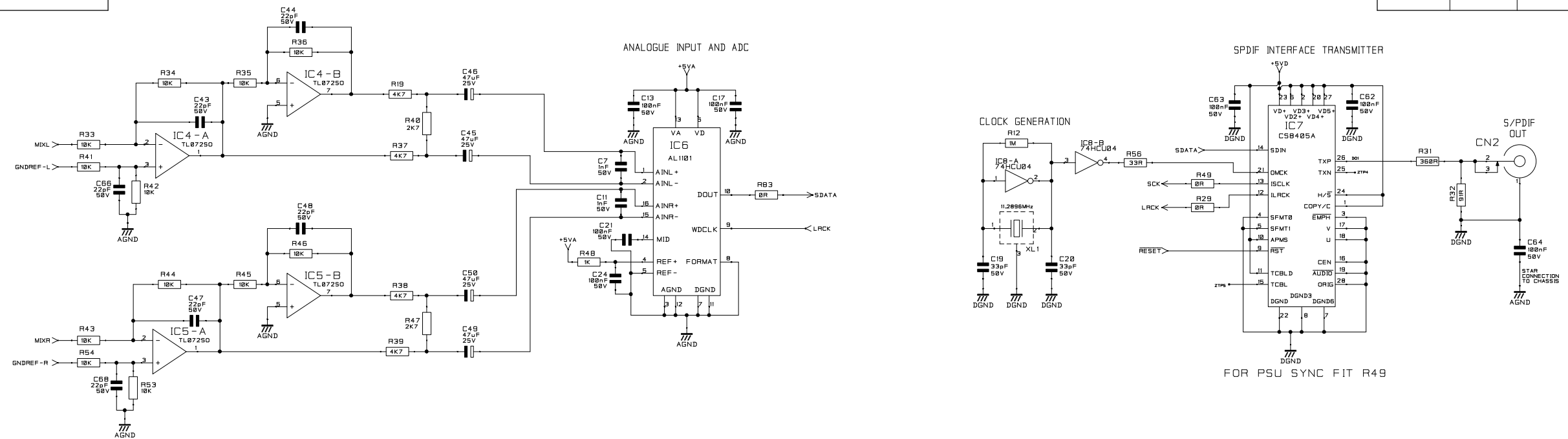


NOTE:
VALUES IN PARENTHESIS FOR R11, R19
AND C9 ARE USED IF PSU SYNC OPTION
COMPONENTS FITTED

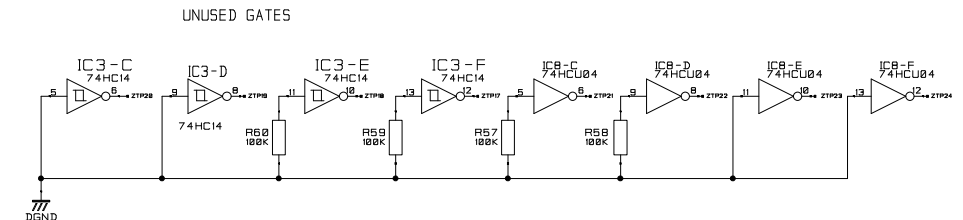
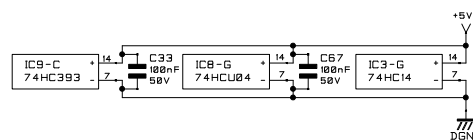
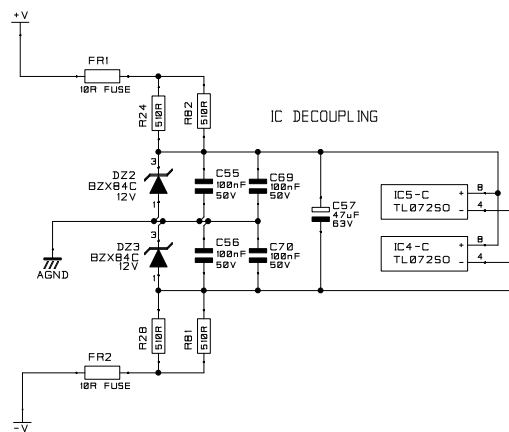
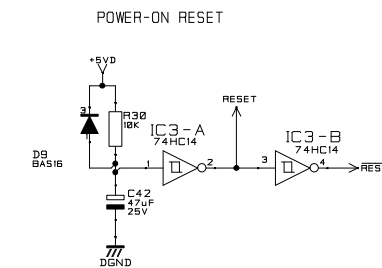
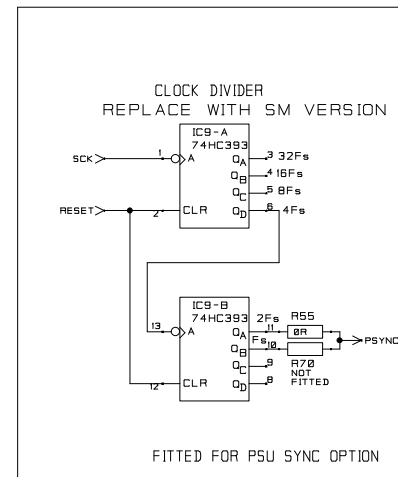
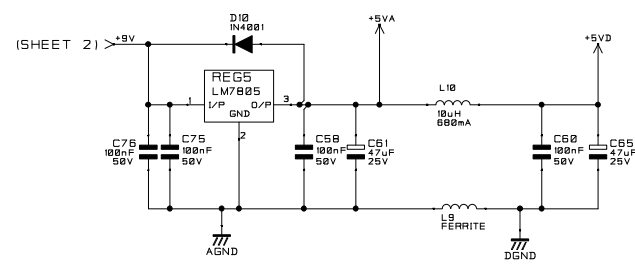
COMPONENTS D3, D4, REG6 AND TR2
REQUIRE AN EXTERNAL HEATSINK. BOLT TO
PSU EXTRUSION WITH "KOOL PADS" AND
RELEVANT INSULATORS. ALL MUST BE
ISOLATED FROM CHASSIS.



| | | | | |
|--|--|----------------------|---|--|
| <p>SOUNDCRAFT OWNS THE COPYRIGHT OF THIS DRAWING WHICH IS NOT TO BE COPIED, IN PART OR IN WHOLE TO A THIRD PARTY WITHOUT WRITTEN PERMISSION.</p> | <p>NOTES</p> <p>THIS VERSION WITHOUT POST-REGULATION ON +16V AND -16V OUTPUTS.</p> | <p>DRN. MSW</p> | <p>SOUNDCRAFT HARMAN INT. INDUSTRIES LTD. CRANBORNE HOUSE, CRANBORNE ROAD, POTTERS BAR, HERTS. EN6 3JN. TEL: 01707 665000 FAX: 01707 660482</p> | <p>TITLE</p> <p>SPIRIT M SERIES SM/PSU</p> |
| | | <p>DATE 20-12-00</p> | | <p>DRG NO. ED4105</p> |



Crystal needs to be changed for the correct 3 pin HC-49 package (11.2896MHz)



SOUNDCRAFT OWNS THE COPYRIGHT OF THIS DRAWING WHICH IS NOT TO BE COPIED, IN PART OR IN WHOLE TO A THIRD PARTY WITHOUT WRITTEN PERMISSION.

NOTES

DRN.

MSW

DATE

20-12-00

SOUNDCRAFT
HARMAN INT. INDUSTRIES LTD.
CRANBORNE HOUSE,
CRANBORNE ROAD,
POTTERS BAR,
HERTS. EN6 3JN.
TEL: 01707 665000
FAX: 01707 660482

TITLE

SPIRIT M SERIES
SM/PSU SP/DIF O/P

DRG NO.

ED4105