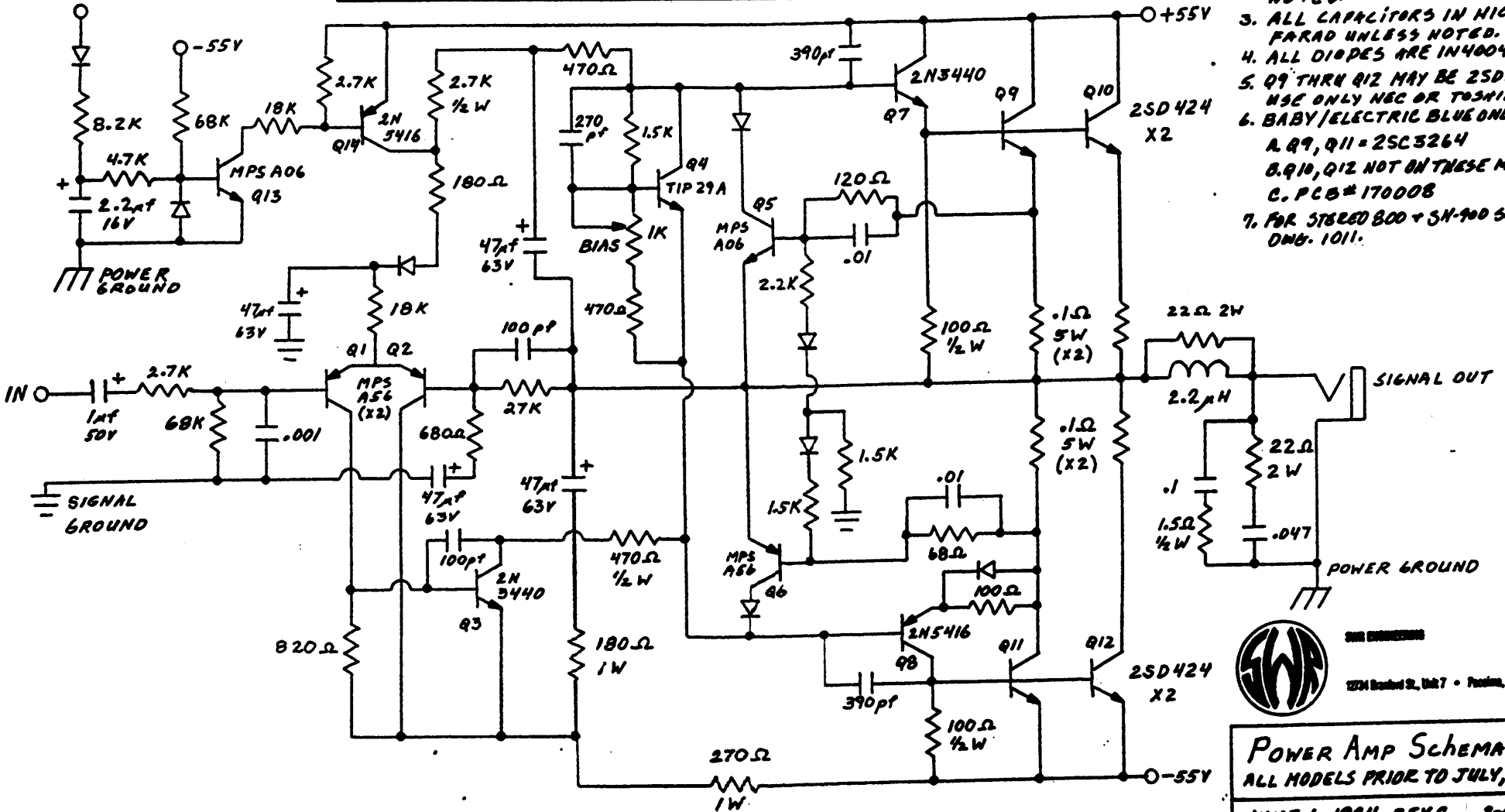


NOTE: FOR FOLLOWING MODELS AND SERIAL #'S, USE DRAWING #1011
 STUDIO 220 - S/N 2539 AND GREATER.
 SM-400 - S/N 5105 " " "
 REDHEADS - S/N 2403 " " "

Notes:

1. D.C. VOLTAGES FOR REDHEAD ARE 10% HIGHER.
2. ALL RESISTORS 1/4 WATT UNLESS NOTED.
3. ALL CAPACITORS IN MICRO-FARAD UNLESS NOTED.
4. ALL DIODES ARE IN4004.
5. Q9 THRU Q12 MAY BE 2SD555. USE ONLY NEC OR TOSHIBA.
6. BABY/ELECTRIC BLUE ONLY:
 A. Q9, Q11 = 2SC3264
 B. Q10, Q12 NOT ON THESE MODELS
 C. PCB #17000B
7. FOR STEREO 800 + SM-400 SEE DWG. 1011.

AK TERMINAL BRIDGE REC.



SWA ENGINEERING
 1224 Brand St., Unit 7 • Pasadena, CA 91101

Power Amp Schematic
 ALL MODELS PRIOR TO JULY, 1992
 JUNE 6, 1984 REV.C 2-5-91.
 DESIGNED + DRAWN - S.W. RABE
 PCB #170002A NO. 1003