

GAIN A @ 10, SHAPE @ 5, A LEVEL @ 5,  
 GAIN B, TONES @ 5, OCTAVE @ 0, & MASTER @ 10  
 CHANNEL B CLEAN, 500Hz INPUT 80mV p-p  
 120VAC

TEST POINT	WAVE SHAPE	A.C. p-p	D.C.	SPECIAL CONDITIONS
1	~	180mV	—	
2	~	180mV	—	
3	~	3.5V	—	CHANNEL A SELECTED
4	~	3V	—	CHANNEL A SELECTED
5	~	1.5V	—	CHANNEL A SELECTED
6	~	260mV	—	
7	~	800mV	—	
8	~	27V	+/-4V	
9	~	18V	—	
10	~	100mV	—	
11	—	—	.7V	
12	—	—	.7V	CHANNEL A SELECTED
13	—	—	7.5V	CHANNEL A SELECTED
14	—	.4 RIPPLE	55V	CHANNEL B SELECTED
15	—	.4 RIPPLE	-55V	
16	—	—	17V	
17	—	—	-17V	

**CAUTION:**  
 THIS SCHEMATIC IS PROVIDED FOR USE BY QUALIFIED PERSONNEL TO AVOID RISK OF ELECTRIC SHOCK, REFER SERVICING TO QUALIFIED SERVICE PERSONNEL. DO NOT PERFORM ANY SERVICING BEYOND THAT EXPLAINED IN THE OPERATING INSTRUCTIONS.

**NOTES:**  
 1) CAUTION: SHOCK HAZARD!! THIS UNIT CONTAINS HAZARDOUS VOLTAGE. DISCONNECT POWER AND BE SURE POWER SUPPLY IS DISCHARGED BEFORE TOUCHING INTERNAL PARTS.  
 2) UNLESS NOTED, RESISTOR VALUES IN OHMS, 1/4W-5% TOL. CAPACITOR VALUES IN MICROFARADS, 50V-10% TOL.  
 3) VOLTAGES ARE MEASURED WITH 1 MEGOHM OSCILLOSCOPE AND 10 MEGOHM DIGITAL VOLTMETER.

Ref Des	Device(Type)	Package	+15V	C_GND	-15V	+15VX	-15VB	+15VB	-15VX
U1	3707201	8DIP_3	8		4				
U4	3707201	8DIP_3	8		4				
U5	3707201	8DIP_3	8		4				
U6	3707201	8DIP_3	8		4				
U7	3707201	8DIP_3	8		4				
U8	3707201	8DIP_3			8				4
U9	3707201	8DIP_3			4		8		
U12	3741301	14DIP_3	7		14				

REV	Date	DESCRIPTION	Ecr(s)/Ecn(s)	Chgd By	Appvd by	Date
1	5-13-04	CHANGED C61, C62 TO 22uf CONTROL ISSUE		R01247	RLB	

THE INFORMATION CONTAINED ON THIS DRAWING IS PROPRIETARY TO ST. LOUIS MUSIC, INC.

**Signatures:** \_\_\_\_\_ **Date:** 6-19-03

Drawn: RLB

Checked: \_\_\_\_\_

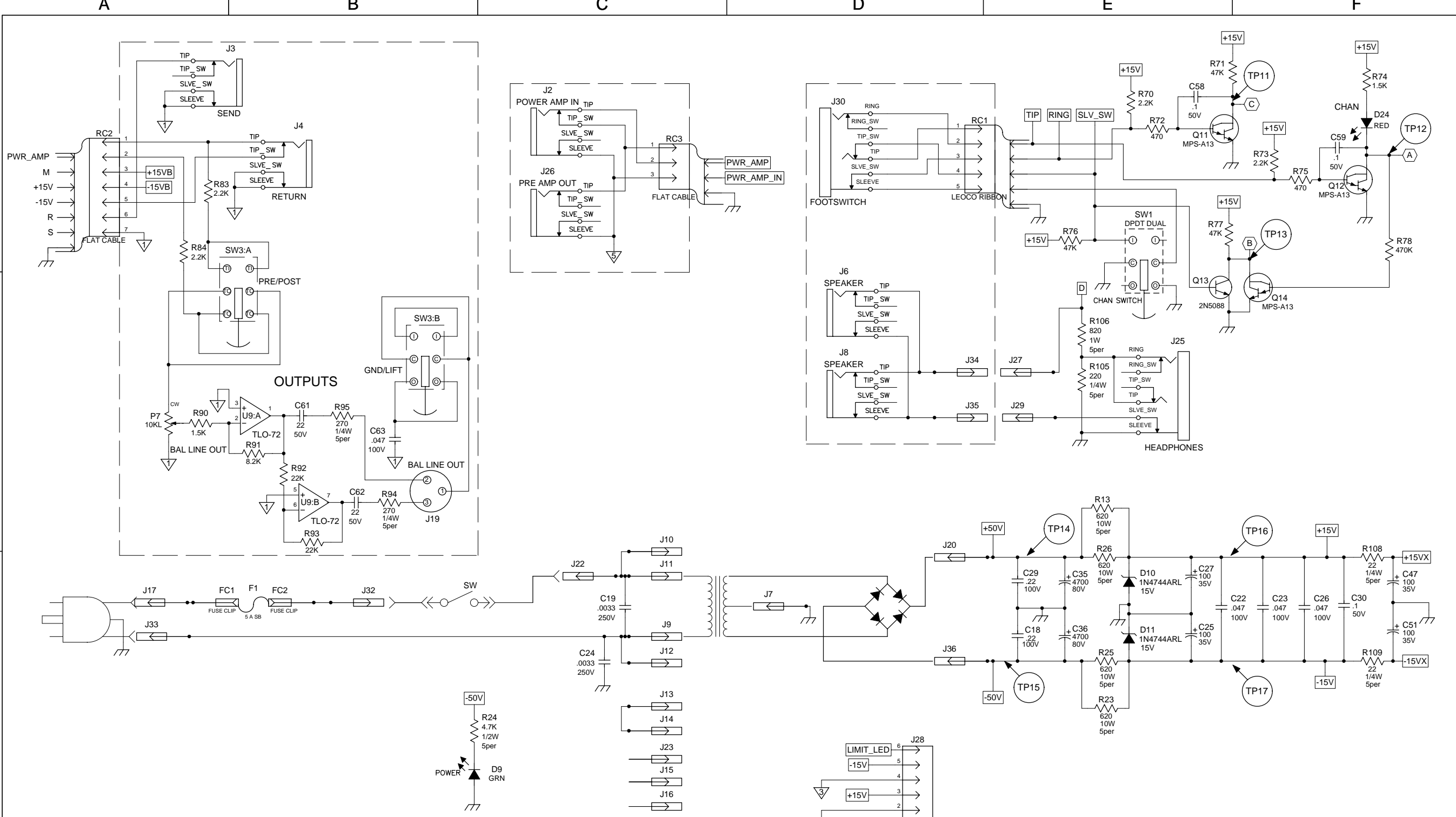
Released: \_\_\_\_\_

Plot Date: Mon May 17, 2004 **Drawing Size: C** **Drawing Title: BASS PREAMP**

Plot Time: 13:16:28 **Drawing Type: Schematic**

**Tolerance:** \_\_\_\_\_ **Class Code: NONE** **Drawing Number: 07S662**

Sheet 1 of 2



**CAUTION:**  
 THIS SCHEMATIC IS PROVIDED FOR USE BY QUALIFIED PERSONNEL.  
 TO AVOID RISK OF ELECTRIC SHOCK, REFER SERVICING TO QUALIFIED  
 SERVICE PERSONNEL. DO NOT PERFORM ANY SERVICING BEYOND  
 THAT EXPLAINED IN THE OPERATING INSTRUCTIONS.

**NOTES:**  
 1) CAUTION: SHOCK HAZARD!!  
 THIS UNIT CONTAINS HAZARDOUS VOLTAGE. DISCONNECT POWER  
 AND BE SURE POWER SUPPLY IS DISCHARGED BEFORE  
 TOUCHING INTERNAL PARTS.  
 2) UNLESS NOTED, RESISTOR VALUES IN OHMS, 1/4W-5% TOL.  
 CAPACITOR VALUES IN MICROFARADS, 50V-10% TOL.  
 3) VOLTAGES ARE MEASURED WITH 1 MEGOHM OSCILLOSCOPE  
 AND 10 MEGOHM DIGITAL VOLTMETER.

1	5-13-04	CHANGED C61, C62 TO 22uf CONTROL ISSUE	R01247	RLB		
REV	Date	DESCRIPTION	Ecr(s)/Ecn(s)	Chgd By	Appvd by	Date
THE INFORMATION CONTAINED ON THIS DRAWING IS PROPRIETARY TO ST. LOUIS MUSIC, INC.						
<b>Signatures:</b>		<b>Date:</b>		 1901 Congressional, St. Louis, MO 63146		
Drawn: RLB		6-19-03				
Checked:				First Used On:		
Released:						
Plot Date: Mon May 17, 2004		Drawing Size: C		Drawing Title:		
Plot Time: 13:16:29		Drawing Type: Schematic		<b>BASS PREAMP</b>		
Tolerance:		Class Code: NONE		Drawing Number:		
		Sheet 2 of 2		<b>07S662</b>		