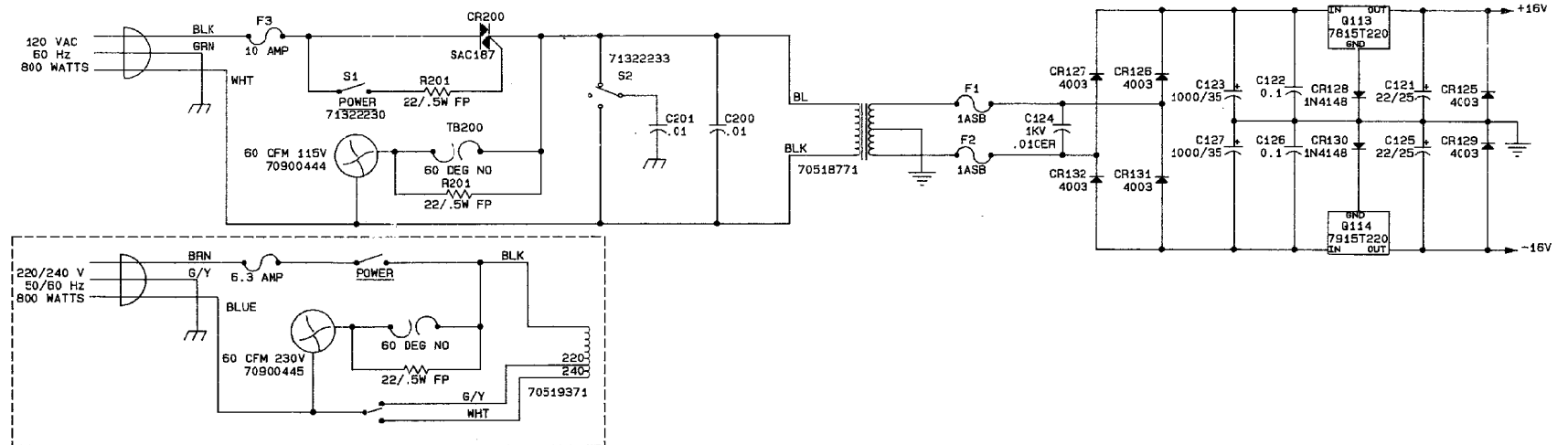
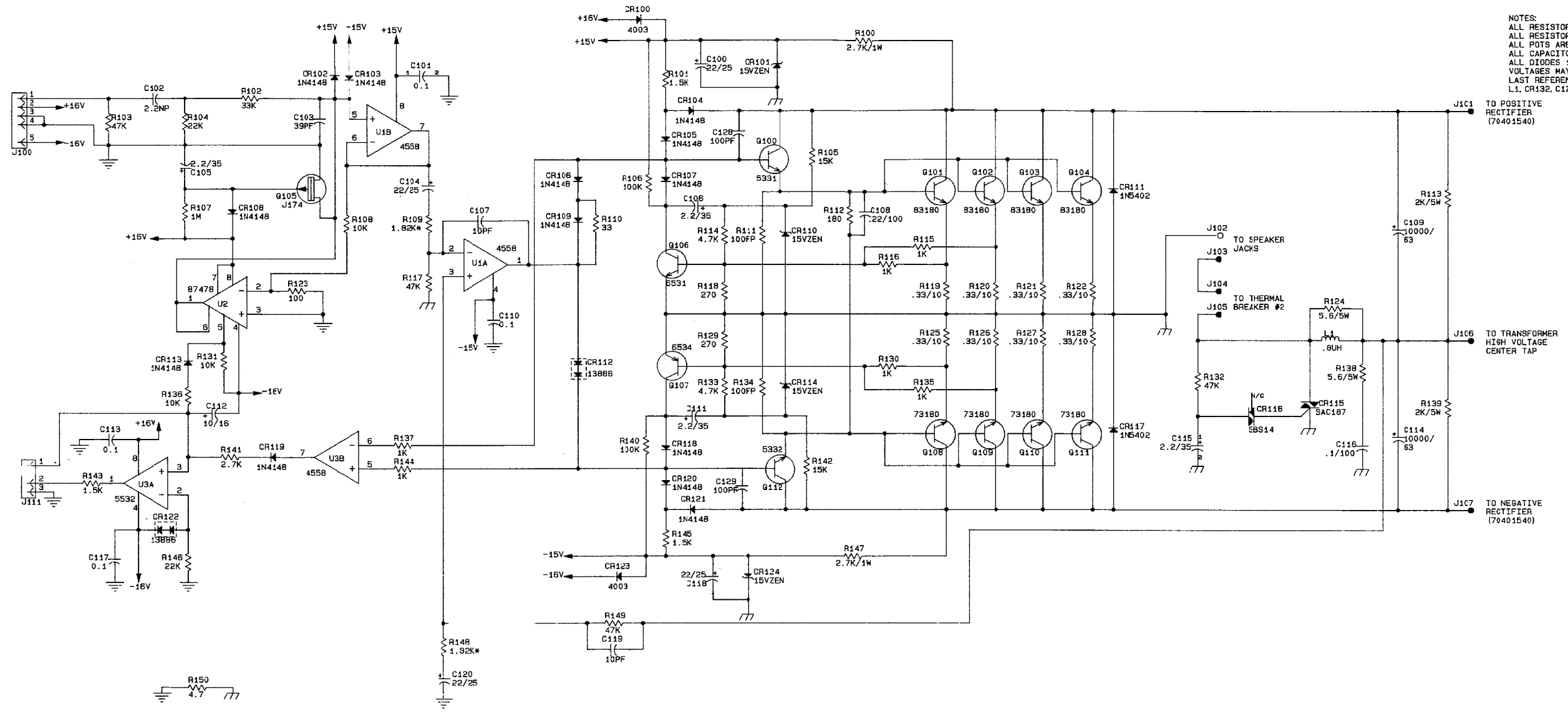
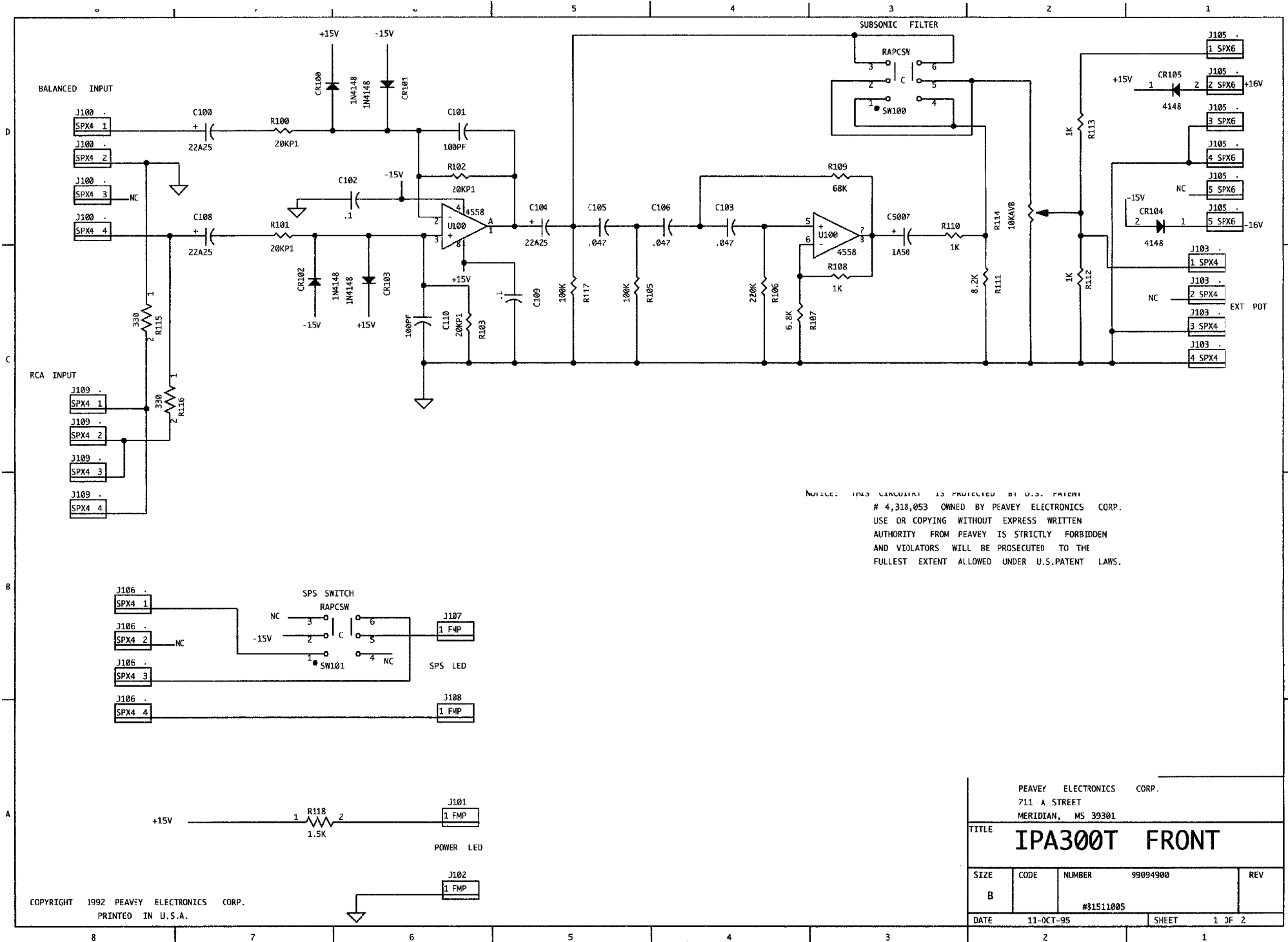


NOTES:
 ALL RESISTORS 1/4W UNLESS NOTED
 ALL RESISTORS IN OHMS UNLESS NOTED
 ALL POTS ARE LINEAR UNLESS NOTED
 ALL CAPACITORS IN MFD UNLESS NOTED
 ALL DIODES 1N4148 UNLESS NOTED
 VOLTAGES MAY VARY FROM UNIT TO UNIT
 LAST REFERENCE DESIGNATOR USED:
 L1, CR132, C129, R150, J111, Q114, F2



402 MODULE
 BD. #98830170 (E-27-88)

PEAVEY ELECTRONICS CORP. 711 A ST. MERIDIAN, MS	
DRAWN BY JAH	DATE 12-16-87
C.B. CK. JAH	
CK. BY	
APPD. BY Jof	

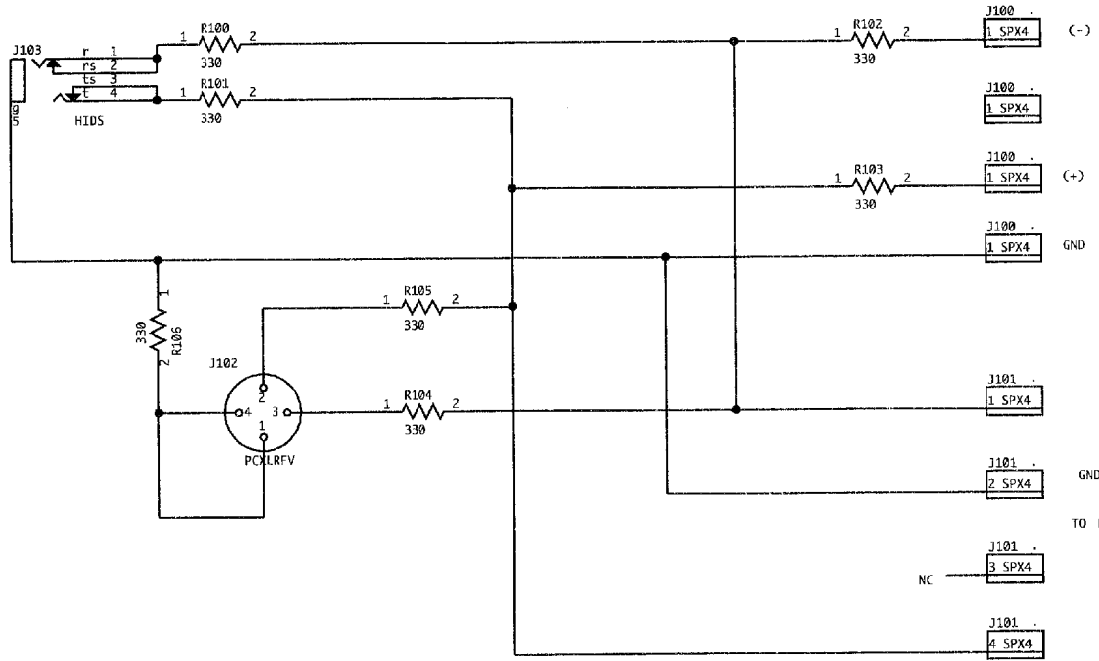


NOTICE: THIS CIRCUIT IS PROTECTED BY U.S. PATENT # 4,318,053 OWNED BY PEAVEY ELECTRONICS CORP. USE OR COPYING WITHOUT EXPRESS WRITTEN AUTHORITY FROM PEAVEY IS STRICTLY FORBIDDEN AND VIOLATORS WILL BE PROSECUTED TO THE FULLEST EXTENT ALLOWED UNDER U.S. PATENT LAWS.

PEAVEY ELECTRONICS CORP.
711 A STREET
MERIDIAN, MS 39301

TITLE
IPA300T FRONT

SIZE	CODE	NUMBER	99094900	REV
B		#31511005		
DATE	11-OCT-95		SHEET	1 OF 2

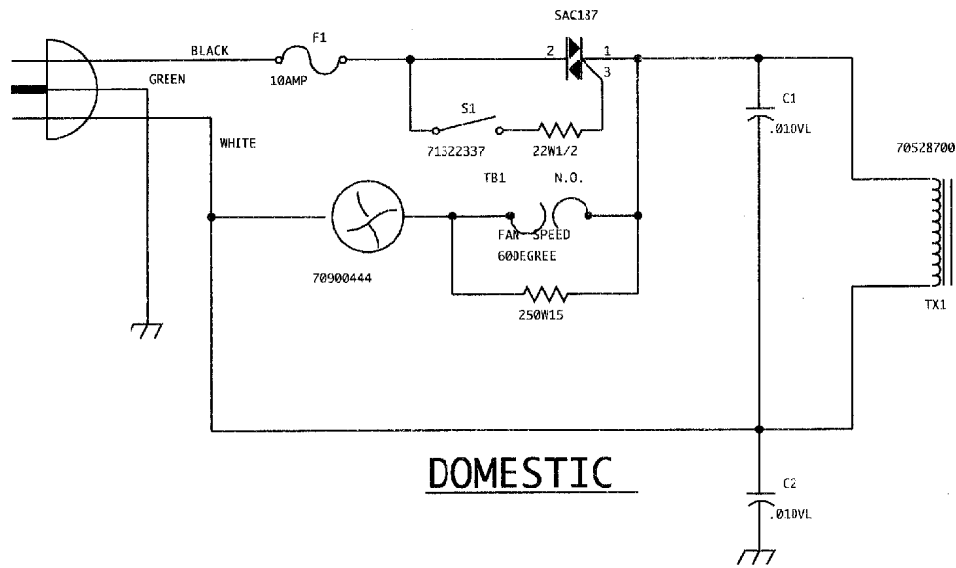


TO BARRIER STRIP

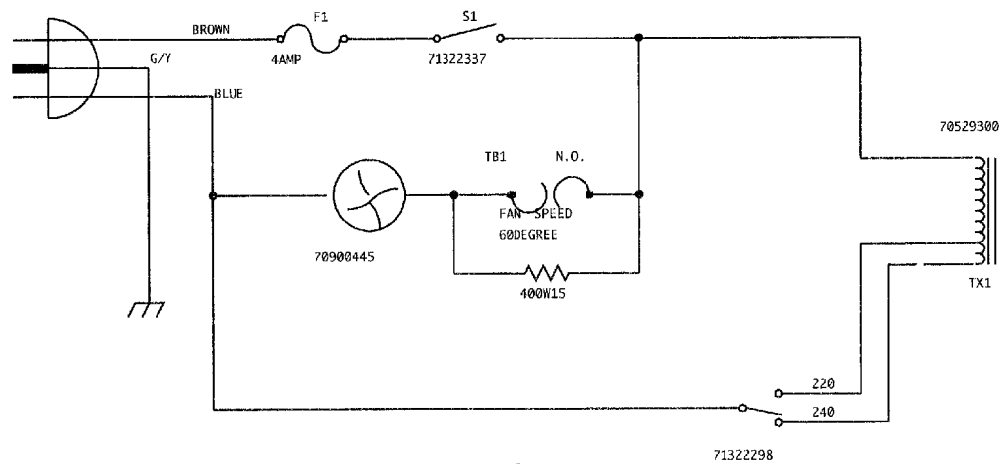
TO FRONT PANEL CB

NOTICE: THIS CIRCUITRY IS PROTECTED BY U.S. PATENT # 4,318,053 OWNED BY PEAVEY ELECTRONICS CORP. USE OR COPYING WITHOUT EXPRESS WRITTEN AUTHORITY FROM PEAVEY IS STRICTLY FORBIDDEN AND VIOLATORS WILL BE PROSECUTED TO THE FULLEST EXTENT ALLOWED UNDER U.S. PATENT LAWS.

PEAVEY ELECTRONICS CORP. 711 A STREET MERIDIAN, MS 39301			
TITLE IP300T INPUT			
SIZE B	CODE	NUMBER 99094750 #815L1005	REV
DATE 11-OCT-95	SHEET 1 OF 1		



DOMESTIC



EXPORT

NOTICE: THIS CIRCUITRY IS PROTECTED BY U.S. PATENT NO. 4,318,053 OWNED BY PEAVEY ELECTRONICS CORP. USE OR COPYING WITHOUT EXPRESS WRITTEN AUTHORITY FROM PEAVEY IS STRICTLY FORBIDDEN AND VIOLATORS WILL BE PROSECUTED TO THE FULLEST EXTENT ALLOWED UNDER U.S. PATENT LAWS.

PEAVEY ELECTRONICS CORP. 711 A STREET MERIDIAN, MS 39301			
TITLE IPA300T AC BOARD			
SIZE B	CODE	NUMBER 99095100 #8:511005	REV
DATE 11-OCT-95	SHEET 1 OF 1		

