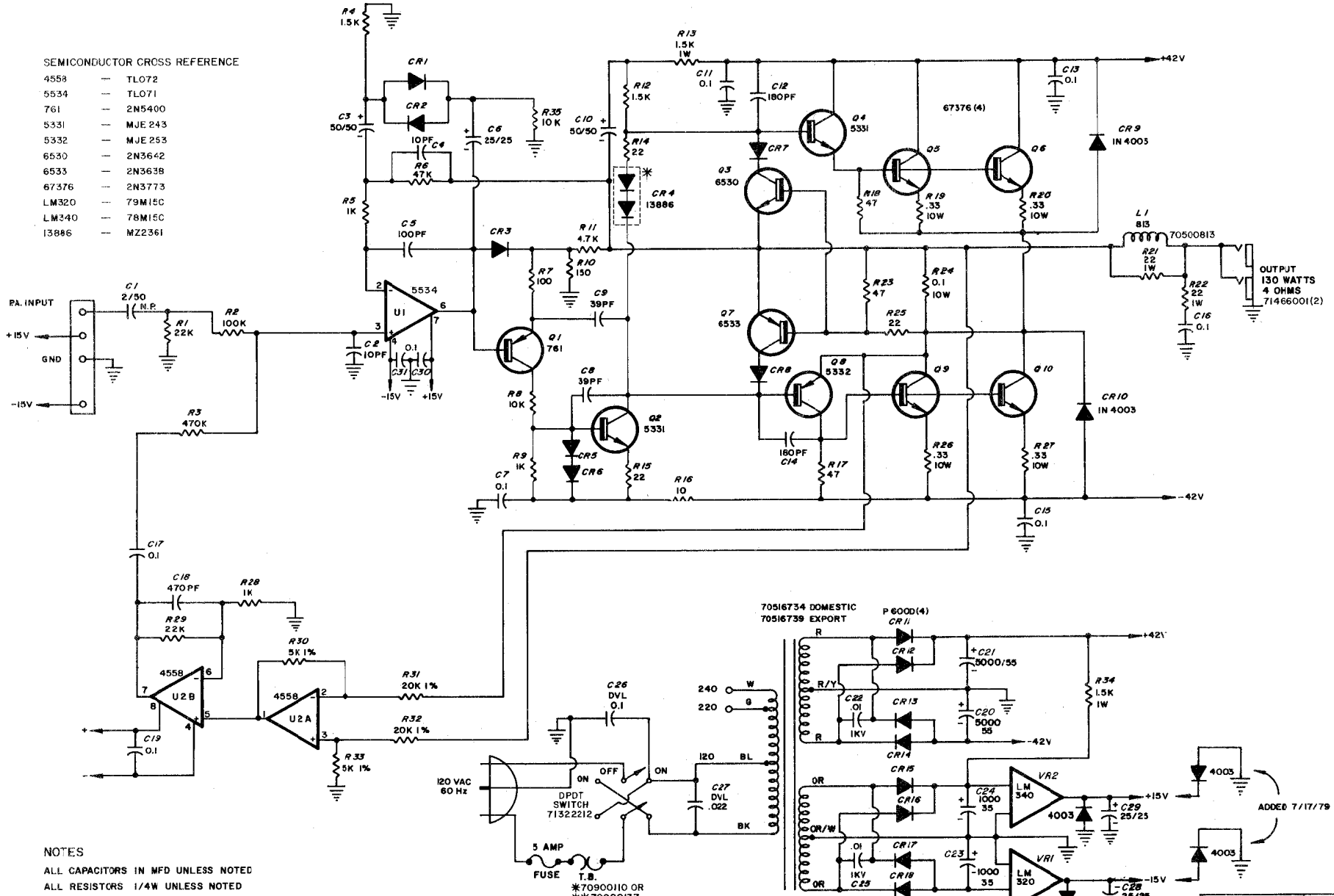


SEMICONDUCTOR CROSS REFERENCE

4558	—	TL072
5534	—	TL071
761	—	2N5400
5331	—	MJE 243
5332	—	MJE 253
6530	—	2N3642
6533	—	2N3638
67376	—	2N3773
LM320	—	79M15C
LM340	—	78M15C
13886	—	MZ2361



NOTES

- ALL CAPACITORS IN MFD UNLESS NOTED
- ALL RESISTORS 1/4W UNLESS NOTED
- ALL TRANSISTORS SP3 953 UNLESS NOTED
- ALL DIODES IN 4148 UNLESS NOTED
- LAST REFERENCE DESIGNATOR USED
- C3 R35 Q10 U2 CR18

\*ATTACHED TO U.S. \*\* ATTACHED TO 67376 TRANSISTOR

PRINTED IN U.S.A. ©1986 PEAVEY ELECTRONICS

**260D**

PEAVEY ELECTRONICS CORP. MERIDIAN, MS	
DRAWN BY <i>RMH</i>	DATE
C.B. CK <i>RMH</i>	
CK. BY <i>RMH</i>	
APPR. BY <i>JCB</i>	

REVISED 8/11/86

ADDED 7/17/79