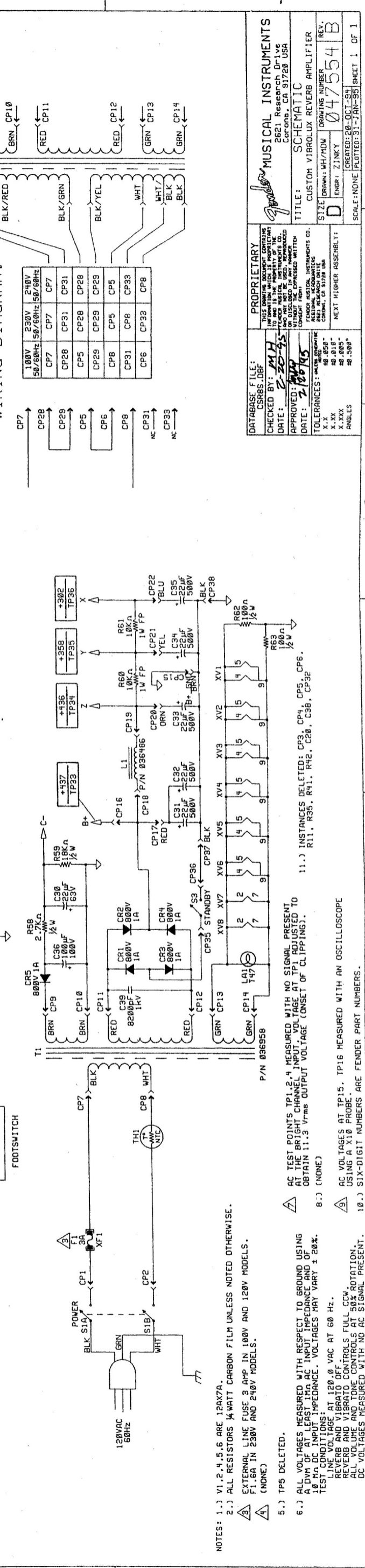
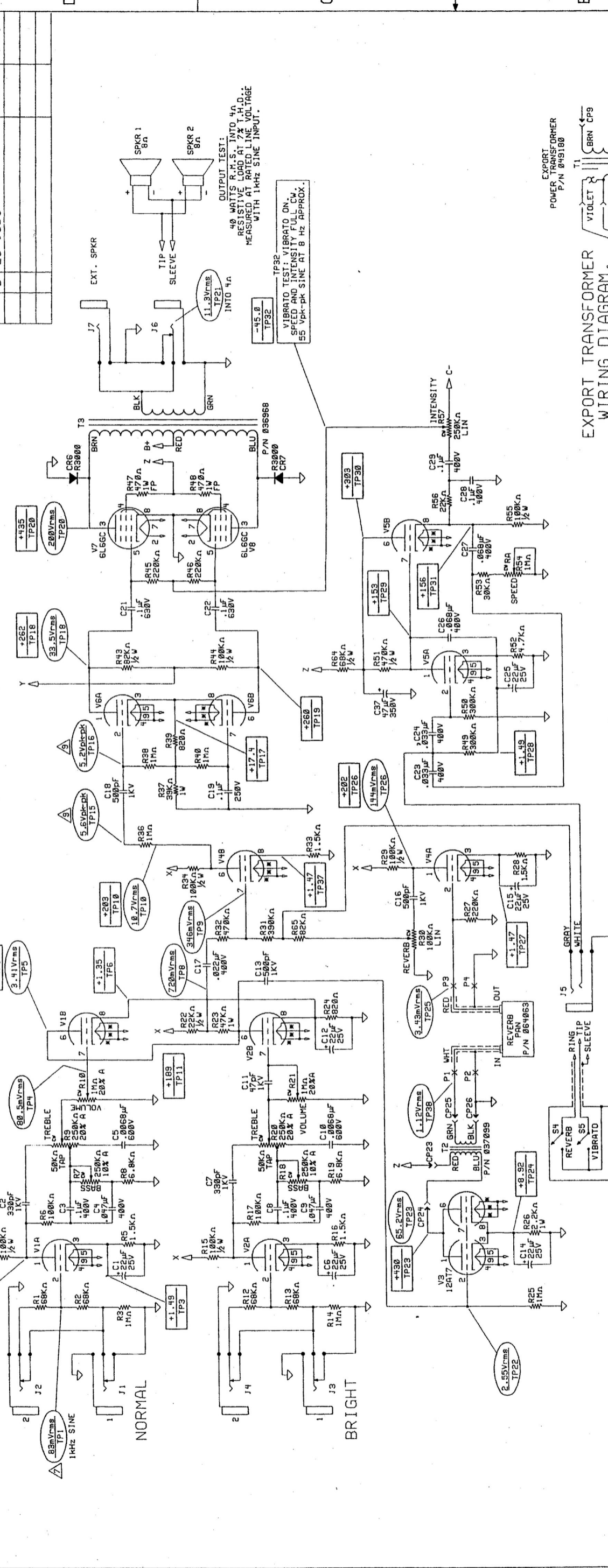


ZONE	REV.	DESCRIPTION	DATE	APPROVED
	A	RELEASED CSR8	08/09/94	
	B	EC 1306	30-JAN-95	MAU



PROPRIETARY
THIS DRAWING DOCUMENT CONTAINS INFORMATION WHICH IS PROPRIETARY TO FENDER MUSICAL INSTRUMENTS CO. AND IS TO BE KEPT CONFIDENTIAL AND NOT REPRODUCED OR DISCLOSED IN ANY MANNER WITHOUT THE EXPRESS WRITTEN PERMISSION OF FENDER MUSICAL INSTRUMENTS CO.

DATABASE FILE: CSR8.DBF
CHECKED BY: MH
DATE: 2-20-95
APPROVED: MAU
DATE: 2-20-95

TOLERANCES: UNLESS OTHERWISE SPECIFIED
X.X .005"
X.XX .001"
X.XXX .0005"
ANGLES .508"

SCALE: NONE PLOTTED: 31-JAN-95 SHEET 1 OF 1

MUSICAL INSTRUMENTS
2621 Research Drive
Corona, CA 91720 USA

TITLE: SCHEMATIC
CUSTOM VIBROLUX REVERB AMPLIFIER
DRAWING NUMBER: 047554
REV: B
ENGR: ZINKY
CREATED: 20-OCT-94

- NOTES:
- 1.) V1, 2, 4, 5, 6 ARE 12AX7A.
 - 2.) ALL RESISTORS 1/4 WATT CARBON FILM UNLESS NOTED OTHERWISE.
 - 3.) EXTERNAL LINE FUSE 3 AMP IN 100V AND 120V MODELS. F1.6A IN 230V AND 240V MODELS. (NONE)
 - 4.) TP5 DELETED.
 - 5.) ALL VOLTAGES MEASURED WITH RESPECT TO GROUND USING A DVM OF AT LEAST 100Ω AC INPUT IMPEDANCE AND OF 10 MΩ DC INPUT IMPEDANCE. VOLTAGES MAY VARY ± 20%.
 - 6.) LINE VOLTAGE AT 120.0 VAC AT 60 HZ. REVERB AND VIBRATO OFF. REVERB AND VIBRATO CONTROLS FULL CCW. ALL VOLUME AND TONE CONTROLS AT 50% ROTATION. DC VOLTAGES MEASURED WITH NO AC SIGNAL PRESENT.
 - 7.) TP16 MEASURED WITH AN OSCILLOSCOPE USING A X10 PROBE.
 - 8.) (NONE)
 - 9.) SIX-DIGIT NUMBERS ARE FENDER PART NUMBERS.
 - 10.) INSTANCES DELETED: CP3, CP4, CP5, CP6, R11, R35, R41, R42, C20, C36, CP32.