

**NOTES**  
 DASHED LINES DENOTE WIRES FROM THE PCB.  
 P2 (A5) = PAGE NO & GRID REF.  
 GND'S MARKED \* ARE POT BUS GND.

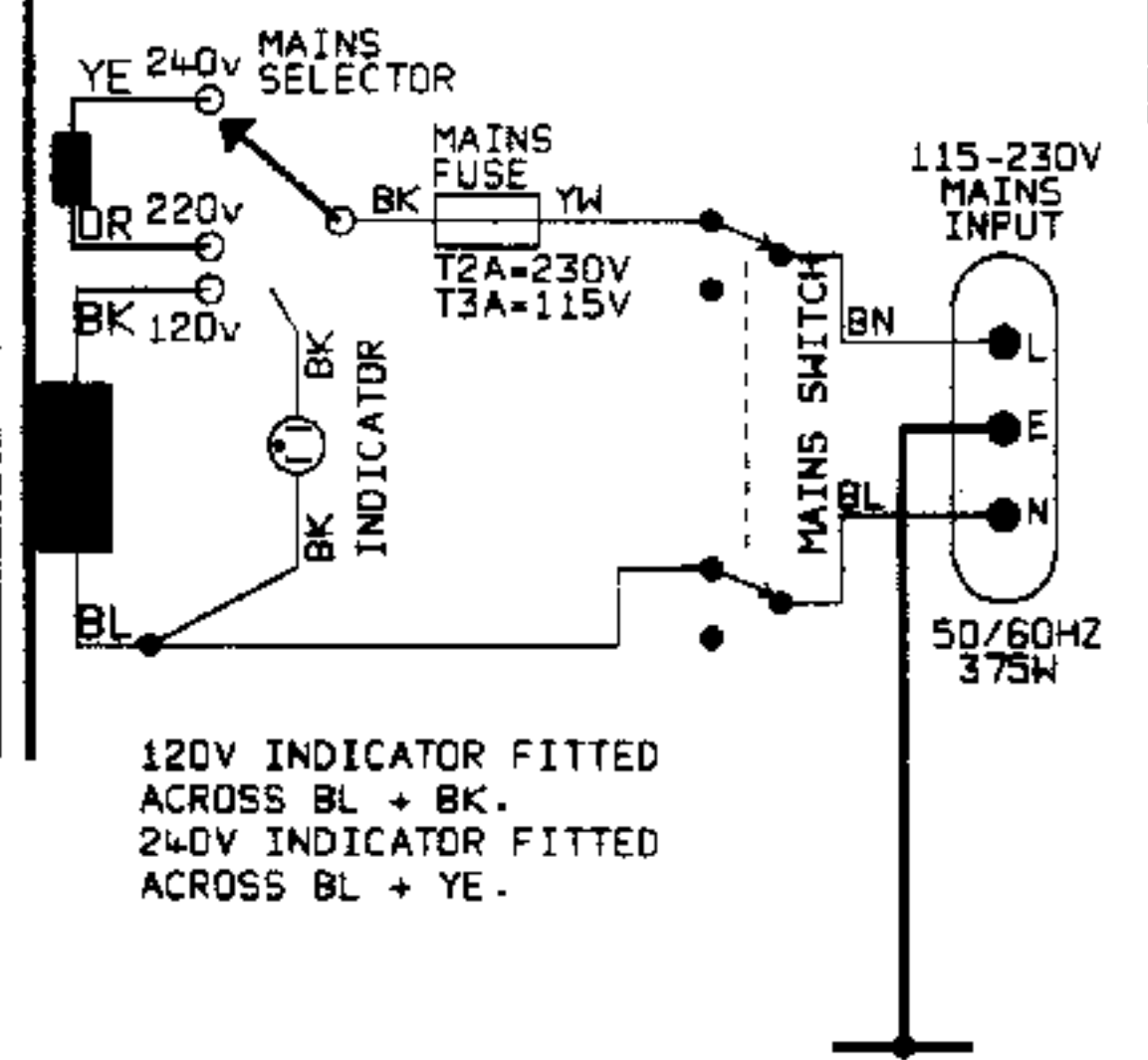
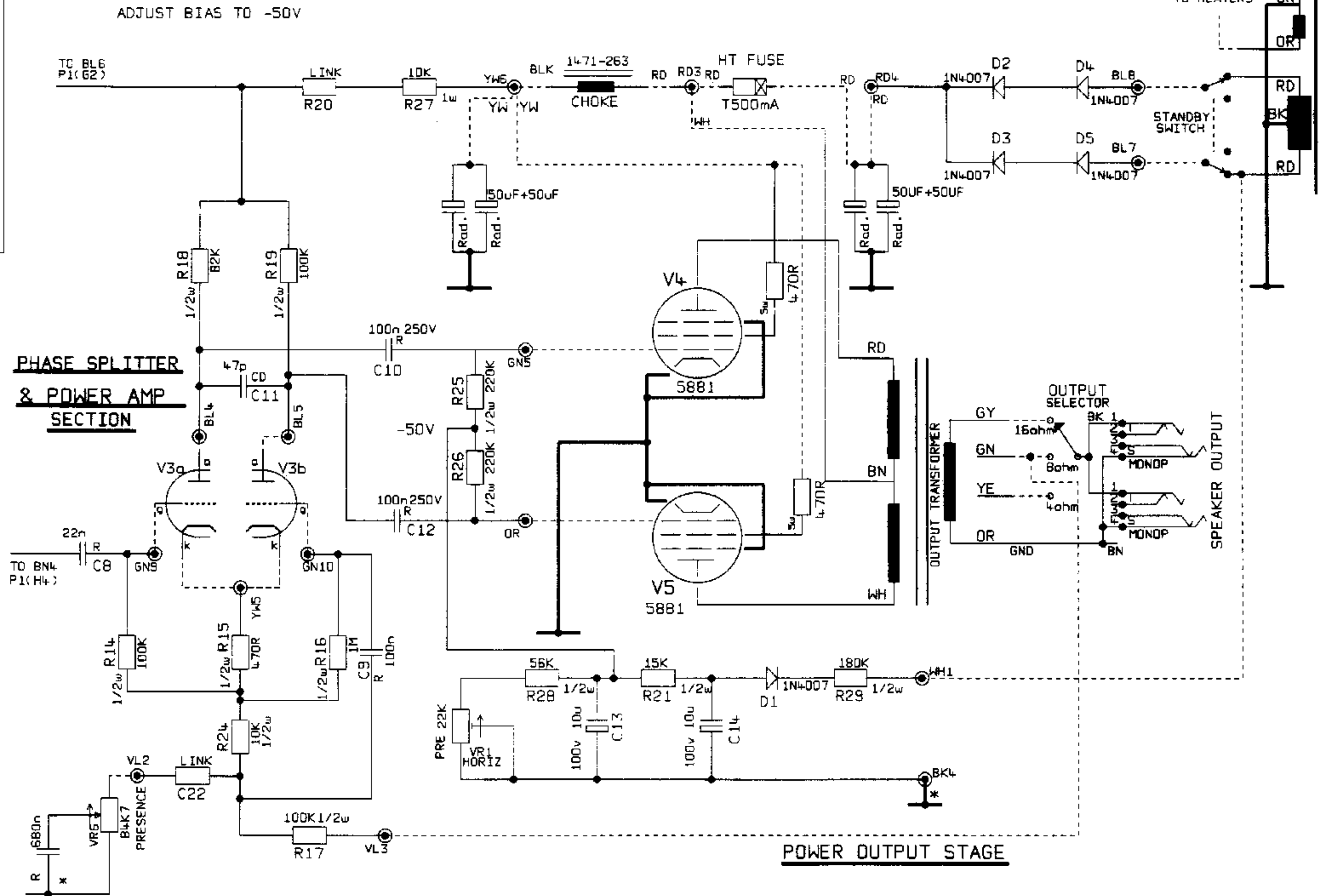
**LEAD PREAMP SECTION**

UNSPECIFIED HOLE DATA				DATE		CHECKED		DRAWN	
6	0680	09/8/94	A	H					
5	0443/0405	22/10/93	B	J					
4	0435	18/10/93	C	K					
3	0394	06/8/93	D	L					
2	0370	29/6/93	E	M					
1	0338	13/5/93	F	N					
ISS	ECD NUMBER	DATE	G	P					

**Marshall**  
 MARSHALL AMPLIFICATION PLC  
 1987X

TITLE		CCT DIAGRAM	
1 OF 2		A3	
DWG. No		87X-60-02	
ISSUE		6	

DWG. No. 87X-60-02



120V INDICATOR FITTED ACROSS BL + BK.  
240V INDICATOR FITTED ACROSS BL + YE.

USA CHANGES ONLY

- 1) V4, V5 = EL34 VALVES
- 2) C10, C12 = 22N
- 3) R14 = 1M 1/2W
- 4) R29 = 220K 1/2W
- 5) V4, V5 SCREENED GRID RESISTORS = 1K 5W

NOTES

DASHED LINES DENOTE WIRES OFF FROM THE PCB.  
P2 (A5) = PAGE NO & GRID REF.  
GND,S MARKED \* ARE POT BUS GND.  
SWITCH NO: 81055BT  
MAINS TX: 1202-324  
OUTPUT TX: 784-139

6	680	09/08/94	A
5	0443/0405	22/10/93	B
4	0435	19/10/93	C
3	0394	06/8/93	D
2	0370	29/6/93	E
1	0338	13/5/93	F
ISS	ECO NUMBER	DATE	G

UNSPECIFIED HOLE DATA	
MATERIAL	H
MATERIAL THICKNESS	J
INTERNAL BEND RADIUS	K
EXTERNAL R/A	L
BEND DIE	M
DRAWN CTR	N
CHECKED <i>K.S. S. DATE 24-8-94</i>	P
APPROVED	

DIMENSIONS IN	
TOLERANCE (UNLESS OTHERWISE STATED)	
DIMENSIONAL	
CENTRES	
ANGULAR	
MODEL	
1987X	

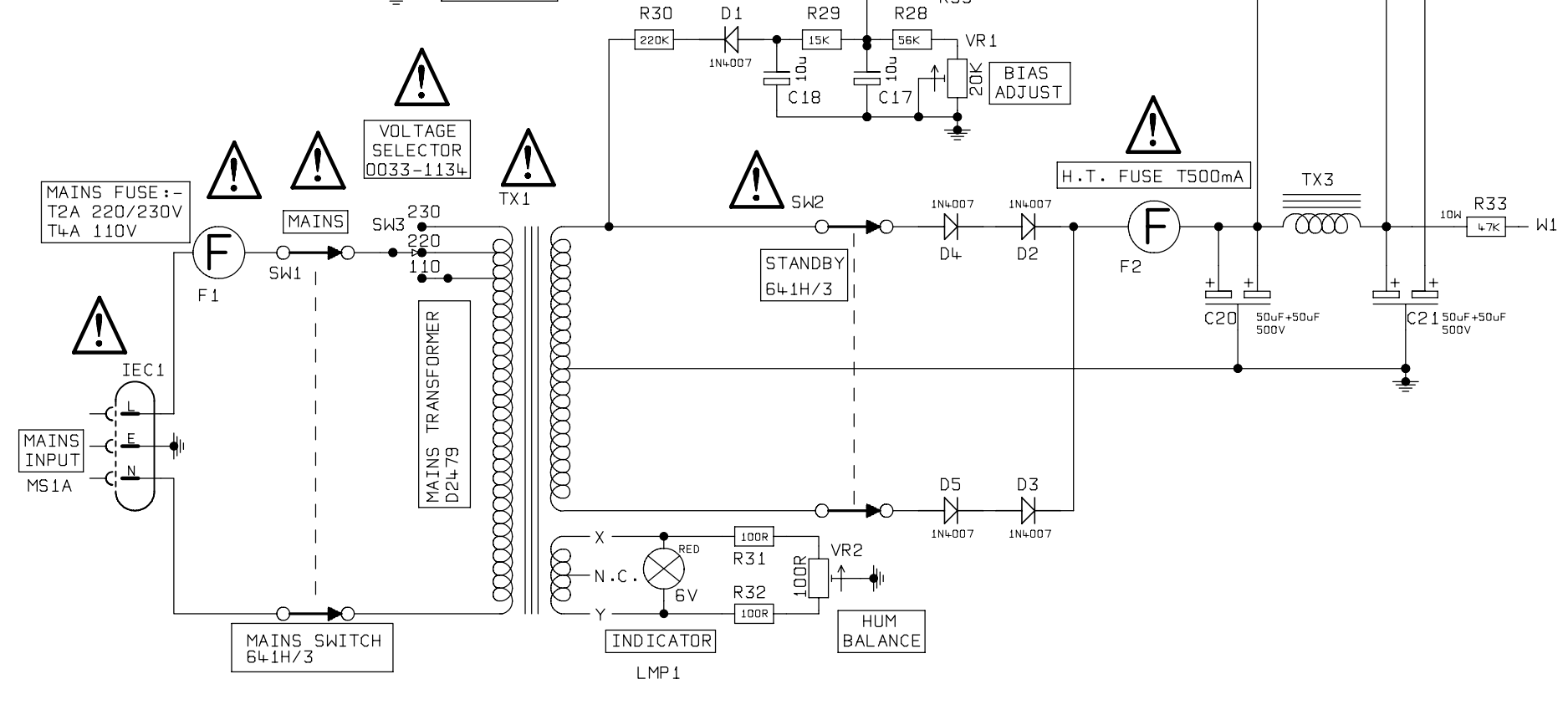
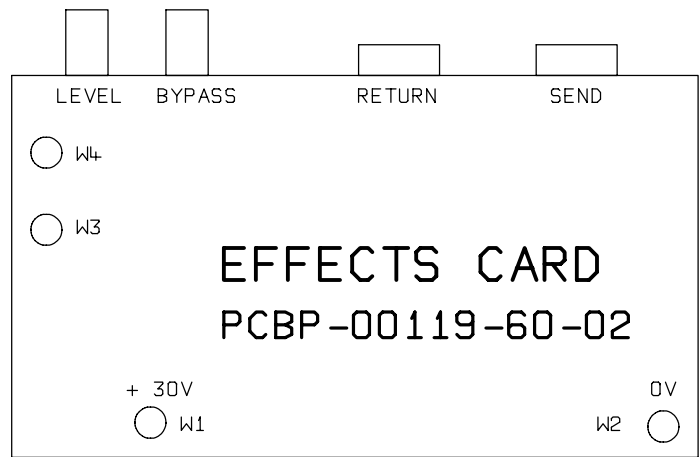
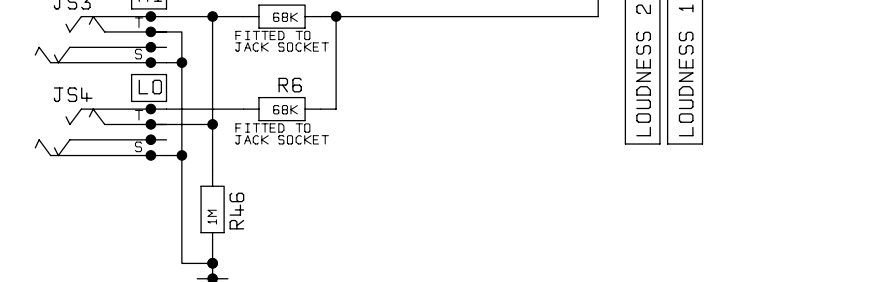
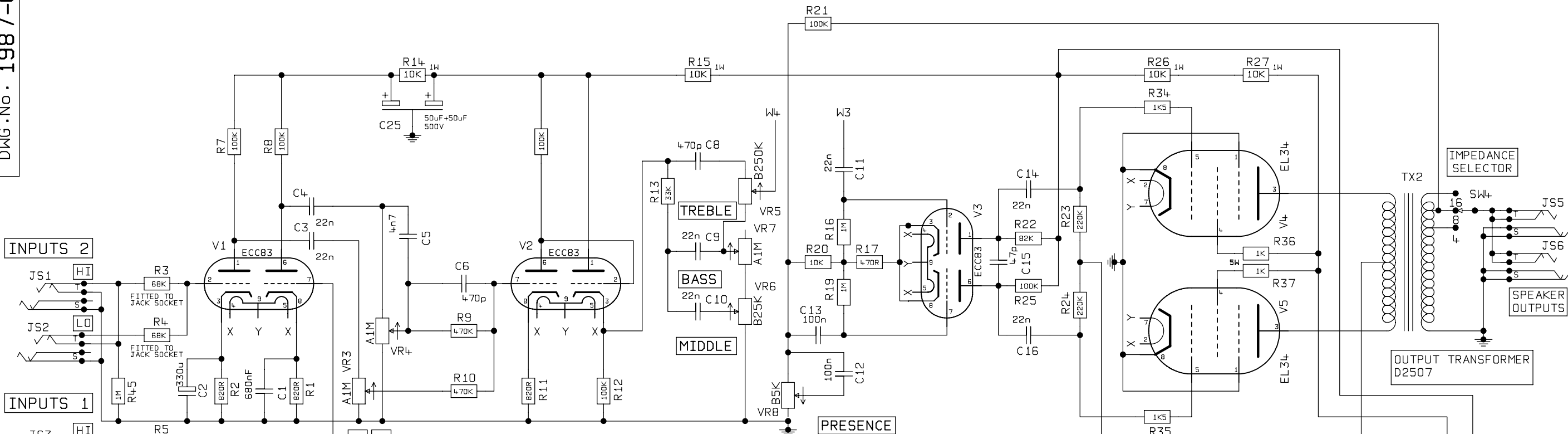
**Marshall**


COPYRIGHT EXISTS ON THIS DOCUMENT. IT MUST NOT BE USED FOR ANY PURPOSE OTHER THAN THAT FOR WHICH IT IS SUPPLIED AND MUST NOT BE COPIED IN WHOLE OR IN PART WITHOUT WRITTEN PERMISSION FROM

© MARSHALL AMPLIFICATION PLC  
DOWNS ROAD, BLETCHLEY, MILTON KEYNES, NGL 10B.  
TEL (0908) 376111 FAX (0908) 376110

TITLE	CCT DIAGRAM
2 OF 2	A3
DWG. No	87X-60-02
ISSUE	6

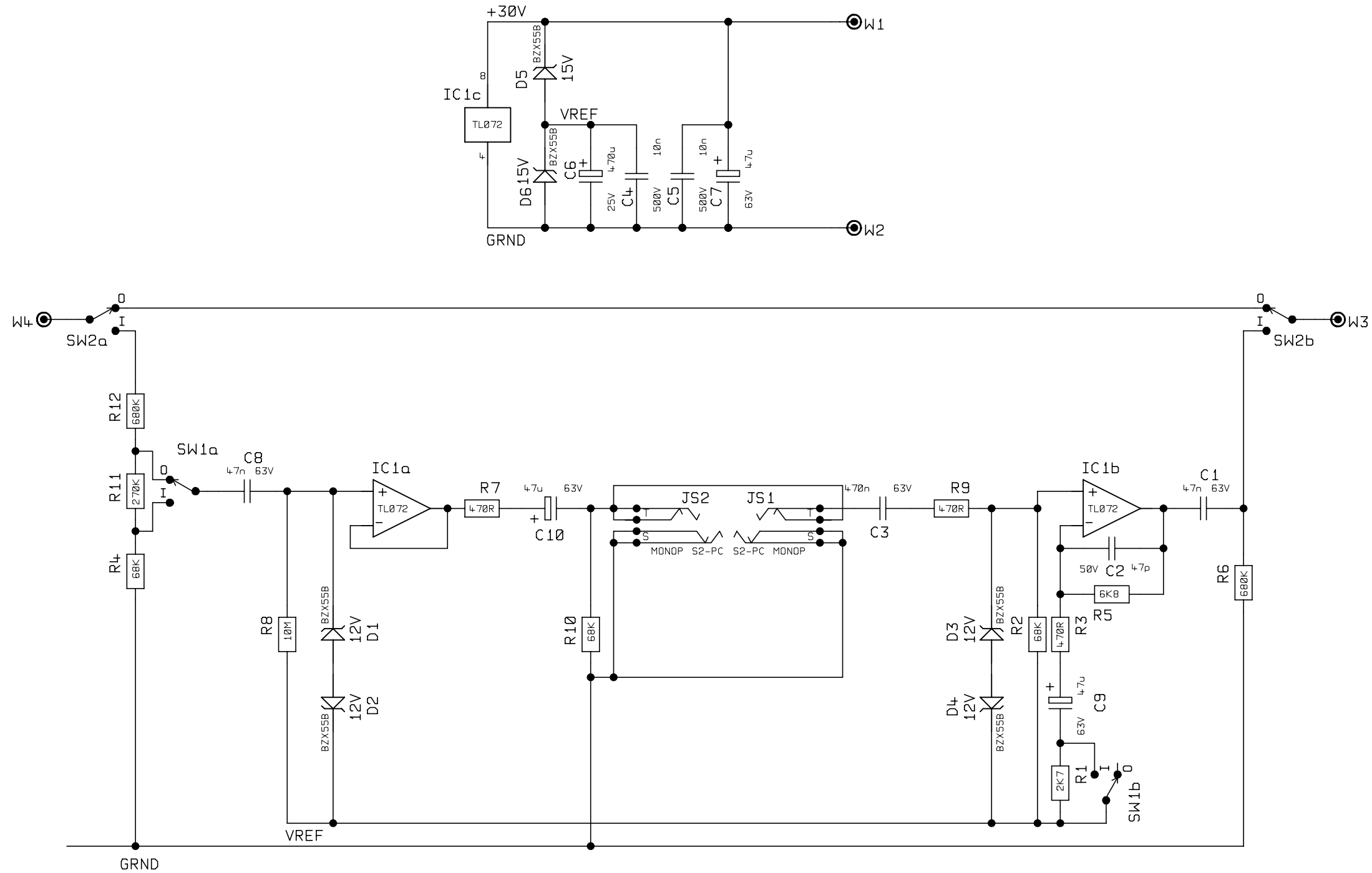
DWG.No. 1987-01-60-02



DRAWN M BALLINGER	DATE 5-3-02	4	2382	29-4-03	 MARSHALL AMPLIFICATION PLC DENBIGH ROAD, BLETCHLEY, MILTON KEYNES, MK1 1QJ. TEL (01908) 375411 FAX (01908) 376118	TITLE CIRCUIT DIAG
MODEL 1987X-01		3	2139	24-6-02		DWG.No 1987-01-60-02
		2	2100	28-3-02		ISS 4
		ISS	ECO NUMBER	DATE		

ignorelayers 4

DWG.No. PCBP-00119-60-02



DRAWN	DATE		
MODEL	1959-01/1987-01		
	2203-01/2203ZW		
ISS	ECO NUMBER	DATE	



TITLE	EFFECTS LOOP CIRCUIT
DWG.No	PCBP-00119-60-02
ISS	1