

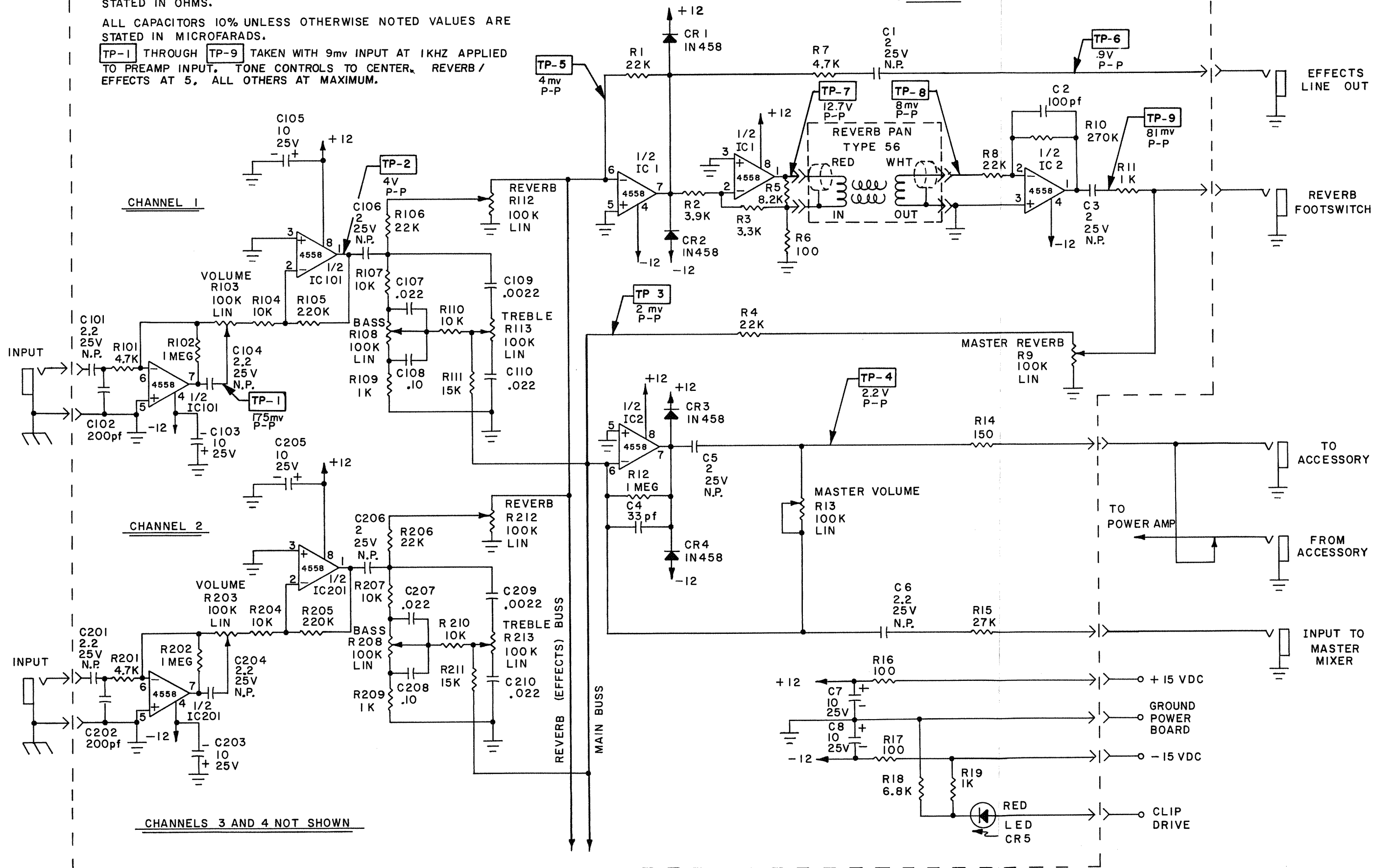
NOTES

ALL RESISTORS 1/2W, 5% UNLESS OTHERWISE NOTED VALUES ARE STATED IN OHMS.

ALL CAPACITORS 10% UNLESS OTHERWISE NOTED VALUES ARE STATED IN MICROFARADS.

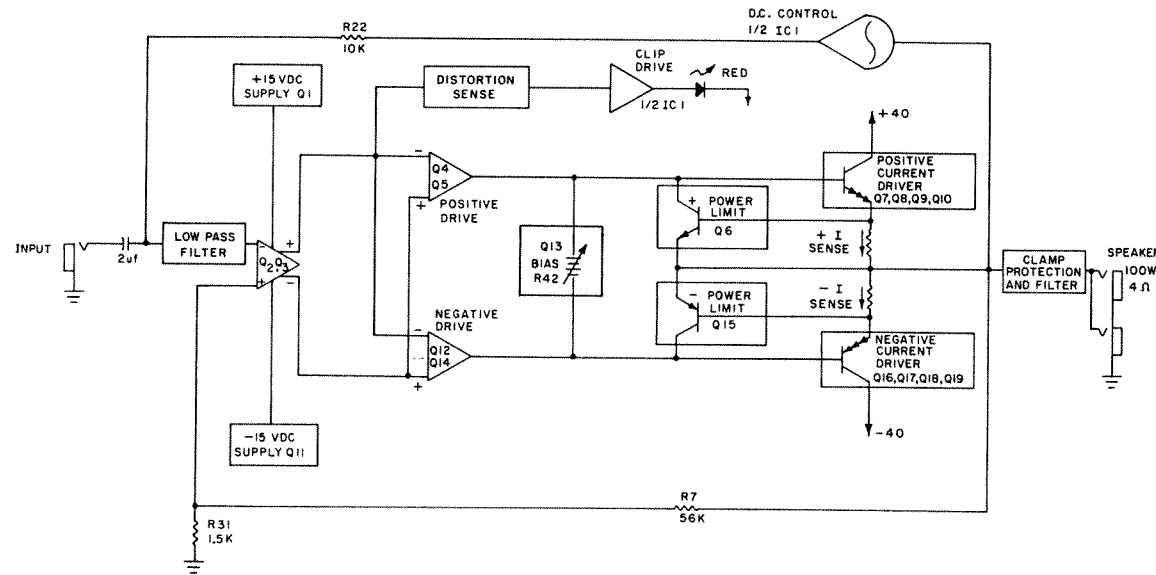
TP-1 THROUGH TP-9 TAKEN WITH 9mv INPUT AT 1KHZ APPLIED TO PREAMP INPUT. TONE CONTROLS TO CENTER, REVERB/EFFECTS AT 5, ALL OTHERS AT MAXIMUM.

ALPHA 4 PRE AMP SCHEMATIC

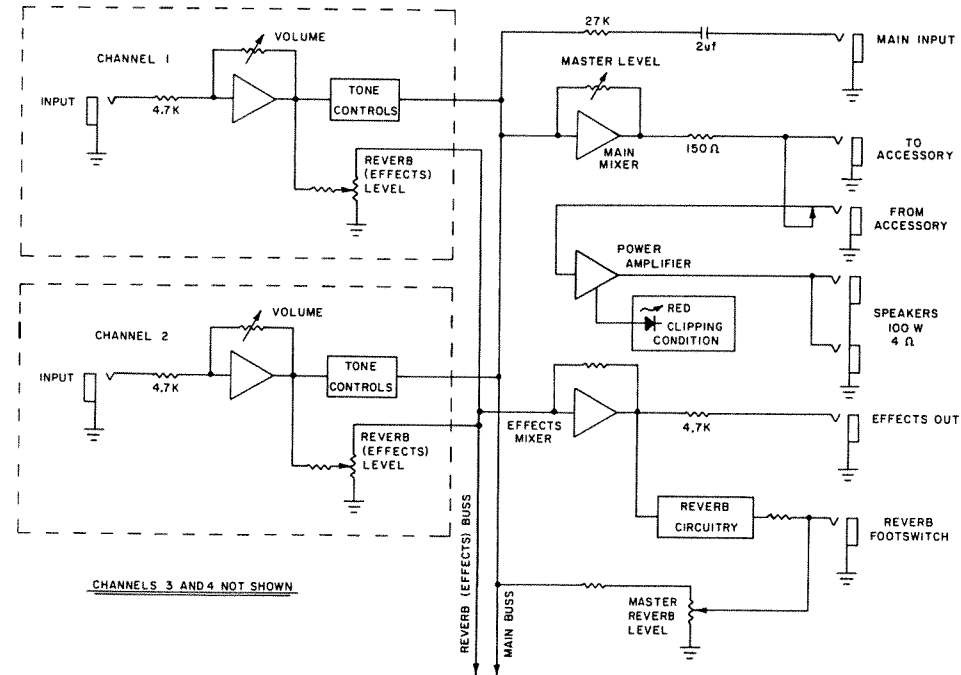


Alpha Series Block Diagrams

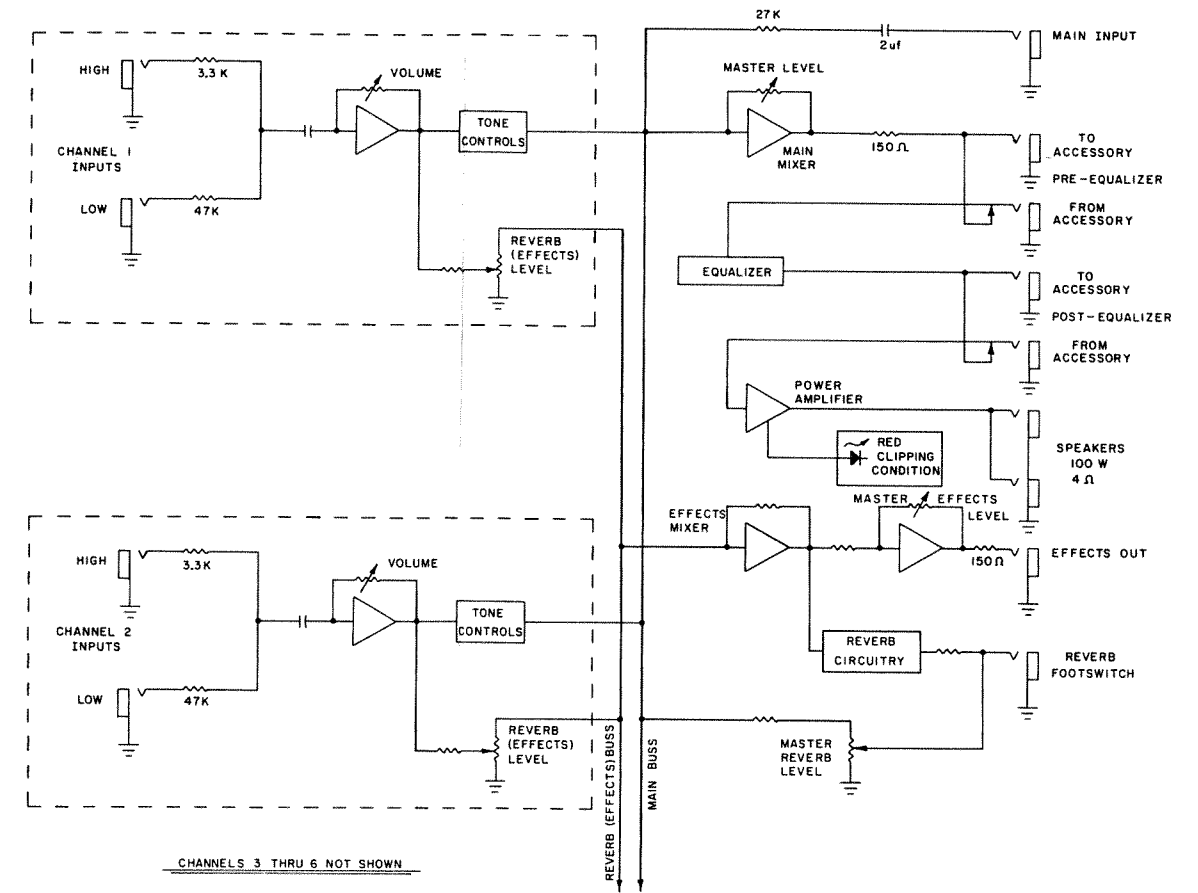
ALPHA POWER AMP



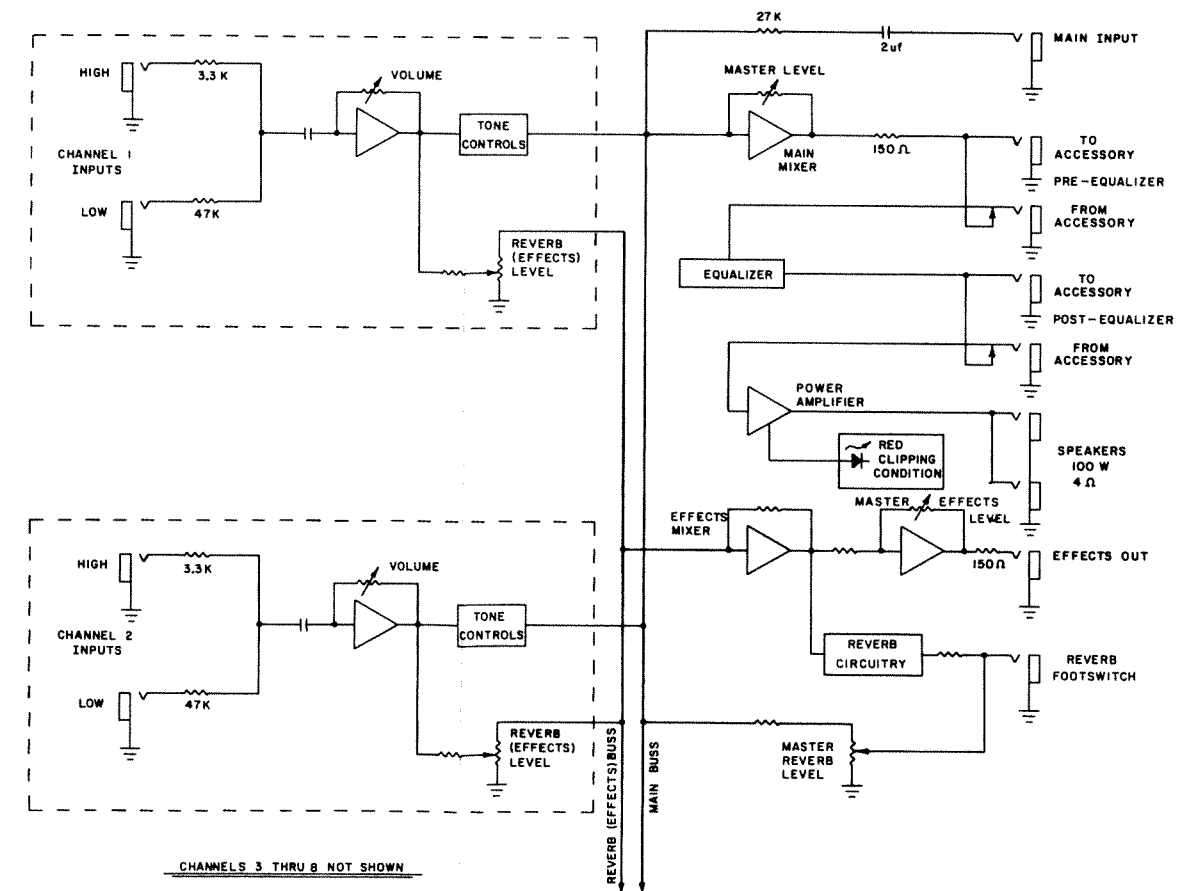
ALPHA FOUR

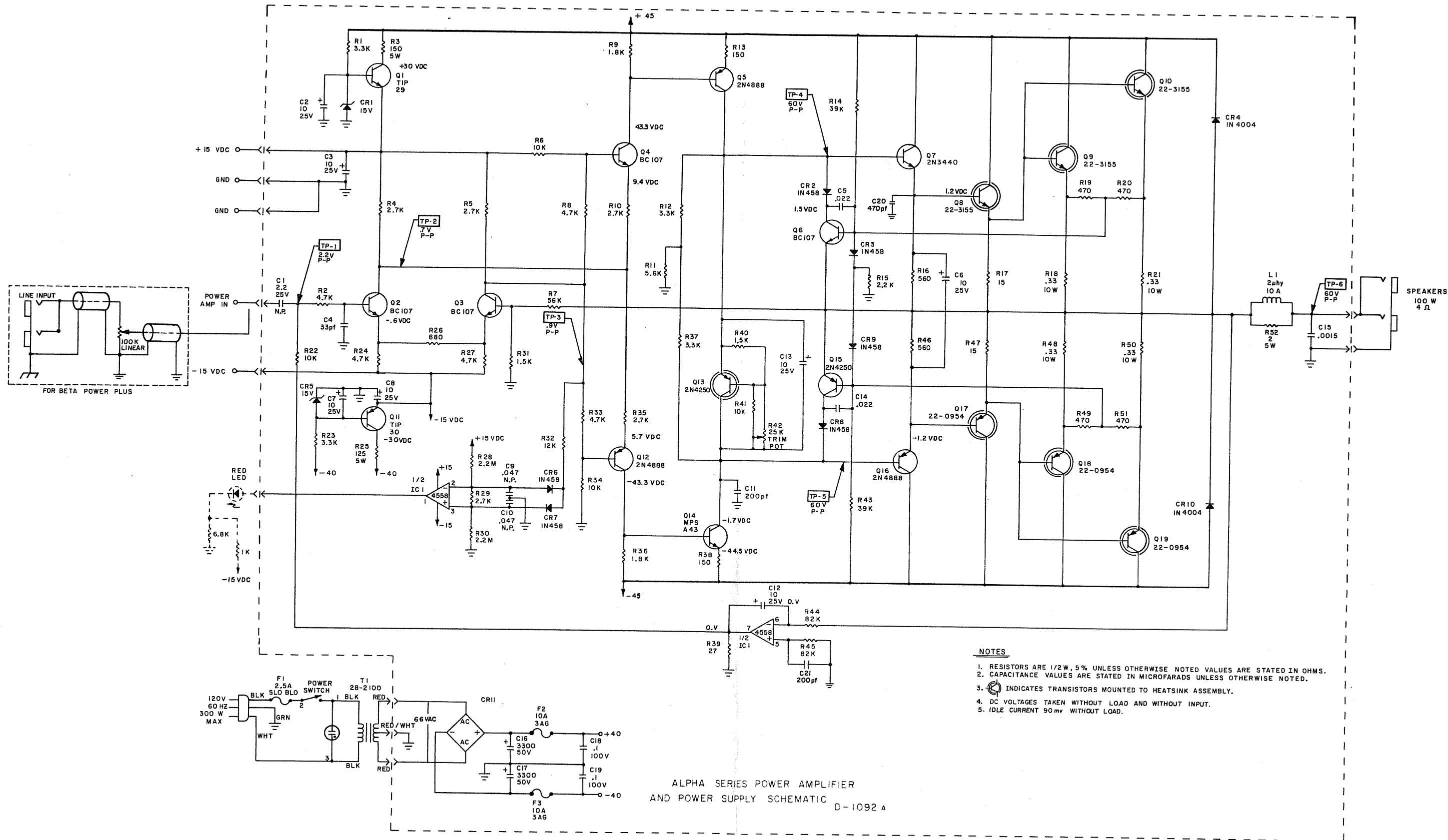


ALPHA SIX



ALPHA EIGHT





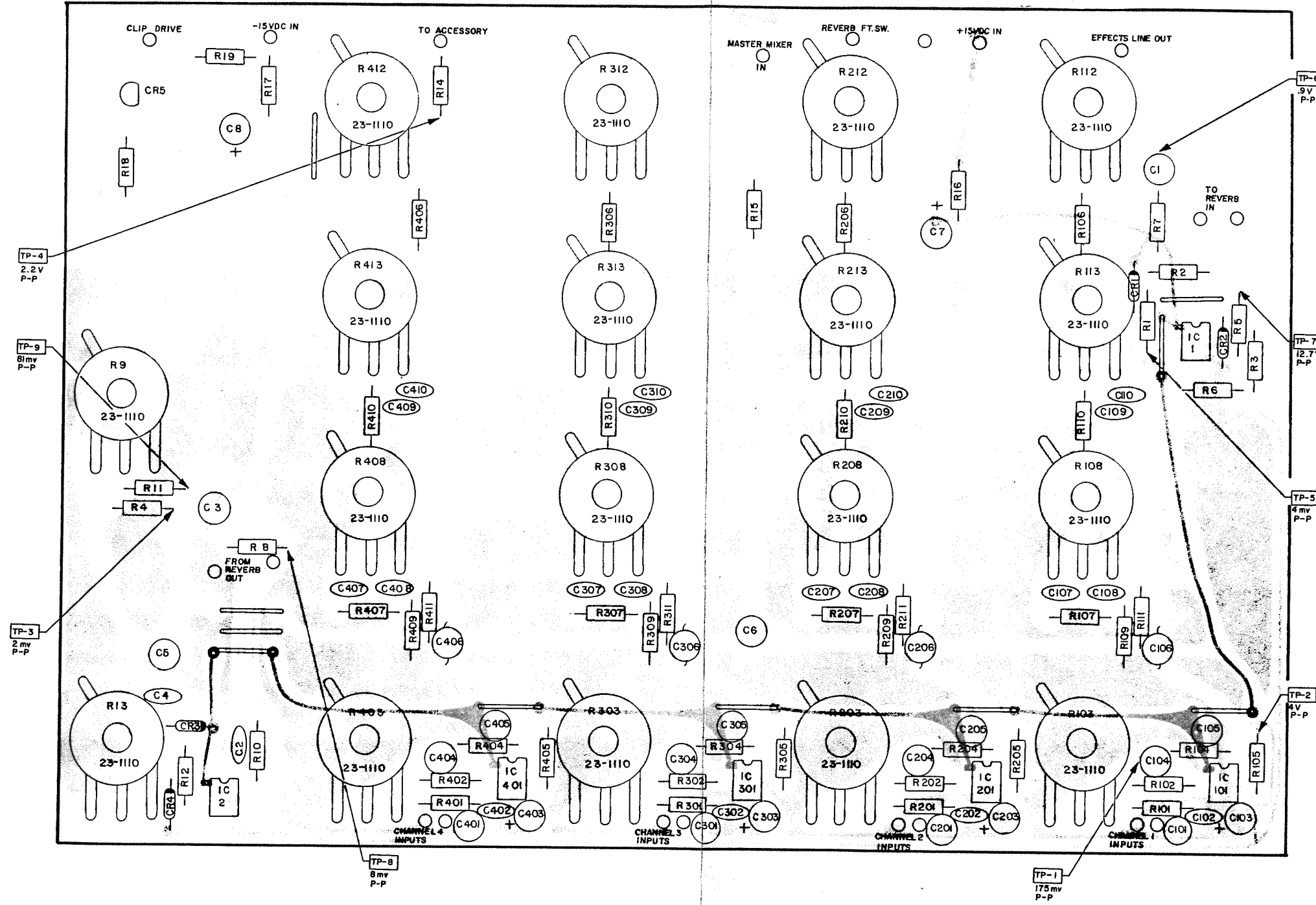
- NOTES**
1. RESISTORS ARE 1/2W, 5% UNLESS OTHERWISE NOTED VALUES ARE STATED IN OHMS.
 2. CAPACITANCE VALUES ARE STATED IN MICROFARADS UNLESS OTHERWISE NOTED.
 3. INDICATES TRANSISTORS MOUNTED TO HEATSINK ASSEMBLY.
 4. DC VOLTAGES TAKEN WITHOUT LOAD AND WITHOUT INPUT.
 5. IDLE CURRENT 90mv WITHOUT LOAD.

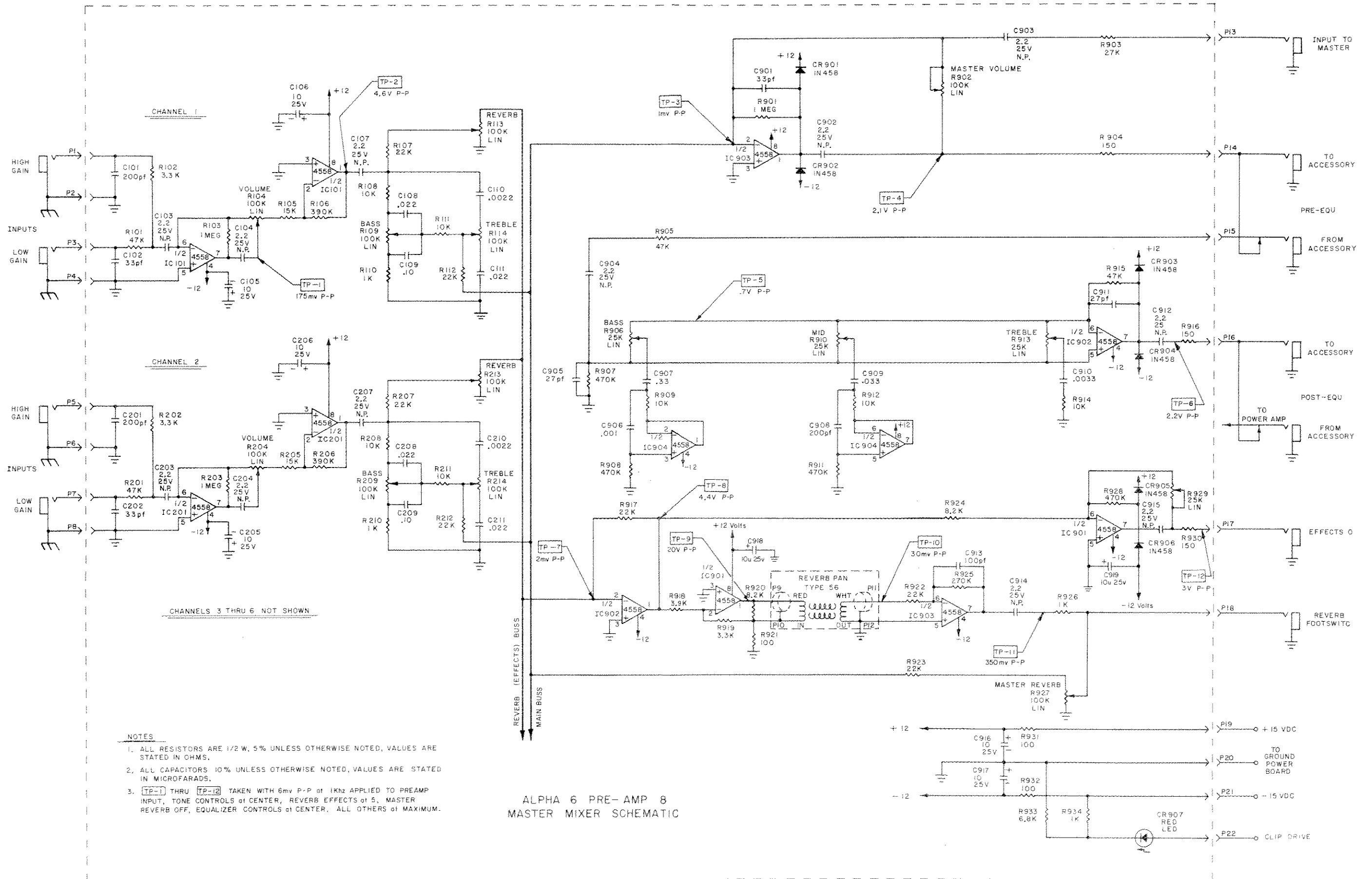
ALPHA SERIES POWER AMPLIFIER
AND POWER SUPPLY SCHEMATIC D-1092 A

Conductor View

Alpha Four Preamp
32-2115-00

- + 40 vdc — Red
- + 15 vdc — Medium Red
- 40 vdc — Green
- 15 vdc — Medium Green
- Signal — Blue
- Ground — Light Gray
- Component — Black





- NOTES
1. ALL RESISTORS ARE 1/2 W, 5% UNLESS OTHERWISE NOTED, VALUES ARE STATED IN OHMS.
 2. ALL CAPACITORS 10% UNLESS OTHERWISE NOTED, VALUES ARE STATED IN MICROFARADS.
 3. TP-1 THRU TP-12 TAKEN WITH 6mv P-P AT 1Khz APPLIED TO PREAMP INPUT, TONE CONTROLS at CENTER, REVERB EFFECTS at 5, MASTER REVERB OFF, EQUALIZER CONTROLS at CENTER, ALL OTHERS at MAXIMUM.

ALPHA 6 PRE-AMP 8
MASTER MIXER SCHEMATIC