

**NOTES**

- 1) CAUTION: SHOCK HAZARD!!!  
THIS UNIT CONTAINS HAZARDOUS VOLTAGE. DISCONNECT POWER AND BE SURE POWER SUPPLY IS DISCHARGED BEFORE TOUCHING INTERNAL PARTS.
- 2) UNLESS NOTED, RESISTOR VALUES IN OHMS, 1/4W-5% TOL. CAPACITOR VALUES IN MICROFARADS, 50V-10% TOL.
- 3) VOLTAGES ARE MEASURED WITH 1 MEGOHM OSCILLOSCOPE AND 10 MEGOHM DIGITAL VOLTMETER.
- 4) CIRCUIT GROUND  $\text{---}$  CHASSIS GROUND  $\text{---}$
- 5) SET BIAS TO 15mV FOR MOTOROLA OUTPUT TRANSISTORS, (10mV FOR TI) ACROSS R65 OR R66 WITH NO SIGNAL AND 4Ω LOAD.

**CAUTION:**

THIS SCHEMATIC IS PROVIDED FOR USE BY QUALIFIED PERSONNEL. TO AVOID RISK OF ELECTRIC SHOCK, REFER SERVICING TO QUALIFIED SERVICE PERSONNEL. DO NOT PERFORM ANY SERVICING BEYOND THAT EXPLAINED IN THE OPERATING INSTRUCTIONS.

DESIGNATOR	DESCRIPTION	PART NO.
D1,2	1N754	21A754-01
D3,4	1N746	21A146-01
D5,6,9	1N914	21A914-01
D7	G1752	21-752-01
D10-13	1N5392	21-553-01
D14,15	1N5353B	21A407-01
D16	1N4007	21A437-01
D17	1N4737	21-224-01
D18	RED R/A LED	21A440-01
D19	1N4740	21A437-01
D20	1N4737	21A437-01
Q1-5	J112 N-CH FET	96-112-01
Q6	J176 FET	96-176-01
Q7,8,13,14	2N5087	96-587-01
Q9	2N3440	96-340-01
Q10	2N3402	96-342-01
Q11	TIP 120	96-120-01
Q12	TIP 125	96-125-01
IC1	RC4558	37-458-01
IC2	TLD-72CP	37-072-01
IC3	5552	37-552-01
P1	100KRA	70-104-23
P2,6	10KA POT	70-103-22
P3	50KL POT	70-133-01
P4,5	250KA POT	70-254-22
P7	250KA POT	70-306-01
P8	10KL POT	70-132-01
AP1	500 ohm TRIMPOT	71-501-02
J1,2,4	CLIFF T/R/S JACK	39-117-01
J3	CLIFF T/S JACK	39-116-01
J5-10,	.187 ST. PC TAB	17-894-01
J11-15,17-	.250 M FASTON TAB	17-836-01
20,22-26	PC SWITCH-BLACK	88-302-03
S1,2	3A SB FUSE	23-303-05
F1	1/2 AMP RG BLW FUSE	23-300-01
F2	1 AMP RG BLW FUSE	23-301-01
F3		

REV	DATE	BY	CHK'D	DESCRIPTION
A	02/14/91	MCA		ADD R18, R20, R21, CHANGE VALUE OF R83 DELETE R87, CHANGE VALUE OF R83

SIGNATURES:	DATE:
ML	08/15/90
JC	08/31/90
JC	08/31/90

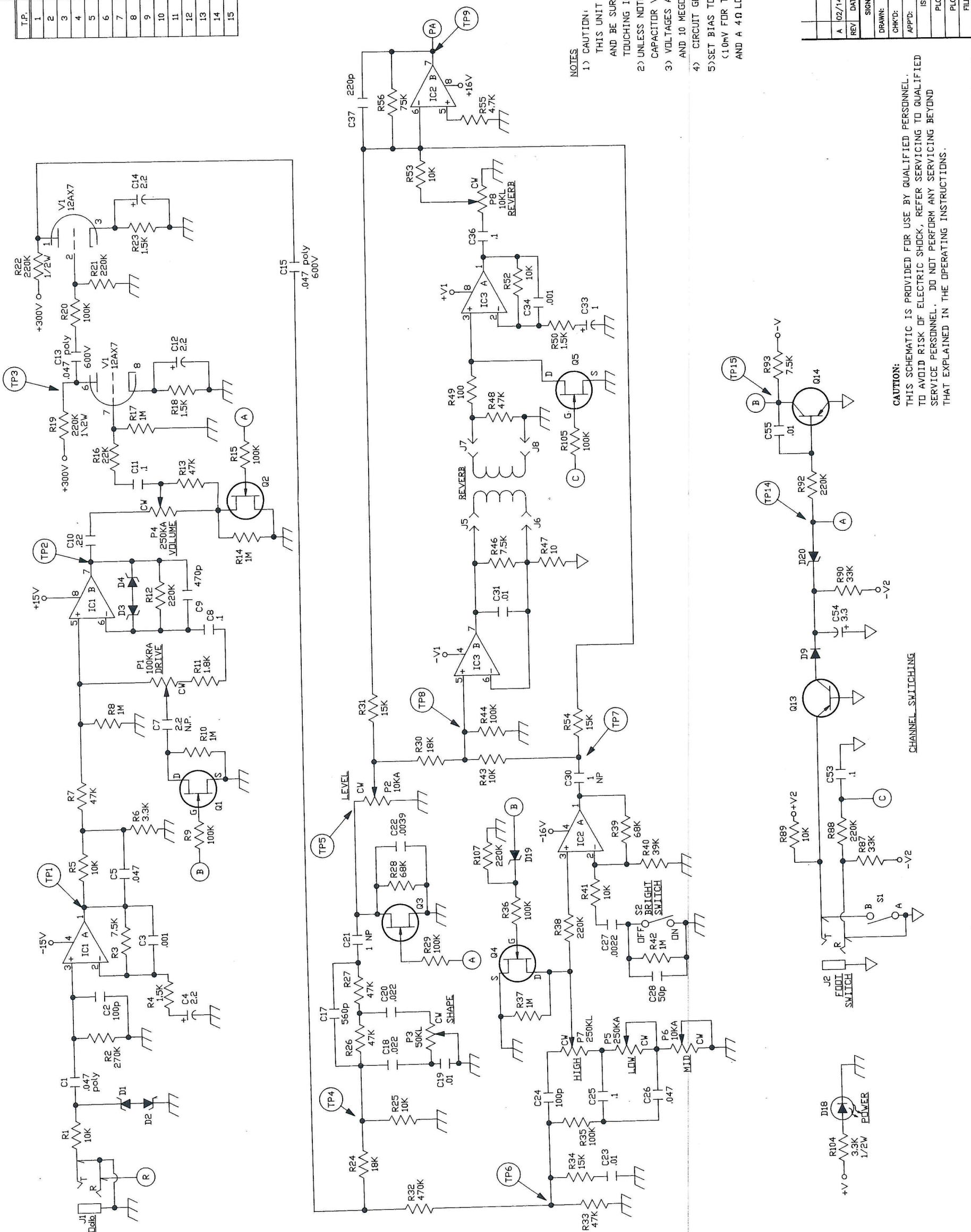
PROJECT NAME:	DRAWING NAME:
TD-35 AMP	SCHEMATIC

PLOT DATE:	DRAWING NO.	SCALE:	SHEET:
02/14/91	16-135-01	NONE	2 of 2

EXPORT WIRING

T.P.	CONDITIONS-CH. A		CONDITIONS-CH. B	
	WAVE	VOLTAGES	WAVE	VOLTAGES
1	~	30mVp-p	~	84mVp-p
2	~	.72Vp-p	~	48mVp-p
3	~	30Vp-p/132VDC	~	2.6Vp-p/132VDC
4	~	14Vp-p	~	—
5	~	.2Vp-p	~	.55Vp-p
6	~	—	~	200mVp-p
7	~	—	~	120mVp-p
8	~	100mVp-p	~	2Vp-p
9	~	2.6Vp-p	~	32Vp-p
10	~	37Vp-p	~	+21VDC
11	~	+22VDC	~	-21VDC
12	~	-22VDC	~	+280VDC
13	~	+280VDC	~	-10.5VDC
14	~	-10.5VDC	~	0
15	~	0	~	-16VDC

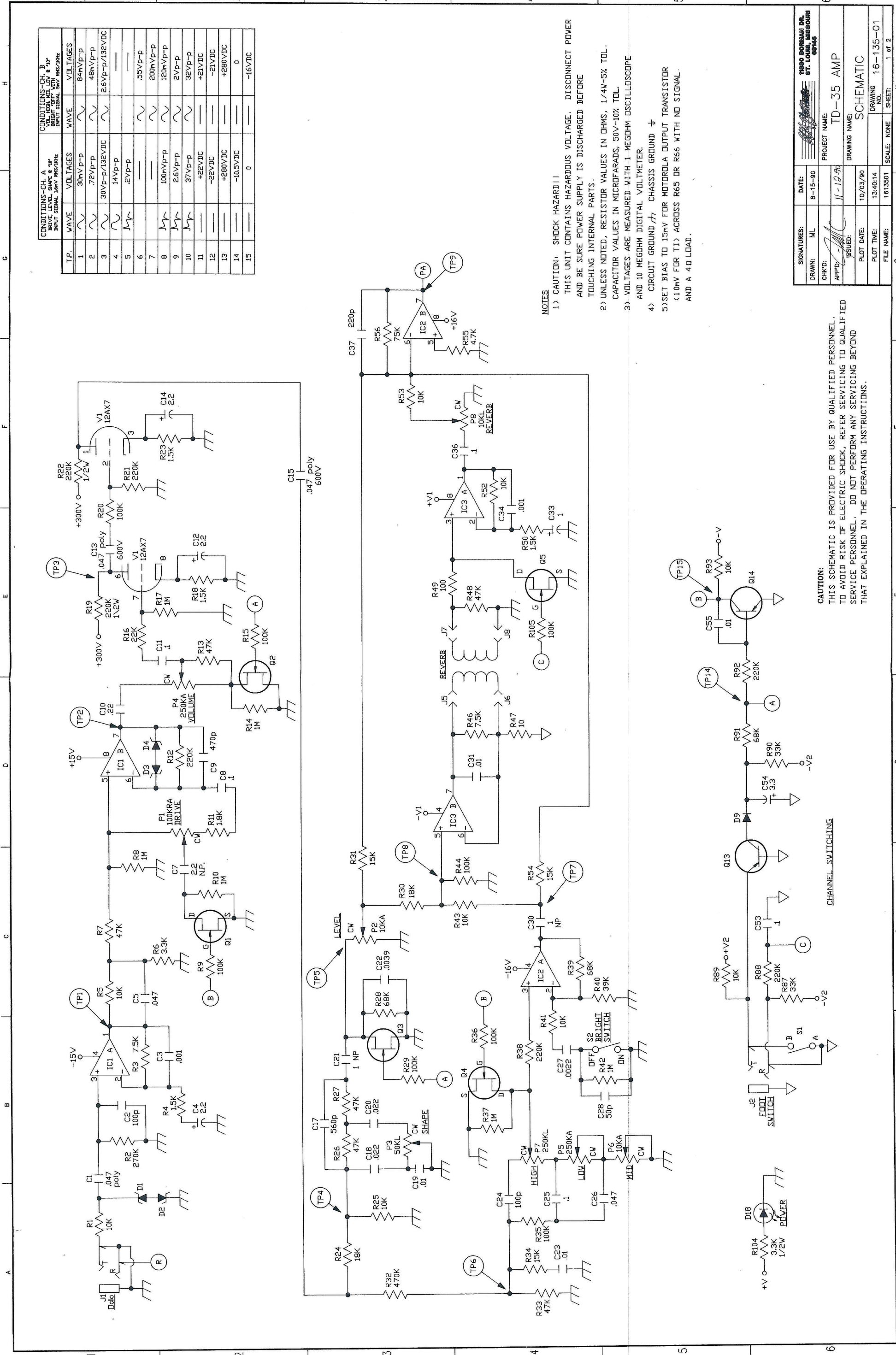


**NOTES**  
 1) CAUTION: SHOCK HAZARD!! THIS UNIT CONTAINS HAZARDOUS VOLTAGE. DISCONNECT POWER AND BE SURE POWER SUPPLY IS DISCHARGED BEFORE TOUCHING INTERNAL PARTS.  
 2) UNLESS NOTED, RESISTOR VALUES IN OHMS, 1/4W-5% TOL. CAPACITOR VALUES IN MICROFARADS, 50V-10% TOL.  
 3) VOLTAGES ARE MEASURED WITH 1 MEGOHM OSCILLOSCOPE AND 10 MEGOHM DIGITAL VOLTMETER.  
 4) CIRCUIT GROUND  $\perp$  CHASSIS GROUND  $\perp$   
 5) SET BIAS TO 15mV FOR MOTOROLA OUTPUT TRANSISTOR (10mV FOR TI) ACROSS R65 OR R66 WITH NO SIGNAL AND A 4  $\Omega$  LOAD.

**CAUTION:**  
 THIS SCHEMATIC IS PROVIDED FOR USE BY QUALIFIED PERSONNEL. TO AVOID RISK OF ELECTRIC SHOCK, REFER SERVICING TO QUALIFIED SERVICE PERSONNEL. DO NOT PERFORM ANY SERVICING BEYOND THAT EXPLAINED IN THE OPERATING INSTRUCTIONS.

REV	DATE	BY	CHK'D	DESCRIPTION
A	02/14/91	MGA		ADD R10, R107, R107 CHANGE VALUE OF R93

SIGNATURES:	DATE:	PROJECT NAME:
DRAWN: ML	08/15/90	TD-35 AMP
CHK'D: JC	08/31/90	DRAWING NAME:
APP'D: JC	08/31/90	SCHEMATIC
ISSUED:	PLOT DATE:	
	02/14/91	
PLOT TIME:	11:10:34	
FILE NAME:	-13501A	



CONDITIONS-CH. A		CONDITIONS-CH. B	
WAVE	VOLTAGES	WAVE	VOLTAGES
1	30mVp-p	1	84mVp-p
2	.72Vp-p	2	48mVp-p
3	30Vp-p/132VDC	3	2.6Vp-p/132VDC
4	14Vp-p	4	
5	.2Vp-p	5	55Vp-p
6		6	200mVp-p
7		7	120mVp-p
8	100mVp-p	8	2Vp-p
9	2.6Vp-p	9	82Vp-p
10	37Vp-p	10	+21VDC
11		11	-22VDC
12		12	+280VDC
13		13	-10.5VDC
14		14	0
15		15	-16VDC

**NOTES**

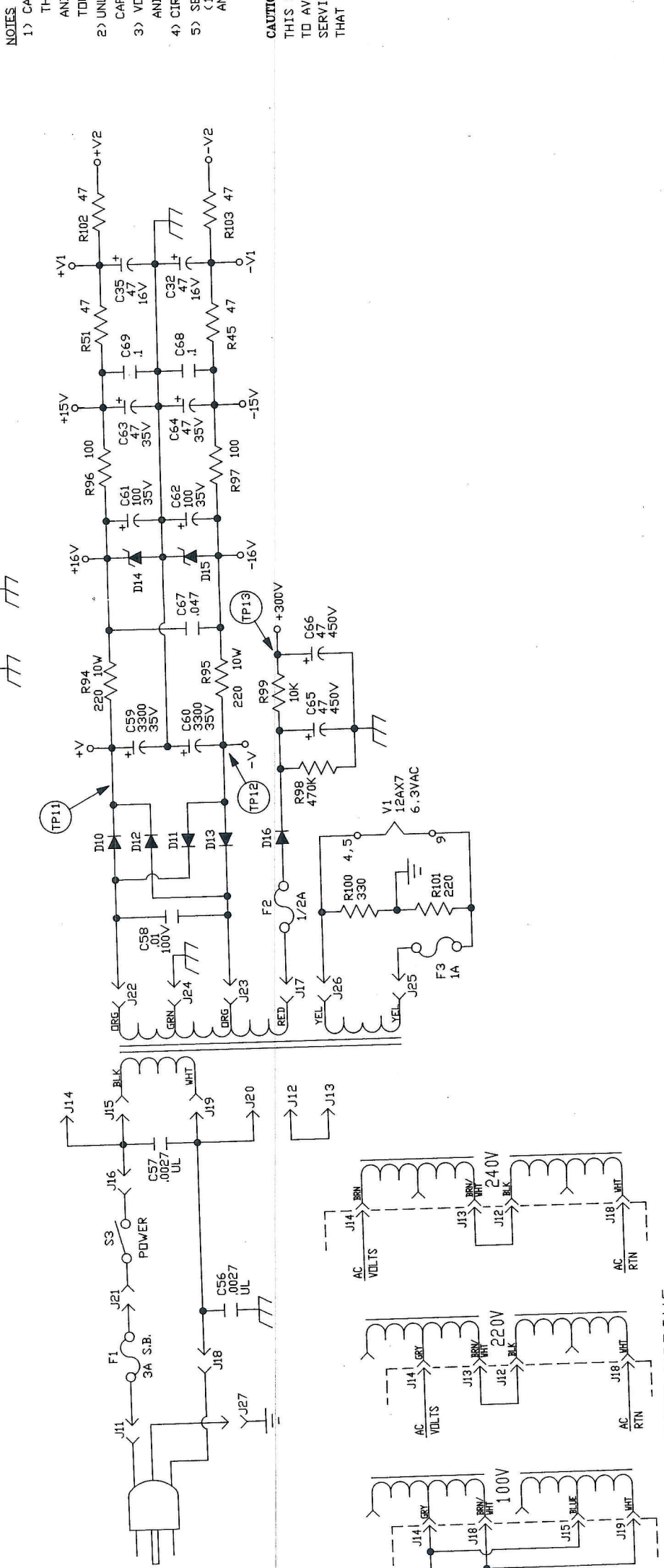
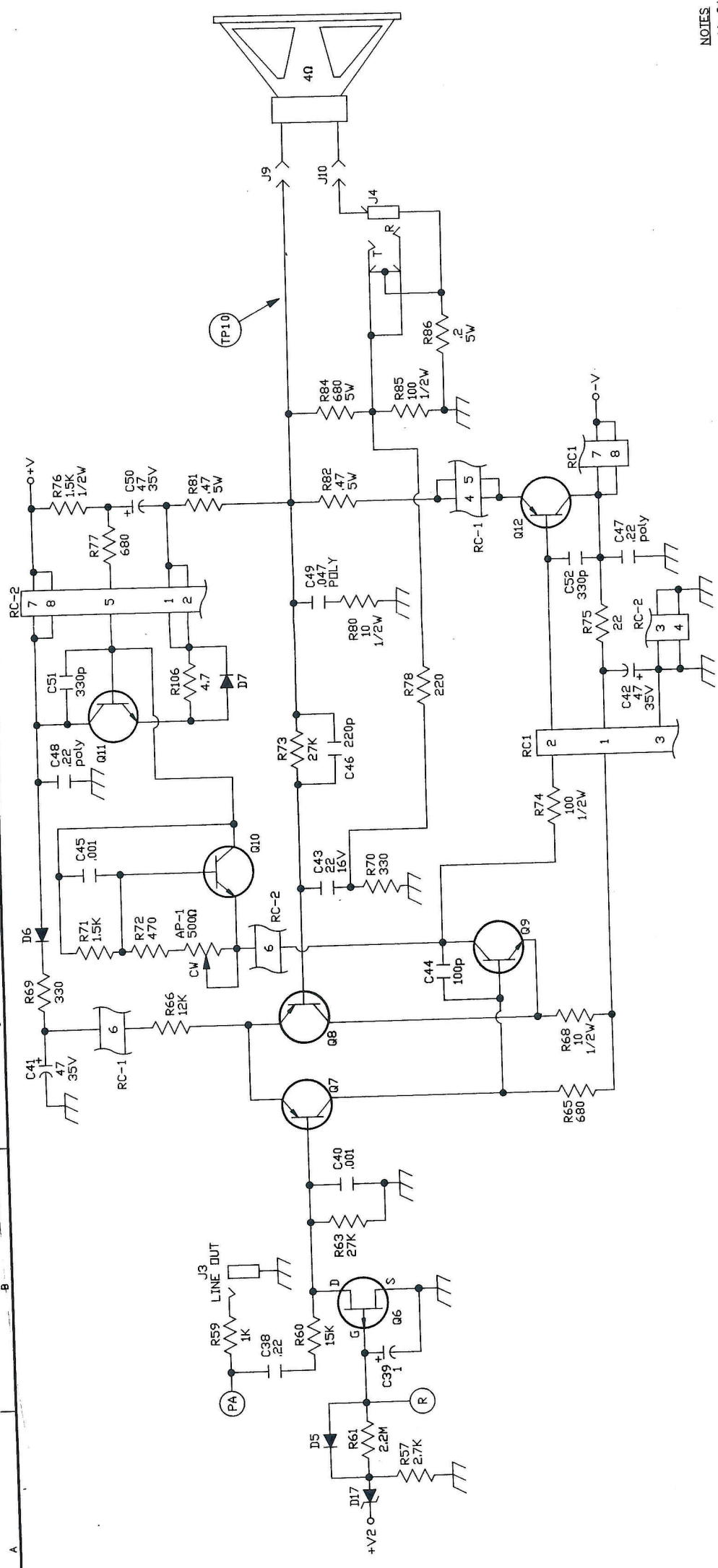
- 1) CAUTION! SHOCK HAZARD!! THIS UNIT CONTAINS HAZARDOUS VOLTAGE. DISCONNECT POWER AND BE SURE POWER SUPPLY IS DISCHARGED BEFORE TOUCHING INTERNAL PARTS.
- 2) UNLESS NOTED, RESISTOR VALUES IN OHMS, 1/4W-5% TOL. CAPACITOR VALUES IN MICROFARADS, 50V-10% TOL.
- 3) VOLTAGES ARE MEASURED WITH 1 MEGOHM OSCILLOSCOPE AND 10 MEGOHM DIGITAL VOLTMETER.
- 4) CIRCUIT GROUND // CHASSIS GROUND
- 5) SET BIAS TO 15mV FOR MOTOROLA OUTPUT TRANSISTOR (10mV FOR TI) ACROSS R65 DR R66 WITH NO SIGNAL. AND A 4.0 LOAD.

**CAUTION:**  
THIS SCHEMATIC IS PROVIDED FOR USE BY QUALIFIED PERSONNEL. TO AVOID RISK OF ELECTRIC SHOCK, REFER SERVICING TO QUALIFIED SERVICE PERSONNEL. DO NOT PERFORM ANY SERVICING BEYOND THAT EXPLAINED IN THE OPERATING INSTRUCTIONS.

SIGNATURES:	DATE:	8-15-90
DRAWN: ML	PROJECT NAME:	TD-35 AMP
CHK'D:	ISSUED:	11-12-79
APPLY:	PLOT DATE:	10/03/90
	PLOT TIME:	13:40:14
	FILE NAME:	1613501
	SCALE:	NONE
	SHEET:	1 of 2

H  
G  
F  
E  
D  
C  
B  
A

DESIGNATOR	DESCRIPTION	PART NO.
D1,2	1N754	21A754-01
D3,4	1N746	21A146-01
D5,6,9	1N914	21A914-01
D7	G1752	21-752-01
D10-13	1N5392	21A192-01
D14,15	1N5353B	21-553-01
D16	1N4007	21A407-01
D17	1N4737	21A437-01
D18	RED R/A LED	21-224-01
Q1-5	J112 N-CH FET	96-112-01
Q6	J176 FET	96-176-01
Q7,8,13,14	2N5087	96-587-01
Q9	2N3440	96-340-01
Q10	2N3402	96-342-01
Q11	TIP 120	96-120-01
Q12	TIP 125	96-125-01
IC1	RC4558	37-458-01
IC2	TLD-72CP	37-072-01
IC3	5532	37-552-01
P1	100KRA	70-104-23
P2,6	10KA PDT	70-103-22
P3	50KL PDT	70-133-01
P4,5	250KA PDT	70-254-22
P7	250KL PDT	70-306-01
P8	10KL PDT	70-132-01
AP1	500 ohm TRIMPOT	71-501-02
J1,2,4	CLIFF T/R/S JACK	39-117-01
J3	CLIFF T/S JACK	39-116-01
J5-10,16,21	.187 ST. PC TAB	17-894-01
J11-15,17-20,22-26	.250 M FASTON TAB	17-836-01
S1,2	PC SWITCH-BLACK	88-302-03
F1	3A SB FUSE	23-303-05
F2	1/2 AMP RG BLW FUSE	23-300-01
F3	1 AMP RG BLW FUSE	23-301-01



- NOTES**
- 1) CAUTION: SHOCK HAZARD!! THIS UNIT CONTAINS HAZARDOUS VOLTAGE. DISCONNECT POWER AND BE SURE POWER SUPPLY IS DISCHARGED BEFORE TOUCHING INTERNAL PARTS.
  - 2) UNLESS NOTED, RESISTOR VALUES IN OHMS, 1/4W-5% TOL. CAPACITOR VALUES IN MICROFARADS, 50V-10% TOL.
  - 3) VOLTAGES ARE MEASURED WITH 1 MEGOHM OSCILLOSCOPE AND 10 MEGOHM DIGITAL VOLTMETER.
  - 4) CIRCUIT GROUND  $\neq$  CHASSIS GROUND  $\neq$
  - 5) SET BIAS TO 15mV FOR MOTOROLA OUTPUT TRANSISTORS. (10mV FOR TI) ACROSS R65 DR R66 WITH NO SIGNAL AND 40 LOAD.

**CAUTION:**  
THIS SCHEMATIC IS PROVIDED FOR USE BY QUALIFIED PERSONNEL. TO AVOID RISK OF ELECTRIC SHOCK, REFER SERVICING TO QUALIFIED SERVICE PERSONNEL. DO NOT PERFORM ANY SERVICING BEYOND THAT EXPLAINED IN THE OPERATING INSTRUCTIONS.

SIGNATURES:	DATE:	8-15-90
DRAWN: ML	PROJECT NAME:	TD-35 AMP
CHK'D:	ISSUED:	11-9-90
APP'D:	PLOT DATE:	10/01/90
	PLOT TIME:	10:28:52
	FILE NAME:	16135011
	SCALE:	NONE
	SHEET:	2 of 2

EXPORT WIRING

H  
F  
E  
D  
C  
B  
A