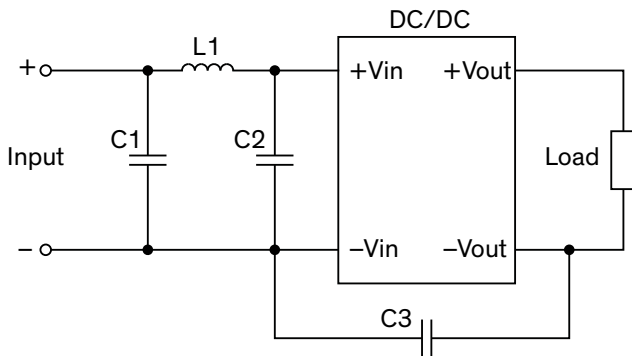


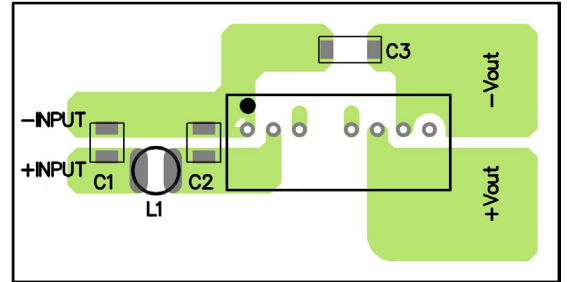
EMI Consideration

Suggested filter to comply with EN 55032 Class A limits

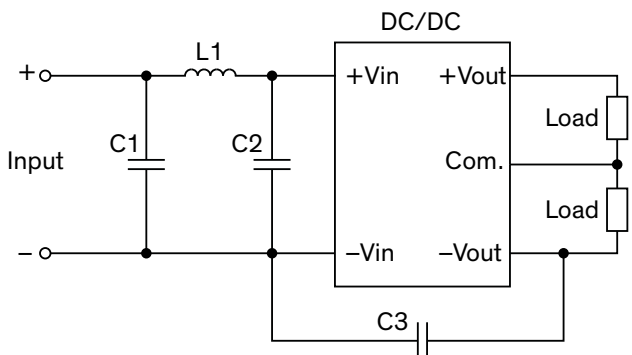
Single output models



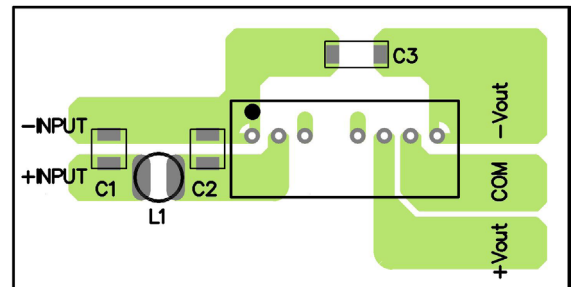
PCB layout suggestion



Dual output models



PCB layout suggestion



Suggested components to comply with EN 55032 Class A limits

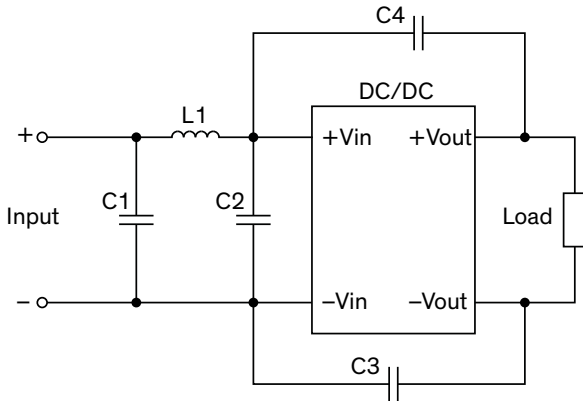
Model	C1	C2	C3	L1
TEC 3-09xx	10 μ F / 16 V 1206 MLCC	10 μ F / 16 V 1206 MLCC	150 pF / 2 kV 1206 MLCC	4.7 μ H / 1.15 A SMD-Inductor TCK-154
TEC 3-12xx	10 μ F / 25 V 1206 MLCC	4.7 μ F / 25 V 1206 MLCC	150 pF / 2 kV 1206 MLCC	4.7 μ H / 1.15 A SMD-Inductor TCK-154
TEC 3-24xx	2.2 μ F / 50 V 1206 MLCC	N/A	150 pF / 2 kV 1206 MLCC	68 μ H / 0.37 A SMD-Inductor TCK-133
TEC 3-48xx	2.2 μ F / 100 V 1206 MLCC	N/A	150 pF / 2 kV 1206 MLCC	68 μ H / 0.37 A SMD-Inductor TCK-133

TCK-154 datasheet: www.tracopower.com/products/tck154.pdf

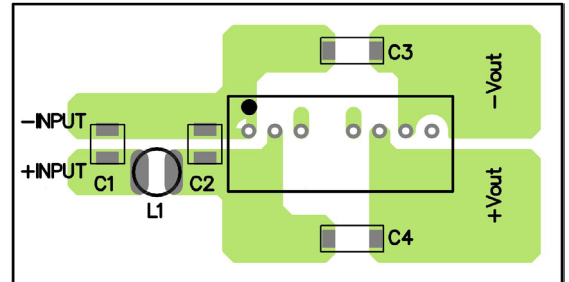
TCK-133 datasheet: www.tracopower.com/products/tck133.pdf

Suggested filter to comply with EN 55032 Class B limits

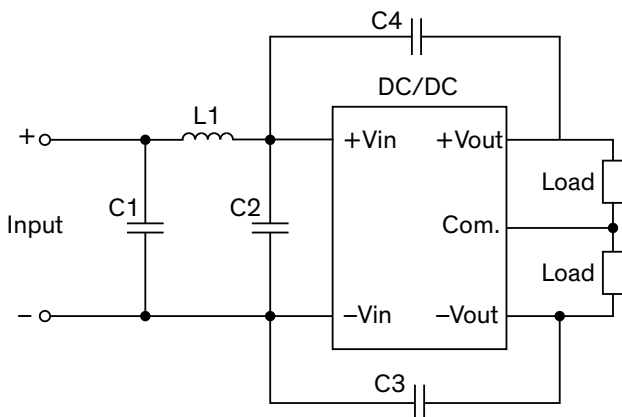
Single output models



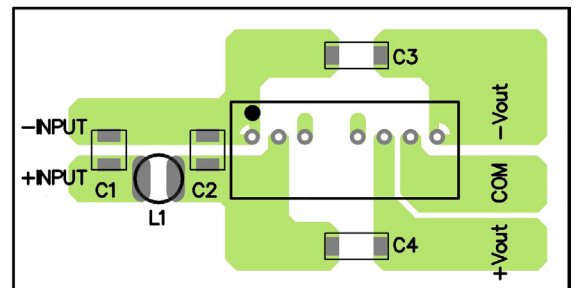
PCB layout suggestion



Dual output models



PCB layout suggestion



Suggested components to comply with EN 55032 Class B limits

Model	C1	C2	C3	C4	L1
TEC 3-09xx	22 μ F / 16 V 1206 MLCC	22 μ F / 16 V 1206 MLCC	220 pF / 2 kV 1206 MLCC	150 pF / 2 kV 1206 MLCC	4.7 μ H / 1.15 A SMD-Inductor TCK-154
TEC 3-12xx	10 μ F / 25 V 1206 MLCC	10 μ F / 25 V 1206 MLCC	220 pF / 2 kV 1206 MLCC	220 pF / 2 kV 1206 MLCC	4.7 μ H / 1.15 A SMD-Inductor TCK-154
TEC 3-24xx	2.2 μ F / 50 V 1206 MLCC	2.2 μ F / 50 V 1206 MLCC	220 pF / 2 kV 1206 MLCC	680 pF / 2 kV 1206 MLCC	68 μ H / 0.37 A SMD-Inductor TCK-133
TEC 3-48xx	2.2 μ F / 100 V 1206 MLCC	2.2 μ F / 100 V 1206 MLCC	680 pF / 2 kV 1206 MLCC	N/A	68 μ H / 0.37 A SMD-Inductor TCK-133

TCK-154 datasheet: www.tracopower.com/products/tck154.pdf

TCK-133 datasheet: www.tracopower.com/products/tck133.pdf