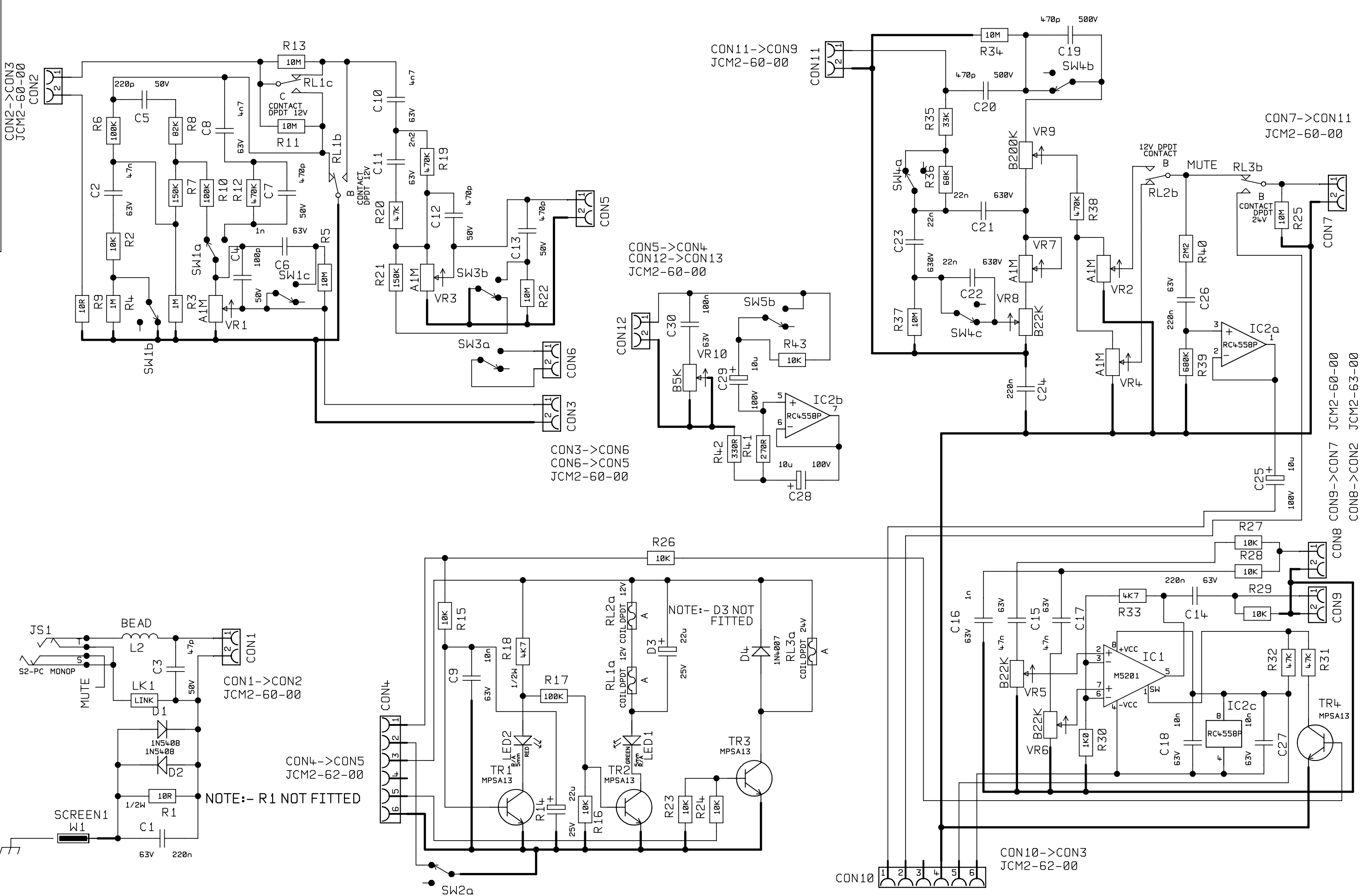


DWG.No. JCM2-61-00.DGM



5	1999	29/05/01	ALL OTHER HOLES =				X = (THROUGH PLATED)			
4	1786	16-3-99	A	E		J	N			
3	1553	15/12/97	B	F		K	P			
2	1502	1/10/97	C	G		L	Q			
ISS	ECO NUMBER	DATE	D	H		M	R			

MATERIAL		DIMENSIONS IN	
MATERIAL THICKNESS		TOLERANCE (UNLESS OTHERWISE STATED)	
DRAWN	SG	DATE	24_2_97
CHECKED		DATE	
APPROVED		DATE	

MODEL		JCM2000	
-------	--	---------	--



TITLE	JCM2000 SUPERLEAD STANDARD	
DWG.No	JCM2-61-00.DGM	ISS 5